



US00D458331S

(12) **United States Design Patent**  
**Wahl et al.**

(10) **Patent No.:** **US D458,331 S**

(45) **Date of Patent:** **\*\* Jun. 4, 2002**

(54) **GOLF CLUB PUTTER HEAD  
INCORPORATING FACE AND REAR WALL  
INSERTS**

(75) Inventors: **Bret Wahl**, Carlsbad; **Katrina Buerkle**,  
San Diego, both of CA (US)

(73) Assignee: **Taylor Made Golf Company, Inc.**,  
Carlsbad, CA (US)

(\*\*) Term: **14 Years**

(21) Appl. No.: **29/146,518**

(22) Filed: **Aug. 9, 2001**

(51) **LOC (7) Cl.** ..... **21-02**

(52) **U.S. Cl.** ..... **D21/759**

(58) **Field of Search** ..... D21/736-746,  
D21/753, 759; 473/324, 329-331, 340,  
341

(56) **References Cited**

**U.S. PATENT DOCUMENTS**

|             |           |                |         |
|-------------|-----------|----------------|---------|
| D57,980 S   | 5/1921    | Kraeuter       |         |
| D63,284 S   | 11/1923   | Challis        |         |
| 1,494,494 A | 5/1924    | Lippincott     |         |
| D79,684 S   | 10/1929   | Munro-Spencer  |         |
| D138,380 S  | 7/1944    | Myers et al.   |         |
| 5,104,457 A | 4/1992    | Viljoen et al. |         |
| D335,694 S  | * 5/1993  | Stuff          | D21/744 |
| 5,618,239 A | * 4/1997  | Rife           | 473/330 |
| D400,944 S  | * 11/1998 | Atonious       | D21/753 |
| D408,881 S  | * 4/1999  | Solheim et al. | D21/753 |
| D411,275 S  | 6/1999    | Bottema et al. |         |
| D415,809 S  | 10/1999   | Bottema et al. |         |
| D416,062 S  | 11/1999   | Solheim et al. |         |
| D416,969 S  | 11/1999   | Solheim et al. |         |
| D416,970 S  | 11/1999   | Solheim et al. |         |

|              |          |                |         |
|--------------|----------|----------------|---------|
| 5,997,414 A  | 12/1999  | Dalton         |         |
| D421,473 S   | 3/2000   | Solheim et al. |         |
| 6,083,117 A  | 7/2000   | Hsu            |         |
| 6,089,993 A  | 7/2000   | Woodward       |         |
| D430,914 S   | 9/2000   | Antonious      |         |
| D431,854 S   | 10/2000  | Cameron        |         |
| 6,224,497 B1 | * 5/2001 | Antonious      | 473/330 |
| D444,835 S   | 7/2001   | Wahl et al.    |         |

**OTHER PUBLICATIONS**

Advertisement for "Pixl Inserts" by Pixl Golf, 2000.  
Honma Club Catalog, Jul. 2000.  
Maruman Golf Clubs & Goods Catalogue, Spring 1998.

\* cited by examiner

*Primary Examiner*—Mitchell Siegel

(74) *Attorney, Agent, or Firm*—Sheppard, Mullin, Richter  
& Hampton LLP; James R. Brueggemann

(57) **CLAIM**

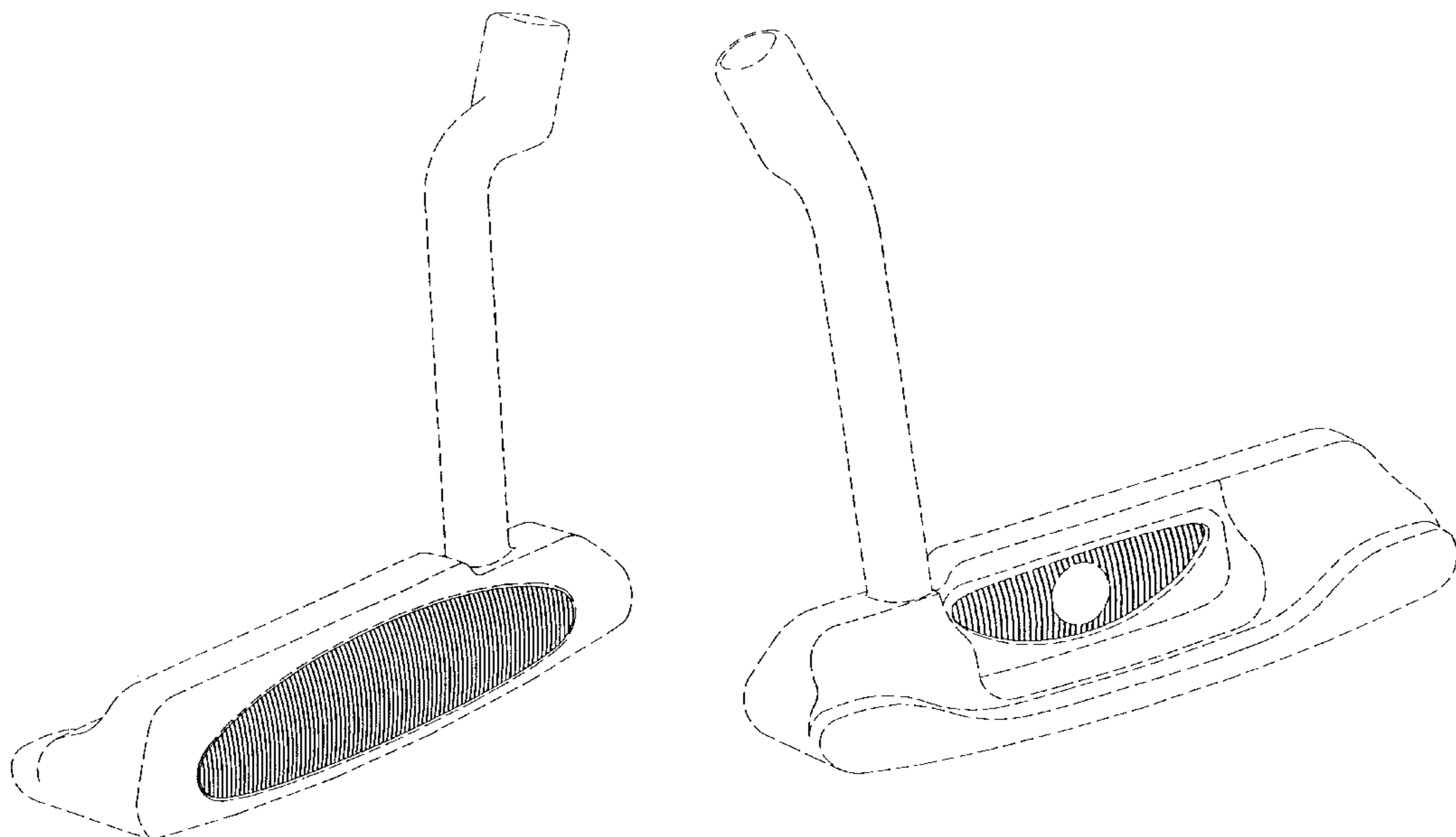
We claim the ornamental design for a golf club putter head incorporating face and rear wall inserts, as shown and described.

**DESCRIPTION**

FIG. 1 is a perspective view of the face portion of the golf club putter head incorporating face and rear wall inserts. FIG. 2 is a perspective of the rear wall portion thereof. FIG. 3 is an elevational of the face portion thereof. FIG. 4 is an elevational of the rear wall portion thereof. FIG. 5 is a top plan view of the golf club putter head; and, FIG. 6 is a sectional view, taken substantially in the direction of the arrows 6—6 in FIG. 5.

The broken line showing is for illustrative purposes only and forms no part of the claimed design.

**1 Claim, 5 Drawing Sheets**



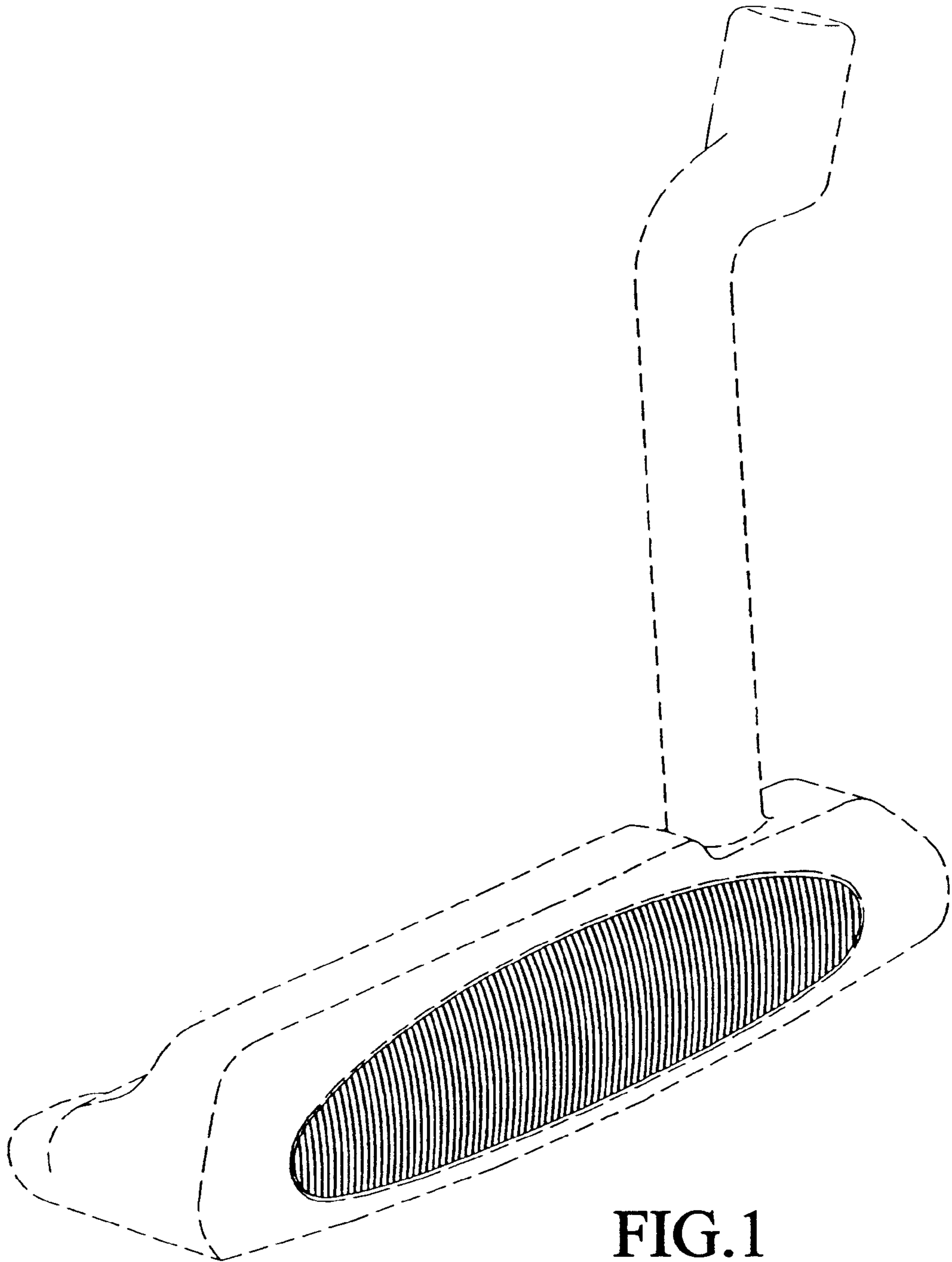


FIG. 1

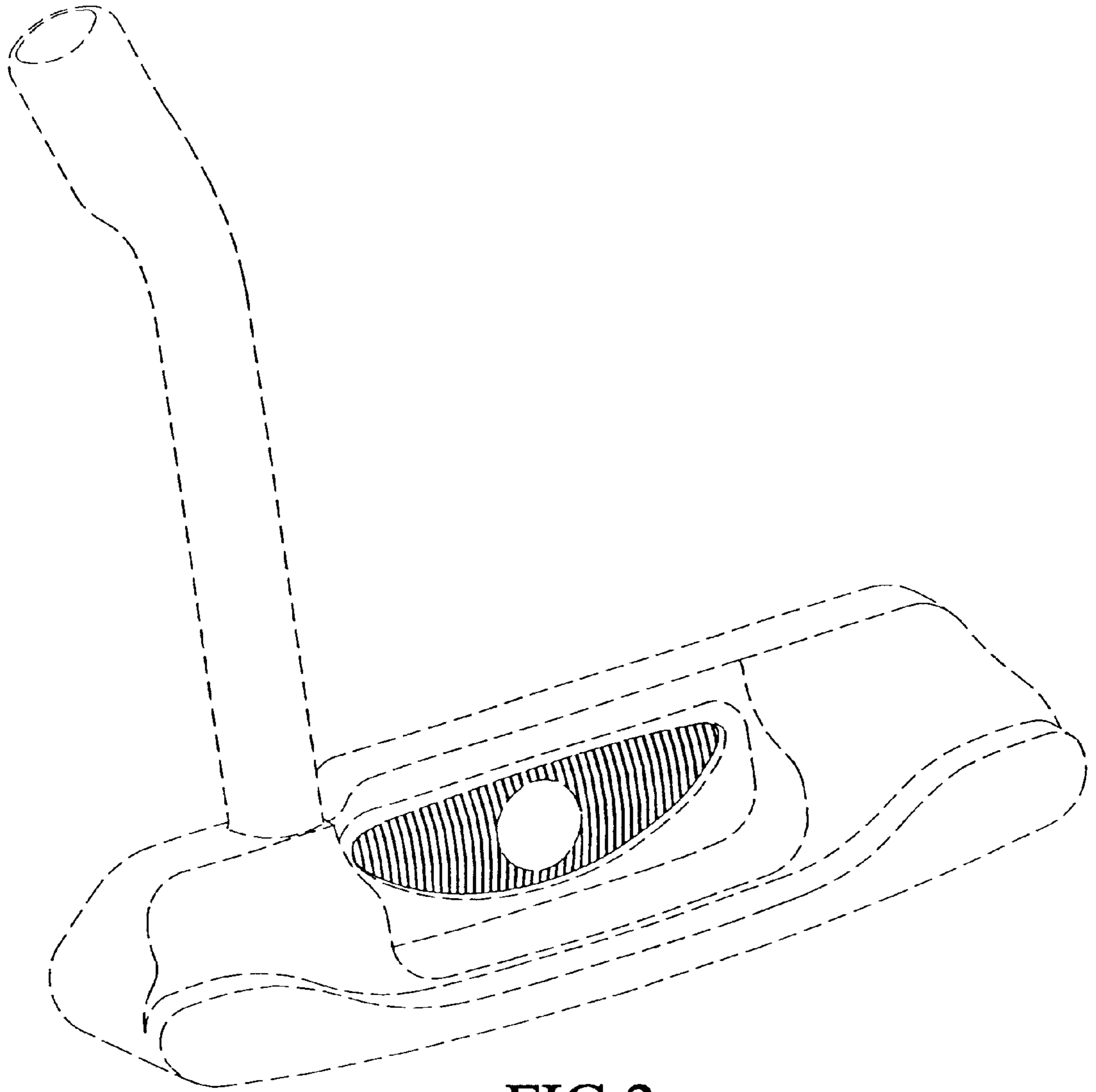


FIG. 2

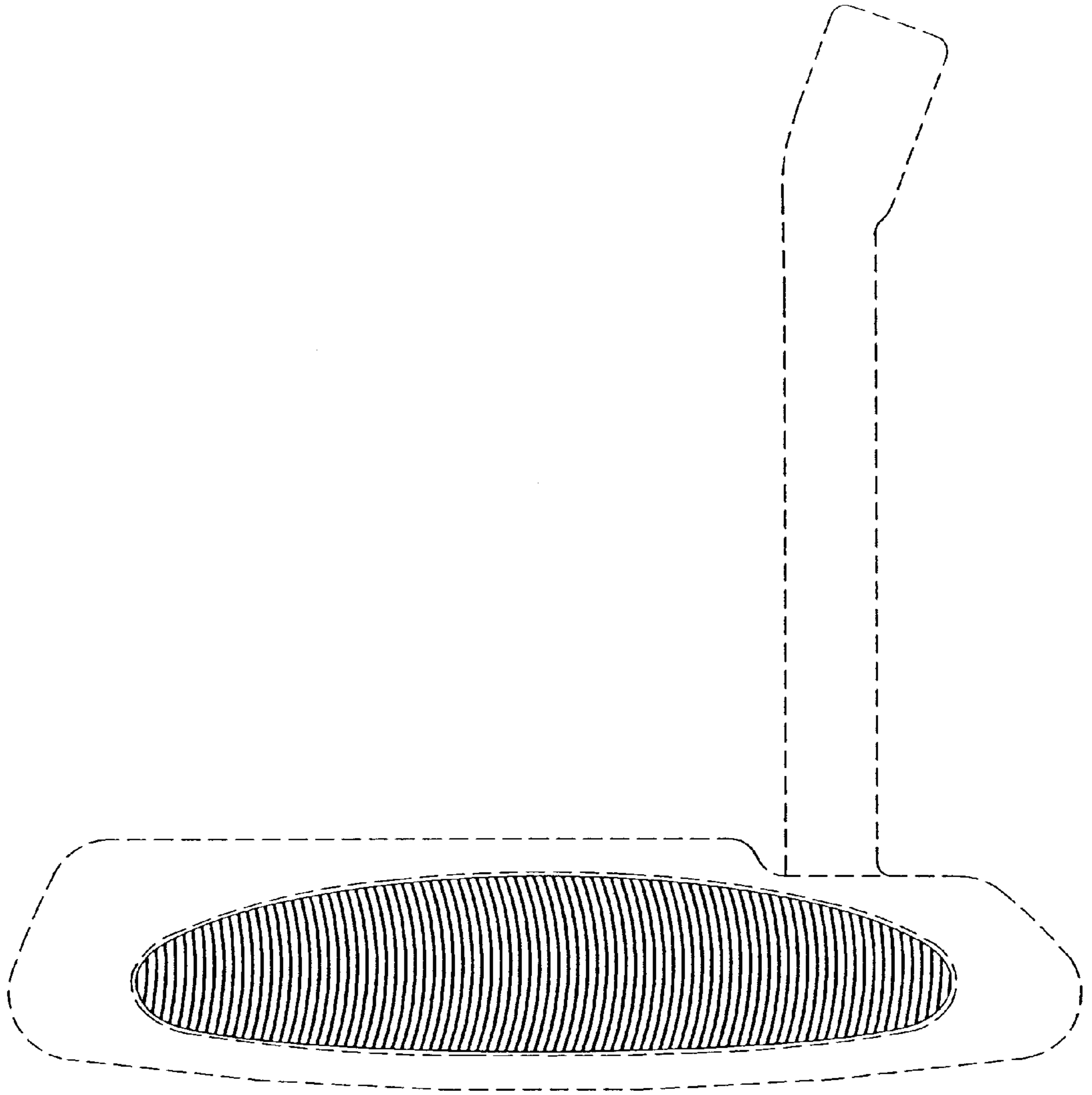


FIG.3

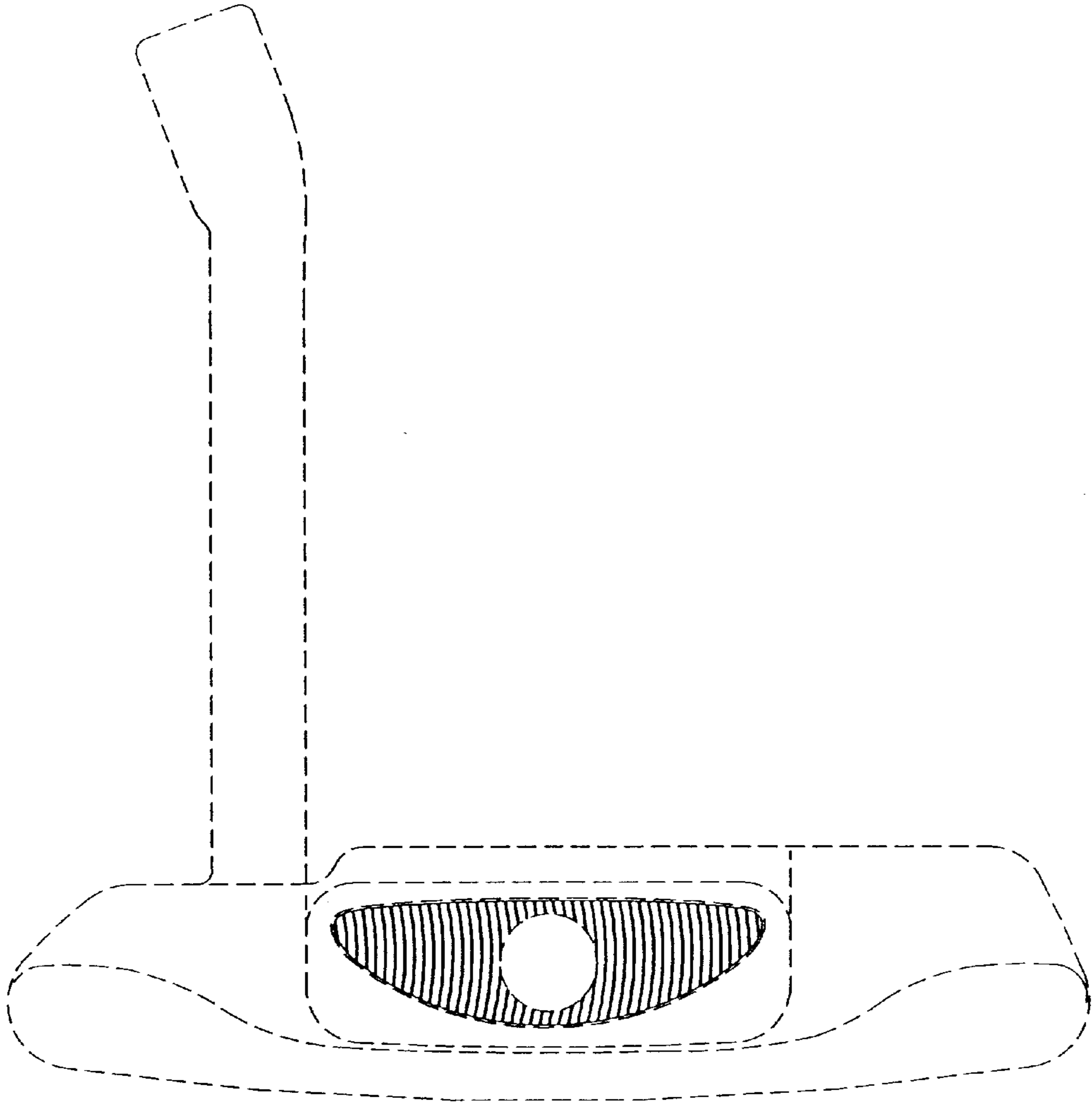


FIG.4

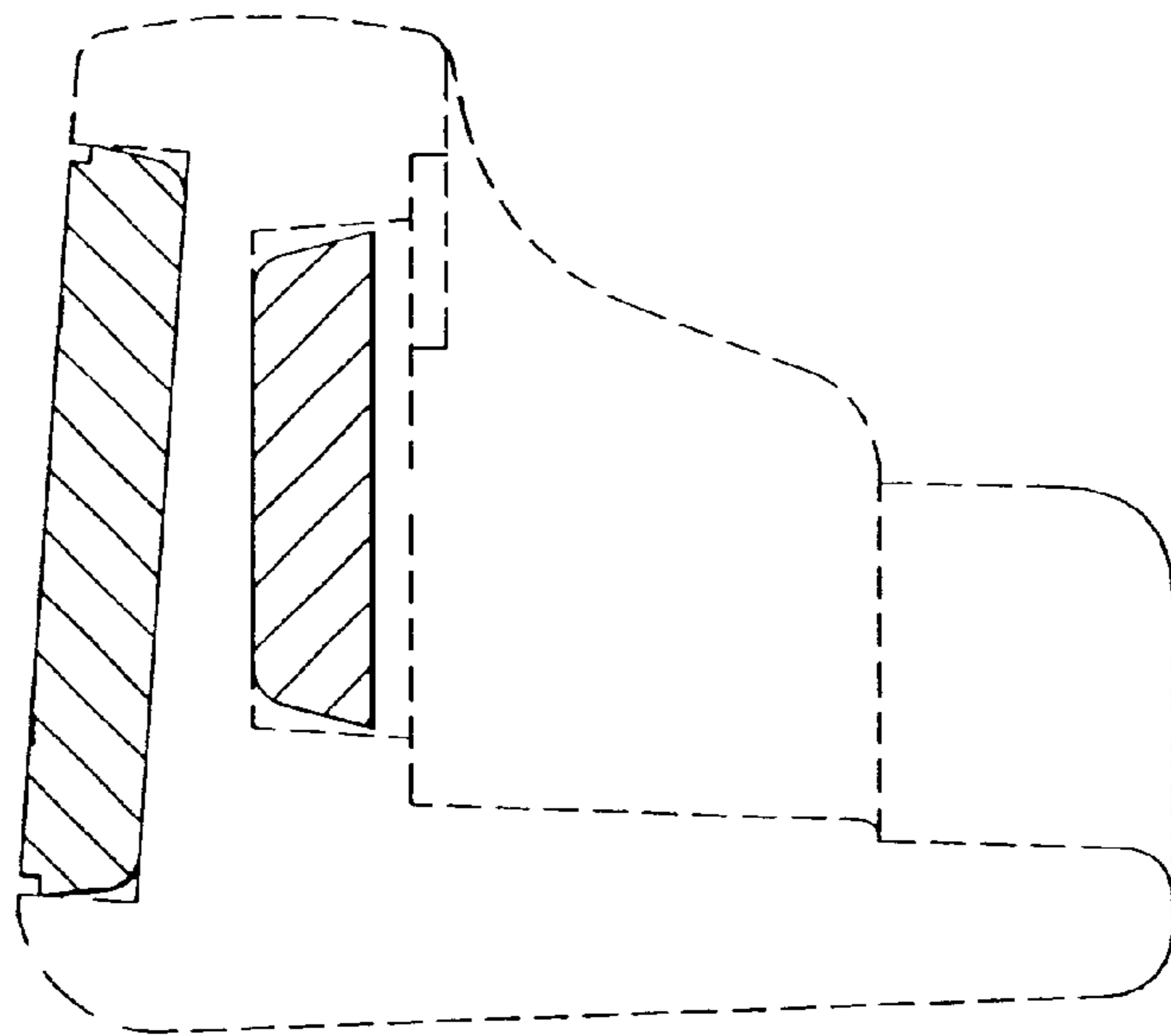
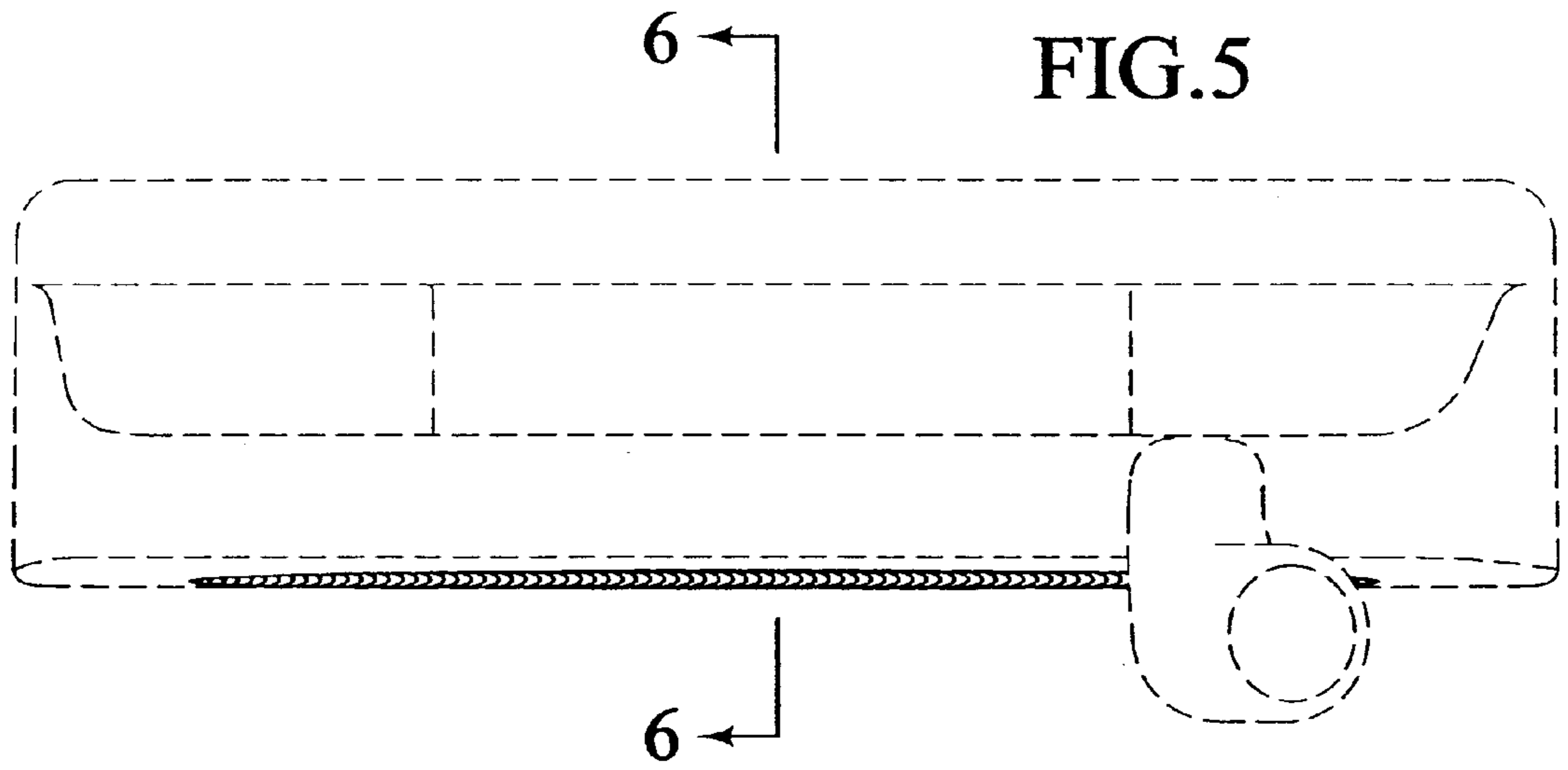


FIG.6