



US00D458327S

(12) **United States Design Patent**  
**Higashida**

(10) **Patent No.:** **US D458,327 S**

(45) **Date of Patent:** **\*\* Jun. 4, 2002**

(54) **GOLF CLUB**

(76) Inventor: **Kouichi Higashida**, 7-7-1-1004,  
Kitasuna, Koutou-ku, Tokyo (JP)

(\*\*) Term: **14 Years**

(21) Appl. No.: **29/149,919**

(22) Filed: **Oct. 23, 2001**

**Related U.S. Application Data**

(62) Division of application No. 09/306,513, filed on May 6,  
1999.

(51) **LOC (7) Cl.** ..... **21-01**

(52) **U.S. Cl.** ..... **D21/738**

(58) **Field of Search** ..... D21/736-746;  
473/324, 327-331, 340, 341, 251-265

(56) **References Cited**

**U.S. PATENT DOCUMENTS**

2,843,384 A \* 7/1958 Schmidt ..... D21/736 X

D356,845 S \* 3/1995 Lutts ..... D21/738

D432,607 S \* 10/2000 Uebelhor ..... D21/736

D434,093 S \* 11/2000 Mathews, Jr. .... D21/736

\* cited by examiner

*Primary Examiner*—Mitchell Siegel

(74) *Attorney, Agent, or Firm*—Arent Fox Kintner Plotkin  
& Kahn, PLLC

(57) **CLAIM**

The ornamental design for a golf club, as shown and  
described in FIGS. 1-6.

**DESCRIPTION**

FIG. 1 is a top view of a golf club showing my new design;  
FIG. 2 is a bottom view thereof;  
FIG. 3 is a left side view thereof;  
FIG. 4 is a rear side view thereof;  
FIG. 5 is a right side view thereof; and,  
FIG. 6 is a front side view thereof.

**1 Claim, 3 Drawing Sheets**

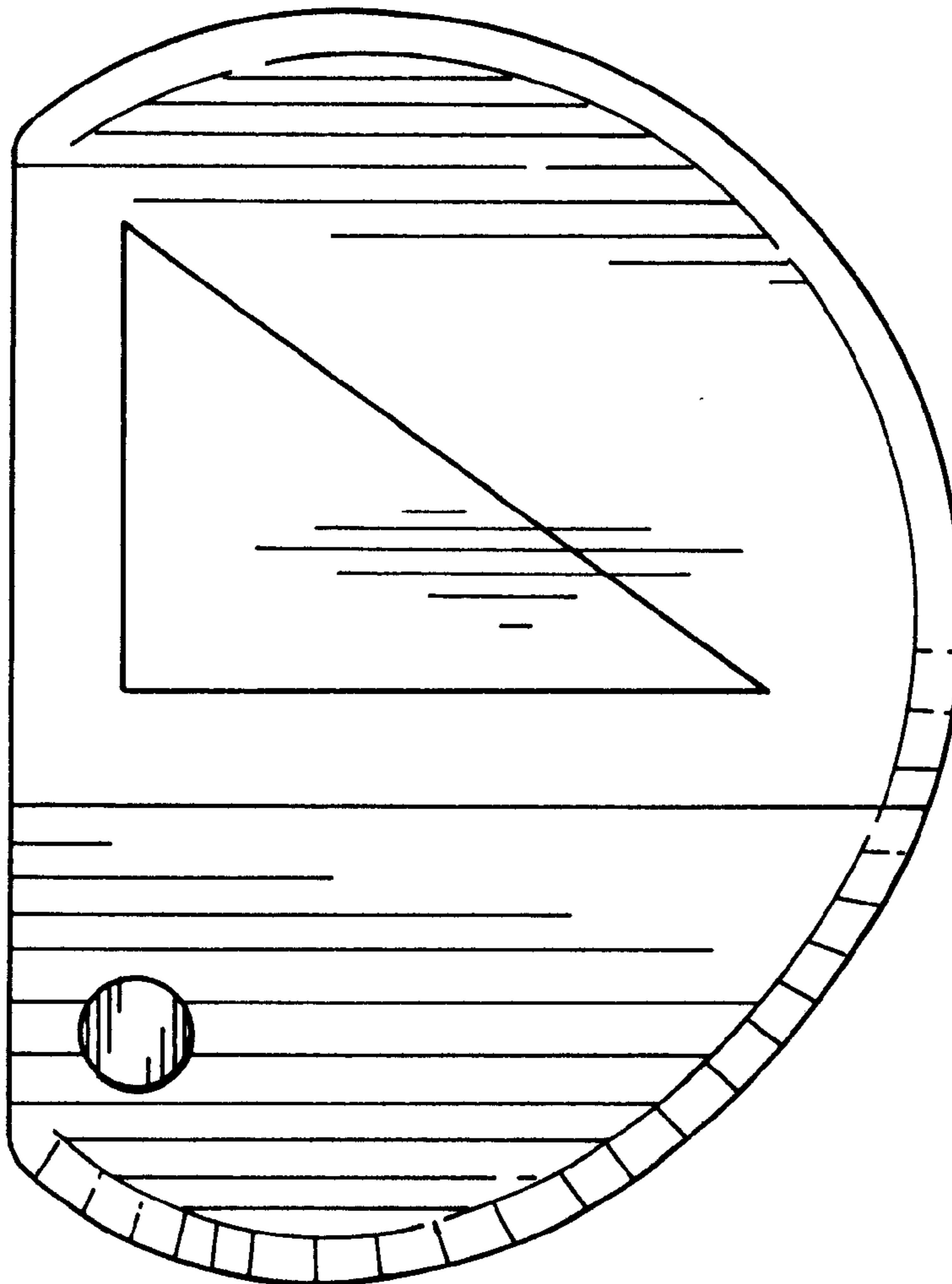


FIG.1

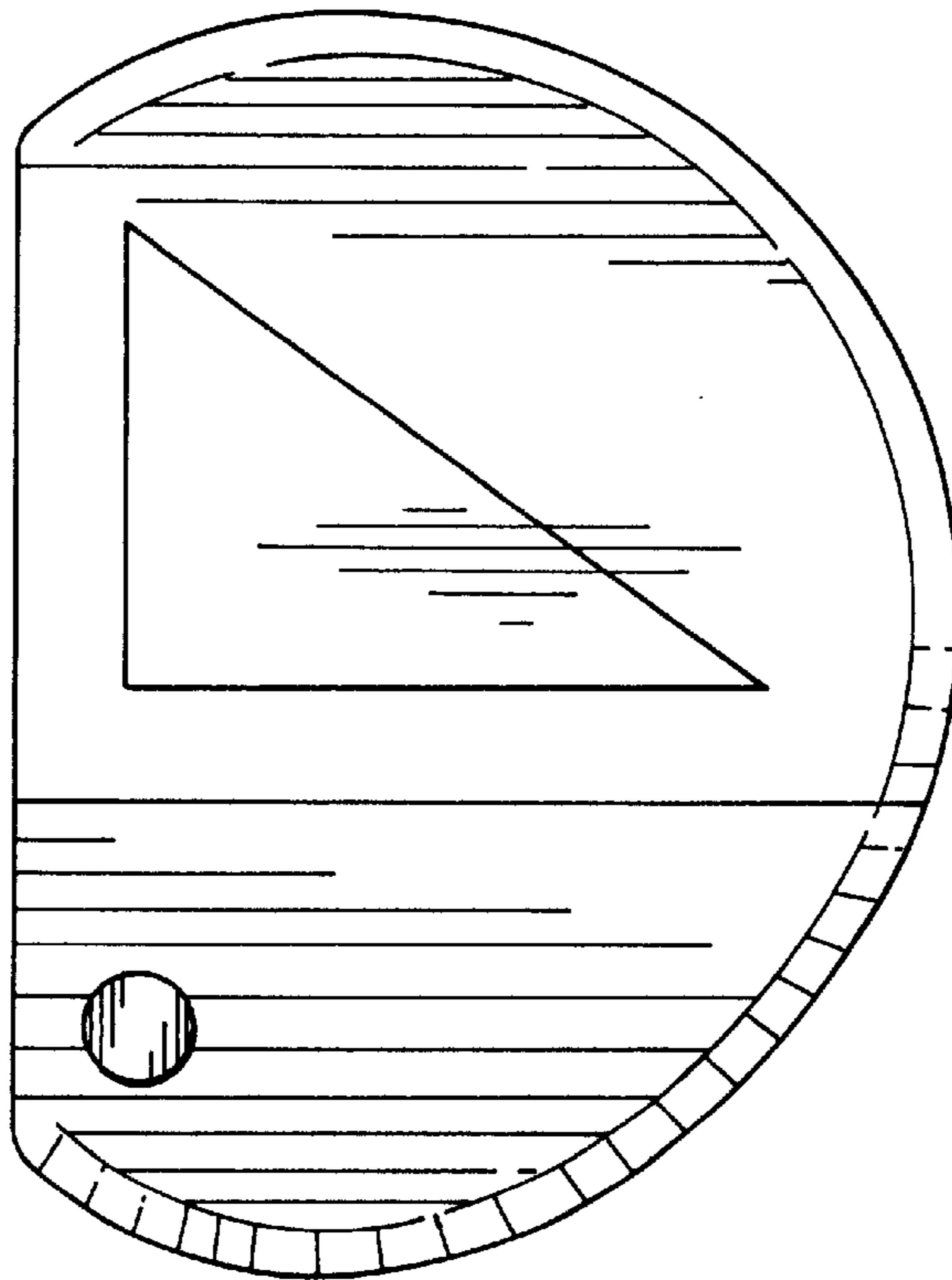


FIG.2

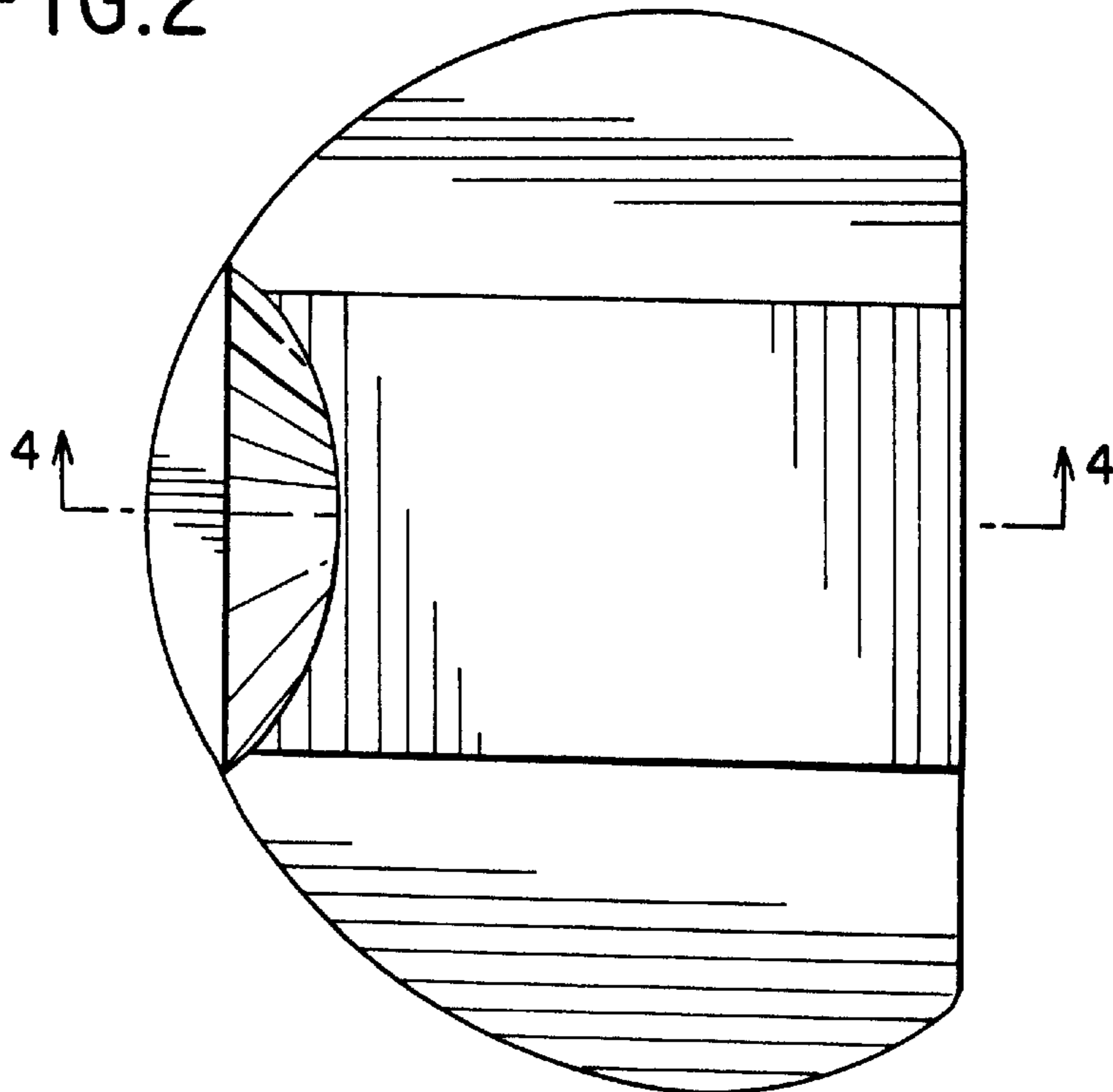


FIG.3

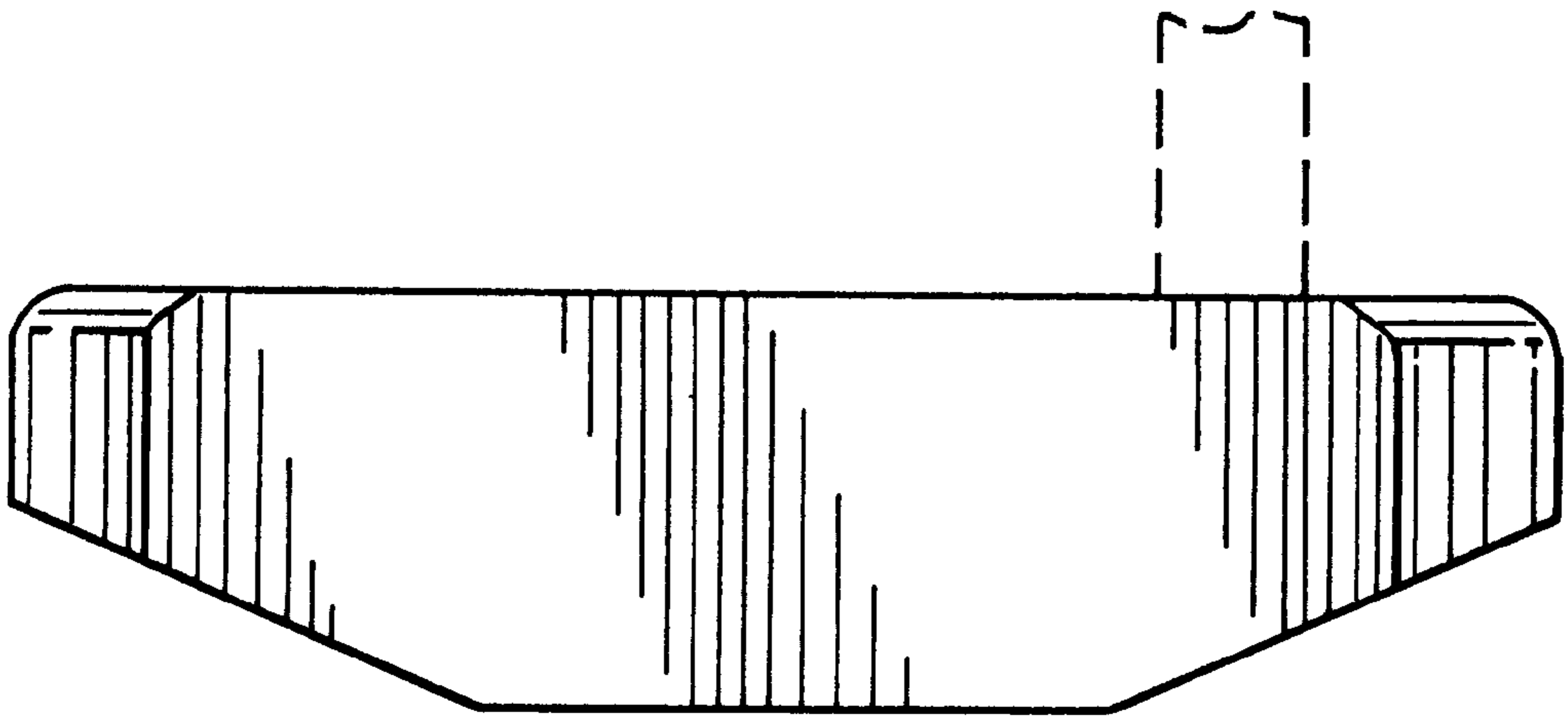


FIG.4

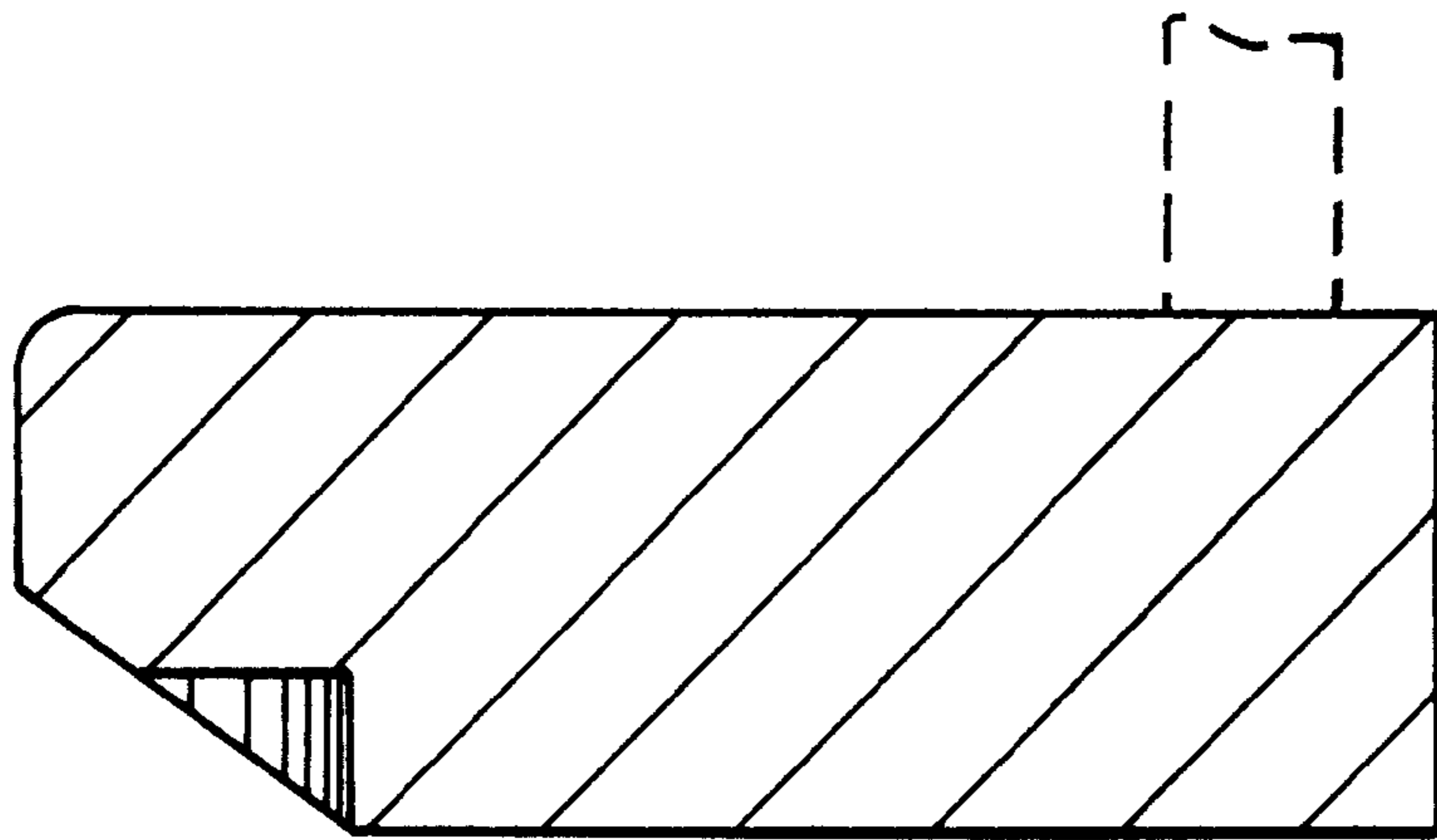


FIG.5

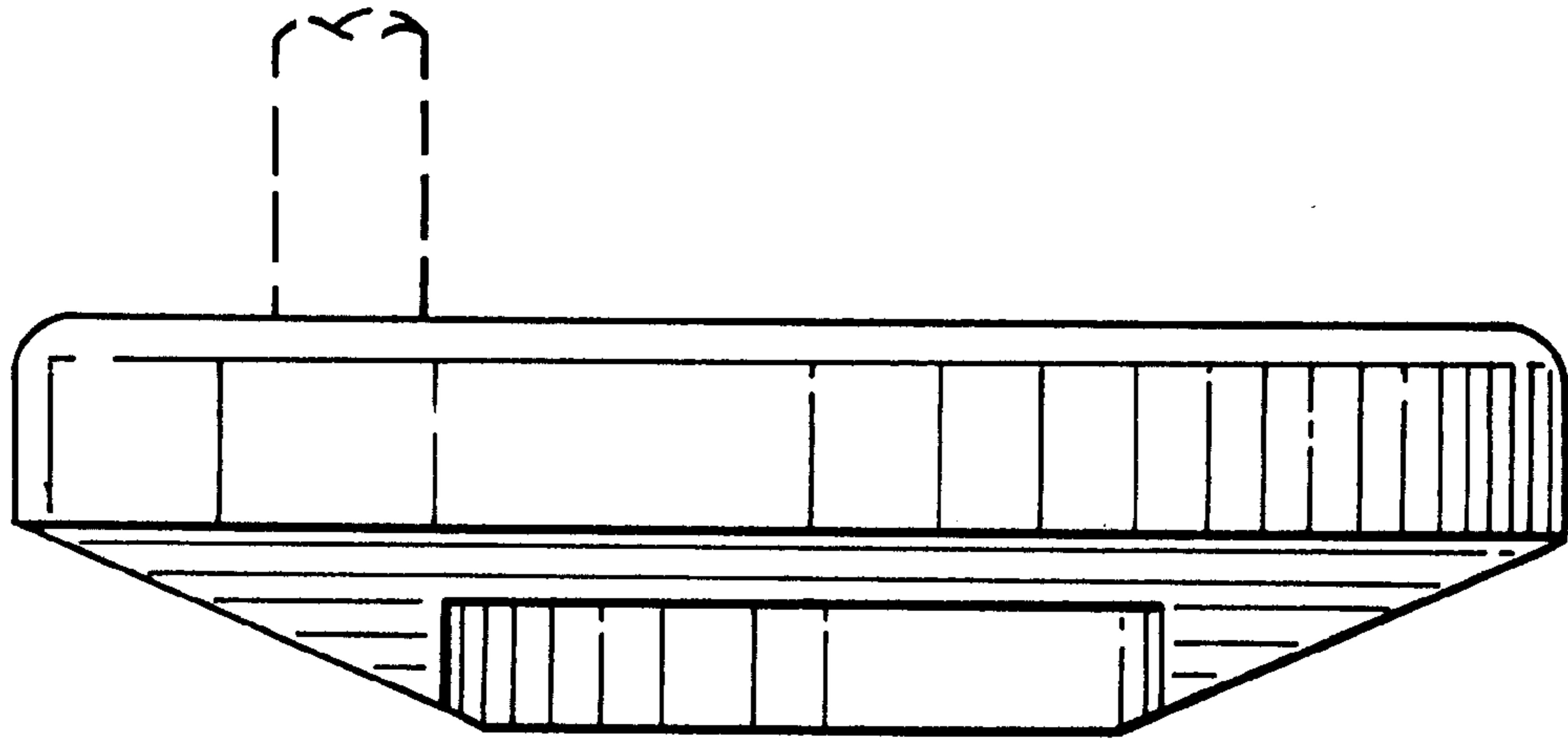


FIG.6

