



US00D458322S

(12) **United States Design Patent**
Rankin

(10) **Patent No.:** **US D458,322 S**

(45) **Date of Patent:** **** Jun. 4, 2002**

(54) **UPPER TORSO MUSCLE DEVELOPER**

(76) Inventor: **Alan M. Rankin**, 3136 Thomas Rd.,
Clearwater, FL (US) 33759

(**) Term: **14 Years**

(21) Appl. No.: **29/139,853**

(22) Filed: **Apr. 6, 2001**

Related U.S. Application Data

(63) Continuation-in-part of application No. 29/137,394, filed on
Feb. 20, 2001.

(51) **LOC (7) Cl.** **21-02**

(52) **U.S. Cl.** **D21/693; D21/692**

(58) **Field of Search** D21/662, 684,
D21/692, 693; 482/121, 122, 123, 124,
125, 126, 127, 91

(56) **References Cited**

U.S. PATENT DOCUMENTS

2,806,699 A	9/1957	Spooner	
D208,787 S	10/1967	Bennstrom-Prescott	D21/693
3,349,621 A	10/1967	Mullen	
3,807,729 A	4/1974	Sigma	
D241,760 S	* 10/1976	Vinnola	D21/693
4,332,380 A	6/1982	Cardin	
4,428,577 A	1/1984	Weingardt	
4,623,141 A	11/1986	Salvino	
4,629,186 A	12/1986	Aldridge	

4,756,522 A	7/1988	Sandoval	
5,022,648 A	6/1991	Travis	482/126
5,026,050 A	6/1991	Leung et al.	
5,060,934 A	10/1991	Winston	
D322,827 S	* 12/1991	Bennstrom et al.	D21/693
5,267,929 A	12/1993	Chen	482/128
5,643,161 A	7/1997	Gordon	482/127
5,690,596 A	11/1997	Parker	482/126
5,720,701 A	2/1998	Truini	482/126
5,743,830 A	4/1998	Ho	482/44
5,980,436 A	11/1999	Cheng	482/124
6,022,302 A	2/2000	McBride	482/121
6,080,090 A	6/2000	Taylor et al.	482/121

* cited by examiner

Primary Examiner—Philip S. Hyder

(74) *Attorney, Agent, or Firm*—Dennis G. Lapointe; Mason
& Associates, P.A.

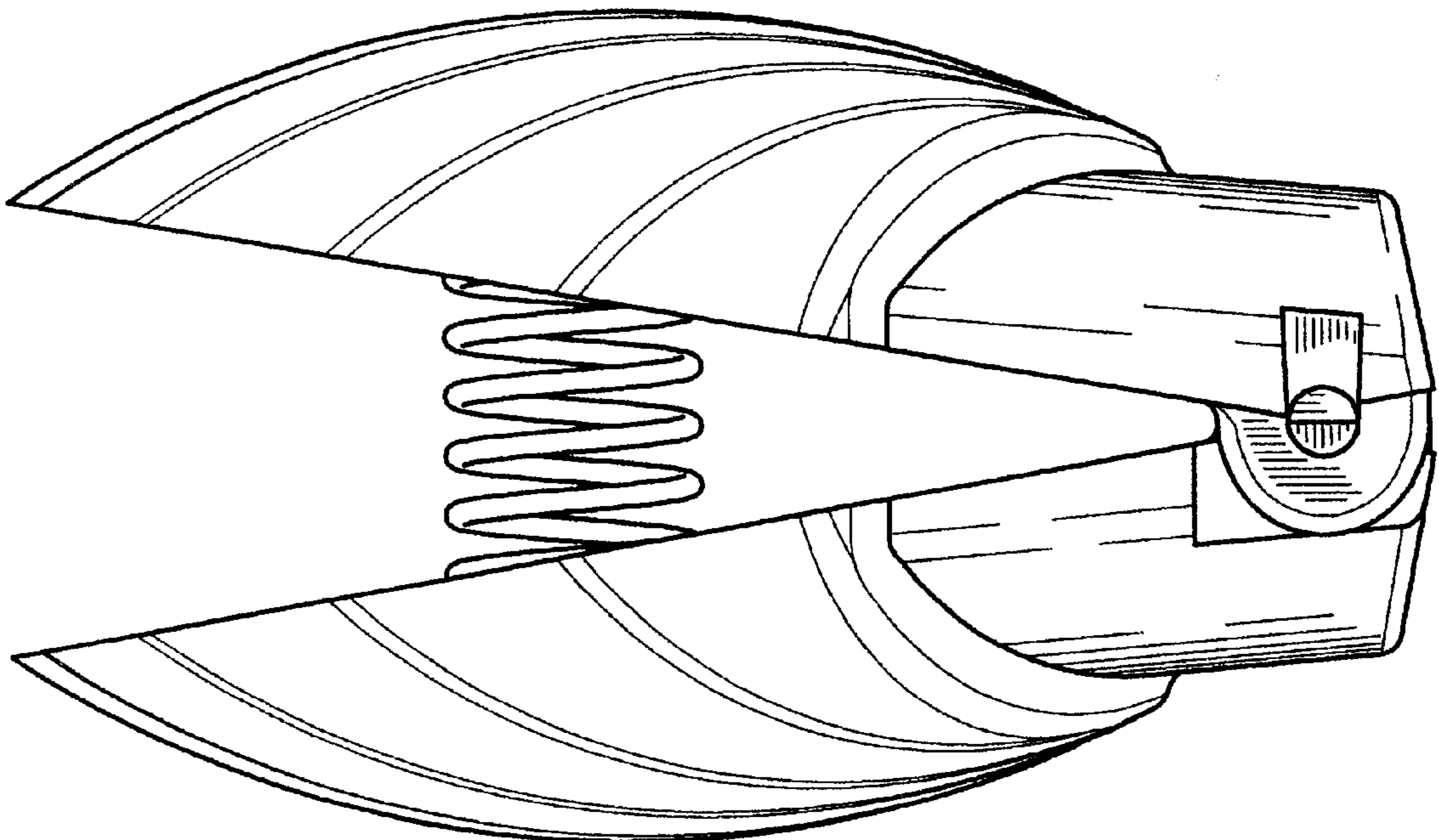
(57) **CLAIM**

I claim the ornamental design for an upper torso muscle
developer, as shown.

DESCRIPTION

FIG. 1 is a front elevational view of an upper torso muscle
developer, showing my newdesign;
FIG. 2 is a rear elevational view thereof;
FIG. 3 is a left side elevational view thereof;
FIG. 4 is a right side elevational view thereof;
FIG. 5 is an top plan view thereof, on a reduced scale; and,
FIG. 6 is a bottom plan view thereof, on a reduced scale.

1 Claim, 3 Drawing Sheets



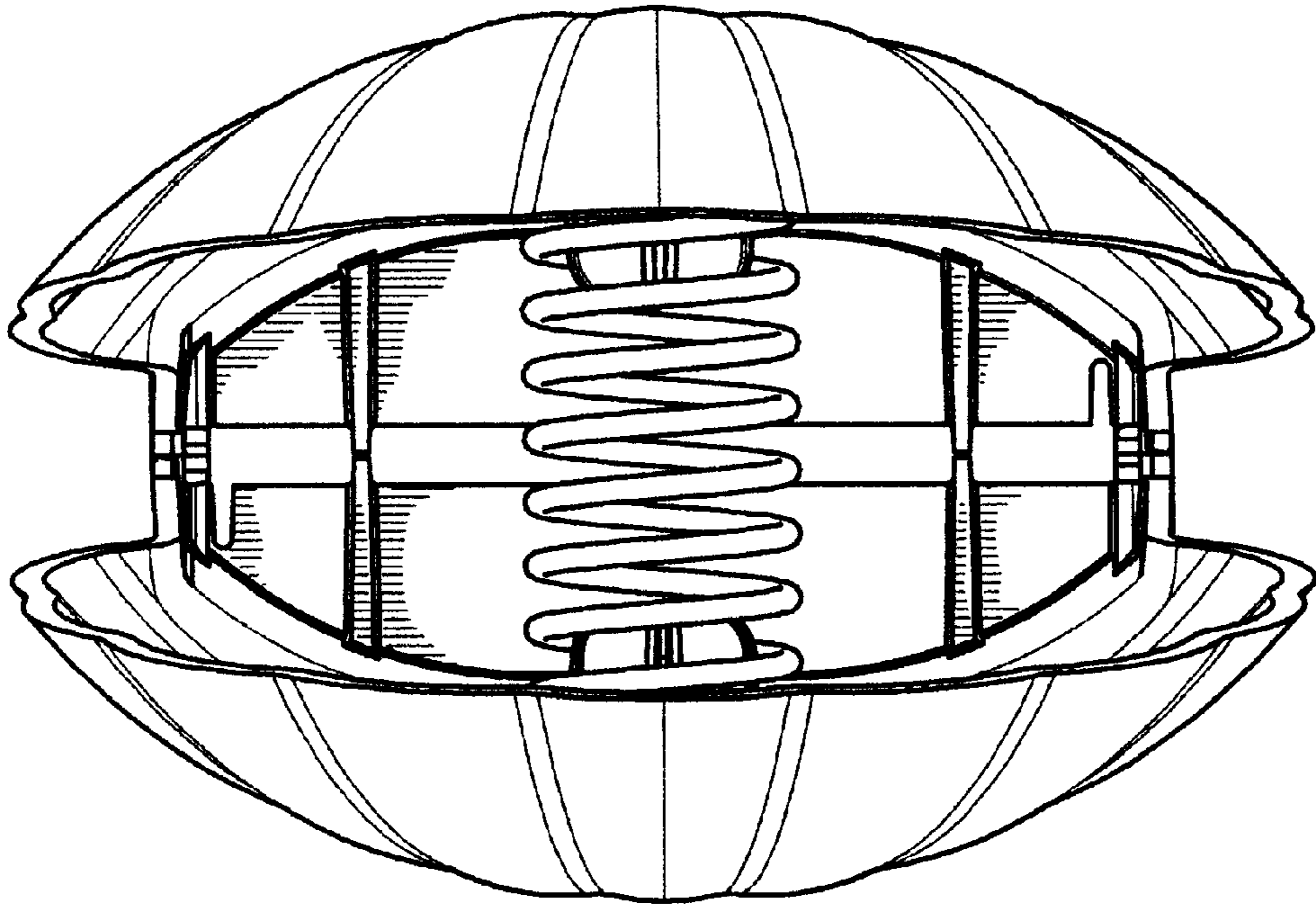


Fig. 1

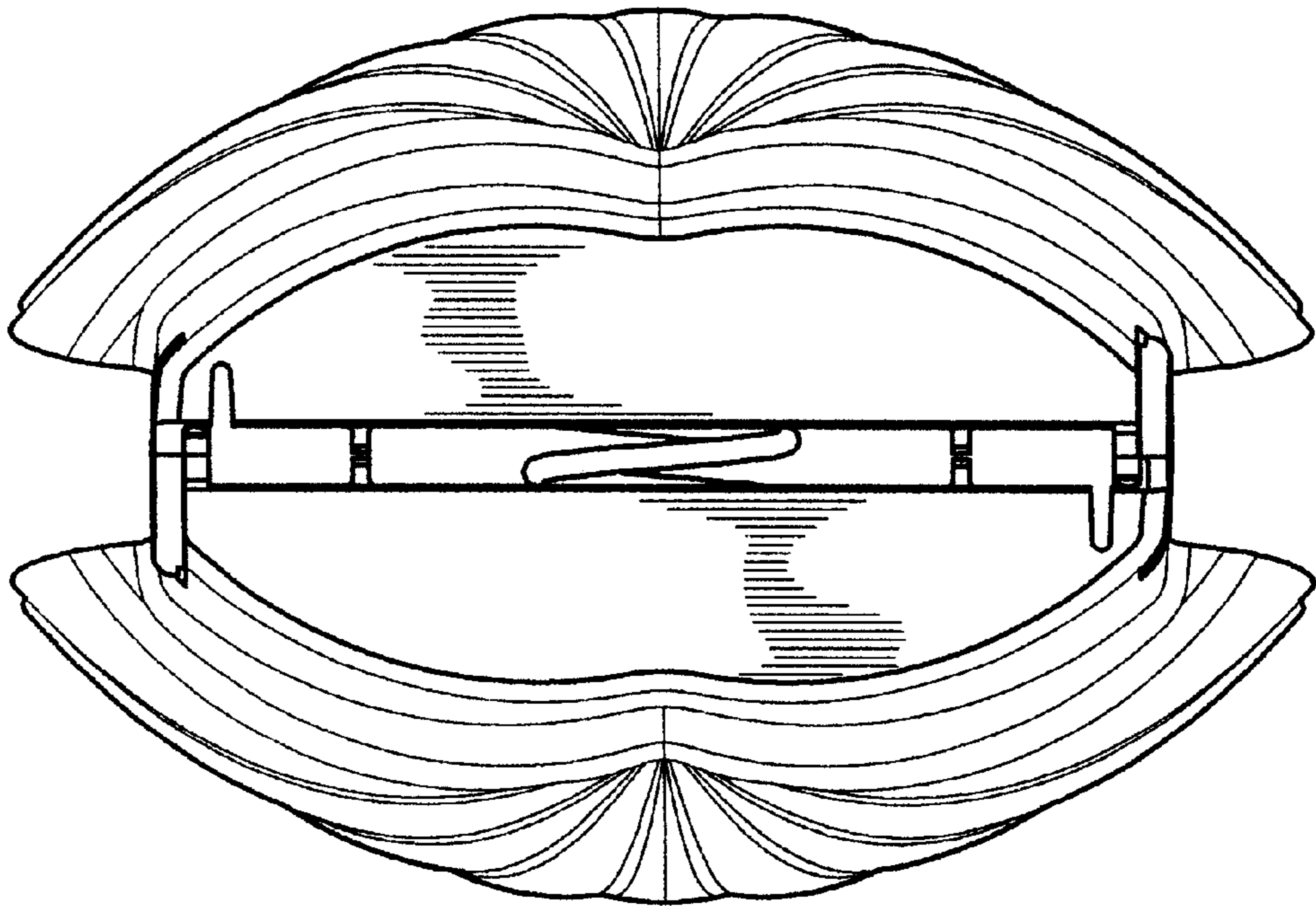


Fig. 2

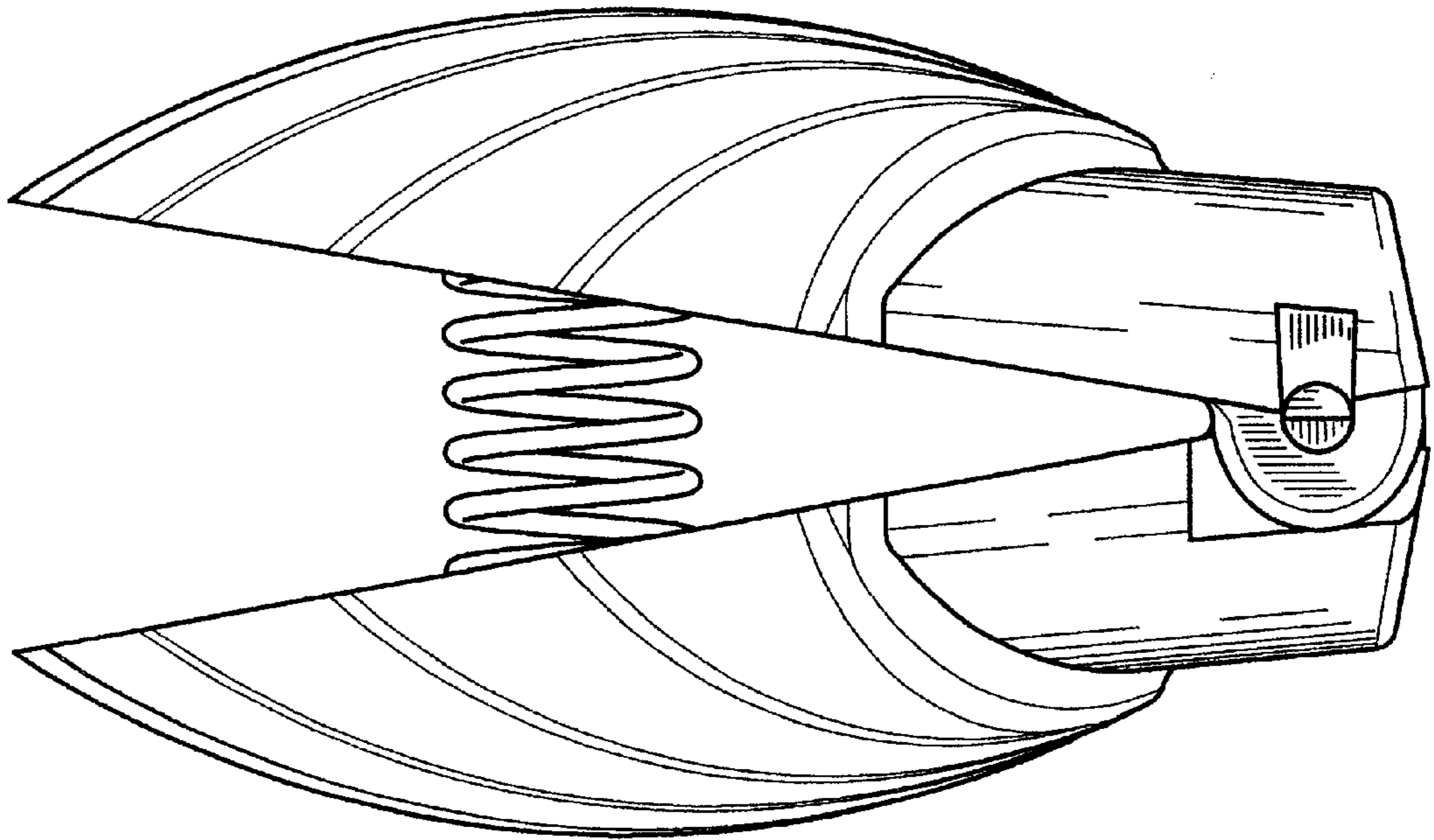


Fig. 3

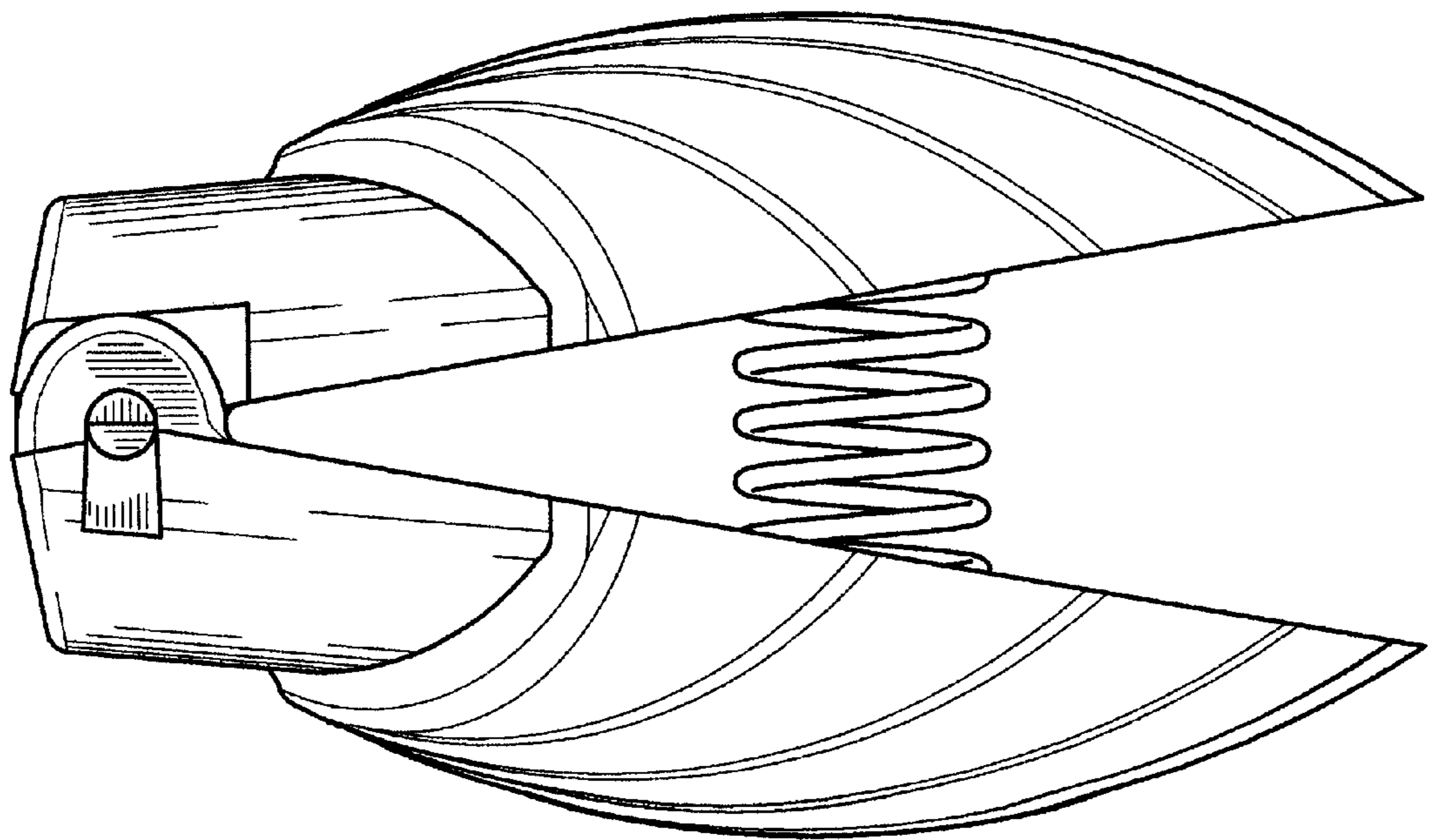


Fig. 4

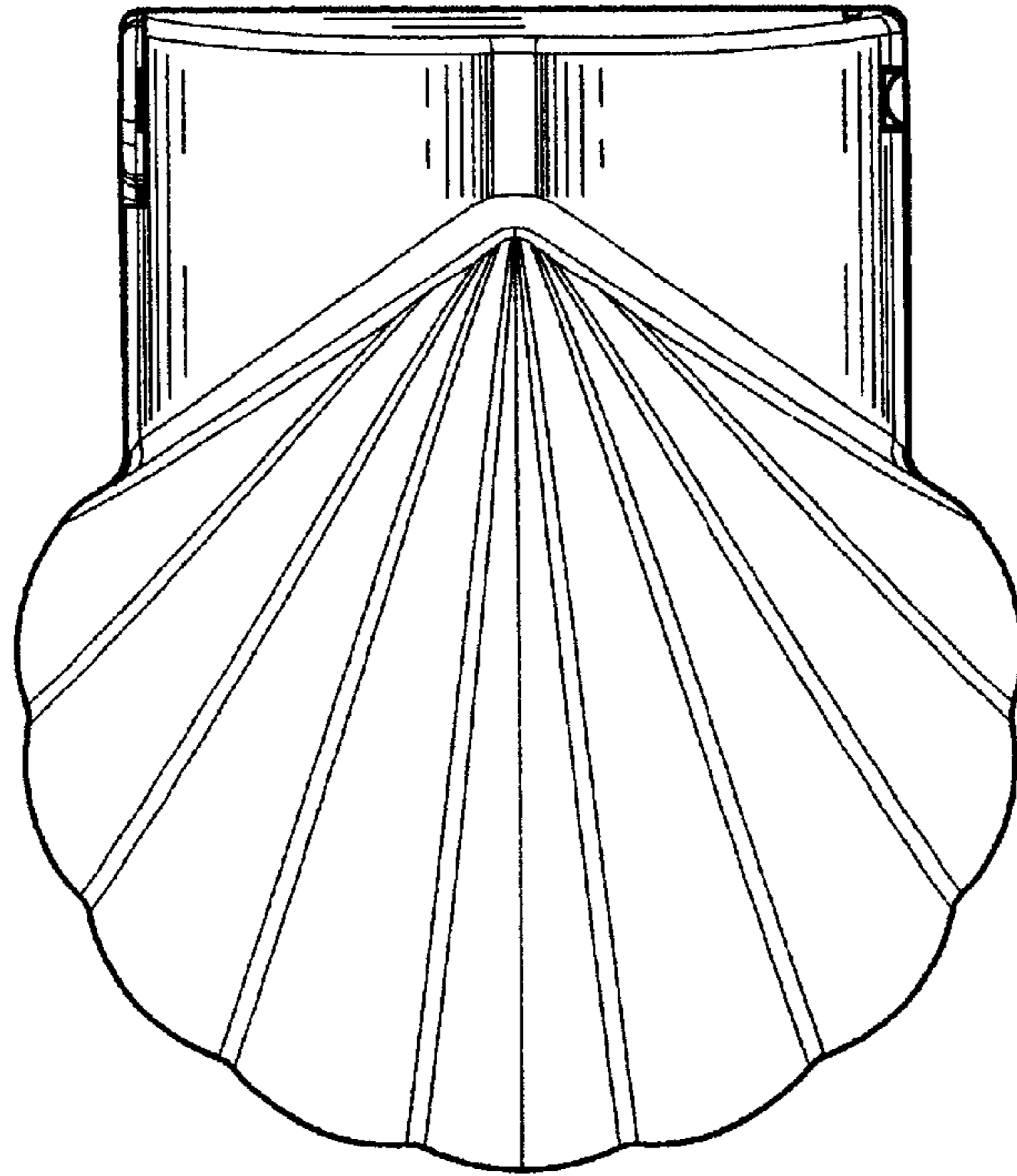


Fig. 5

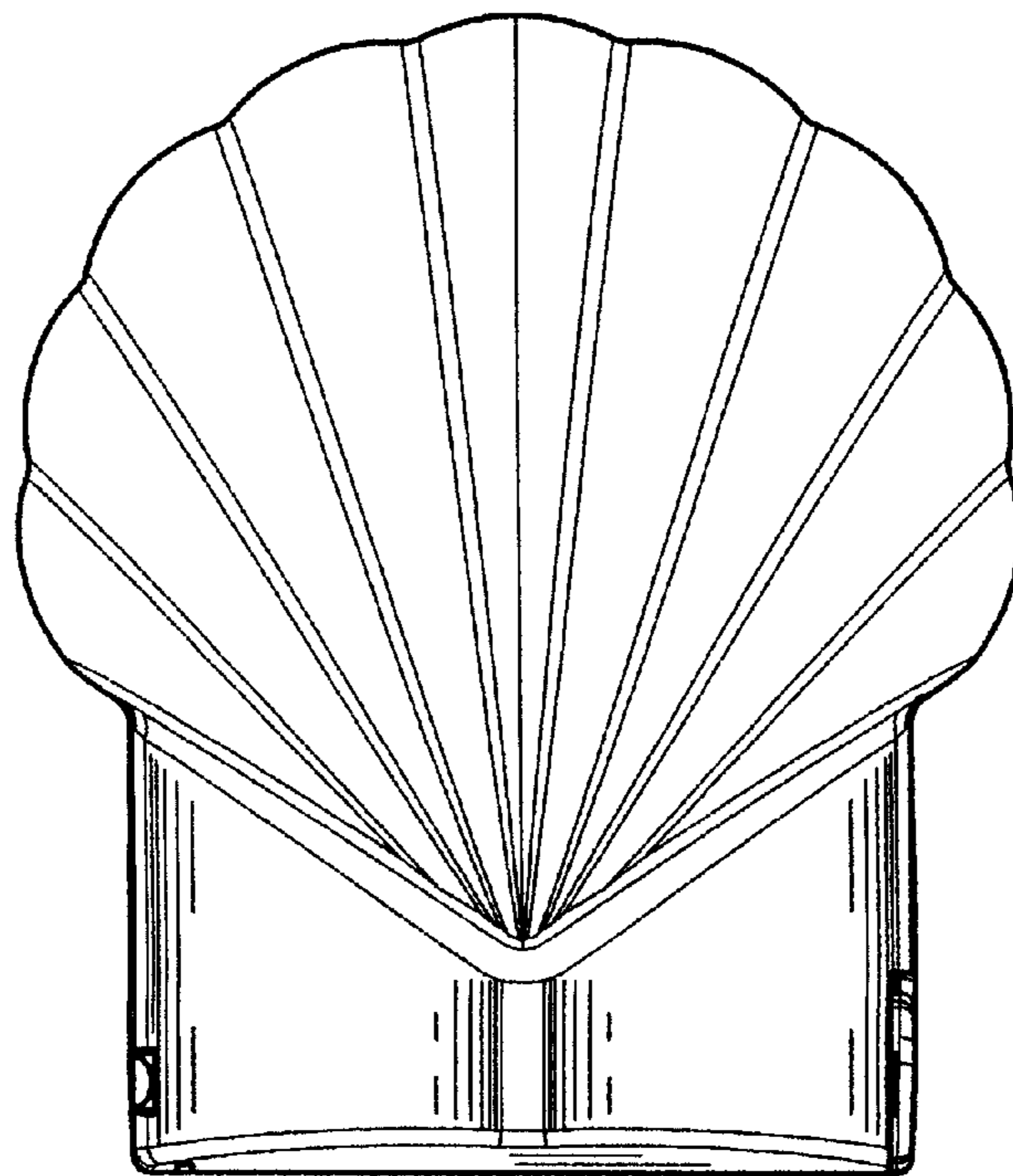


Fig. 6