



US00D458320S

(12) **United States Design Patent**
Domingues

(10) **Patent No.:** **US D458,320 S**

(45) **Date of Patent:** **** Jun. 4, 2002**

(54) **SELF-PROPELLED AMUSEMENT DEVICE**

6,172,598 B1 * 1/2001 Lee et al. 340/425.2

(76) Inventor: **Francisco Bicalho Domingues**,
423-427 W. 127th St., New York, NY
(US) 10027

* cited by examiner

Primary Examiner—Sandra L. Morris

(74) *Attorney, Agent, or Firm*—Richard L. Strauss, Esq.

(**) Term: **14 Years**

(57) **CLAIM**

(21) Appl. No.: **29/140,246**

The ornamental design for a self-propelled amusement device, as shown and described.

(22) Filed: **Apr. 14, 2001**

DESCRIPTION

(51) **LOC (7) Cl.** **21-01**

(52) **U.S. Cl.** **D21/585; D21/578**

(58) **Field of Search** D11/158; D21/576,
D21/578, 585, 650; 446/268, 317, 352,
353

The present invention is a self-propelled amusement device. More particularly, the present invention is a wind-up powered toy device, including the rotation of an off-balanced weight to create erratic and unpredictable propulsion of the device along a surface. The device further includes forwardly and rearwardly extending legs, which allow the device to tip over the front or back and continue movement along the surface.

(56) **References Cited**

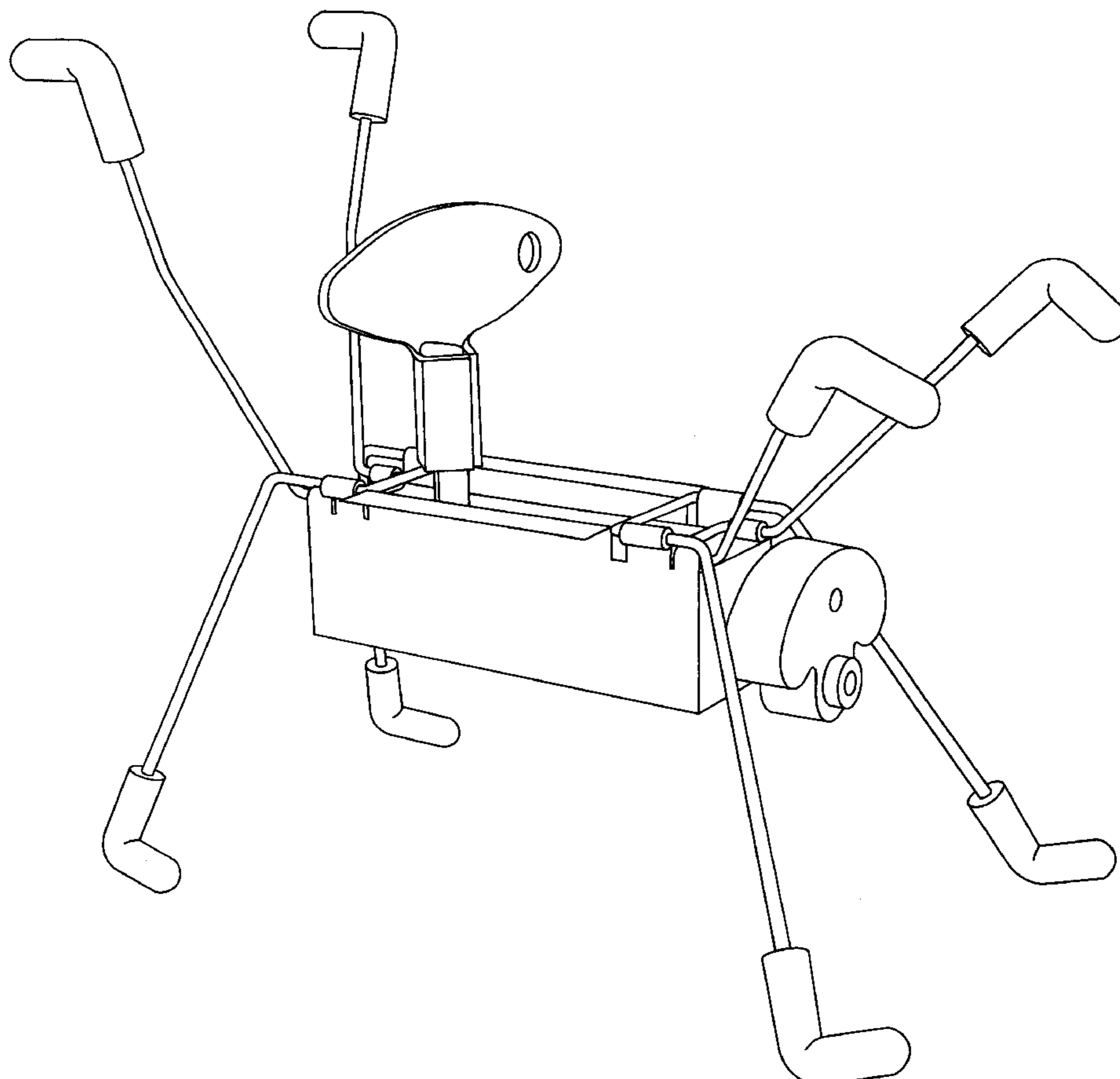
U.S. PATENT DOCUMENTS

D289,070 S	*	3/1987	Forbes et al.	D21/650
D289,747 S	*	5/1987	Sethares et al.	D11/158
D291,711 S	*	9/1987	Dixon	D21/650
4,867,730 A	*	9/1989	Lee	446/352
D400,618 S	*	11/1998	Wain	D21/624
D418,551 S	*	1/2000	Kageyama et al.	D21/585
D421,932 S	*	3/2000	Hawkins et al.	D11/158
D427,256 S	*	6/2000	Teigiser	D21/650

FIG. 1 is a front three-quarter perspective view of the self-propelled amusement device, illustrating forwardly and rearwardly extending legs; and,

FIG. 2 is a rear three-quarter perspective view of the self-propelled amusement device, illustrating forwardly and rearwardly extending legs.

1 Claim, 2 Drawing Sheets



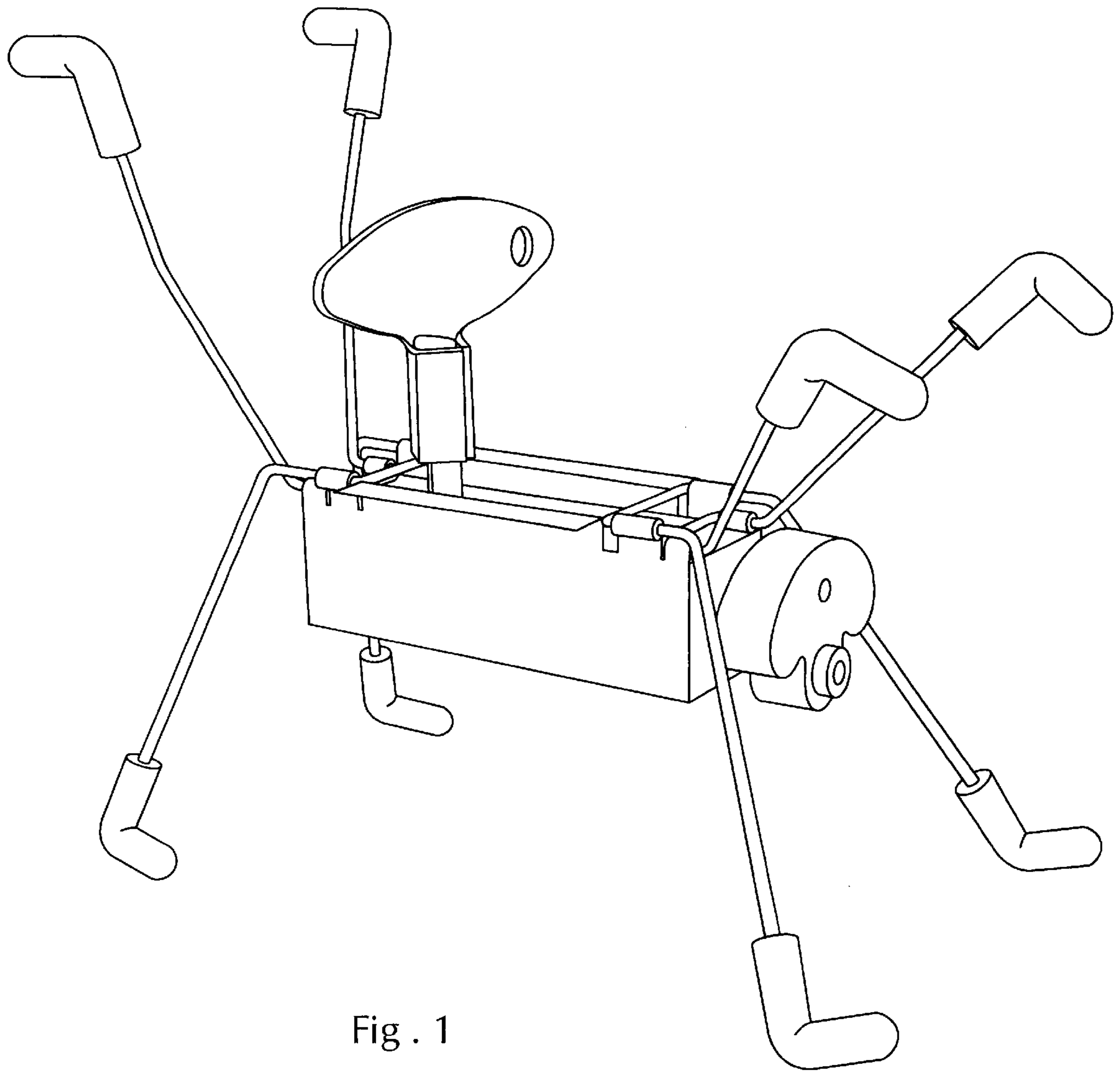


Fig . 1

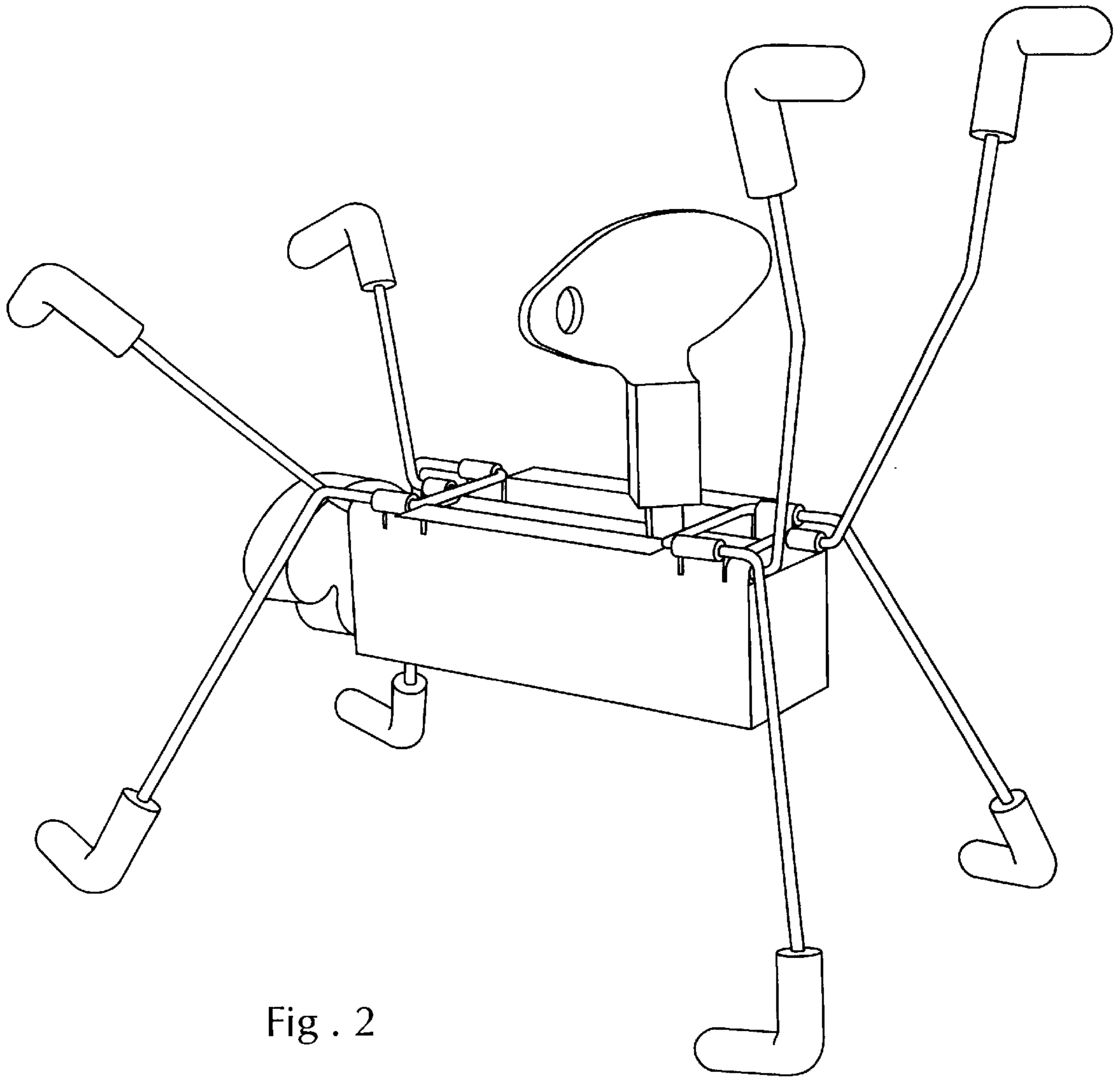


Fig . 2