



US00D458310S

(12) **United States Design Patent**
Lynch

(10) **Patent No.:** **US D458,310 S**

(45) **Date of Patent:** **** Jun. 4, 2002**

(54) **CONSOLE FOR A GAMING APPARATUS**

(75) **Inventor:** **Daniel Anthony Lynch, Cardiff (GB)**

(73) **Assignee:** **Coinmaster Gaming Limited, Cardiff (GB)**

(**) **Term:** **14 Years**

(21) **Appl. No.:** **29/144,975**

(22) **Filed:** **Jul. 13, 2001**

(30) **Foreign Application Priority Data**

Jan. 15, 2001 (GB) 2098776

(51) **LOC (7) Cl.** **21-03**

(52) **U.S. Cl.** **D21/369; D21/327; D21/375**

(58) **Field of Search** D21/324, 327,
D21/332, 369-375; 273/138.1, 137, 142 B,
142 R, 274, 292; 463/13, 16, 17, 34, 46,
47

(56) **References Cited**

U.S. PATENT DOCUMENTS

4,614,342 A * 9/1986 Takashima 463/46

D383,171 S * 9/1997 Hanscom D21/327
5,879,235 A * 3/1999 Kaneko et al. 273/142 R
D410,256 S * 5/1999 Uehara et al. D21/327
D415,211 S * 10/1999 Yamaguchi D21/327

* cited by examiner

Primary Examiner—Sandra L. Morris

(74) *Attorney, Agent, or Firm*—Edwin D. Schindler

(57) **CLAIM**

The ornamental design for a console for a gaming apparatus, as shown and described.

DESCRIPTION

FIG. 1 is a top perspective view of a console for a gaming apparatus showing the present design;

FIG. 2 is a top plan of the console for a gaming apparatus of FIG. 1;

FIG. 3 is an elevational view of the console for a gaming apparatus of FIG. 1; and,

FIG. 4 is a bottom perspective view of the console for a gaming apparatus of FIG. 1.

1 Claim, 4 Drawing Sheets

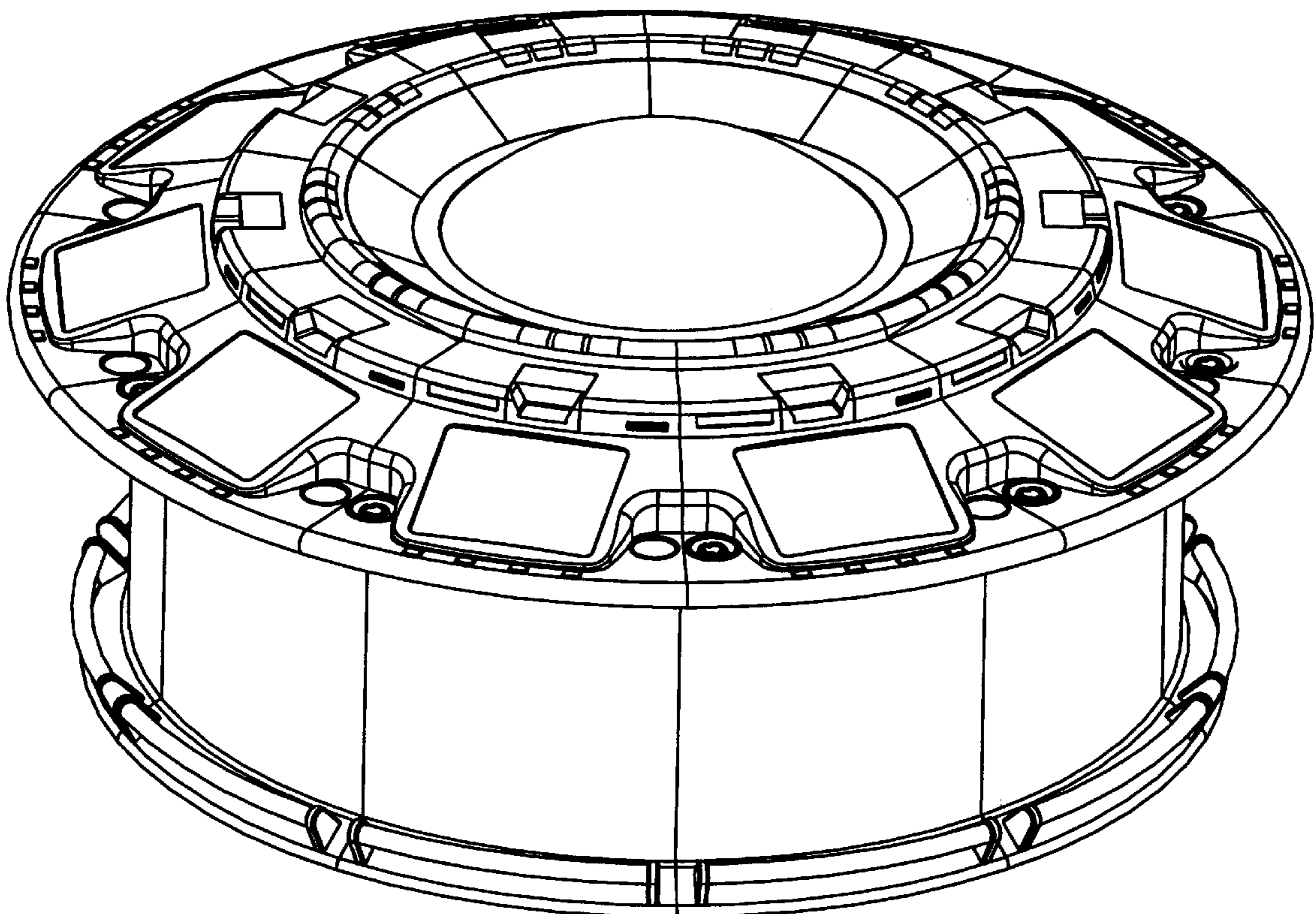


FIG. 1

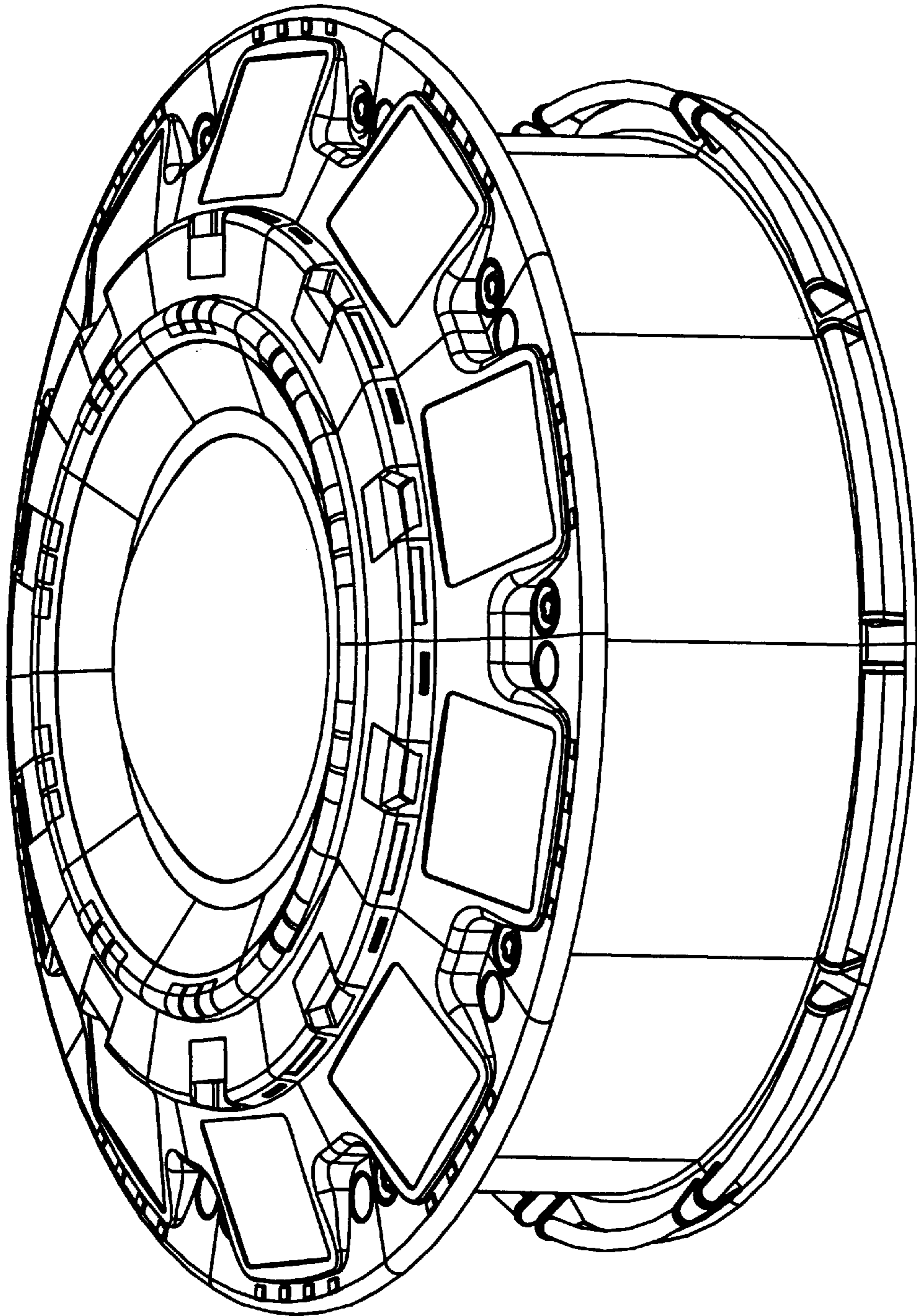


FIG. 2

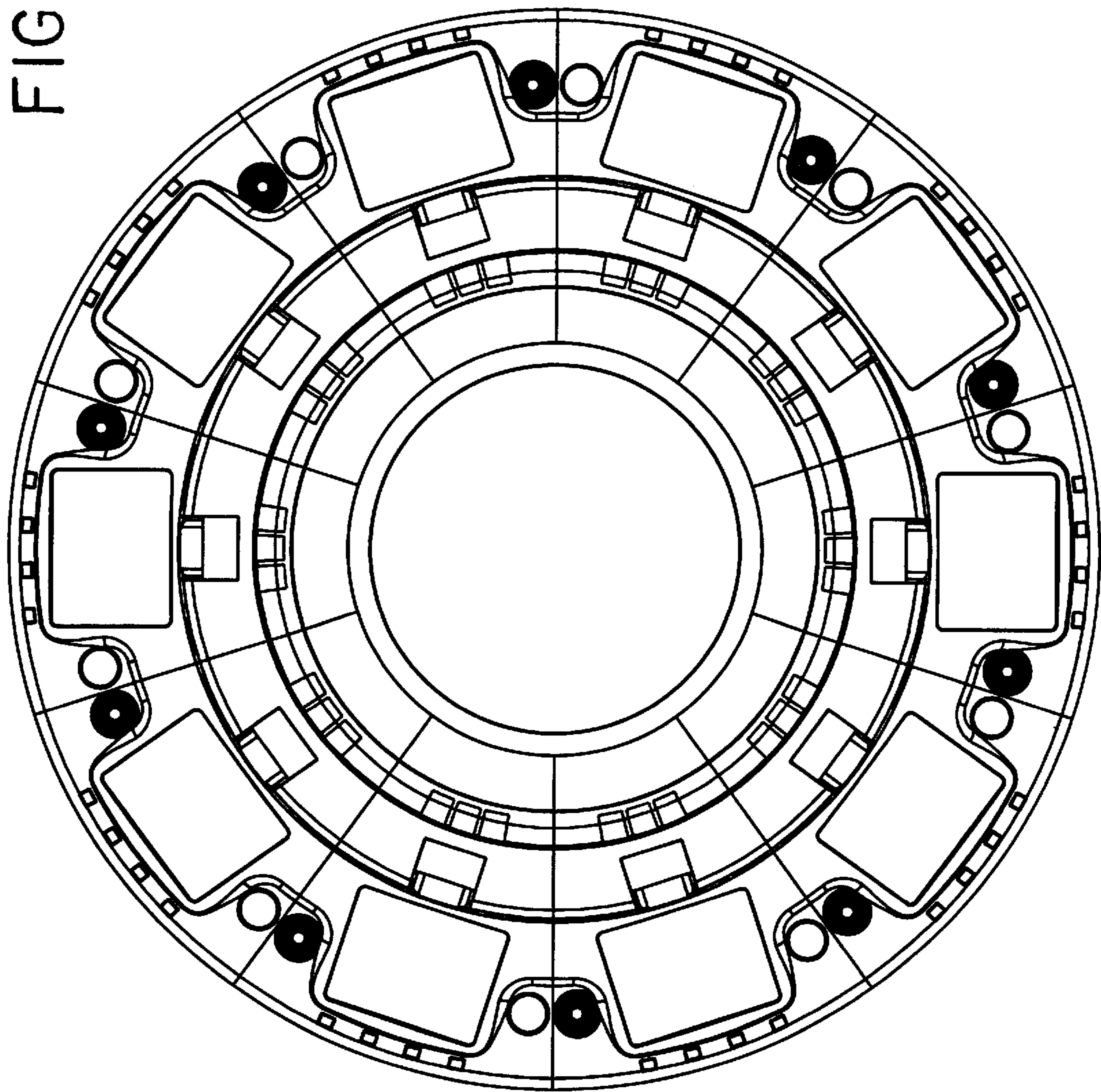


FIG. 3

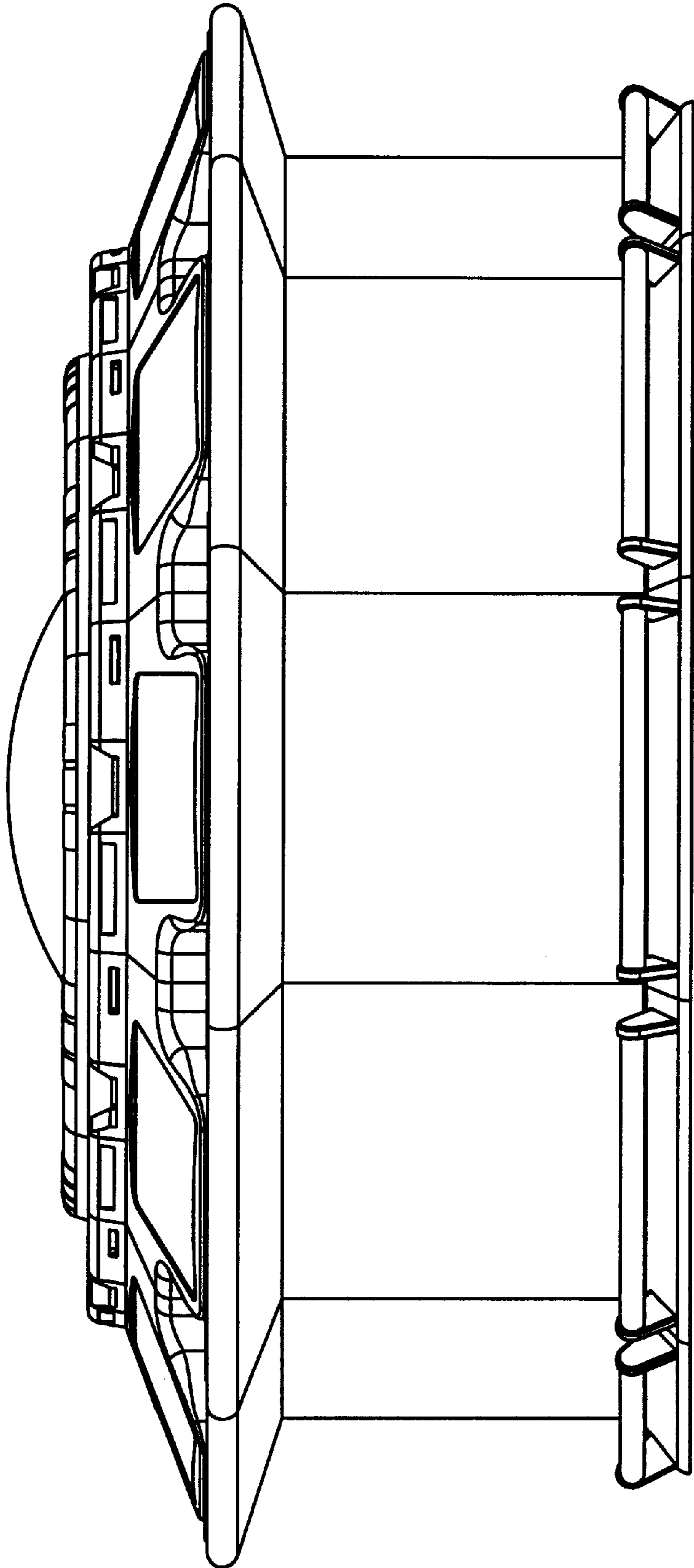


FIG. 4

