



US00D458308S

(12) **United States Design Patent**
Hsuan

(10) **Patent No.:** **US D458,308 S**

(45) **Date of Patent:** **** Jun. 4, 2002**

(54) **PUNCH**

(76) Inventor: **Yu Hsun Hsuan**, 6F, No. 440-2, Gin
Pin Road, Chong Ho City, Taipei Hsien
(TW), 235

(**) Term: **14 Years**

(21) Appl. No.: **29/132,564**

(22) Filed: **Nov. 8, 2000**

(51) **LOC (7) Cl.** **19-02**

(52) **U.S. Cl.** **D19/72; D19/65**

(58) **Field of Search** D19/65, 72, 95,
D19/99, 100; D8/98, 49-51; 30/358, 363;
83/167, 588, 618, 628, 632, 633, 571, 625-627,
667, 669, 684

(56) **References Cited**

U.S. PATENT DOCUMENTS

D169,080 S * 3/1953 Marano D19/72

2,717,643 A * 9/1955 Marano 83/588
D193,230 S * 7/1962 Klein D19/72
3,944,373 A * 3/1976 Farjon et al. 30/358 X

* cited by examiner

Primary Examiner—Martie K. Holtje

(57) **CLAIM**

The ornamental design for a punch, as shown and described.

DESCRIPTION

FIG. 1 is a perspective view of a punch showing my new design;

FIG. 2 is a front elevational view thereof;

FIG. 3 is a rear elevational view thereof;

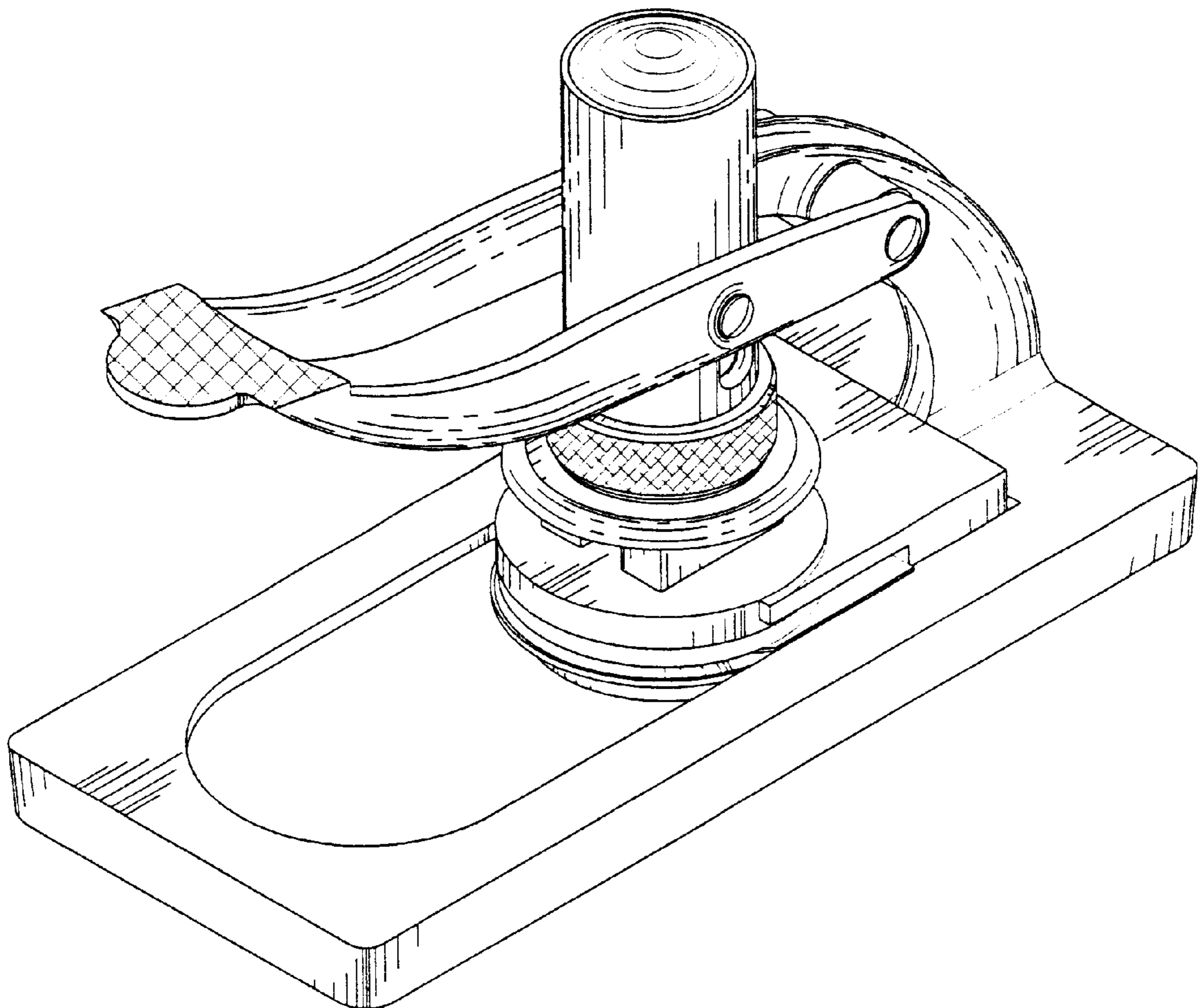
FIG. 4 is a top plan view thereof;

FIG. 5 is a bottom plan view thereof;

FIG. 6 is a left side elevational view thereof; and,

FIG. 7 is a right side elevational view thereof.

1 Claim, 4 Drawing Sheets



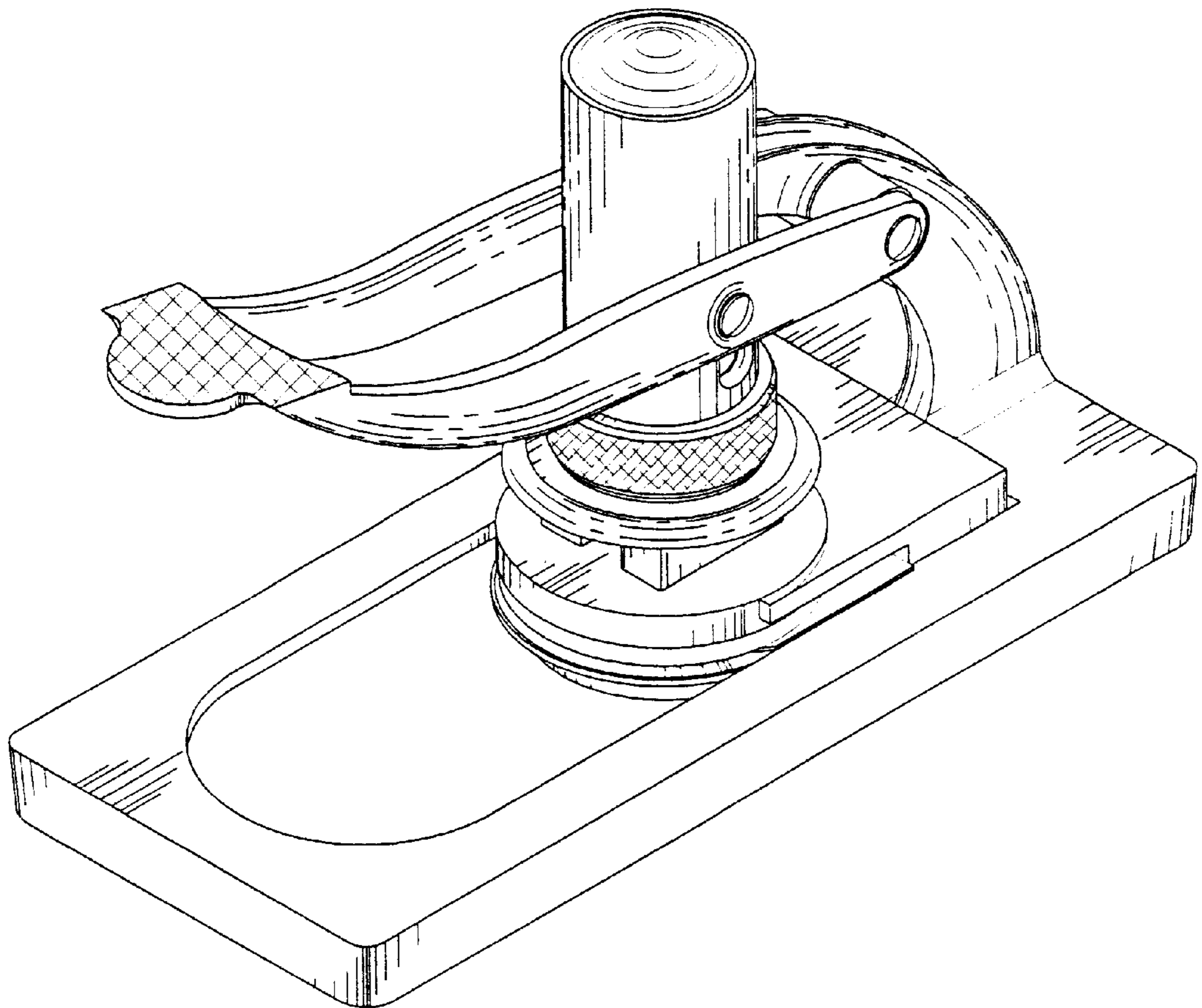


FIG. 1

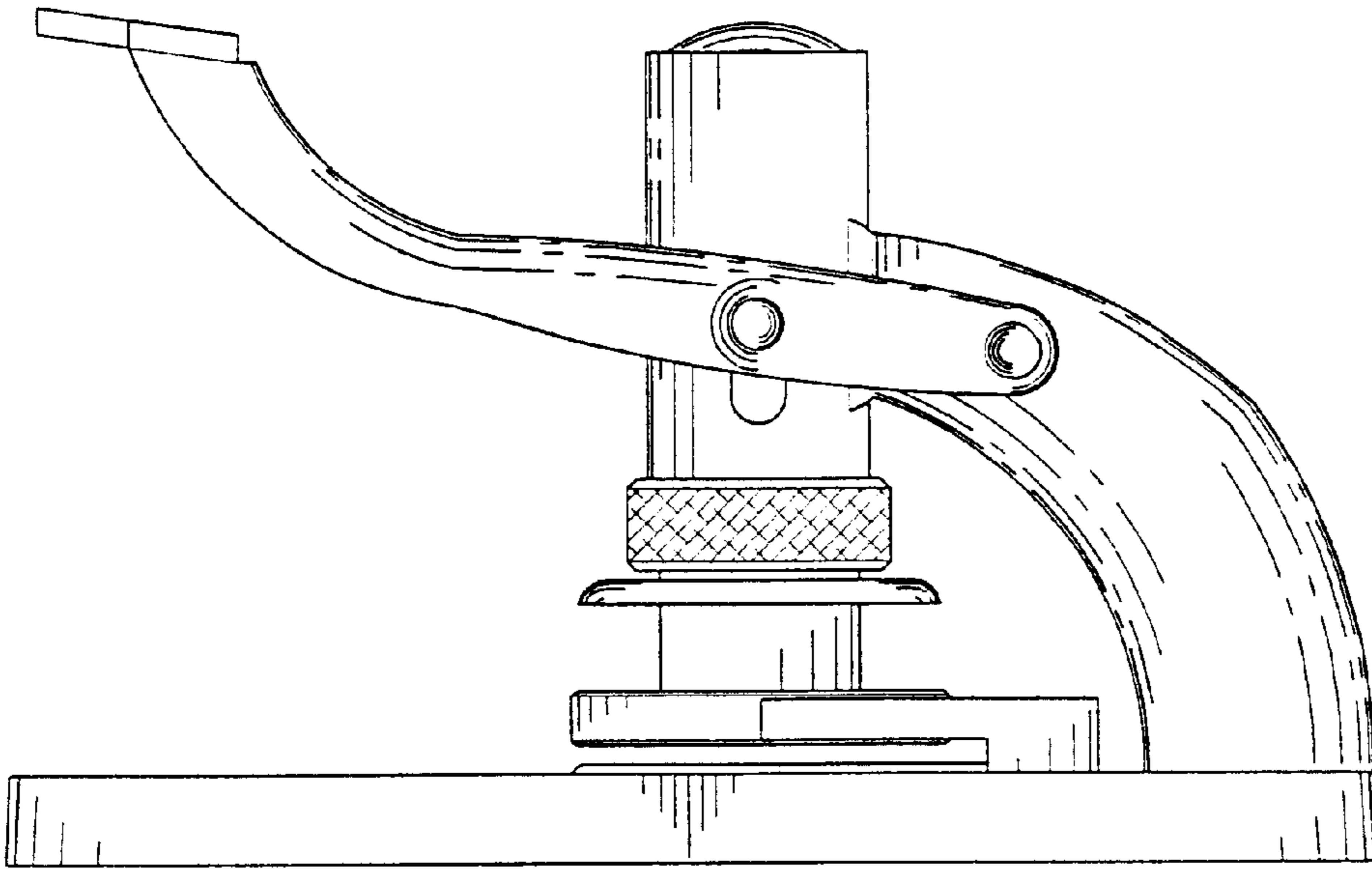


FIG. 2

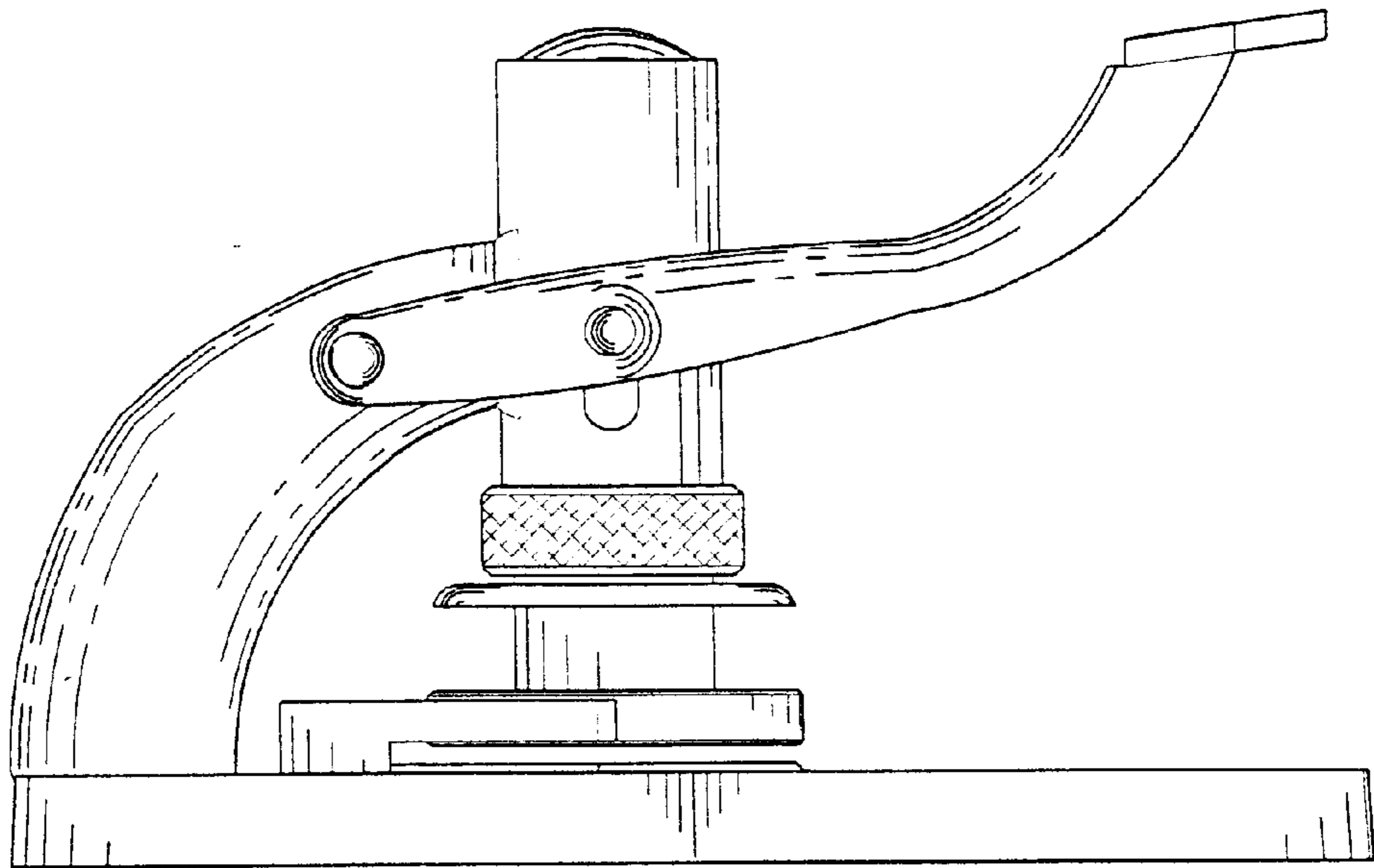


FIG. 3

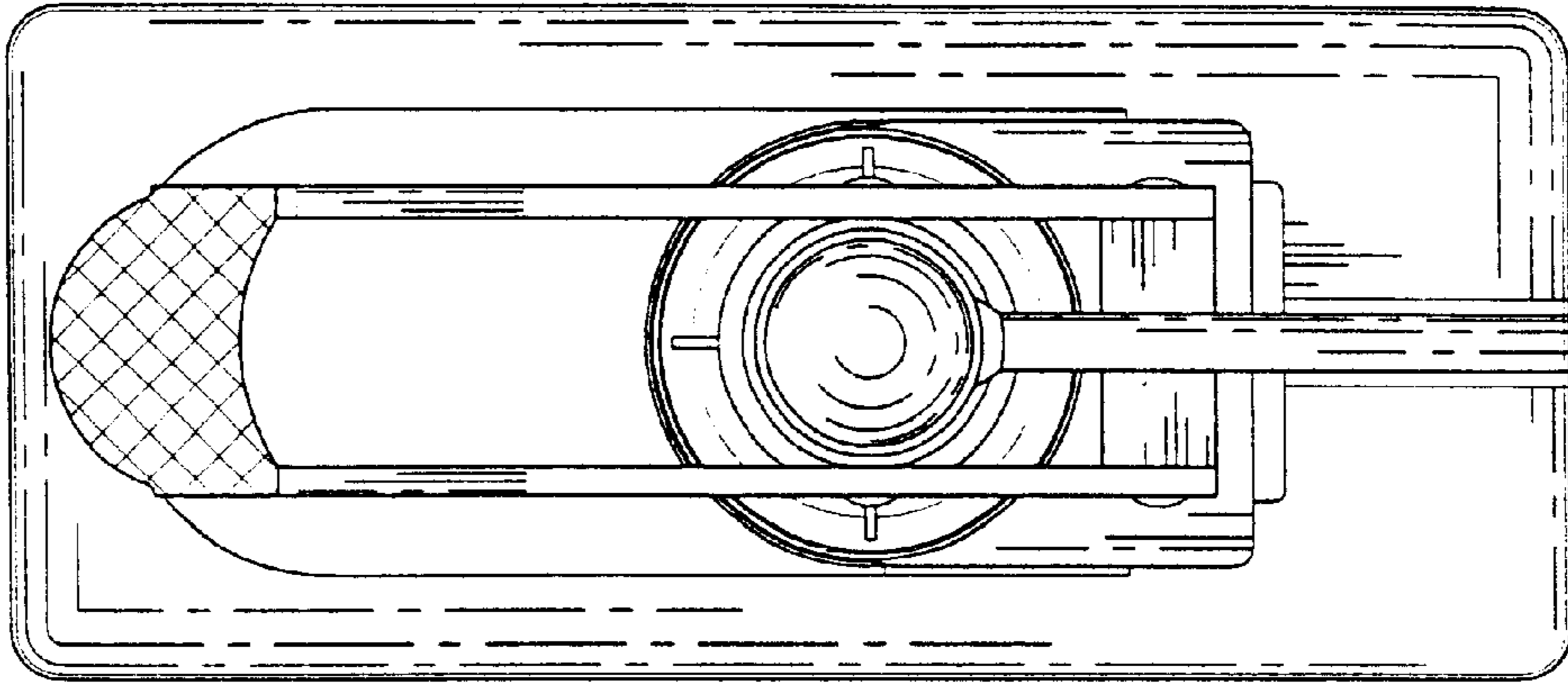


FIG. 4

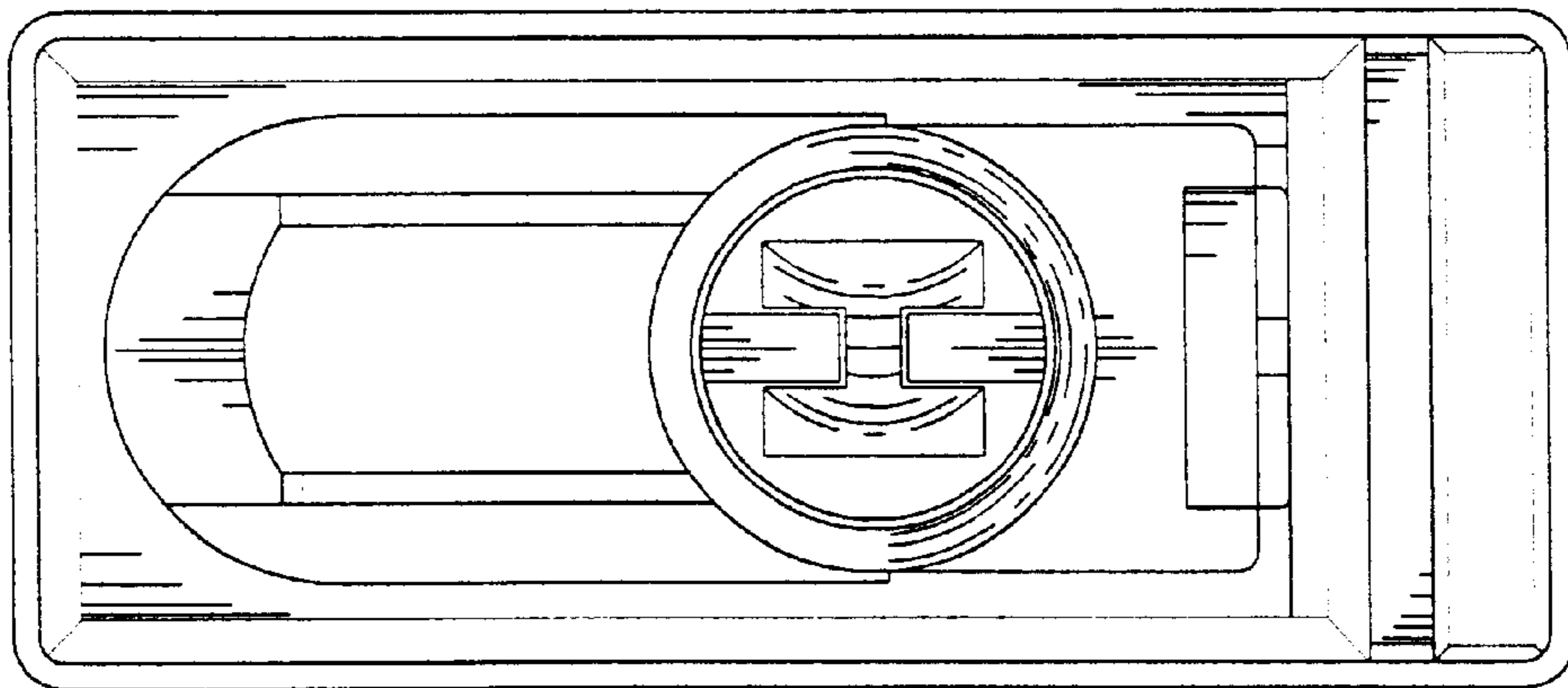


FIG. 5

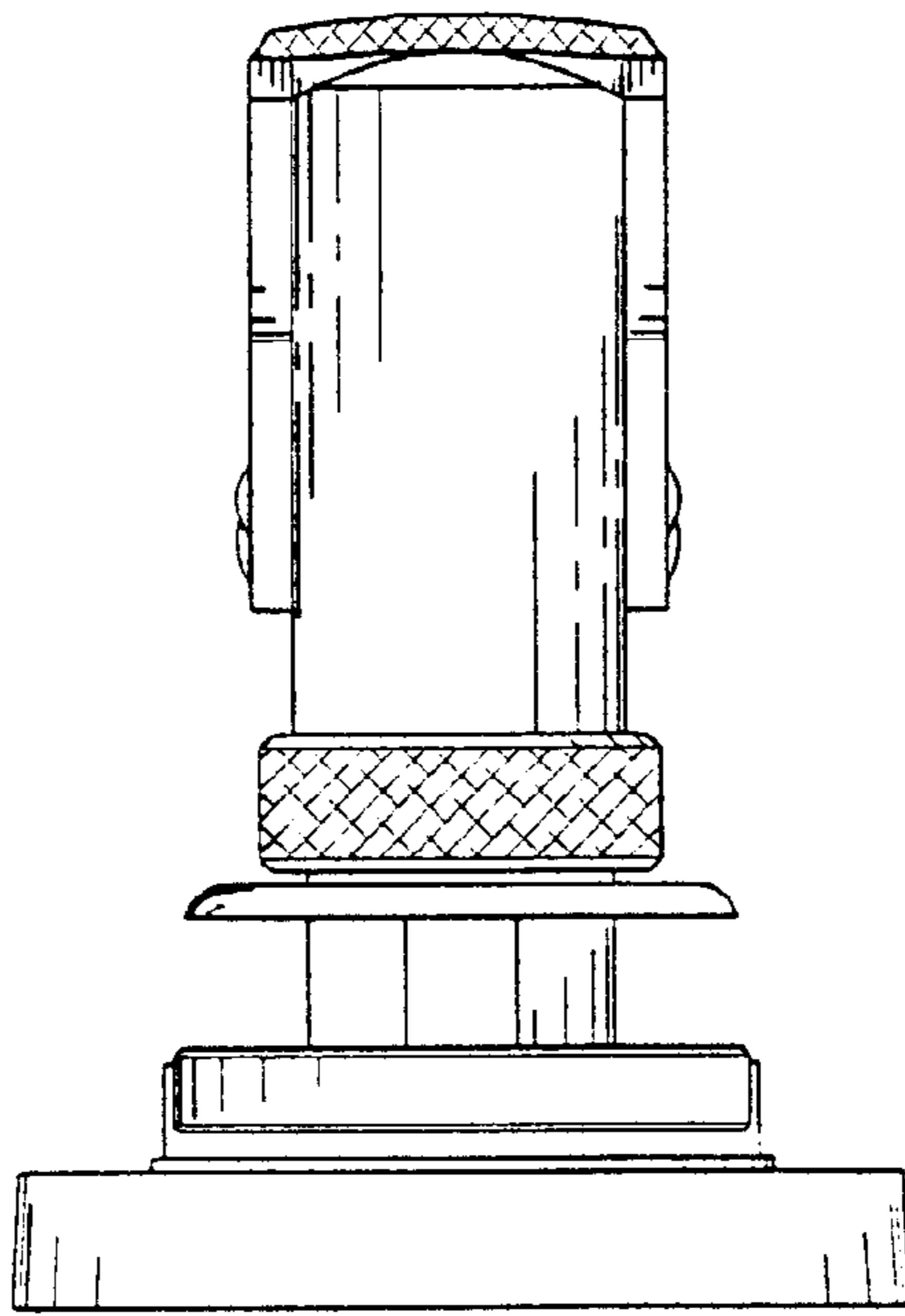


FIG. 6

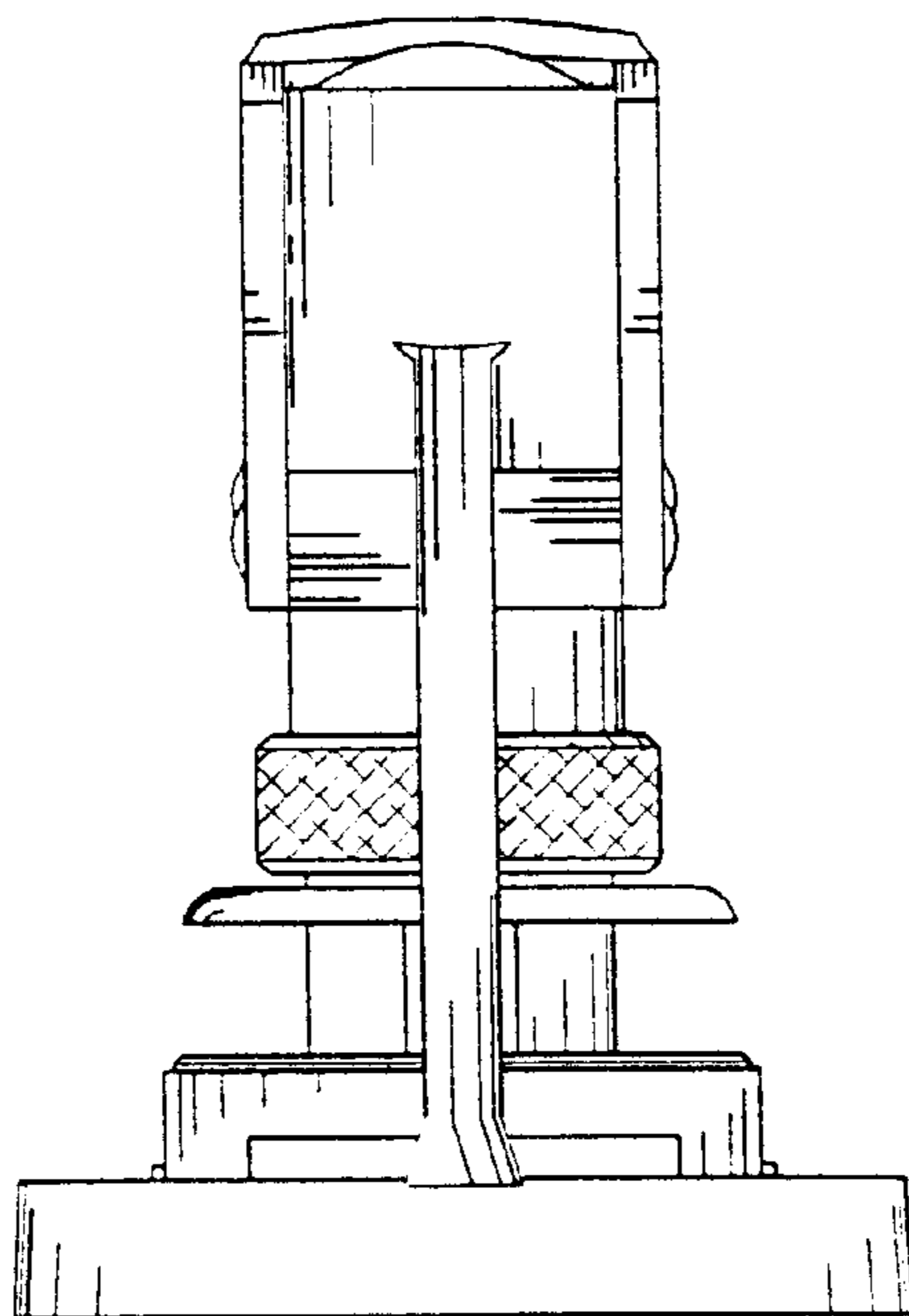


FIG. 7