



US00D458307S

(12) **United States Design Patent**
Halstead

(10) **Patent No.:** **US D458,307 S**

(45) **Date of Patent:** **** Jun. 4, 2002**

(54) **BOOK CLIP**

(76) **Inventor:** **Florence Halstead**, 190 El Cerrito Plz.
#189, El Cerrito, CA (US) 94530

(**) **Term:** **14 Years**

(21) **Appl. No.:** **29/146,303**

(22) **Filed:** **Aug. 6, 2001**

(51) **LOC (7) Cl.** **19-02**

(52) **U.S. Cl.** **D19/65; D19/91; D19/34**

(58) **Field of Search** **D19/34, 65, 90,**
D19/91, 99, 100; D8/395; 281/42, 33, 45;
24/67 R, 67.1-67.11, 452, 453; 248/448-453,
546, 444.1

(56) **References Cited**

U.S. PATENT DOCUMENTS

140,300 A * 6/1873 Ogden 281/42 X
1,196,715 A * 8/1916 Noll 281/42
3,135,532 A * 6/1964 Rankin et al. 281/33
4,235,457 A * 11/1980 Brewer 24/67.3 X
4,932,680 A * 6/1990 Rivera 281/42

D322,095 S * 12/1991 Rivera D19/65

D322,459 S * 12/1991 Pimienta D19/34

6,019,339 A * 2/2000 Brayford 248/441.1

* cited by examiner

Primary Examiner—Martie K. Holtje

(57) **CLAIM**

I claim the ornamental design of a book clip, as shown and described.

DESCRIPTION

FIG. 1 is a front elevational view of a book clip, showing my new design;

FIG. 2 is rear elevational view thereof;

FIG. 3 is a right side elevational view thereof, the left side view being a mirror image;

FIG. 4 is a perspective view thereof;

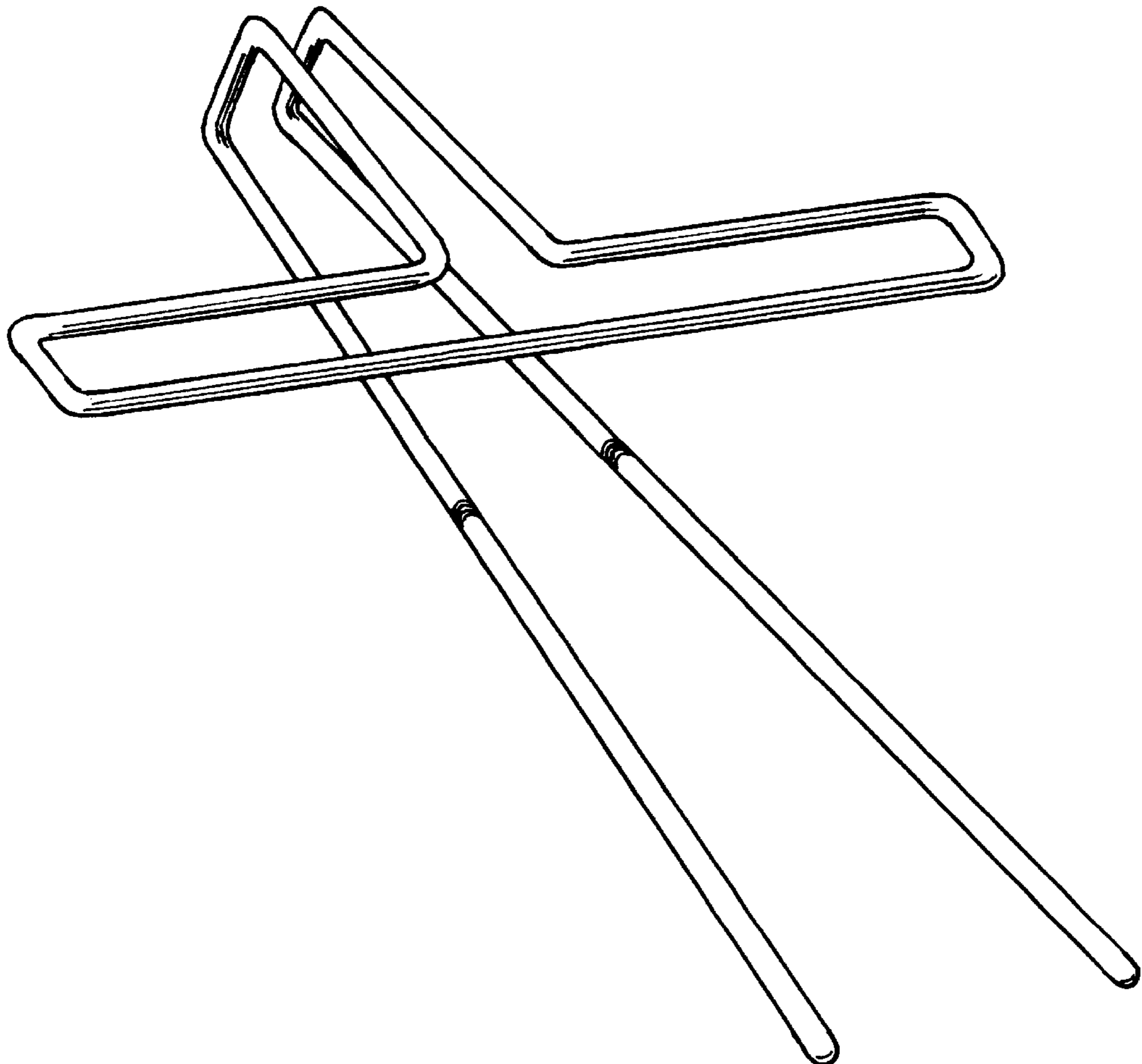
FIG. 5 is a top plan view thereof;

FIG. 6 is a bottom plan view thereof; and,

FIG. 7 is a view of the book clip in a book.

A book in FIG. 7 is shown in broken lines for illustrative purposes only and forms no part of the claimed design.

1 Claim, 7 Drawing Sheets



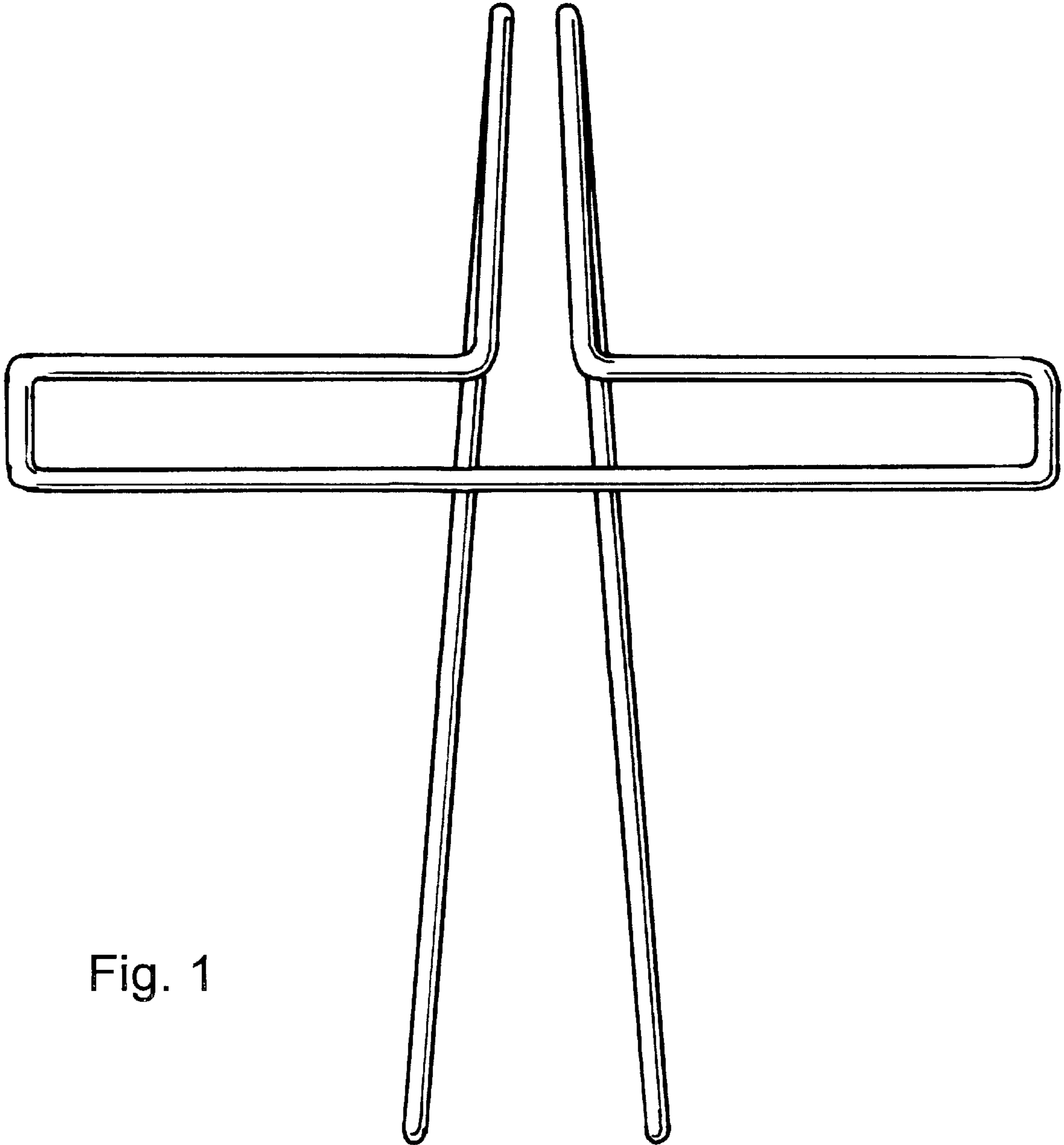


Fig. 1

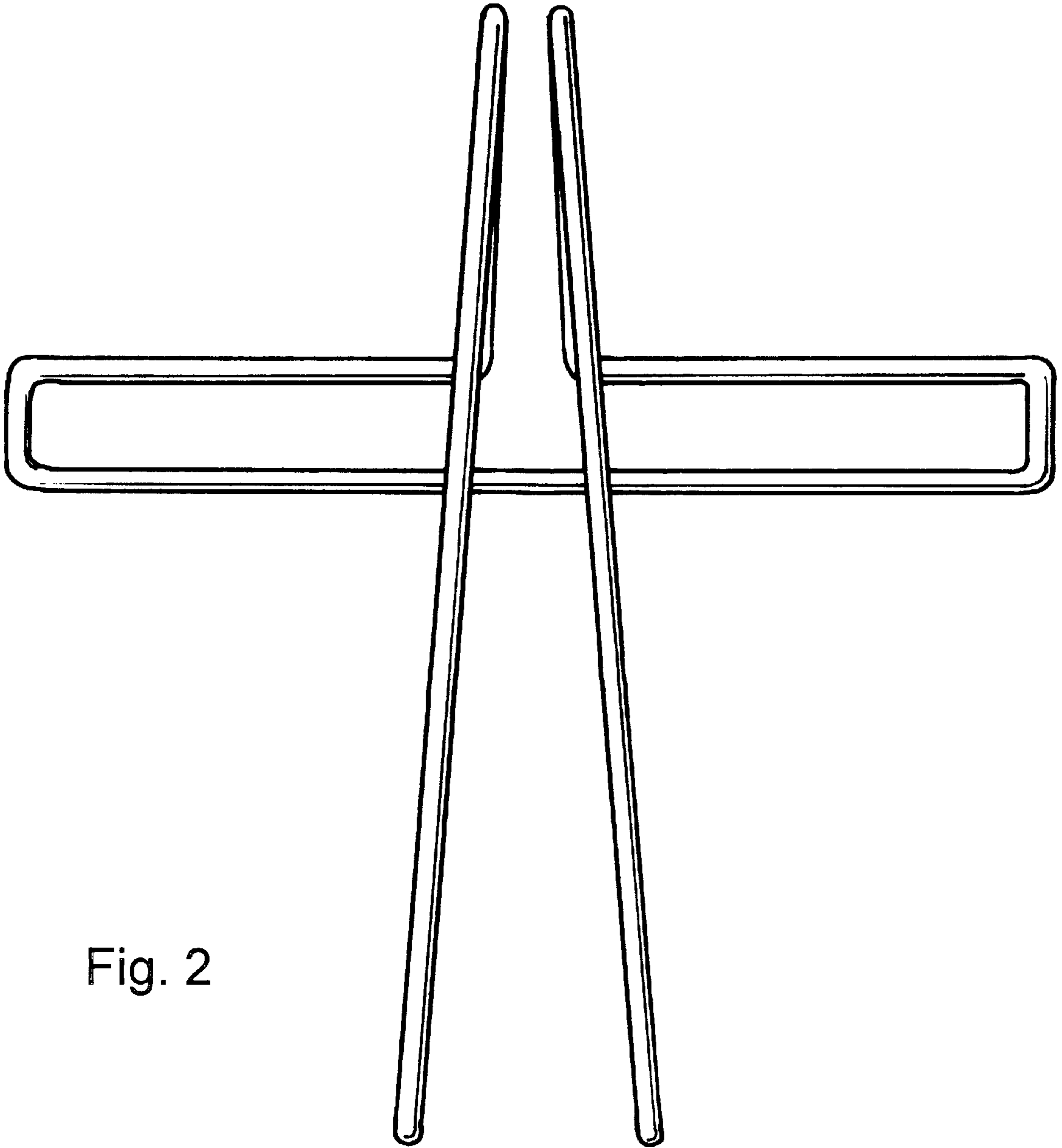


Fig. 2

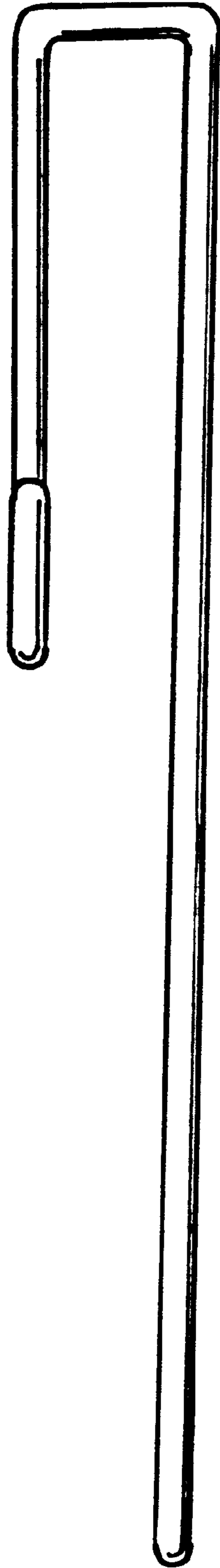


Fig. 3

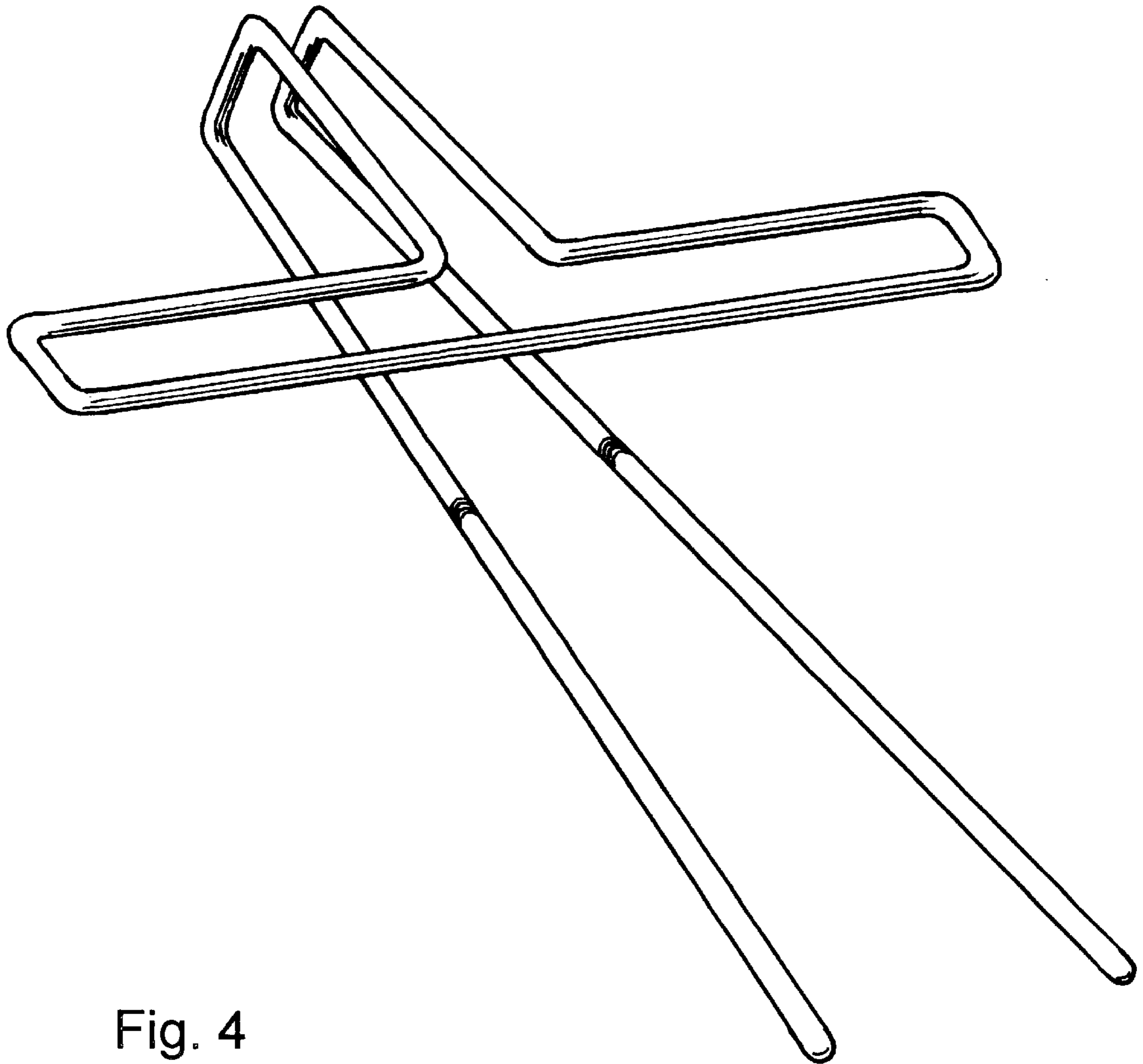


Fig. 4

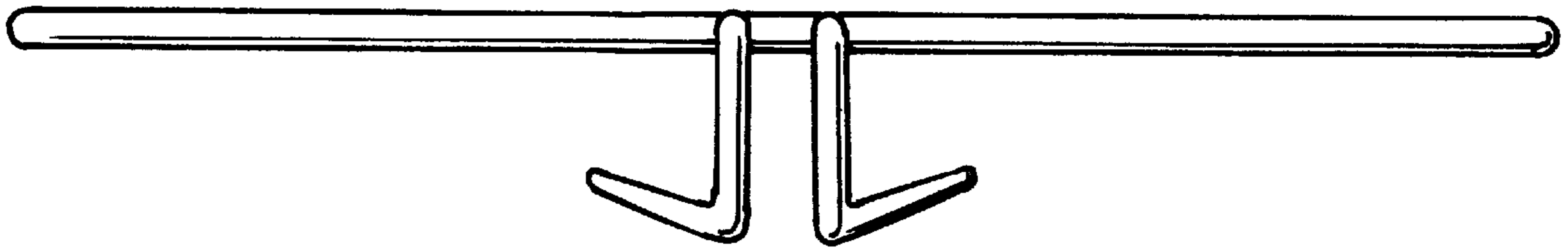


Fig. 5

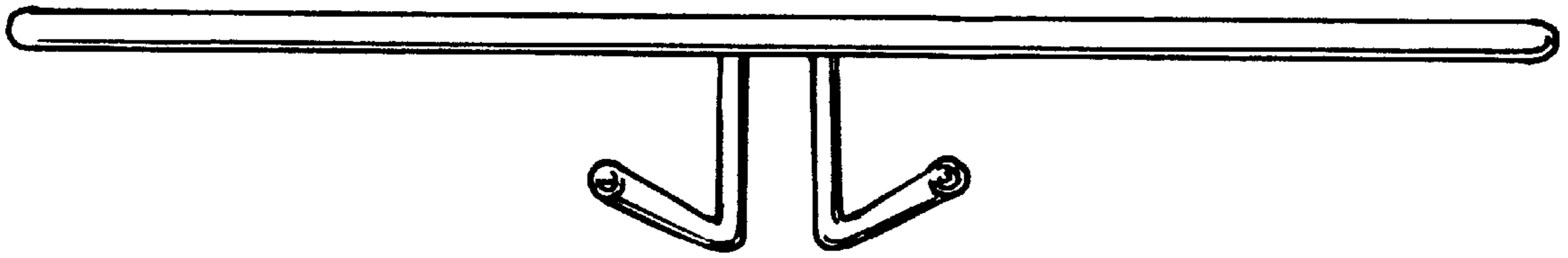


Fig. 6

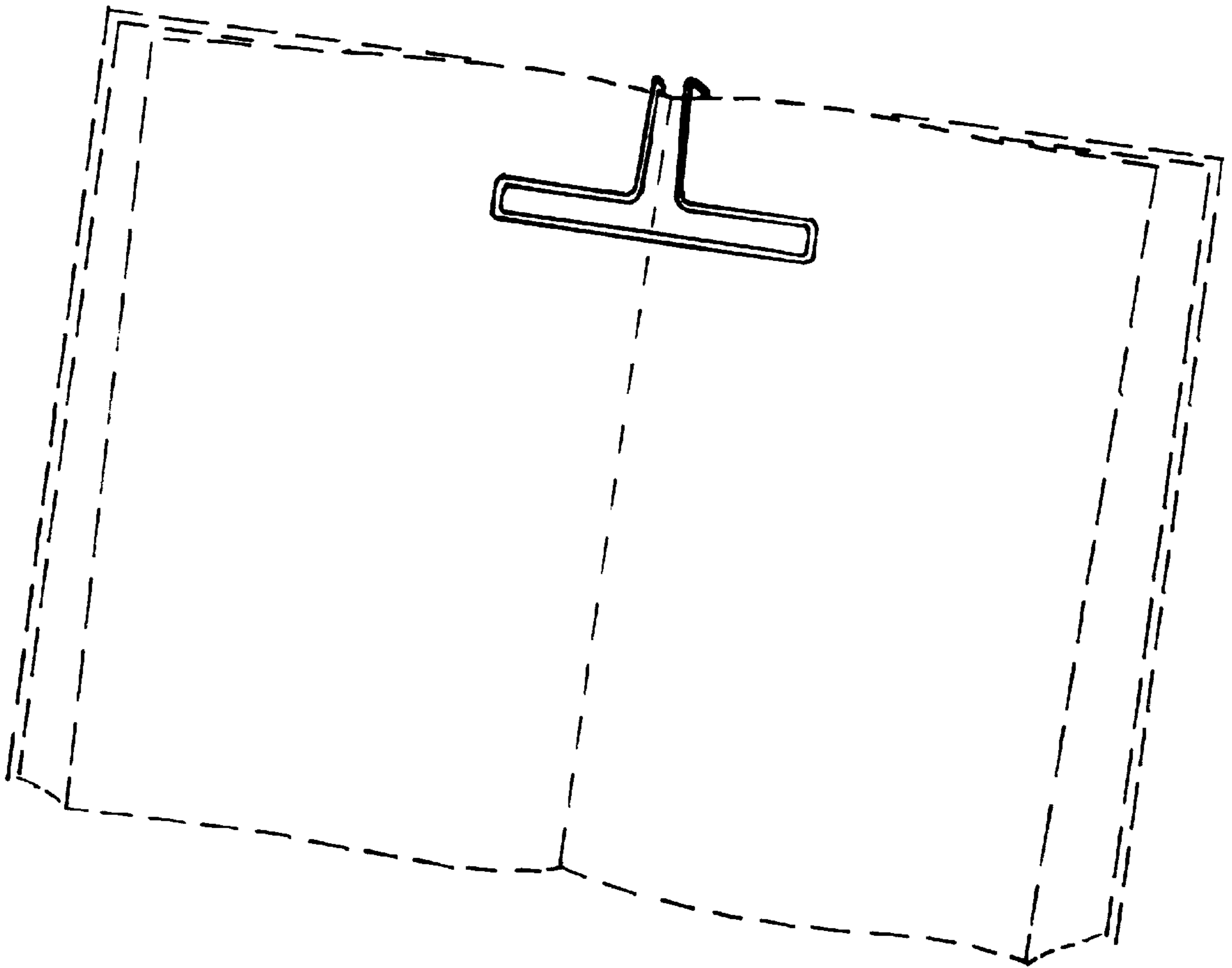


Fig. 7