



US00D458300S

(12) **United States Design Patent**
Kwon

(10) **Patent No.:** **US D458,300 S**

(45) **Date of Patent:** **** Jun. 4, 2002**

(54) **TONER CARTRIDGE**

(75) **Inventor:** **Se-il Kwon, Seoul (KR)**

(73) **Assignee:** **Lexmark International, Inc.,
Lexington, KY (US)**

(**) **Term:** **14 Years**

(21) **Appl. No.:** **29/148,232**

(22) **Filed:** **Sep. 17, 2001**

(51) **LOC (7) Cl.** **16-03**

(52) **U.S. Cl.** **D18/43**

(58) **Field of Search** D18/36, 40, 43,
D18/56; 222/DIG. 1; 399/24-28, 61, 99,
106, 111, 262

(56) **References Cited**

U.S. PATENT DOCUMENTS

D374,455 S * 10/1996 Senshiki D18/43
D378,830 S * 4/1997 Kim D18/43

D397,140 S * 8/1998 Oshida D18/40
D401,616 S * 11/1998 Miyazawa D18/40
D433,441 S * 11/2000 Yonekawa et al. D18/43

* cited by examiner

Primary Examiner—Caron D. Veynar

(74) *Attorney, Agent, or Firm*—John A. Brady

(57) **CLAIM**

The ornamental design for a toner cartridge, as shown and described

DESCRIPTION

FIG. 1 is a top front, left side perspective view of a toner cartridge showing my new design;
FIG. 2 is a front elevational view thereof;
FIG. 3 is a left side elevational view thereof;
FIG. 4 is a right side elevational view thereof;
FIG. 5 is a top plan view thereof;
FIG. 6 is a rear elevational view thereof; and,
FIG. 7 is a bottom plan view thereof.

1 Claim, 7 Drawing Sheets

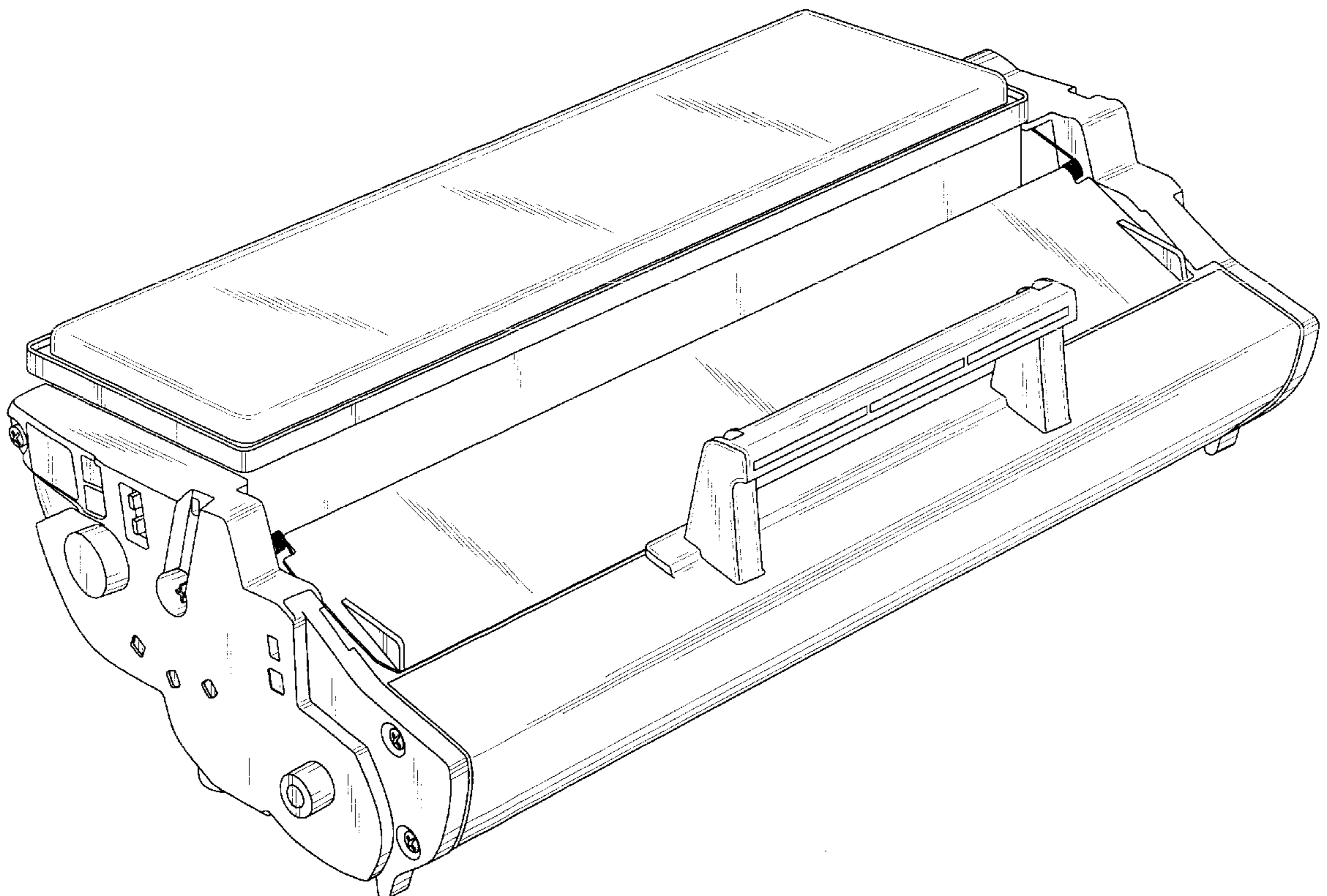


FIG. 1

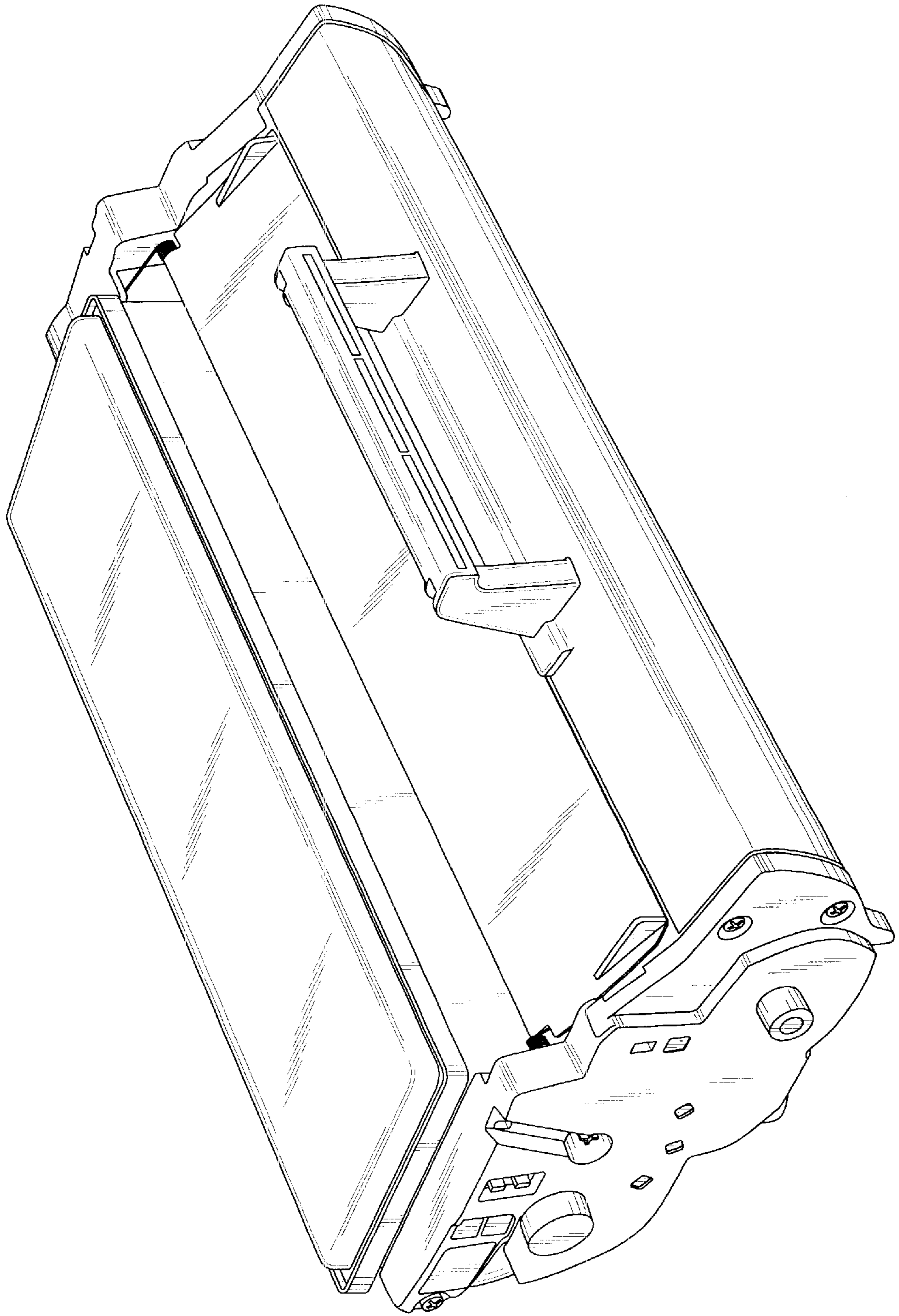


FIG. 2

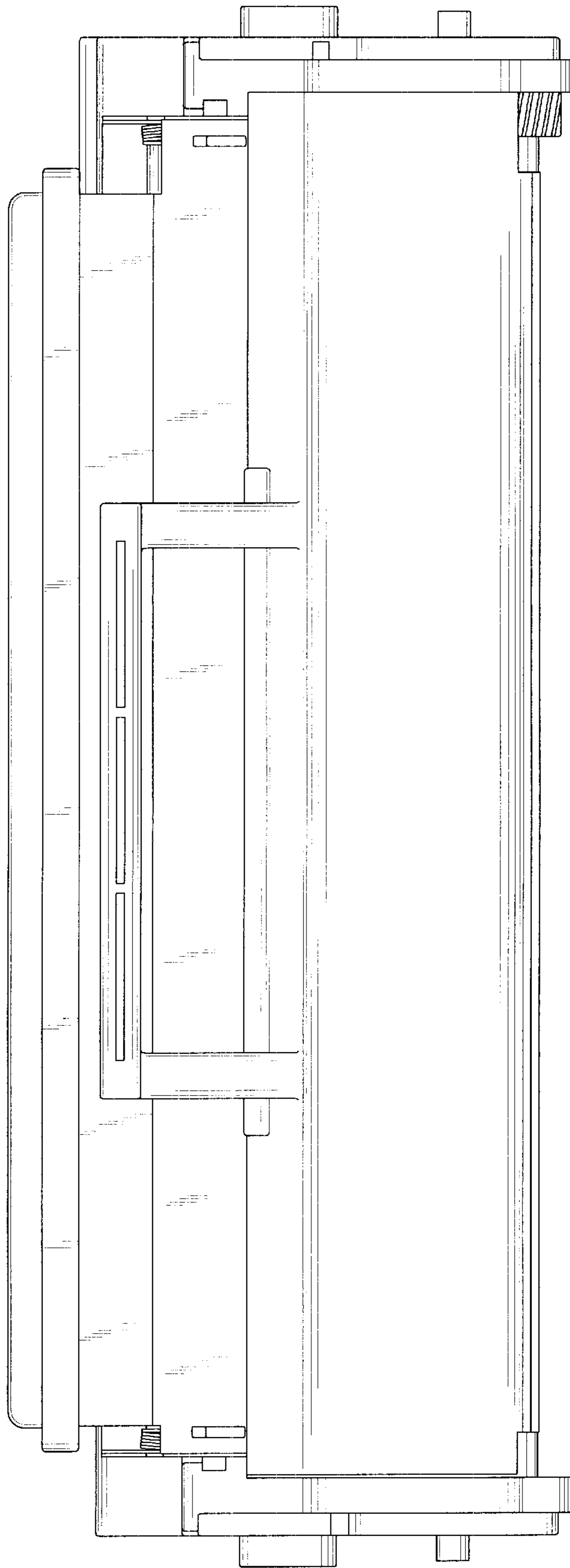


FIG. 3

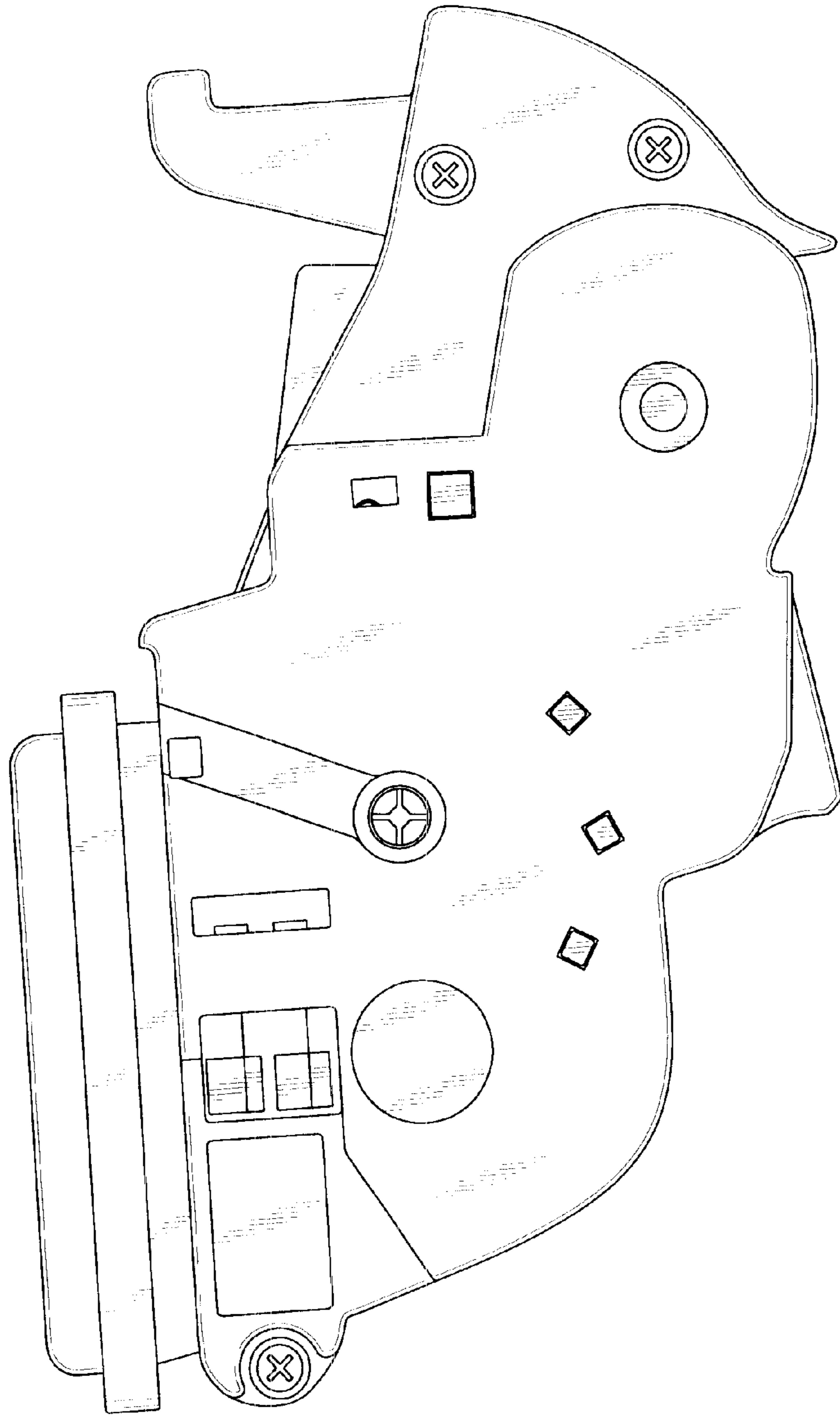


FIG. 4

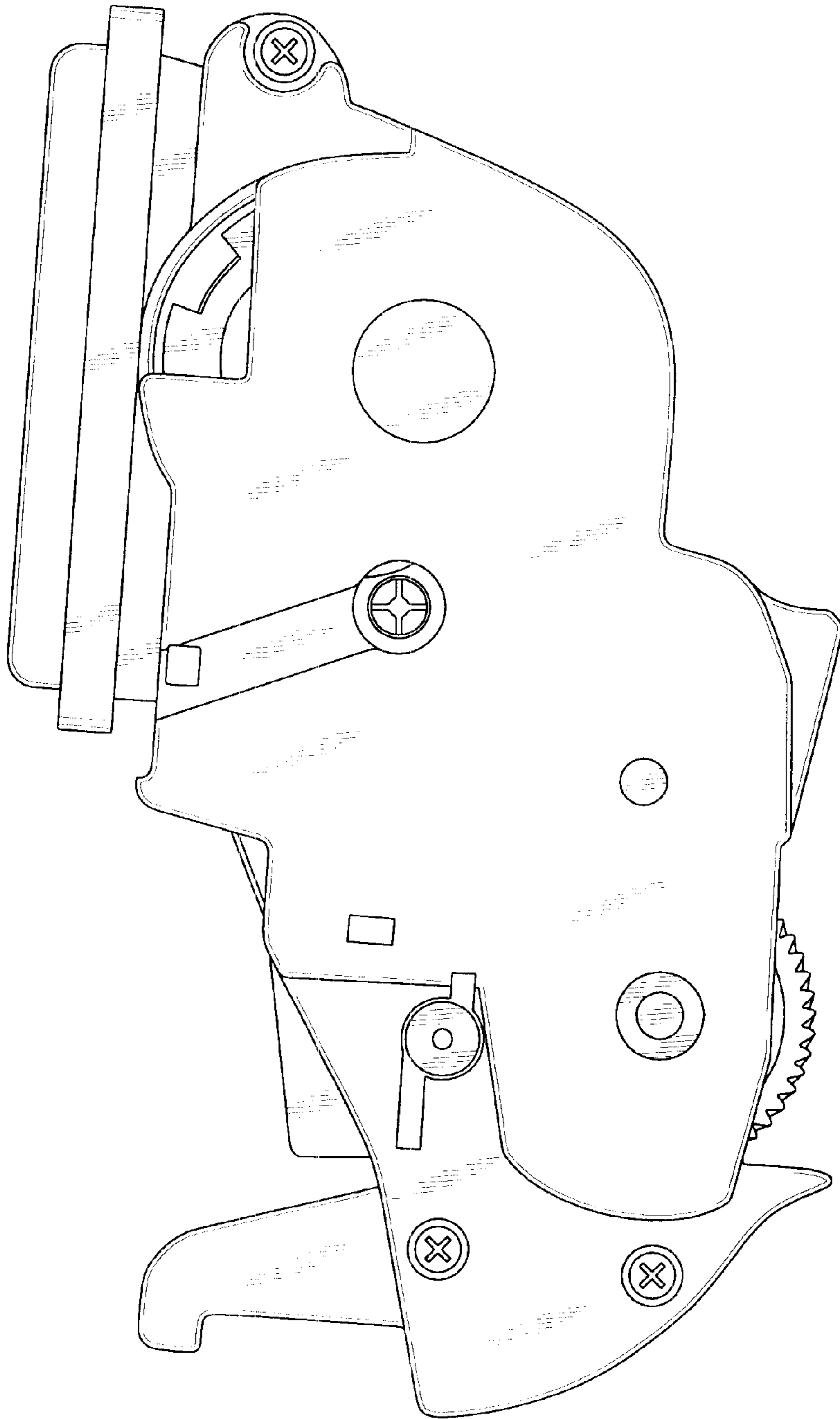


FIG. 5

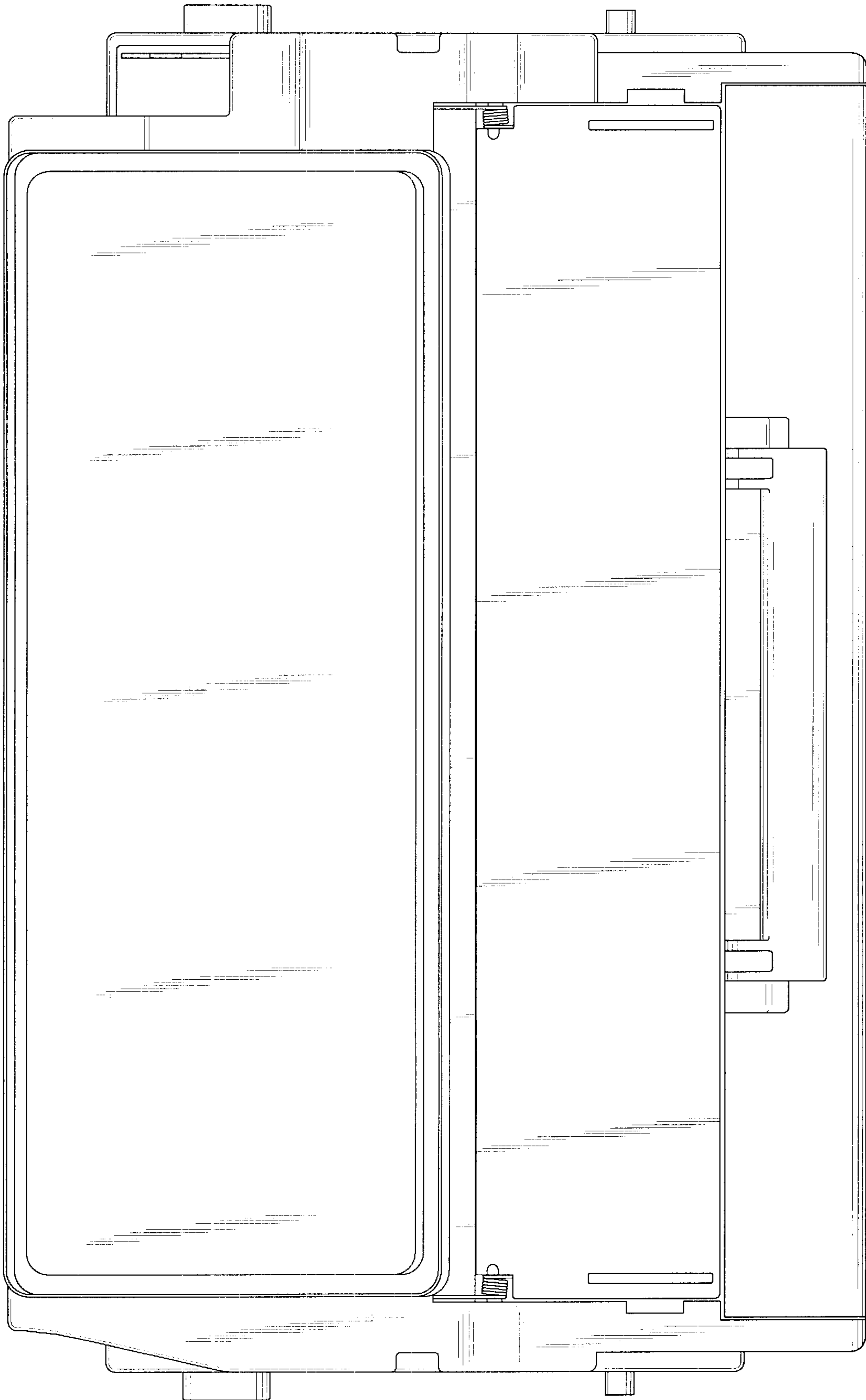


FIG. 6

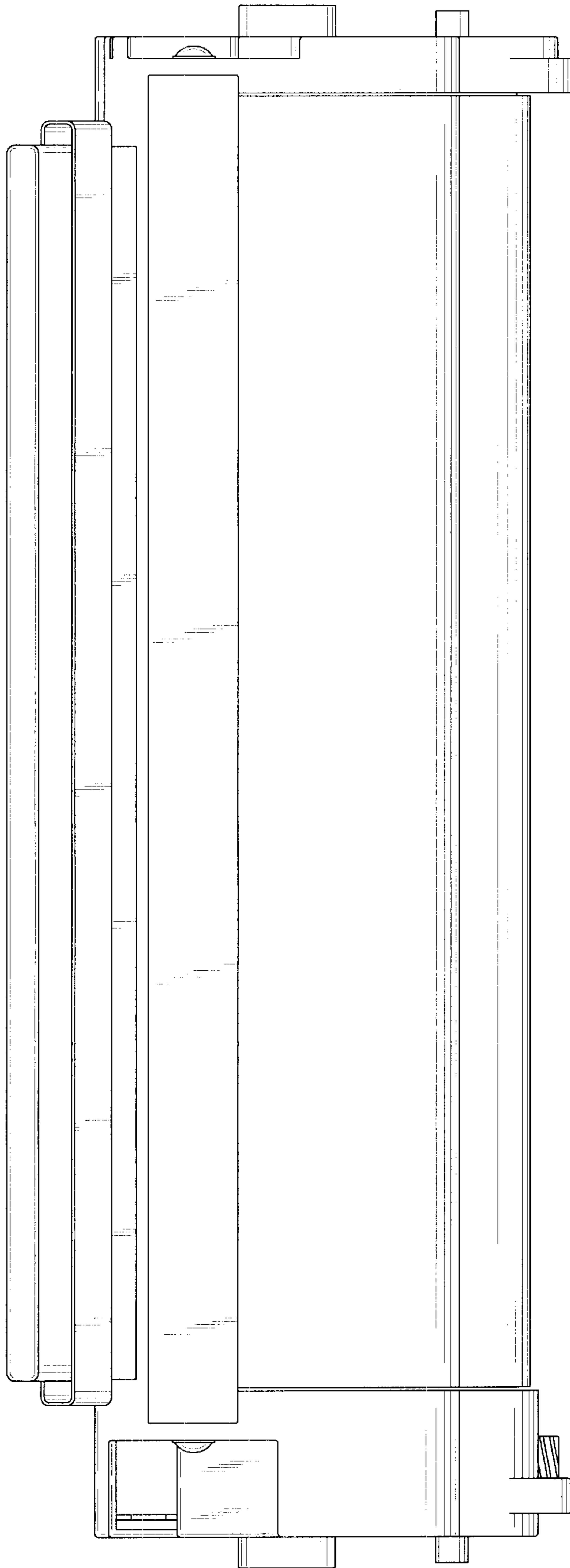


FIG. 7

