



US00D458299S

(12) **United States Design Patent**
Koizumi et al.

(10) **Patent No.:** **US D458,299 S**
(45) **Date of Patent:** **** Jun. 4, 2002**

(54) **IMAGE FORMING APPARATUS**

(75) Inventors: **Hiromitsu Koizumi; Takeshi Okoshi,**
both of Iwatsuki (JP)

(73) Assignee: **Fuji Xerox Co., Ltd., Tokyo (JP)**

(**) Term: **14 Years**

(21) Appl. No.: **29/145,081**

(22) Filed: **Jul. 17, 2001**

(30) **Foreign Application Priority Data**

Jan. 22, 2001 (JP) 2001-001091

(51) **LOC (7) Cl.** **16-03**

(52) **U.S. Cl.** **D18/40**

(58) **Field of Search** D18/40, 43, 56;
399/24-27, 31, 32, 110-123, 130, 165,
262

(56) **References Cited**

U.S. PATENT DOCUMENTS

D398,633 S * 9/1998 Hashizume et al. D18/40
D408,444 S * 4/1999 Maeda D18/40

6,167,223 A * 12/2000 Fiore et al. 399/165

* cited by examiner

Primary Examiner—Caron D. Veynar

(74) *Attorney, Agent, or Firm*—Oliff & Berridge, PLC

(57) **CLAIM**

The ornamental design for an image forming apparatus, as shown and described.

DESCRIPTION

FIG. 1 is a perspective view of the top, front and right side of an image forming apparatus showing our new design; FIG. 2 is a perspective view of the top, rear and left side thereof;

FIG. 3 is a perspective view of the bottom, front and right side thereof;

FIG. 4 is a front view thereof;

FIG. 5 is a top plan view thereof;

FIG. 6 is a left side view thereof;

FIG. 7 is a right side view thereof;

FIG. 8 is a rear view thereof; and,

FIG. 9 is a bottom view thereof.

1 Claim, 8 Drawing Sheets

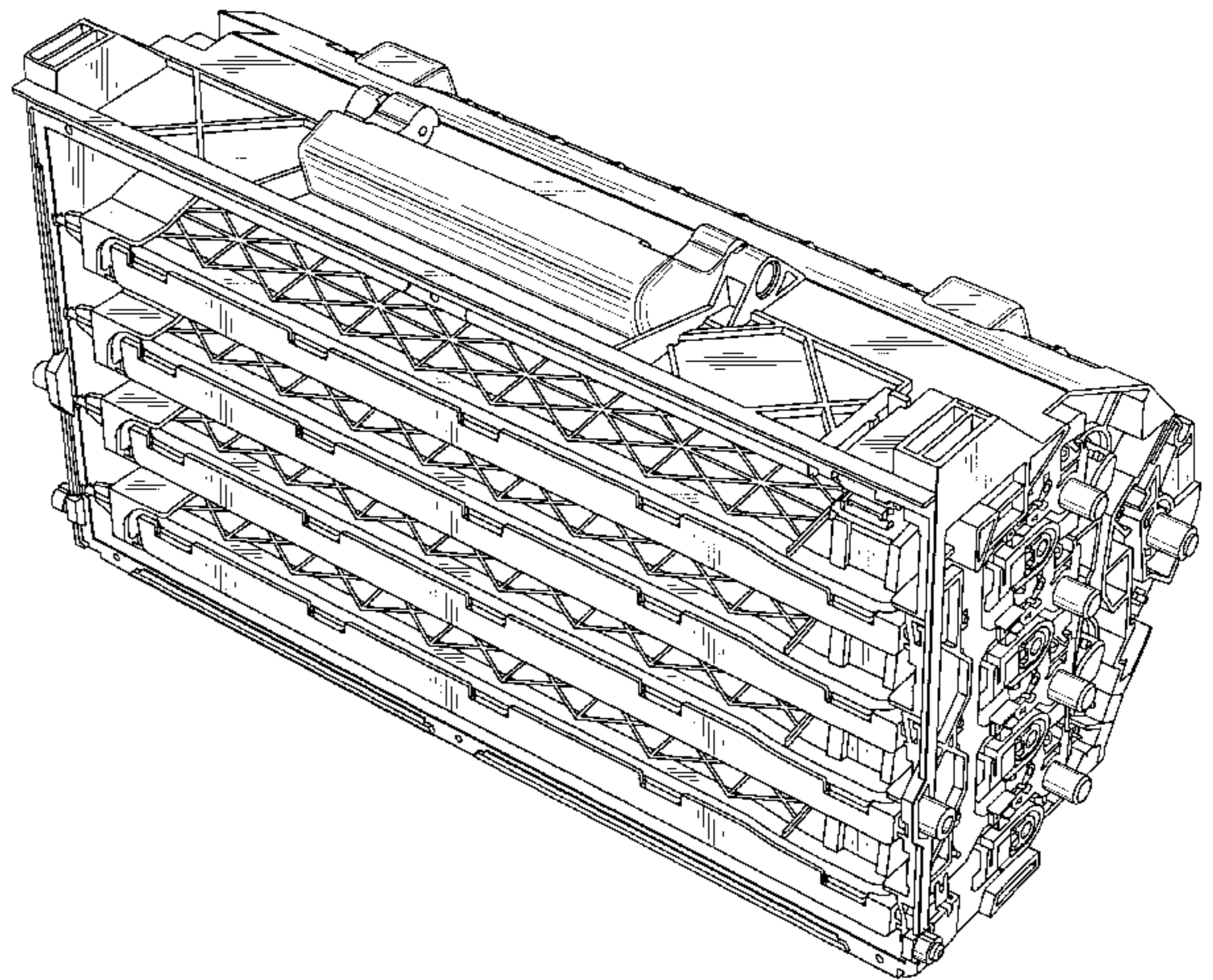
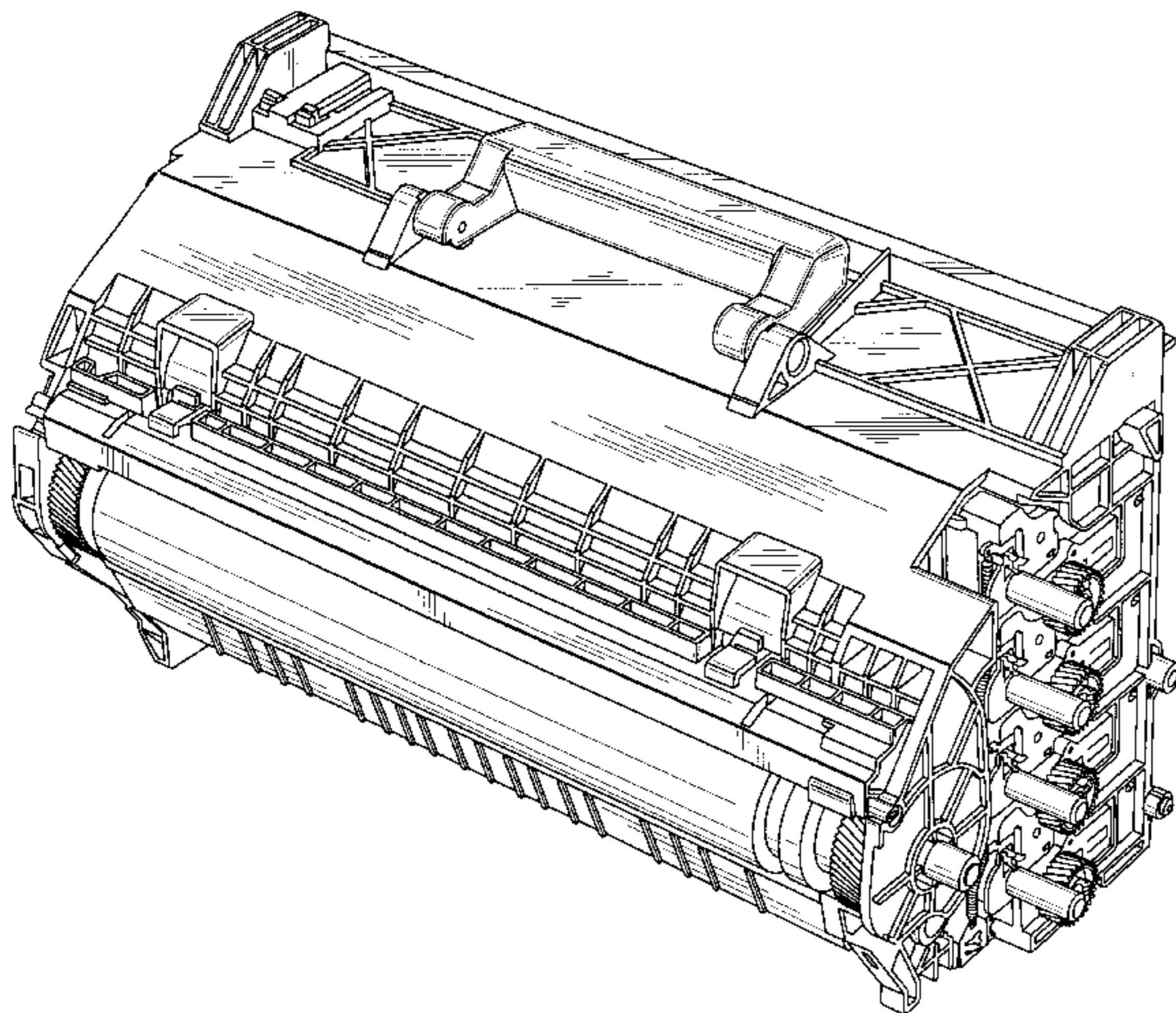


FIG. 1

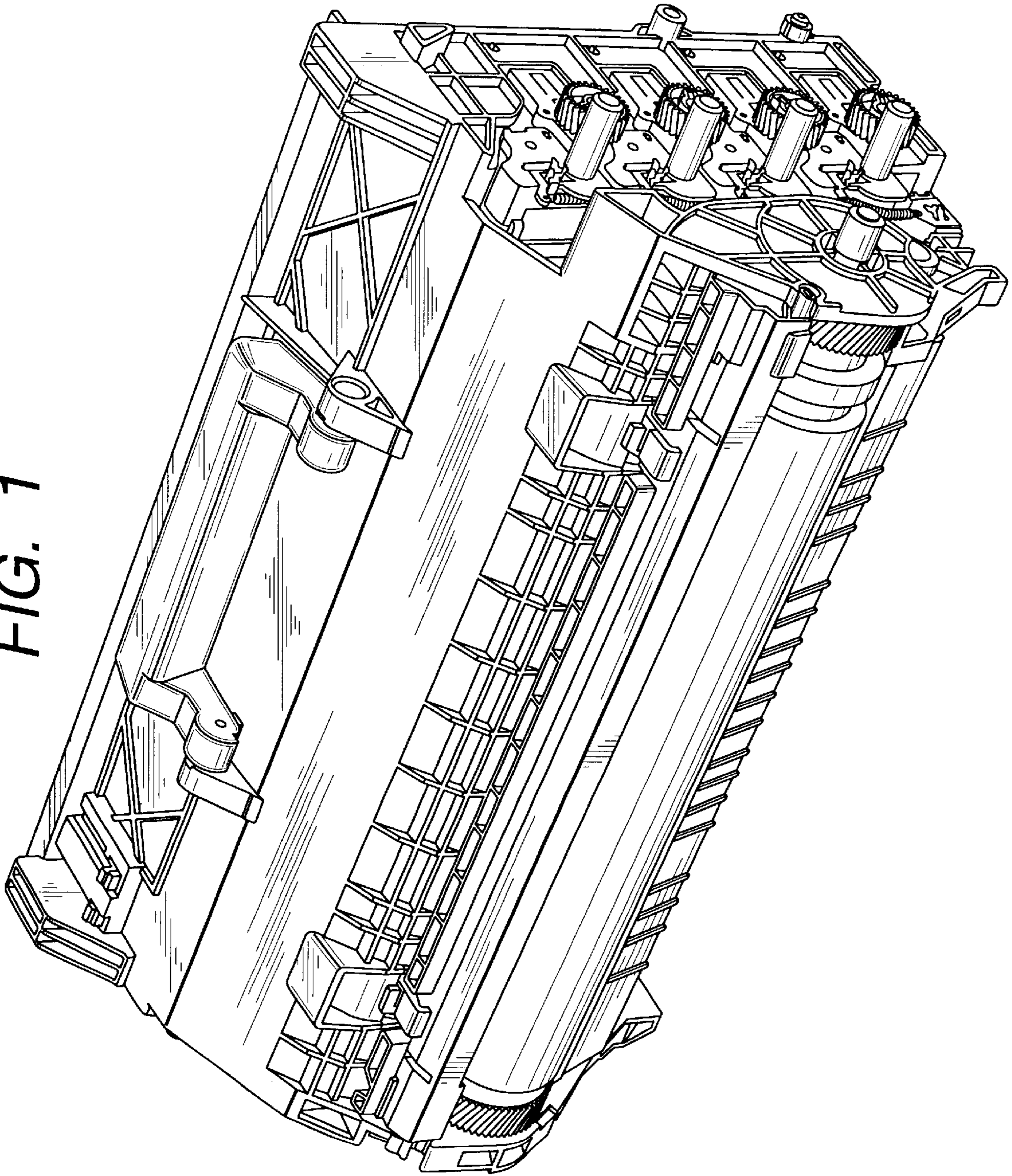


FIG. 2

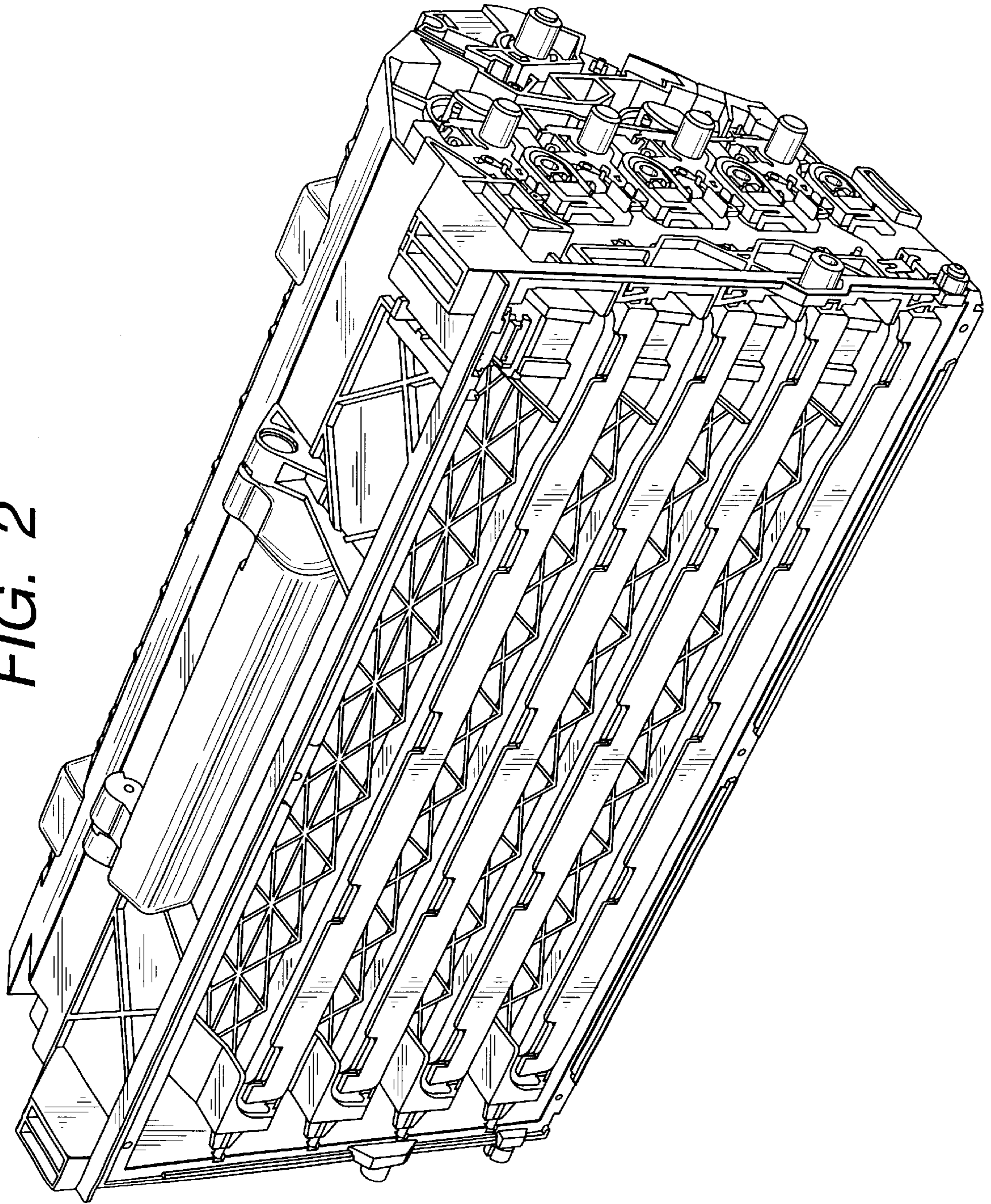


FIG. 3

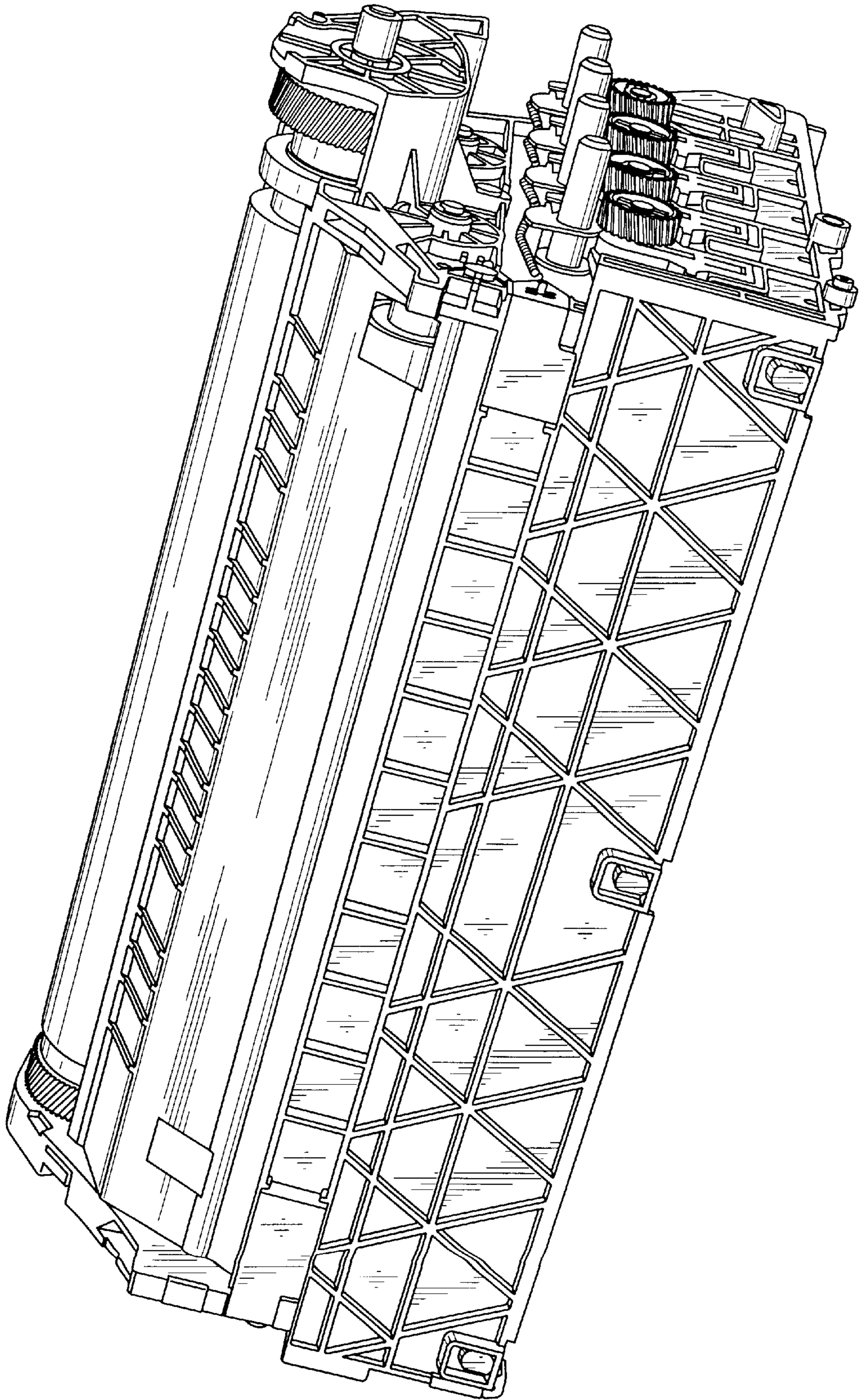


FIG. 4

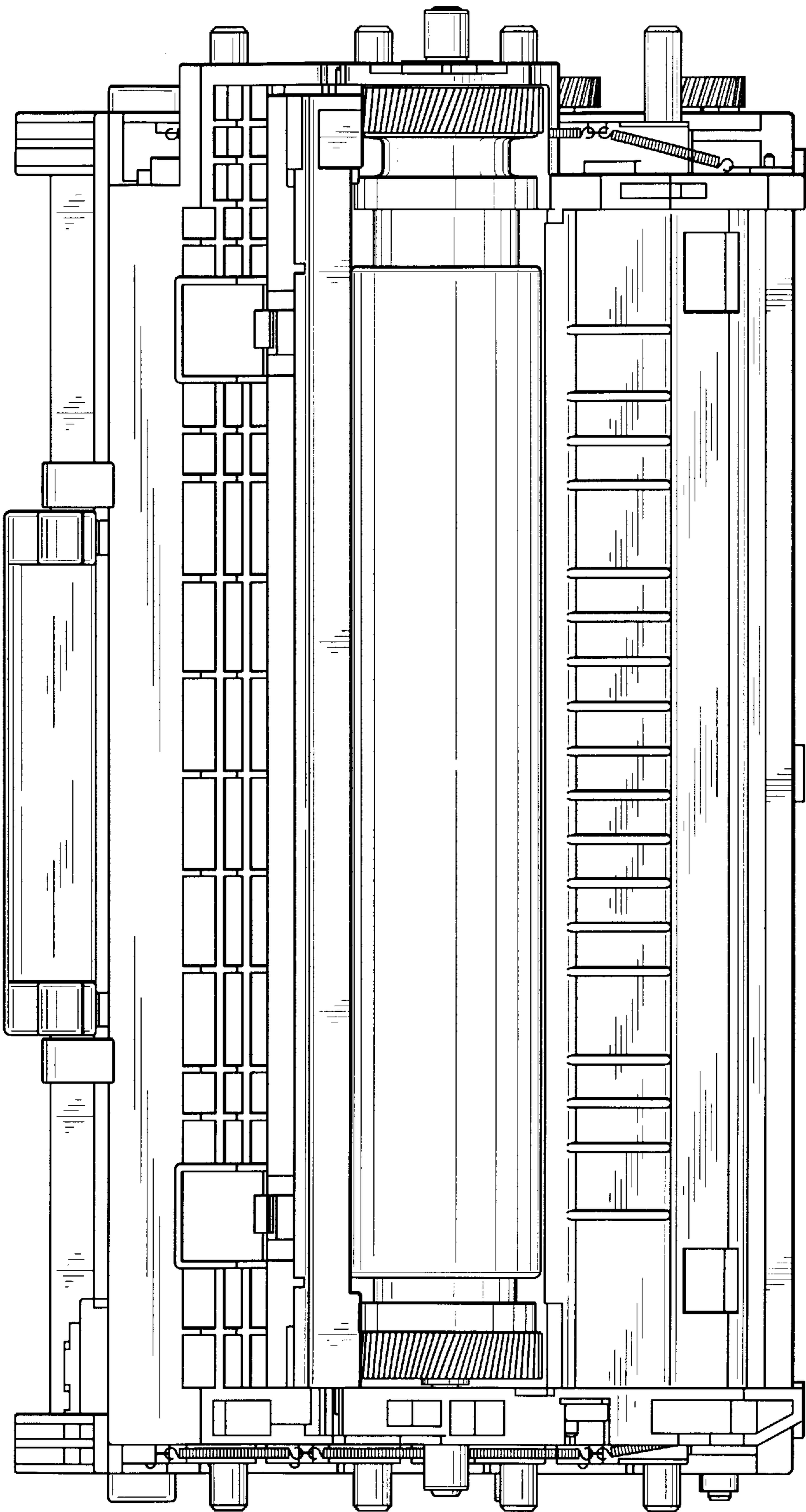


FIG. 5

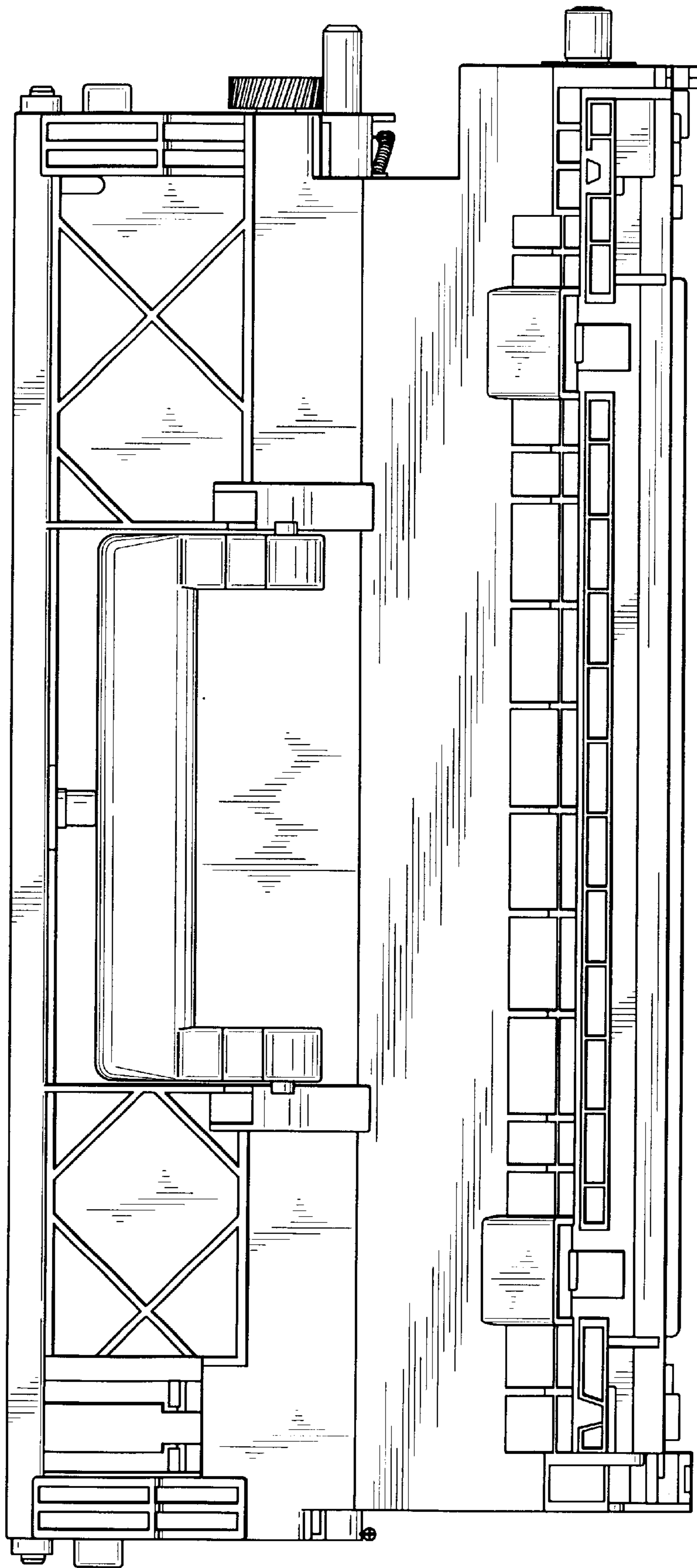


FIG. 7

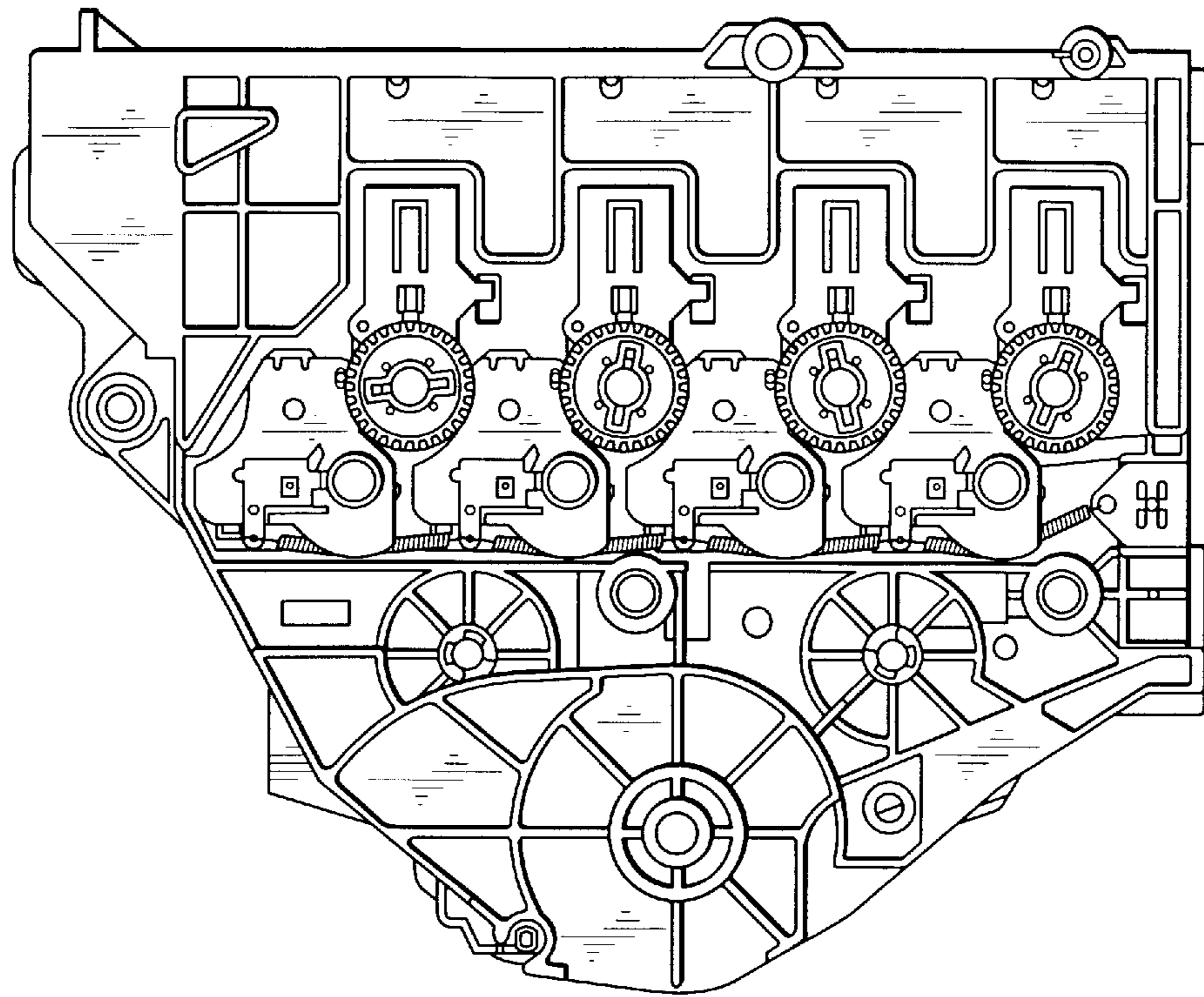


FIG. 6

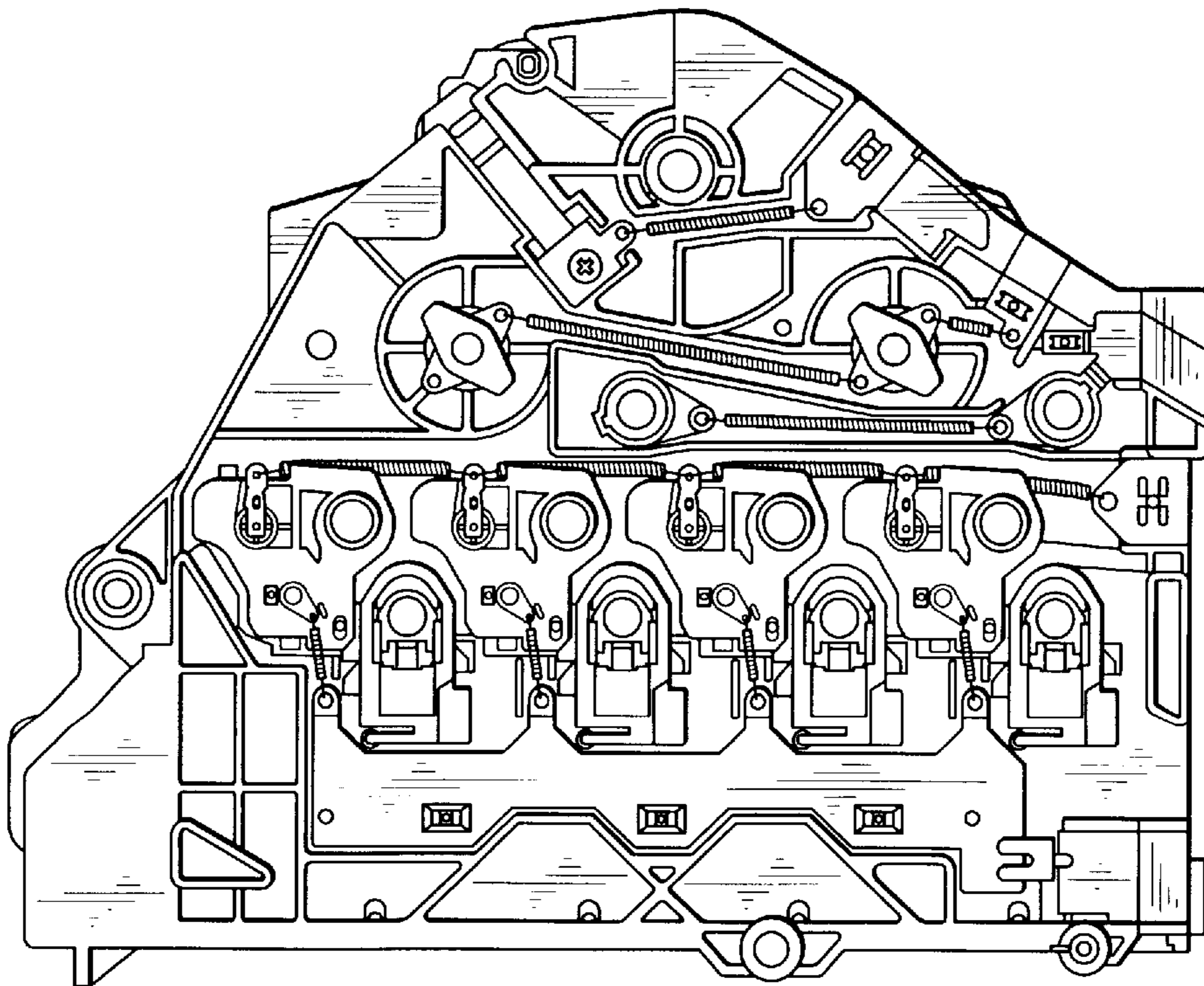


FIG. 8

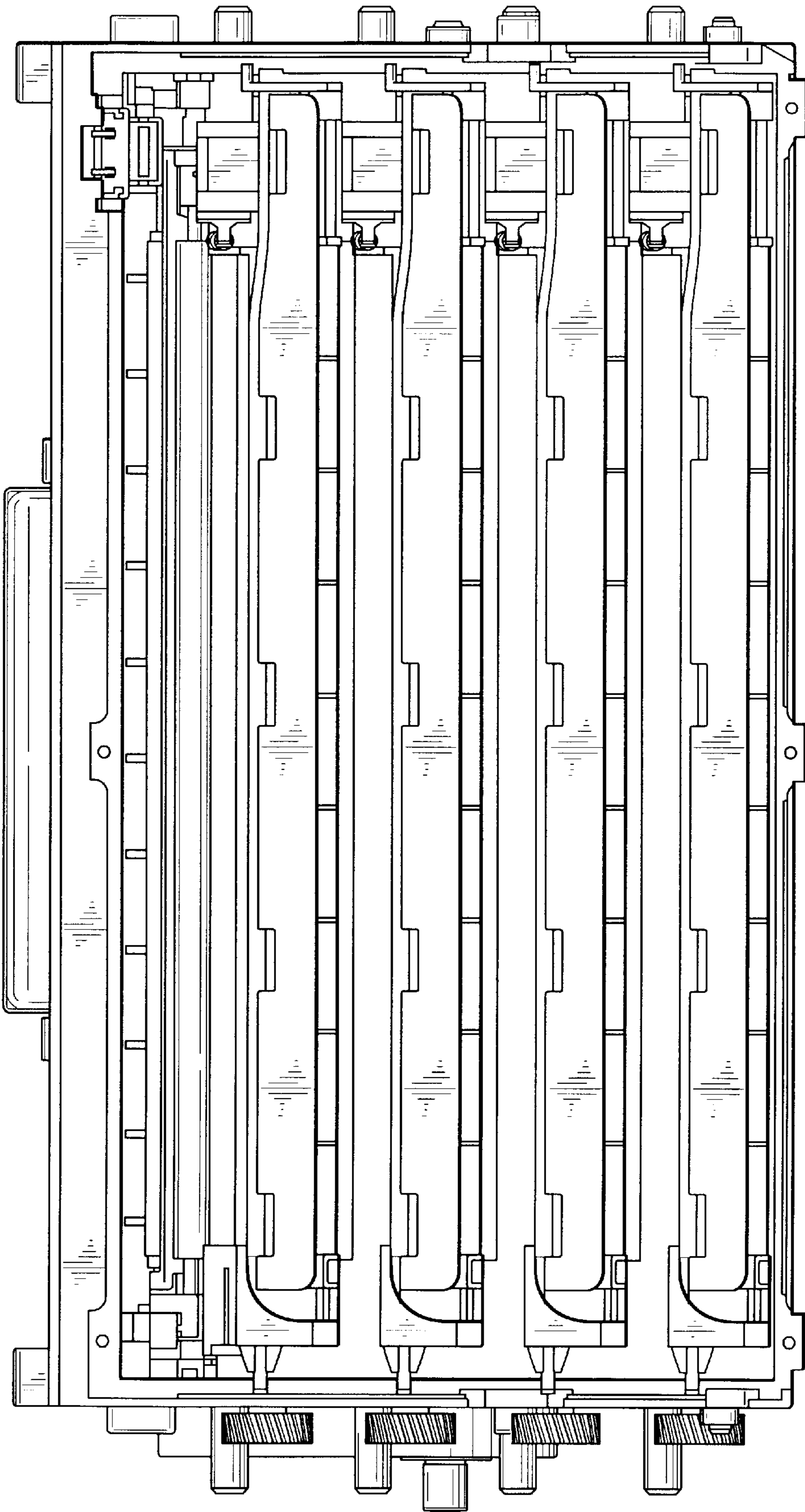


FIG. 9

