



US00D458297S

(12) **United States Design Patent**
Laidlaw et al.

(10) **Patent No.:** **US D458,297 S**

(45) **Date of Patent:** **** Jun. 4, 2002**

(54) **DOCUMENT PRODUCTION DEVICE**

(75) Inventors: **Anthony G. Laidlaw**, Boise; **David M. Payne**, Meridian, both of ID (US)

(73) Assignee: **Hewlett-Packard Company**, Palo Alto, CA (US)

(**) Term: **14 Years**

(21) Appl. No.: **29/146,152**

(22) Filed: **Aug. 3, 2001**

(51) **LOC (7) Cl.** **16-03**

(52) **U.S. Cl.** **D18/36; D18/53**

(58) **Field of Search** **D18/36-39, 53-56; 399/1-7, 81, 130; 355/97**

(56) **References Cited**

U.S. PATENT DOCUMENTS

D434,066 S * 11/2000 Short et al. D18/36

* cited by examiner

Primary Examiner—Caron D. Veynar

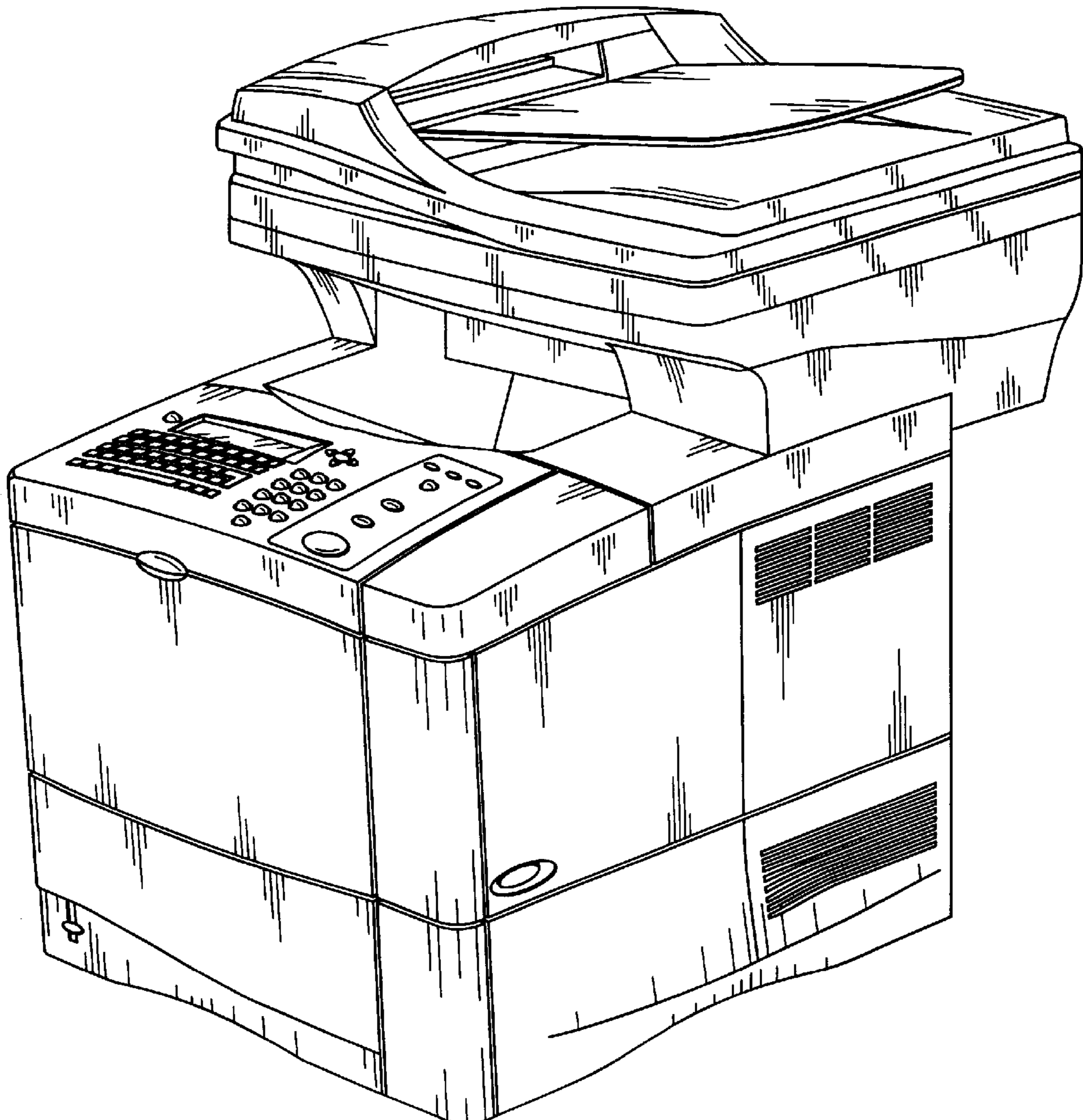
(57) **CLAIM**

The ornamental design for a document production device, as shown.

DESCRIPTION

FIG. 1 is a right-front perspective view of a document production device showing the new design; FIG. 2 is a left front perspective view thereof; FIG. 3 is a top view thereof; FIG. 4 is a front view thereof; FIG. 5 is a right side view thereof; and, FIG. 6 is a left side view thereof.

1 Claim, 6 Drawing Sheets



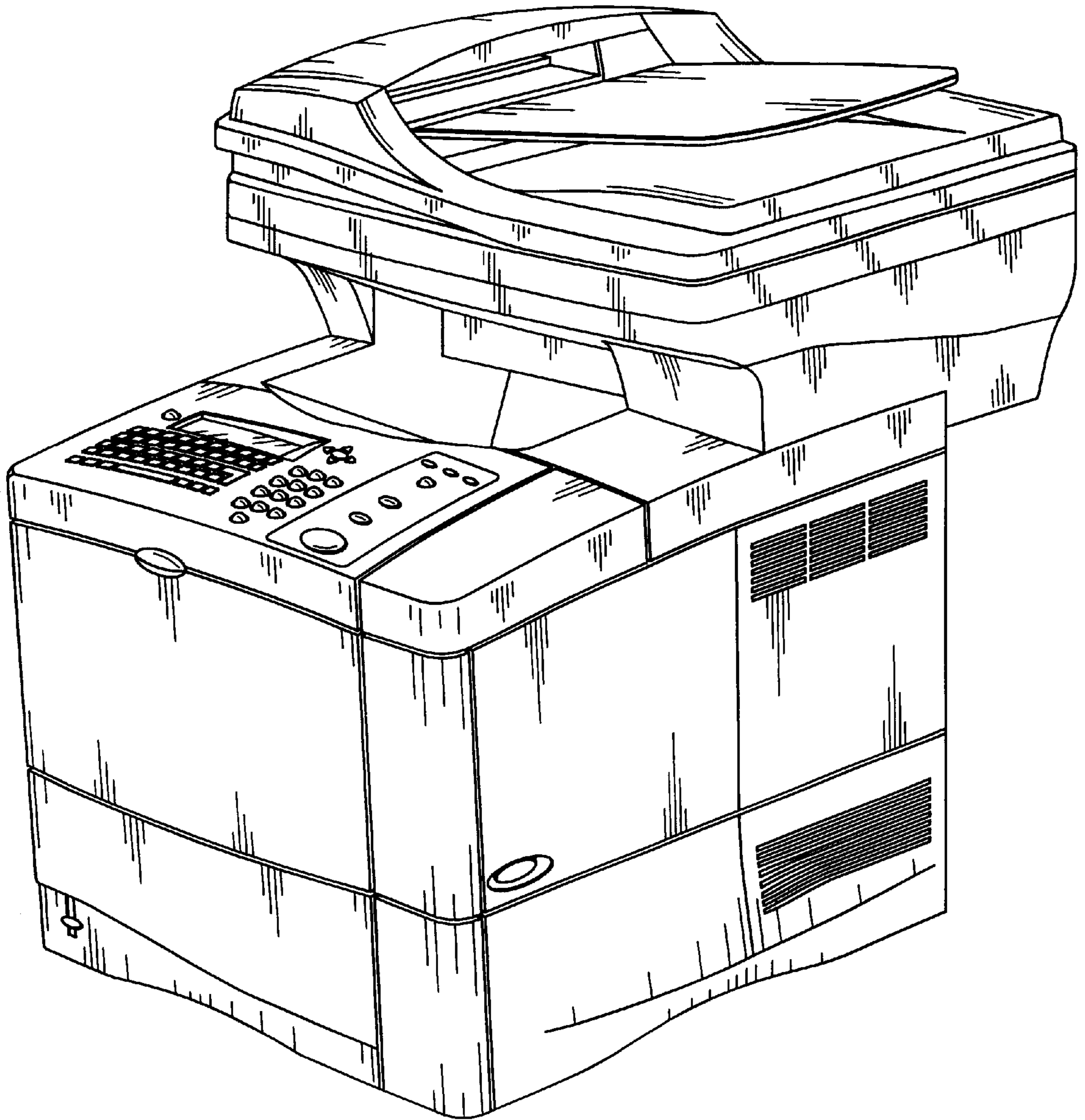


FIG. 1

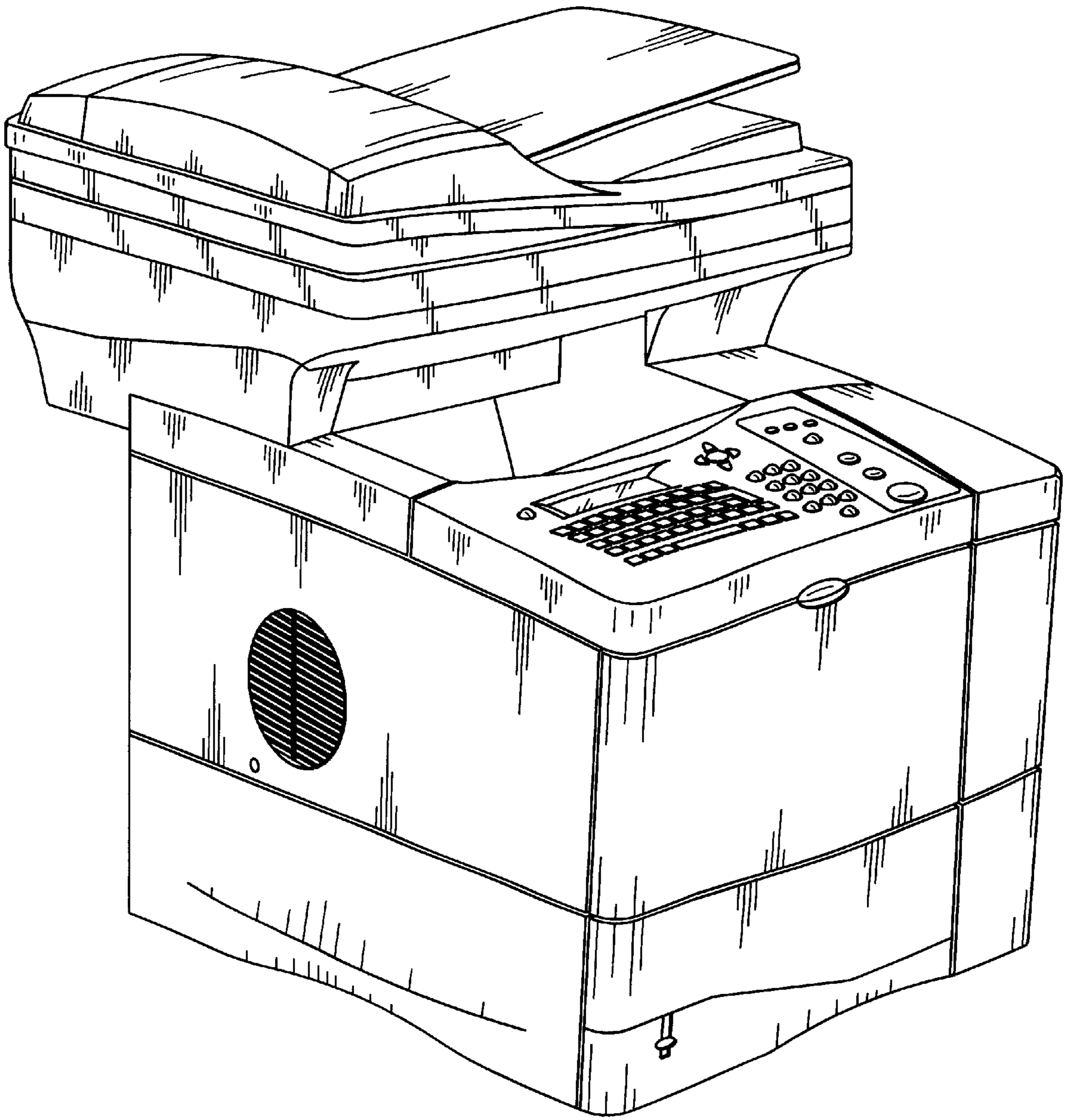


FIG. 2

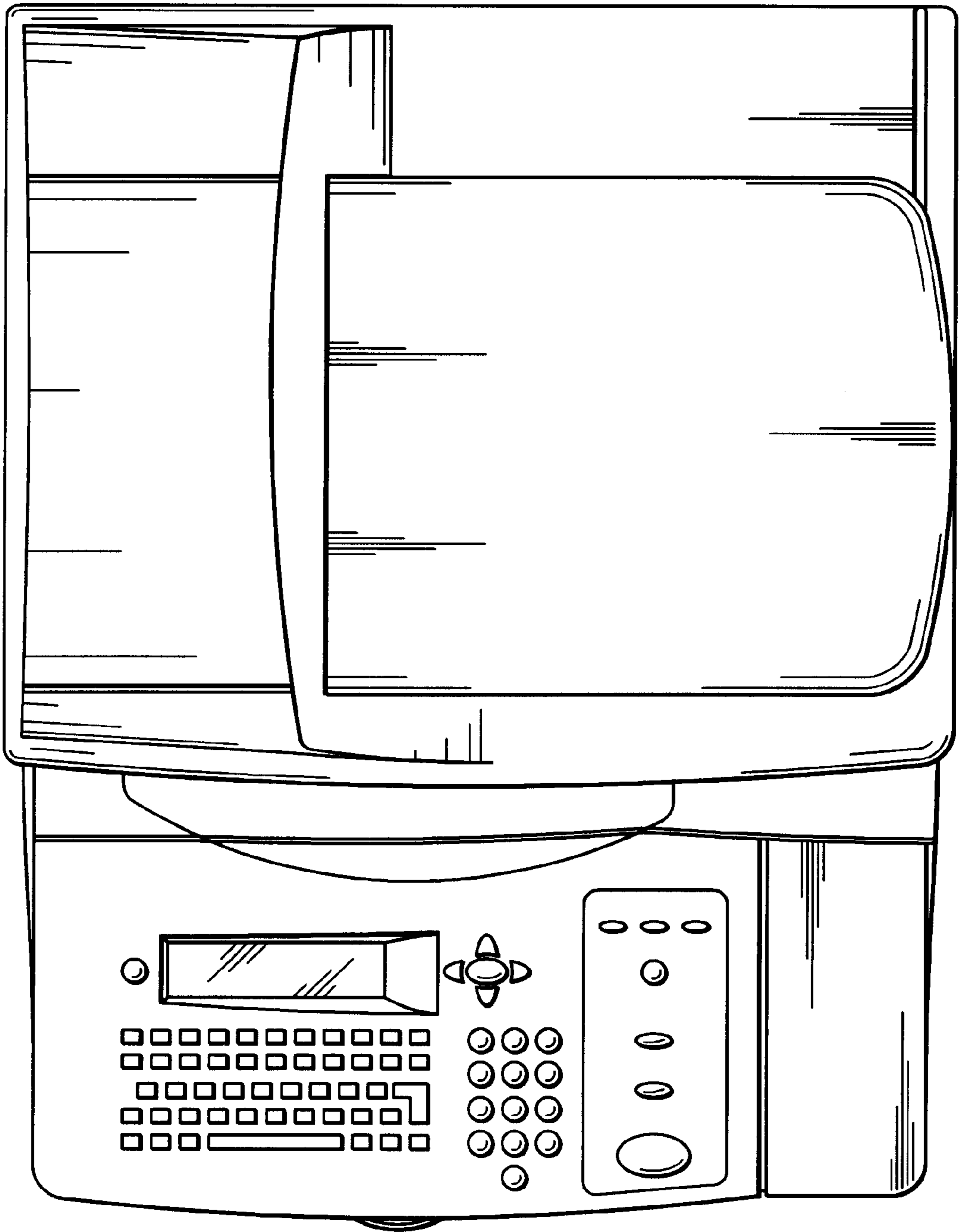


FIG. 3

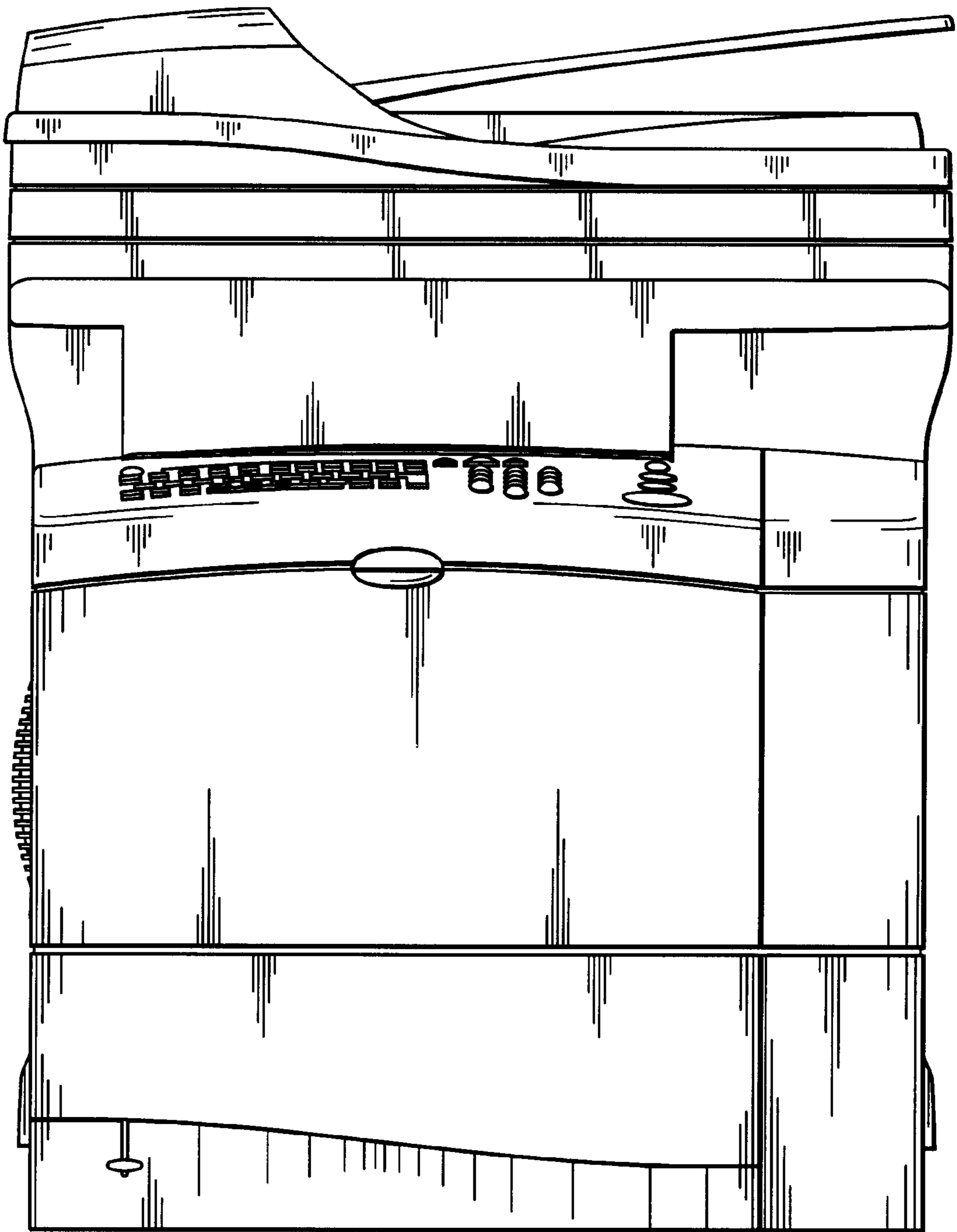


FIG. 4

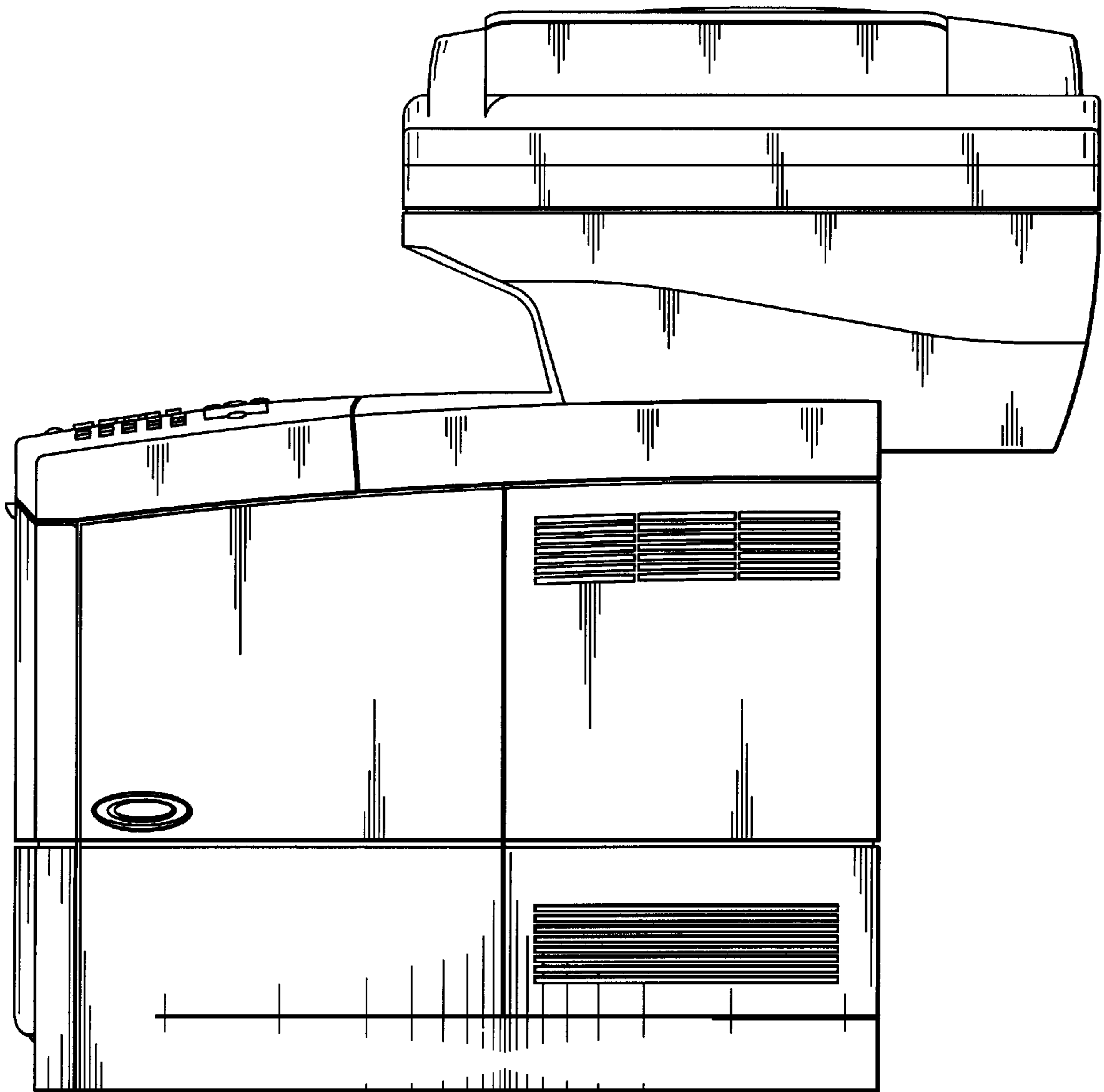


FIG. 5

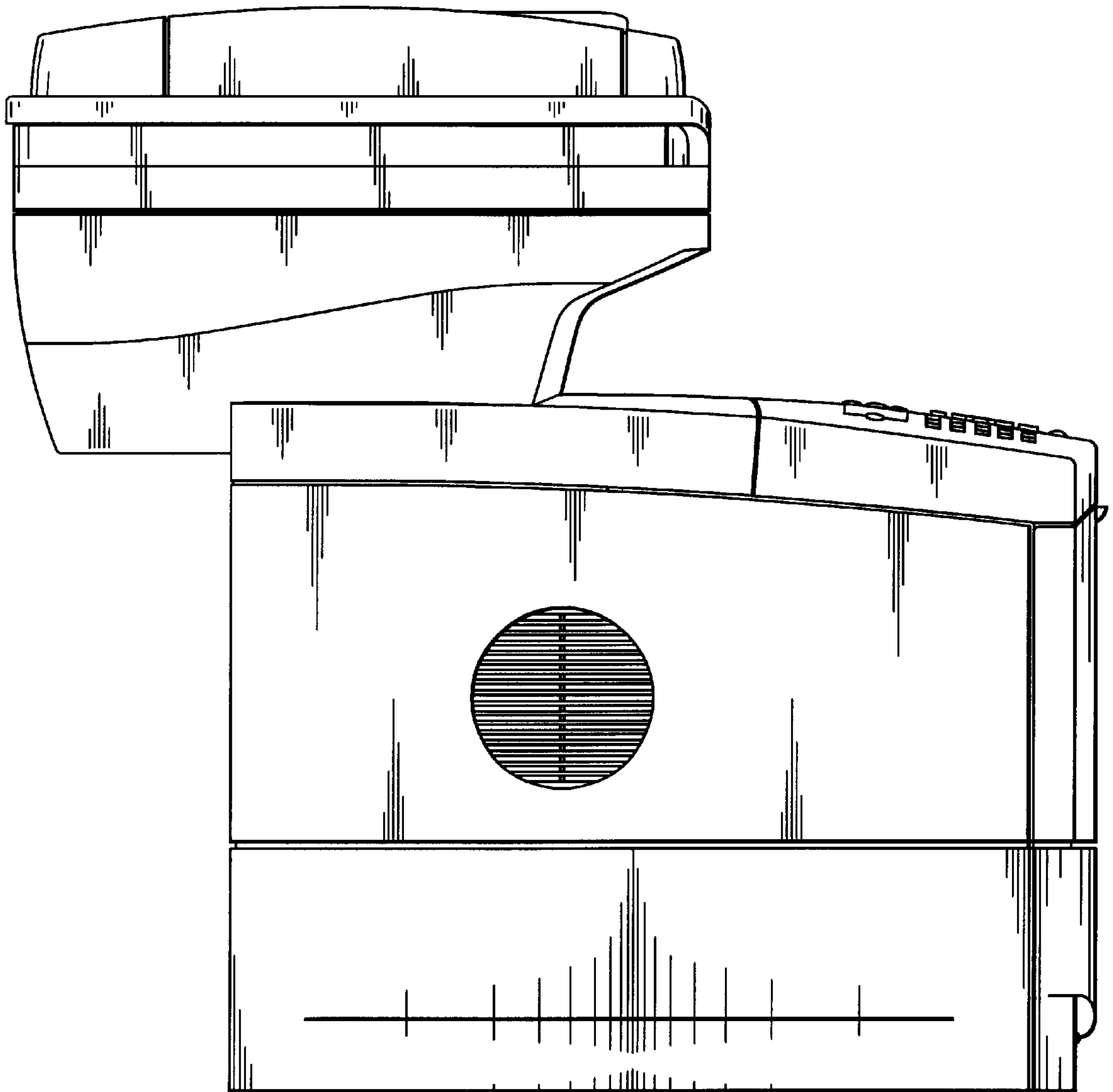


FIG. 6