



US00D458296S

(12) **United States Design Patent**  
**Odman**

(10) **Patent No.:** **US D458,296 S**

(45) **Date of Patent:** **\*\* Jun. 4, 2002**

- (54) **FEET FOR PAPER TRIMMER**
- (75) Inventor: **Shanon T. Odman**, Wabash, IN (US)
- (73) Assignee: **SOP Services, Inc.**, Las Vegas, NV (US)
- (\*\*) Term: **14 Years**
- (21) Appl. No.: **29/146,996**
- (22) Filed: **Aug. 20, 2001**
- (51) **LOC (7) Cl.** ..... **18-04**
- (52) **U.S. Cl.** ..... **D18/34**
- (58) **Field of Search** ..... D18/34, 99; D19/72, D19/65; D15/127, 129, 141, 199; 83/607, 608, 609, 636, 613, 635, 13, 25, DIG. 1, 701, 467.1, 468, 585, 167; 30/262; D8/83, 107

- 2,345,450 A \* 3/1944 Blanc ..... 83/607 X
- 3,811,355 A \* 5/1974 Cole ..... 83/520
- 5,320,011 A \* 6/1994 Lee ..... 83/13
- D409,651 S \* 5/1999 Rellinger ..... D18/34

\* cited by examiner

*Primary Examiner*—Martie K. Holtje  
(74) *Attorney, Agent, or Firm*—Cardinal Law Group

(57) **CLAIM**

The ornamental design for feet for paper trimmer, as shown and described.

**DESCRIPTION**

FIG. 1 is a perspective view of the feet for paper trimmer; FIG. 2 is a front view; FIG. 3 is a top view; FIG. 4 is a bottom view; FIG. 5 is a right end view; and, FIG. 6 is a rear view thereof.

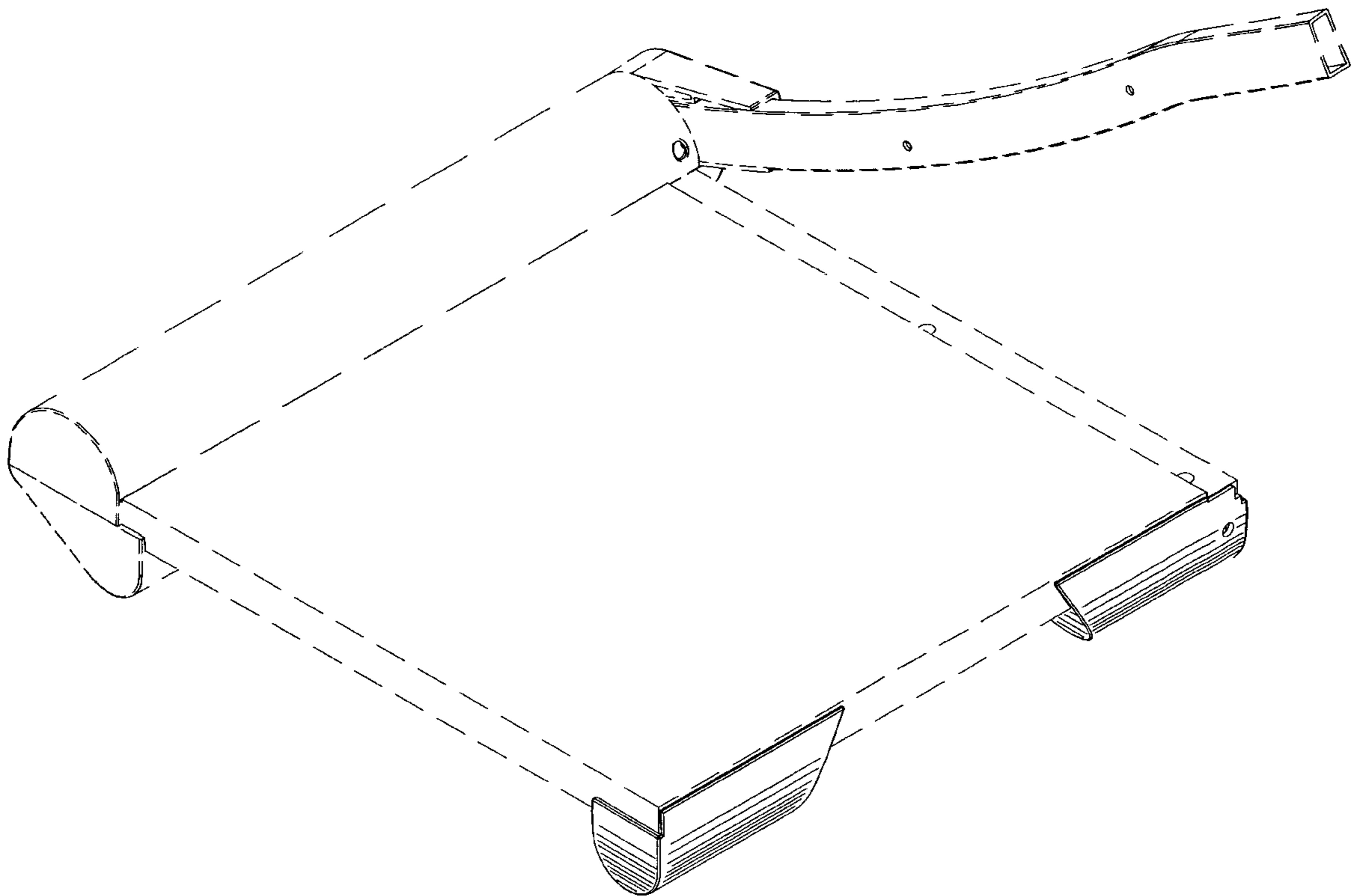
The broken lines in the figures showing portions of the paper trimmer in FIGS. 1–6 are for illustrative purposes only and form no part of the claimed design.

(56) **References Cited**

**U.S. PATENT DOCUMENTS**

- 639,231 A \* 12/1899 Hale ..... 83/585
- 2,256,606 A \* 9/1941 Blanc ..... 83/468

**1 Claim, 6 Drawing Sheets**



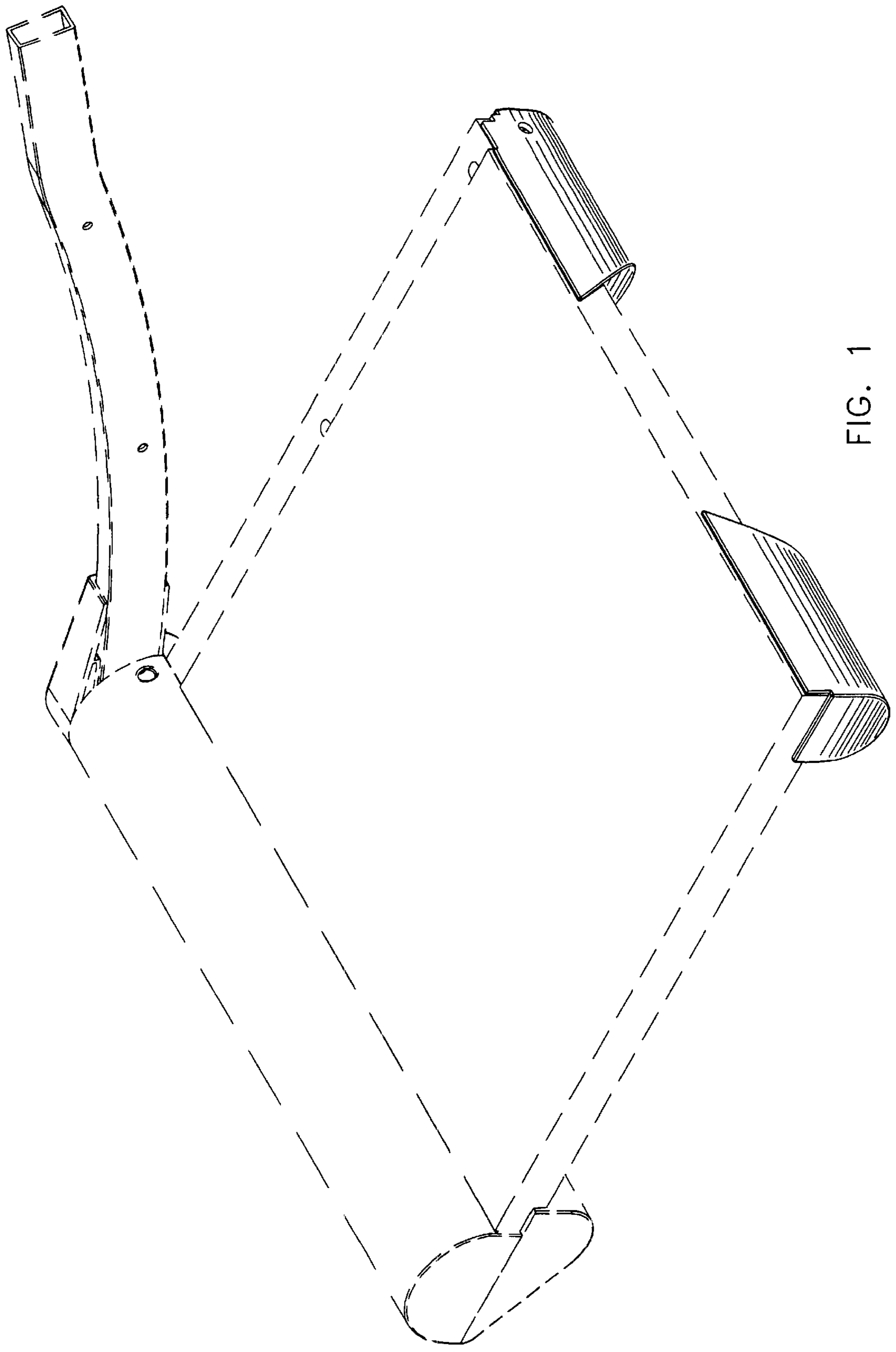


FIG. 1

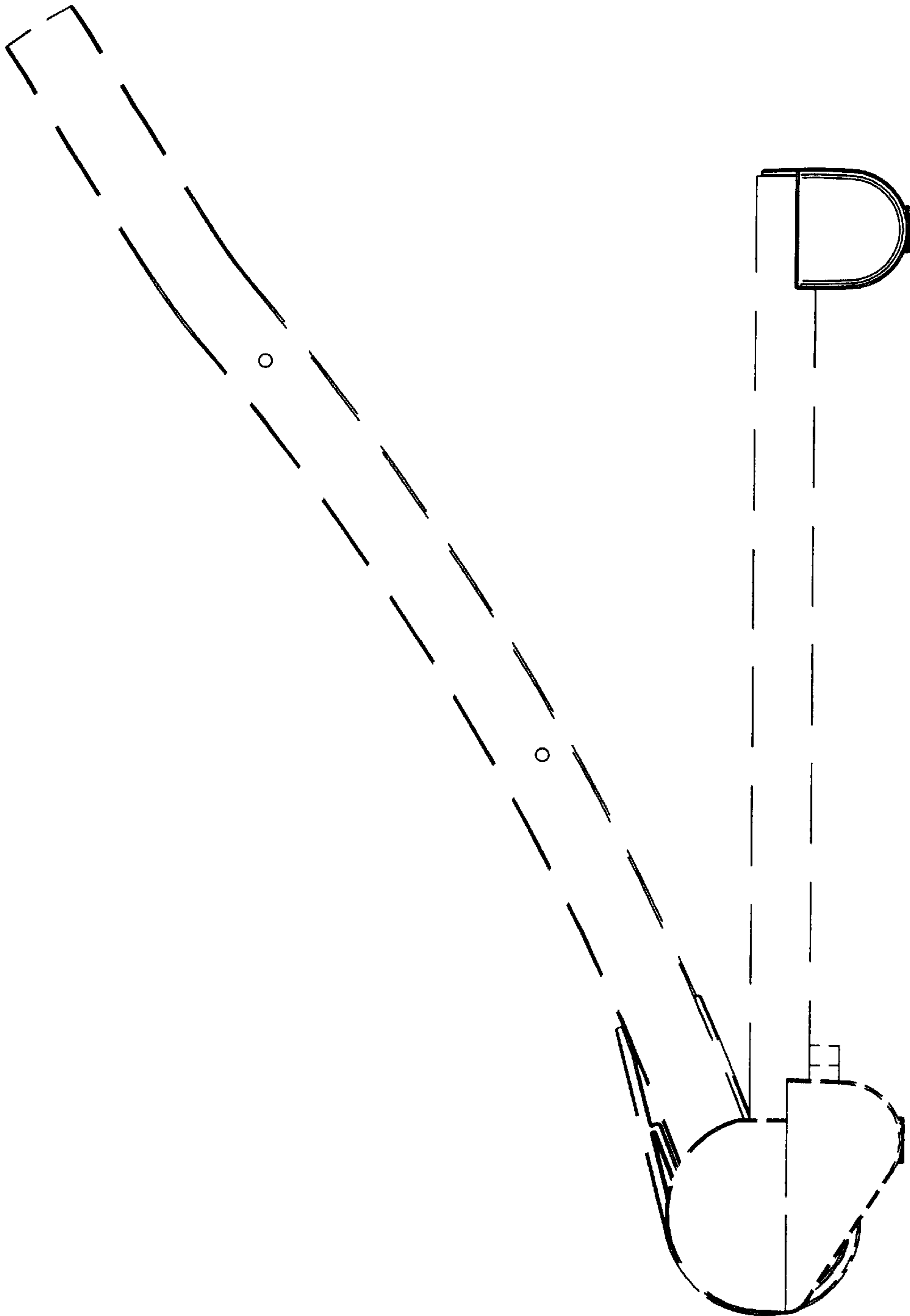


FIG. 2

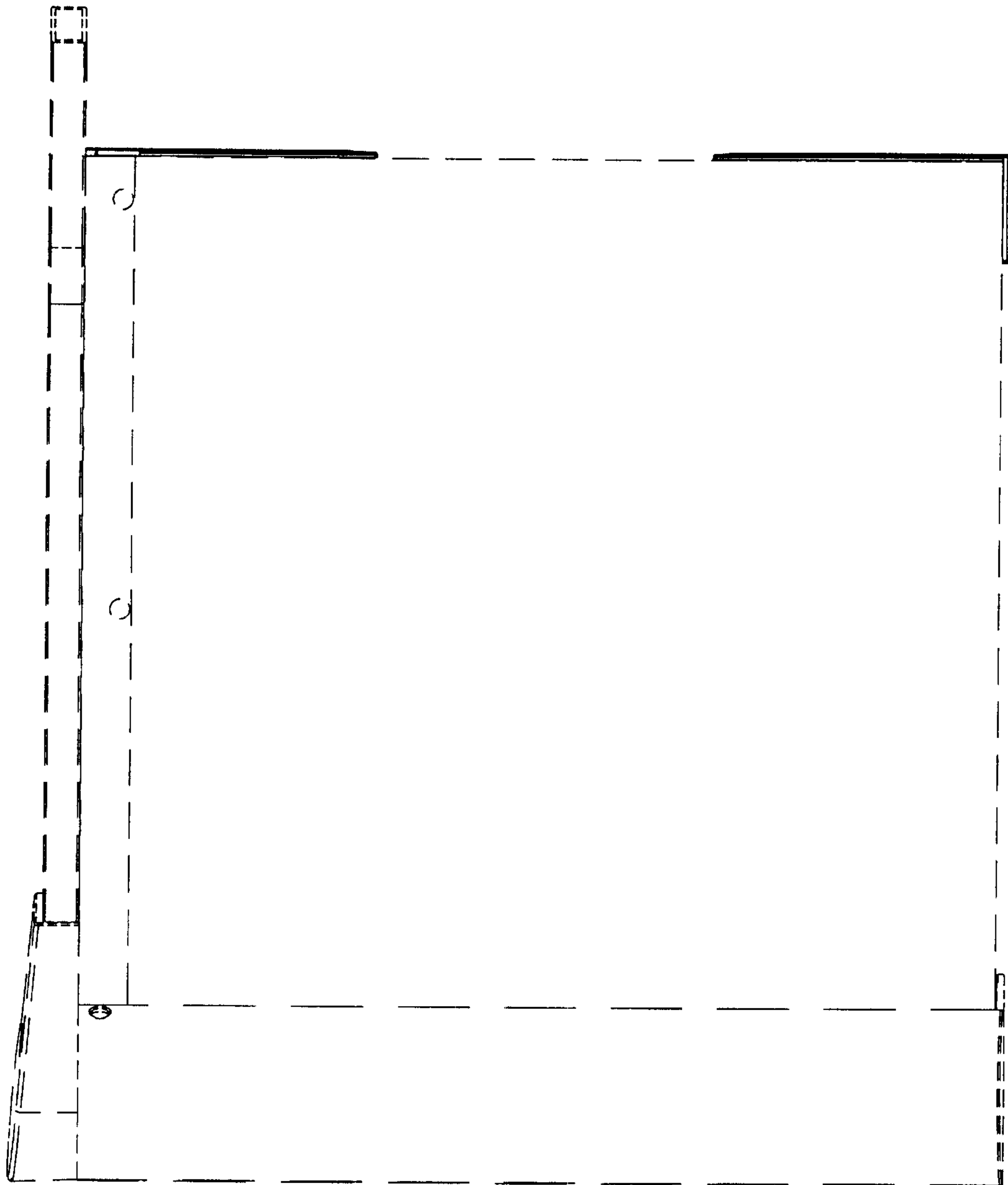


FIG. 3



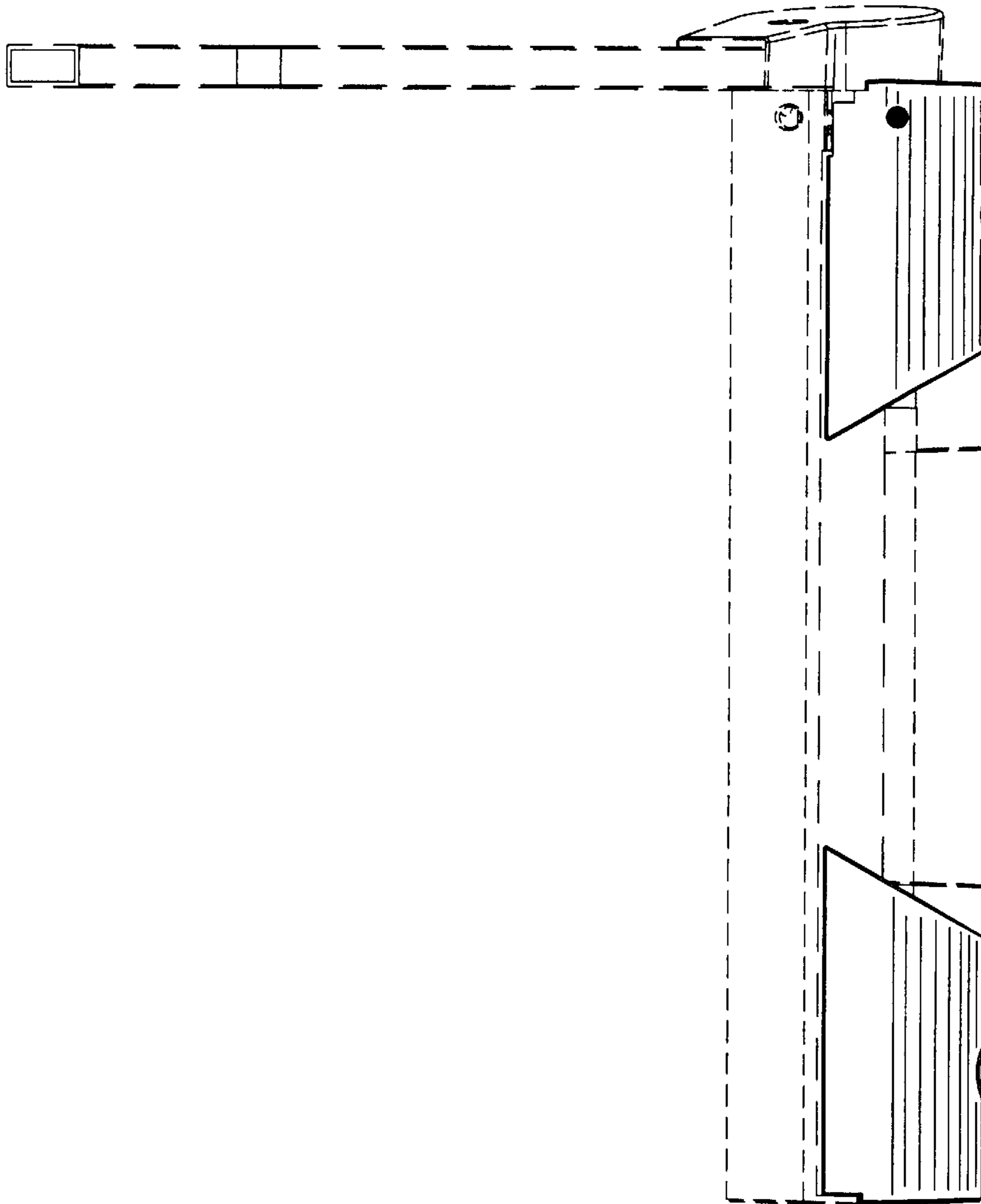


FIG. 5

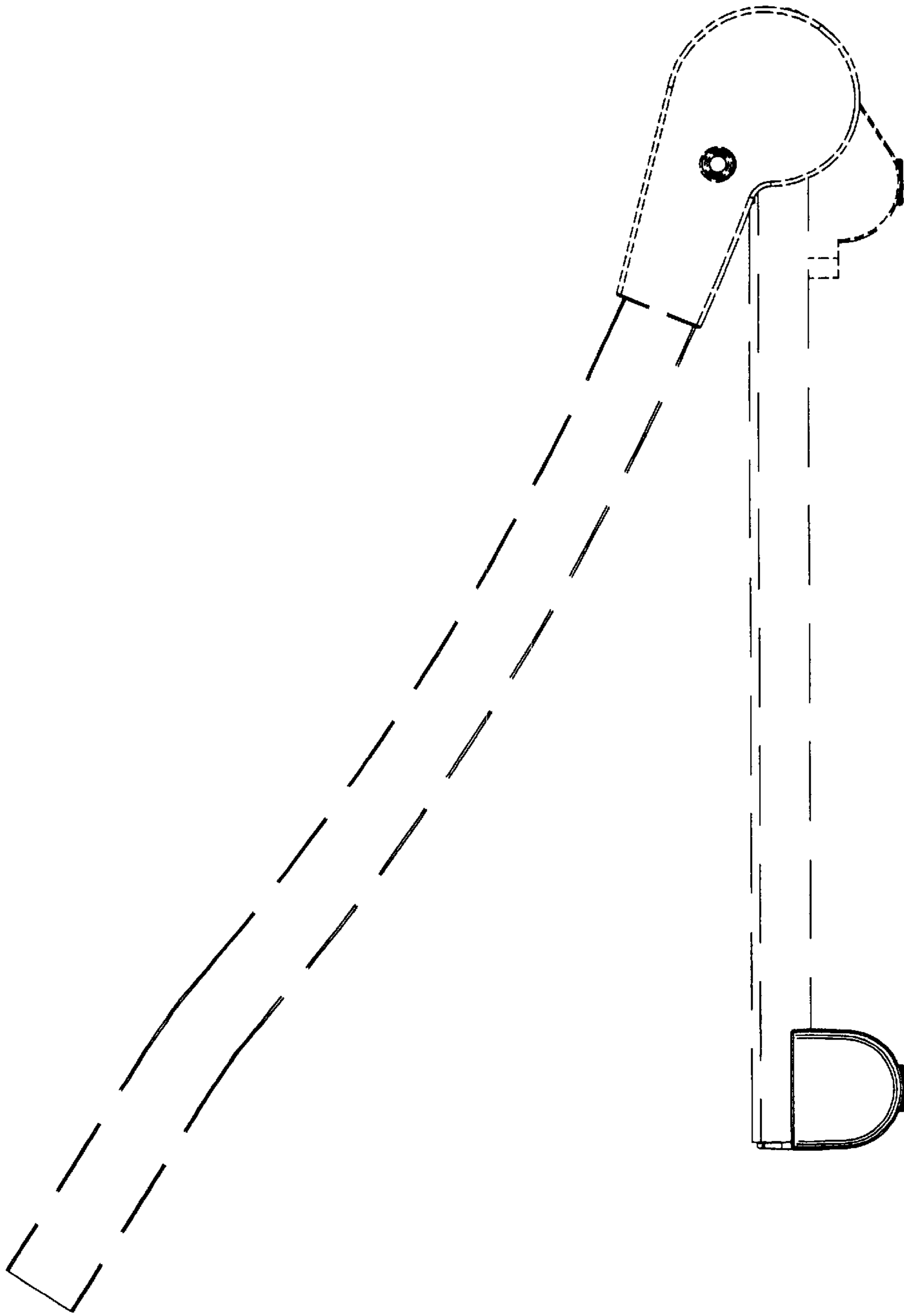


FIG. 6