



US00D458295S

(12) **United States Design Patent**
Neri et al.

(10) **Patent No.: US D458,295 S**

(45) **Date of Patent: ** Jun. 4, 2002**

(54) **PRINTER CASSETTE**

(75) Inventors: **Joel Neri**, Youngstown; **Susan Hammill**, West Seneca; **Jennifer Johnson**, Middleport; **Diane Kelly**, Cambria, all of NY (US); **John Krivda**, Ewing; **Karl Duerr**, Basking Ridge, both of NJ (US)

(73) Assignee: **IIMAK**, Amherst, NY (US)

(**) Term: **14 Years**

4,654,673 A	3/1987	Yanata et al.
4,654,674 A	3/1987	Hibino et al.
4,708,901 A	11/1987	Wood
4,718,783 A	1/1988	Tsushima et al.
4,725,155 A	2/1988	Kittel et al.
4,733,980 A	3/1988	Tosa
4,750,008 A	6/1988	Matsuura
4,756,635 A	7/1988	Frerichs
4,758,845 A	7/1988	Tsushima et al.
4,768,410 A	9/1988	Wood
4,780,010 A	10/1988	Behrens et al.
4,789,260 A	12/1988	Kobayashi et al.

(List continued on next page.)

(21) Appl. No.: **29/138,509**

(22) Filed: **Mar. 14, 2001**

Related U.S. Application Data

(63) Continuation-in-part of application No. 29/127,048, filed on Jul. 27, 2000, now abandoned.

(51) **LOC (7) Cl.** **18-01**

(52) **U.S. Cl.** **D18/12; D18/56**

(58) **Field of Search** **D18/12, 40, 43, D18/56; D14/471, 481, 483, 484; 400/208, 234**

(56) **References Cited**

U.S. PATENT DOCUMENTS

3,857,525 A	12/1974	Gerber et al.
3,971,036 A	7/1976	Gerber et al.
4,160,605 A	7/1979	Neubaum
4,231,667 A	11/1980	Behrendt et al.
4,325,645 A	4/1982	Miyajima et al.
4,427,313 A	1/1984	Giolitti
4,431,324 A	2/1984	Keiter et al.
4,440,514 A	4/1984	Keiter et al.
4,531,849 A	7/1985	Dobashi
4,565,128 A	1/1986	Moriyama et al.
4,577,198 A	3/1986	Hibino et al.
4,577,200 A	3/1986	Rix et al.
4,641,150 A	2/1987	Matsuura et al.
4,644,371 A	2/1987	Matsuura et al.
4,651,162 A	3/1987	Nakamura et al.
4,653,939 A	3/1987	Hibino

FOREIGN PATENT DOCUMENTS

CA	2108516	2/2000
EP	0 672 531 A1	9/1995
EP	0 672 532 A1	9/1995
EP	0 732 440 A1	9/1996
EP	0 852 182 A1	7/1998
EP	0 852 184 A1	7/1998
EP	0 852 185 A1	7/1998
EP	0 852 183 A1	9/1998

OTHER PUBLICATIONS

“How to Exchange Ribbons in the Cartridge” (1993).

Primary Examiner—Caron D. Veynar

(74) *Attorney, Agent, or Firm*—Nixon Peabody LLP

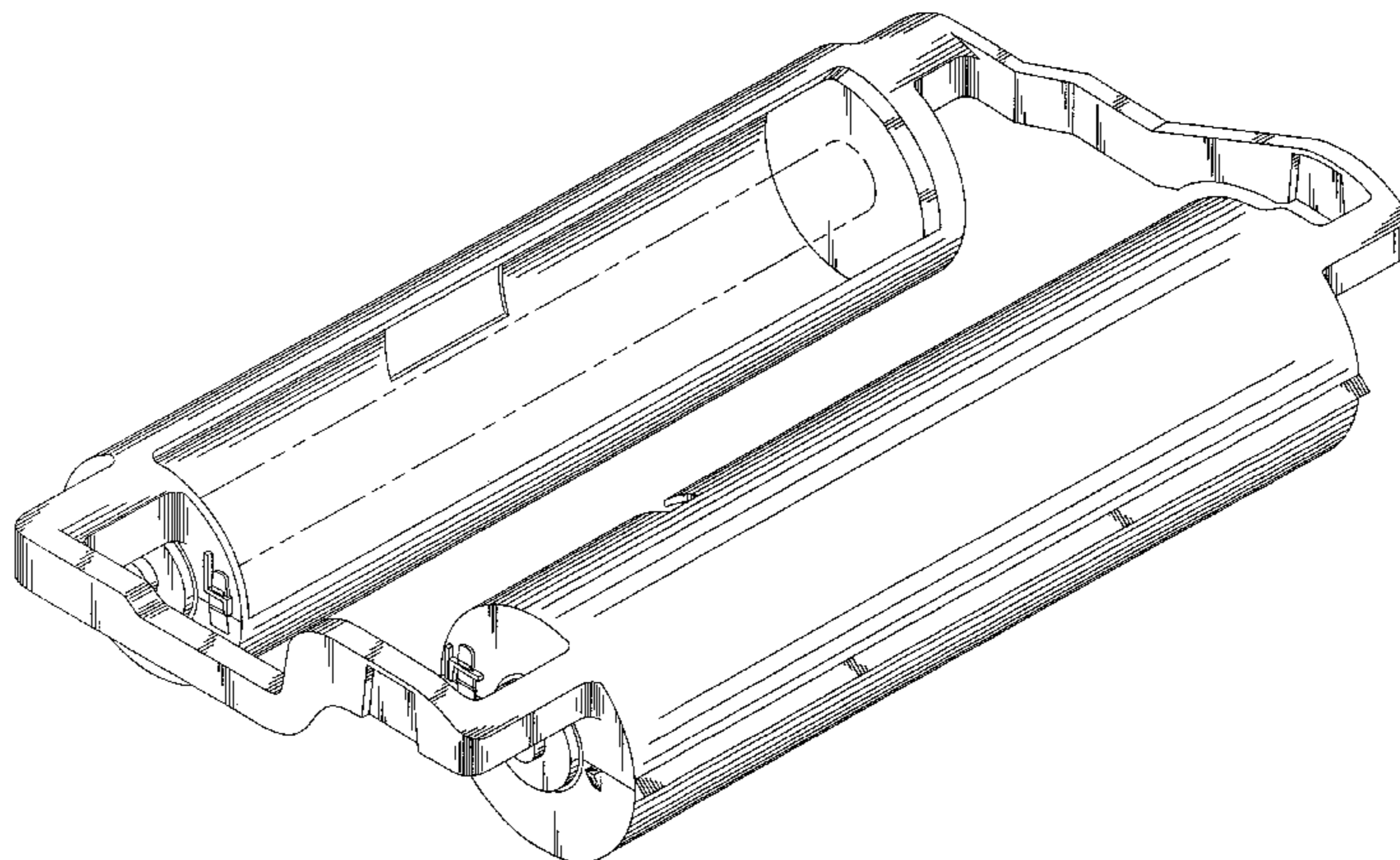
(57) **CLAIM**

The ornamental design for a printer cassette, as shown.

DESCRIPTION

FIG. 1 is a top view of a printer cassette of our design; FIG. 2 is a front view of the printer cassette; FIG. 3 is a right side view of the printer cassette; FIG. 4 is a left side view of the printer cassette; FIG. 5 is a bottom view of the printer cassette; FIG. 6 is a perspective view of the printer cassette, the broken lines showing a spindle are for illustrative purposes only and form no part of the claimed design; and, FIG. 7 is a back view of the printer cassette.

1 Claim, 6 Drawing Sheets



US D458,295 S

Page 2

U.S. PATENT DOCUMENTS

4,789,873 A	12/1988	Matsuura	5,376,953 A	12/1994	Voelker		
4,813,796 A	3/1989	Kittel	D355,436 S	2/1995	Suwa		
4,820,125 A	4/1989	Keiter et al.	D356,819 S	3/1995	Stempien		
4,834,276 A	5/1989	Logan	5,399,035 A	3/1995	Nakae		
4,842,427 A	6/1989	Kloppenburger	D358,165 S	5/1995	Ehara		
4,854,755 A	8/1989	Lange et al.	5,418,552 A	5/1995	Maruyama		
4,856,921 A	8/1989	Hatakeyama	5,419,643 A	5/1995	Matsuura		
4,859,097 A	8/1989	Frerichs	5,421,261 A	6/1995	Stempien		
4,861,177 A	8/1989	Heins et al.	5,429,443 A	7/1995	Kobayashi et al.		
4,867,363 A	9/1989	Wood et al.	5,430,904 A	7/1995	Ono et al.		
4,884,907 A	12/1989	Yasumi	5,443,680 A	8/1995	Gerber		
4,895,287 A	1/1990	Wood et al.	5,451,996 A	9/1995	Awai et al.		
4,910,871 A	3/1990	Logan	D364,644 S	11/1995	Watanabe et al.		
4,913,572 A	4/1990	Behrens et al.	5,466,076 A	11/1995	Kobayashi et al.		
4,917,513 A	4/1990	Takanashi et al.	5,466,501 A	11/1995	Logan et al.		
4,924,242 A	5/1990	Fukawa	5,476,330 A	12/1995	Inoue et al.		
4,978,240 A	12/1990	Katsuno	D366,281 S	1/1996	Sakanishi et al.		
4,989,316 A	2/1991	Logan et al.	5,480,242 A	1/1996	Gunderson		
4,990,007 A	2/1991	Schmidt et al.	5,494,362 A	2/1996	Kobayashi et al.		
5,007,752 A	4/1991	Yasumi et al.	5,495,803 A	3/1996	Gerber et al.		
5,026,584 A	6/1991	Logan	5,499,877 A	3/1996	Sakanishi et al.		
5,030,967 A	7/1991	Inoue et al.	5,500,669 A	3/1996	Yamashita et al.		
5,064,301 A	11/1991	Nakamura et al.	5,510,821 A	4/1996	Jones et al.		
5,100,250 A	3/1992	Suzuki et al.	5,513,919 A	5/1996	Hevenor		
5,110,228 A	5/1992	Yokomizo	5,516,219 A	5/1996	Leonard et al.		
D327,495 S	6/1992	Nagai	5,521,480 A	5/1996	Yeo		
D328,092 S	7/1992	Inoue et al.	5,537,135 A	7/1996	Hevenor et al.		
5,143,576 A	9/1992	Logan	5,538,351 A	7/1996	Miyano		
5,156,089 A	10/1992	McCue et al.	5,539,533 A	7/1996	Kato		
D331,771 S	* 12/1992	Yoshihara D18/12	5,551,786 A	9/1996	Webster et al.		
D334,209 S	* 3/1993	Katsuno D18/56	5,555,009 A	9/1996	Hevenor et al.		
5,189,951 A	3/1993	Webster et al.	5,567,065 A	10/1996	Cai et al.		
D334,585 S	* 4/1993	Okauchi D18/40	D383,743 S	9/1997	Suwa et al.		
5,213,656 A	5/1993	Lis et al.	5,775,821 A	7/1998	Kato		
5,236,267 A	8/1993	Masumura et al.	D397,142 S	8/1998	Hammill et al.		
5,247,315 A	9/1993	Phelan et al.	5,807,001 A	9/1998	Hammill et al.		
D342,276 S	12/1993	Tsushima	5,897,256 A	4/1999	Kameyama		
5,277,736 A	1/1994	Logan	5,913,621 A	6/1999	Kameyama et al.		
5,288,358 A	2/1994	Logan	5,961,229 A	10/1999	Kameyama		
5,304,410 A	4/1994	Webster	5,984,546 A	11/1999	Kameyama		
5,309,365 A	5/1994	Sullivan et al.	D420,696 S	2/2000	Yung et al.		
5,315,690 A	5/1994	Gordon et al.	D425,545 S	5/2000	Ishida		
5,344,680 A	9/1994	Logan et al.	D442,211 S	* 5/2001	Hayashi et al. D18/12		
5,376,951 A	12/1994	Inoue et al.	6,257,780 B1	* 7/2001	Ito et al. 400/208		

* cited by examiner

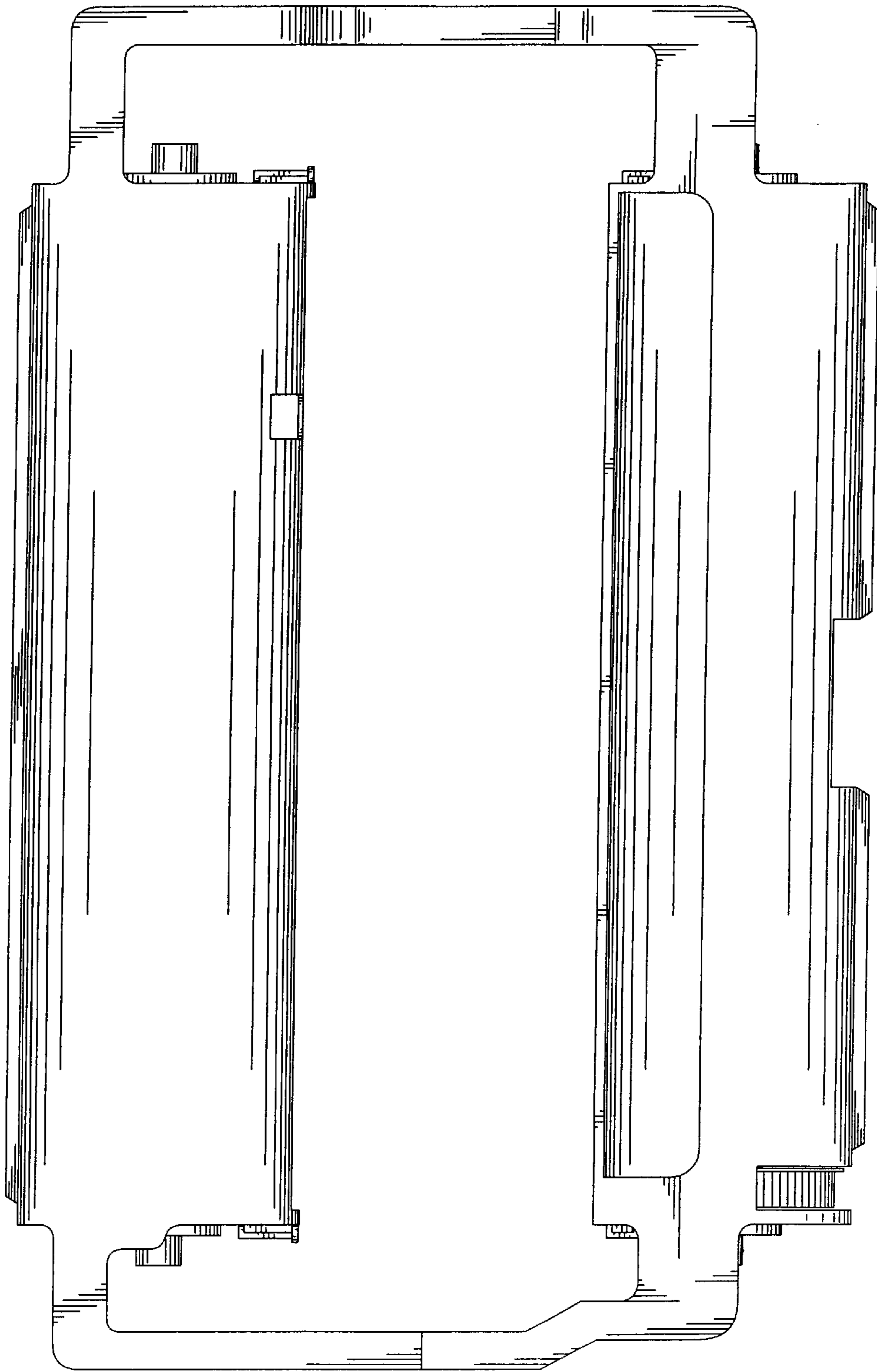


FIG. 1

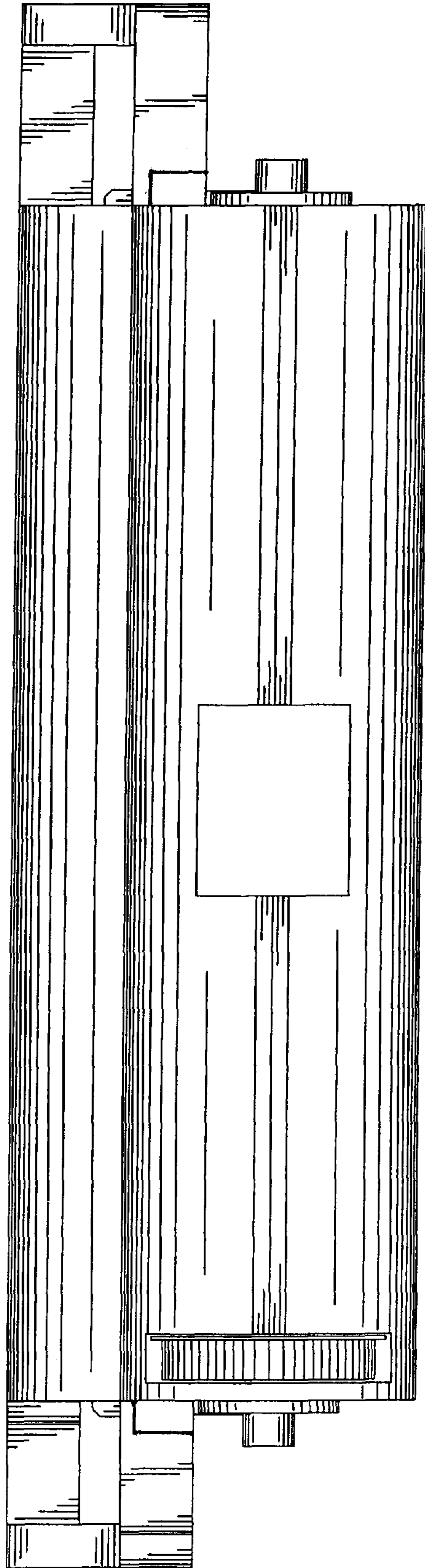


FIG. 2

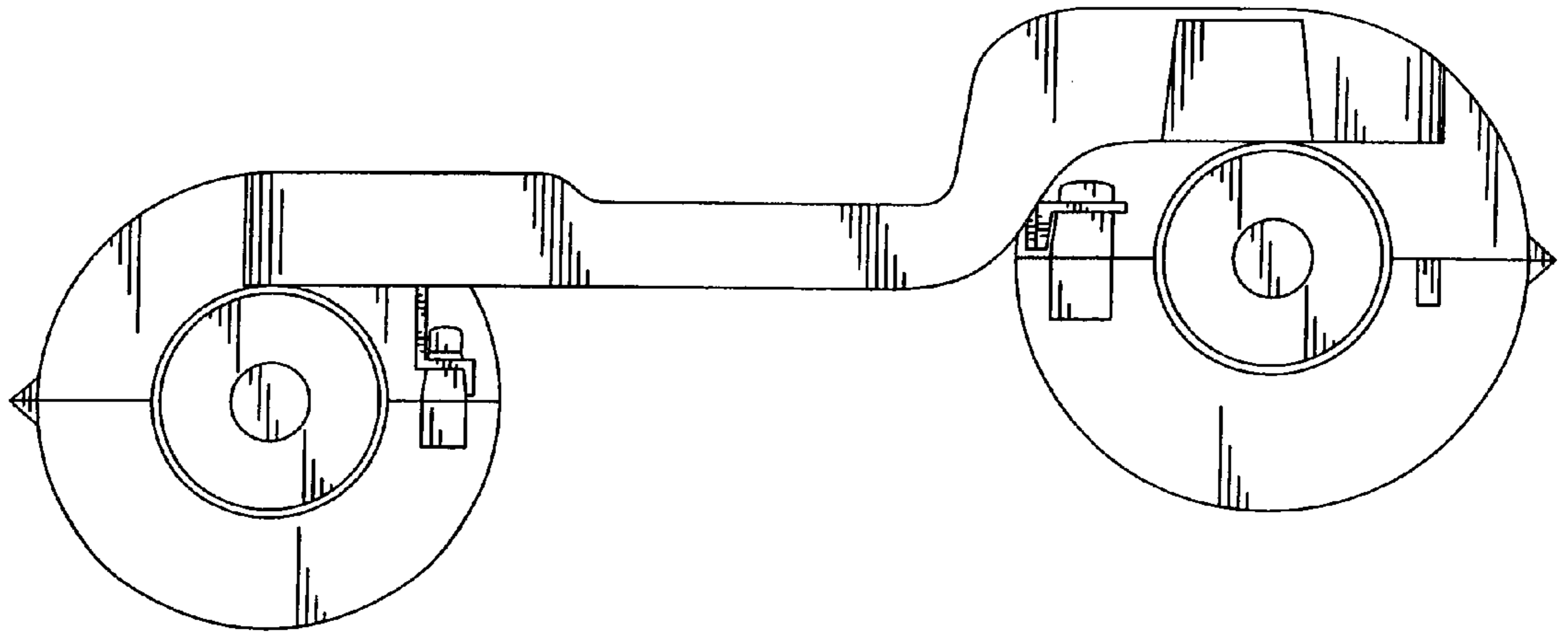


FIG. 3

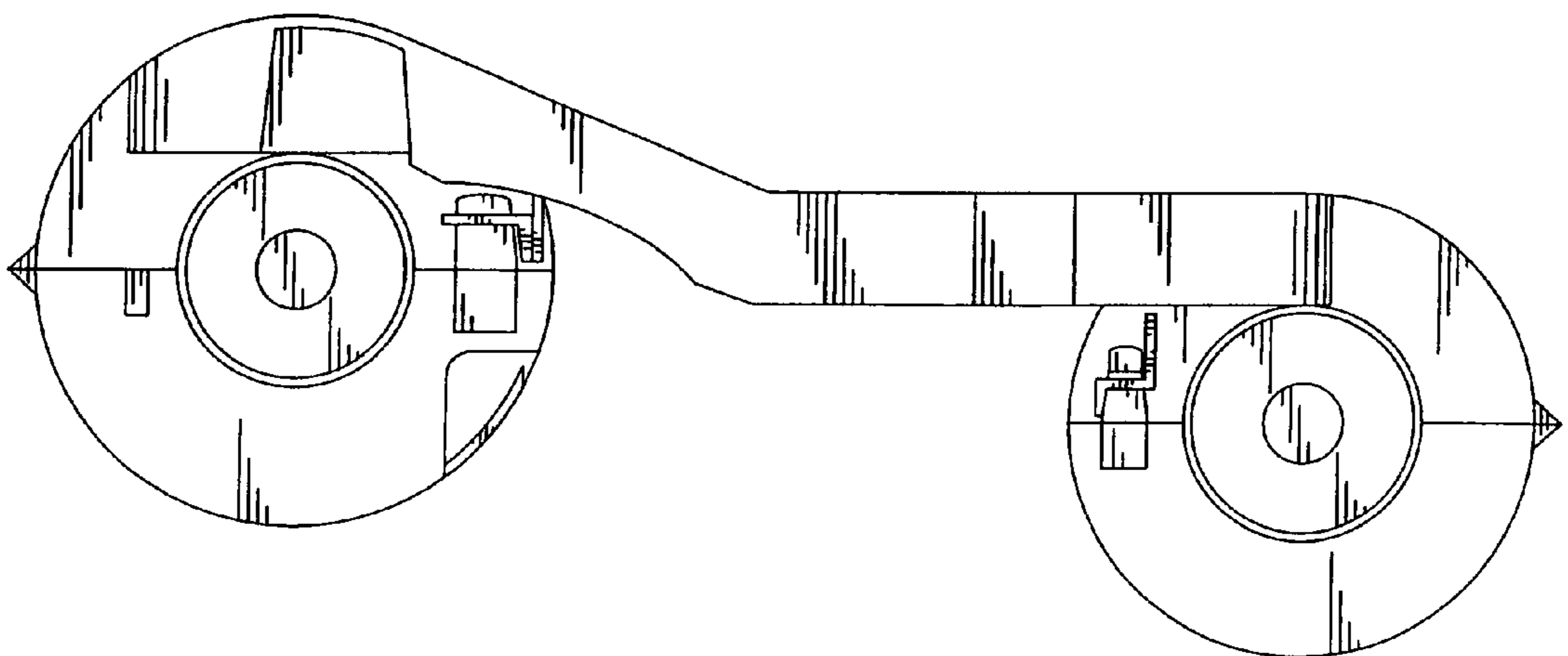


FIG. 4

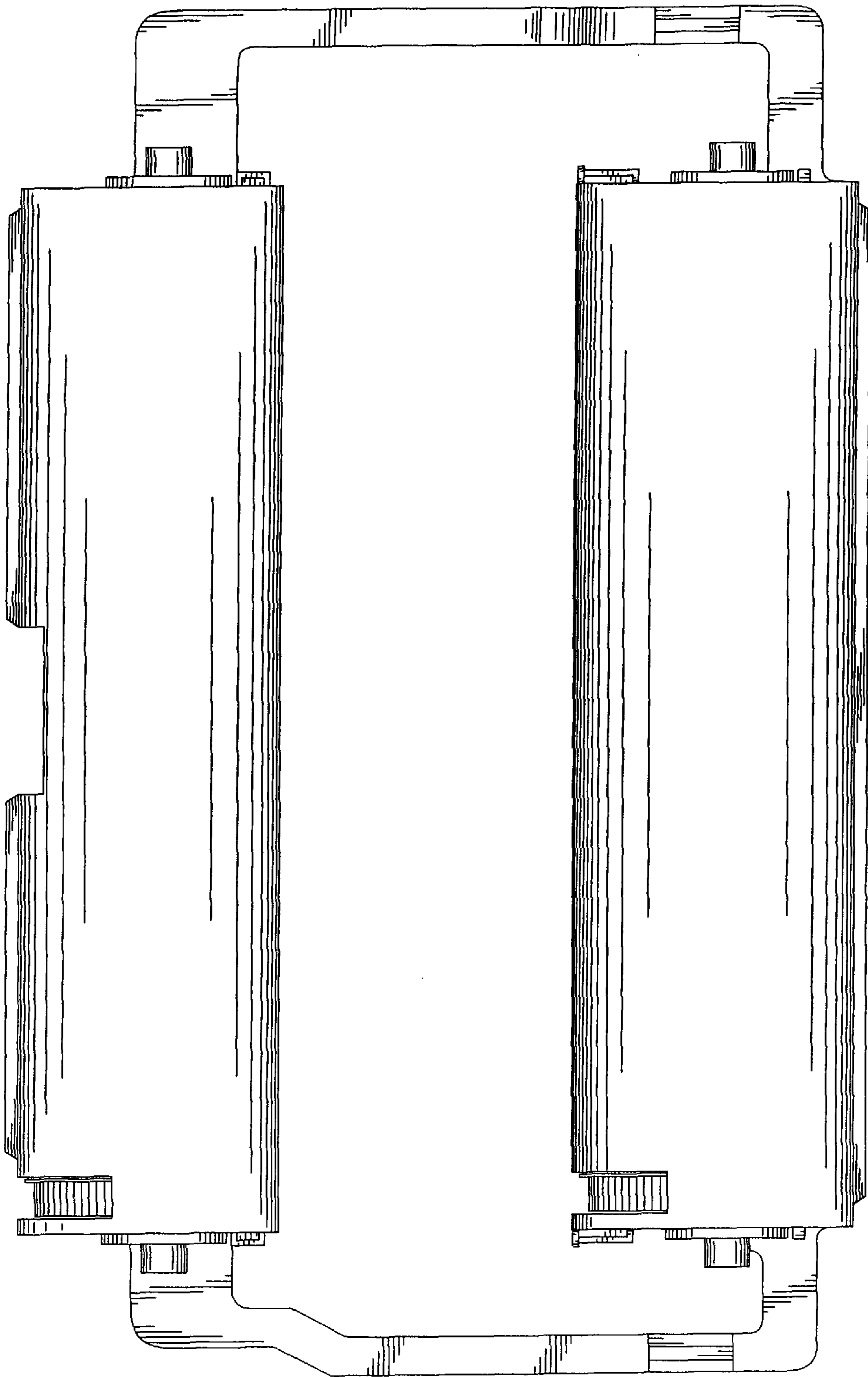


FIG. 5

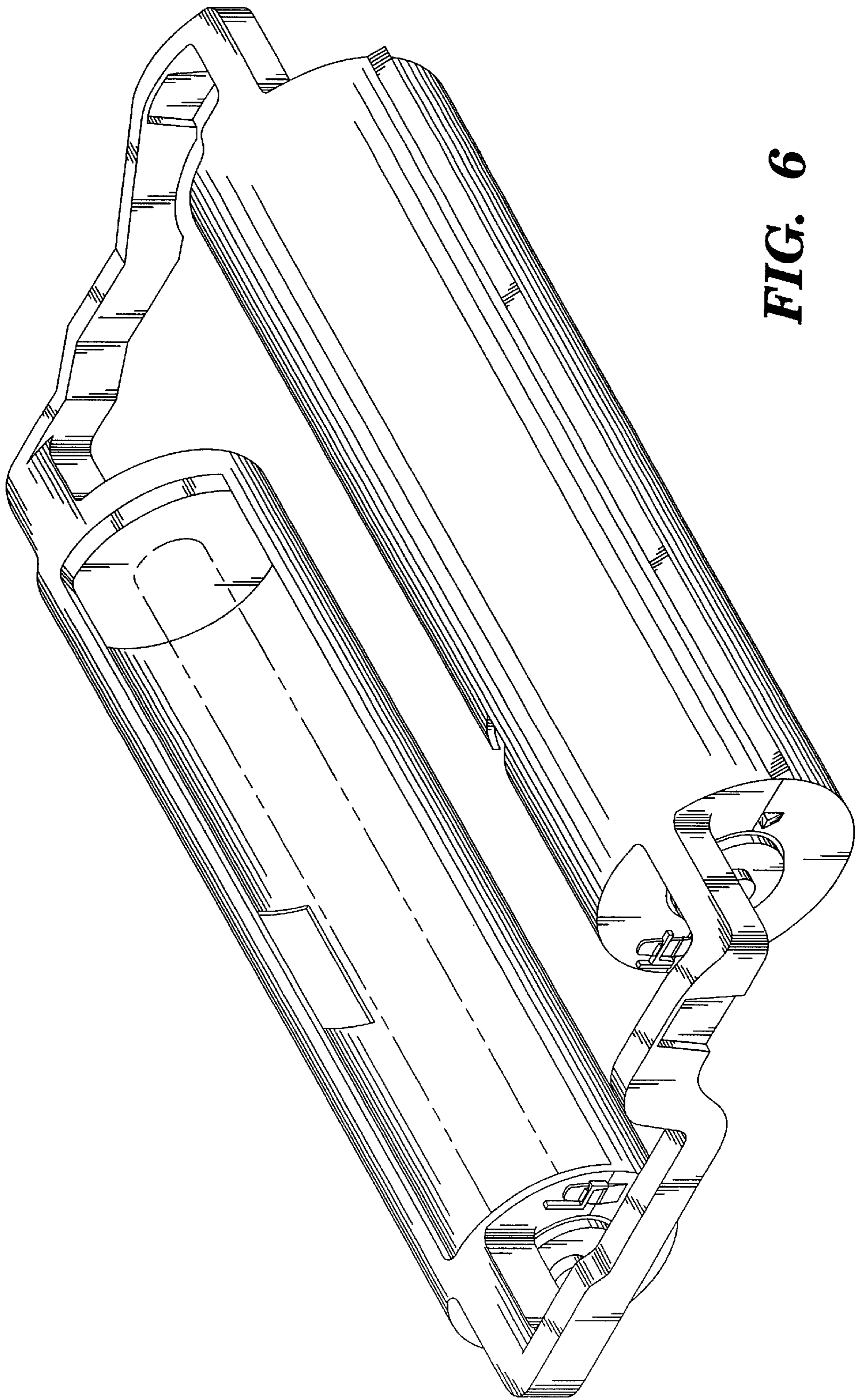


FIG. 6

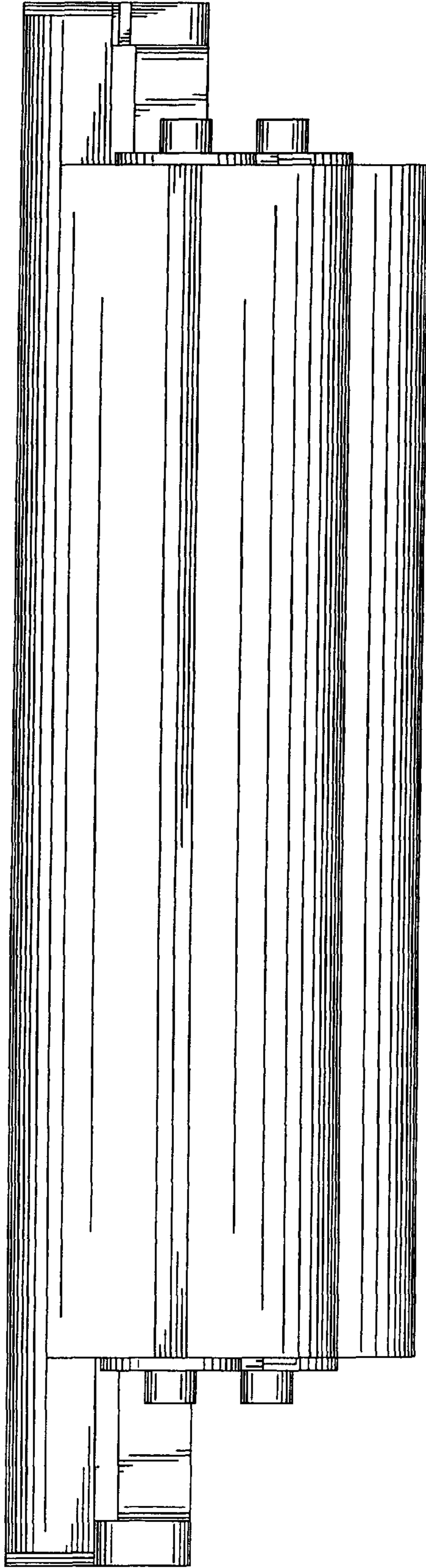


FIG. 7