



US00D458289S

(12) **United States Design Patent**  
**Ogura**

(10) **Patent No.:** **US D458,289 S**

(45) **Date of Patent:** **\*\* Jun. 4, 2002**

(54) **VIDEO CAMERA**

(75) Inventor: **Hajime Ogura**, Tokyo (JP)

(73) Assignee: **Sony Corporation**, Tokyo (JP)

(\*\*) Term: **14 Years**

(21) Appl. No.: **29/144,684**

(22) Filed: **Jul. 10, 2001**

(51) **LOC (7) Cl.** ..... **16-01**

(52) **U.S. Cl.** ..... **D16/202**

(58) **Field of Search** ..... D16/200-205;  
348/14.01, 14.02-14.09, 14.1, 143, 373-376;  
358/906-909.1; 396/535-541, 427

(56) **References Cited**

**U.S. PATENT DOCUMENTS**

D367,488 S	*	2/1996	Takano et al.	.....	D16/202
5,631,699 A	*	5/1997	Saito	.....	348/143
D386,505 S		11/1997	Maeyama	.....	D16/202
D426,249 S	*	6/2000	Tsujimoto	.....	D16/202
D433,431 S		11/2000	Uehara et al.	.....	D16/202
D438,223 S	*	2/2001	Kawashima	.....	D16/202
D446,535 S	*	8/2001	Chang	.....	D16/203

**OTHER PUBLICATIONS**

Home page "Communication Camera", p. 1, Canon Sales Co., Inc., Oct. 2000.

\* cited by examiner

*Primary Examiner*—Adir Aronovich

(74) *Attorney, Agent, or Firm*—Rader, Fishman & Grauer, PLLC

(57) **CLAIM**

The ornamental design for a video camera, as shown and described.

**DESCRIPTION**

FIG. 1 is a perspective view of a video camera showing my new design;

FIG. 2 is a front elevational view thereof;

FIG. 3 is a rear elevational view thereof;

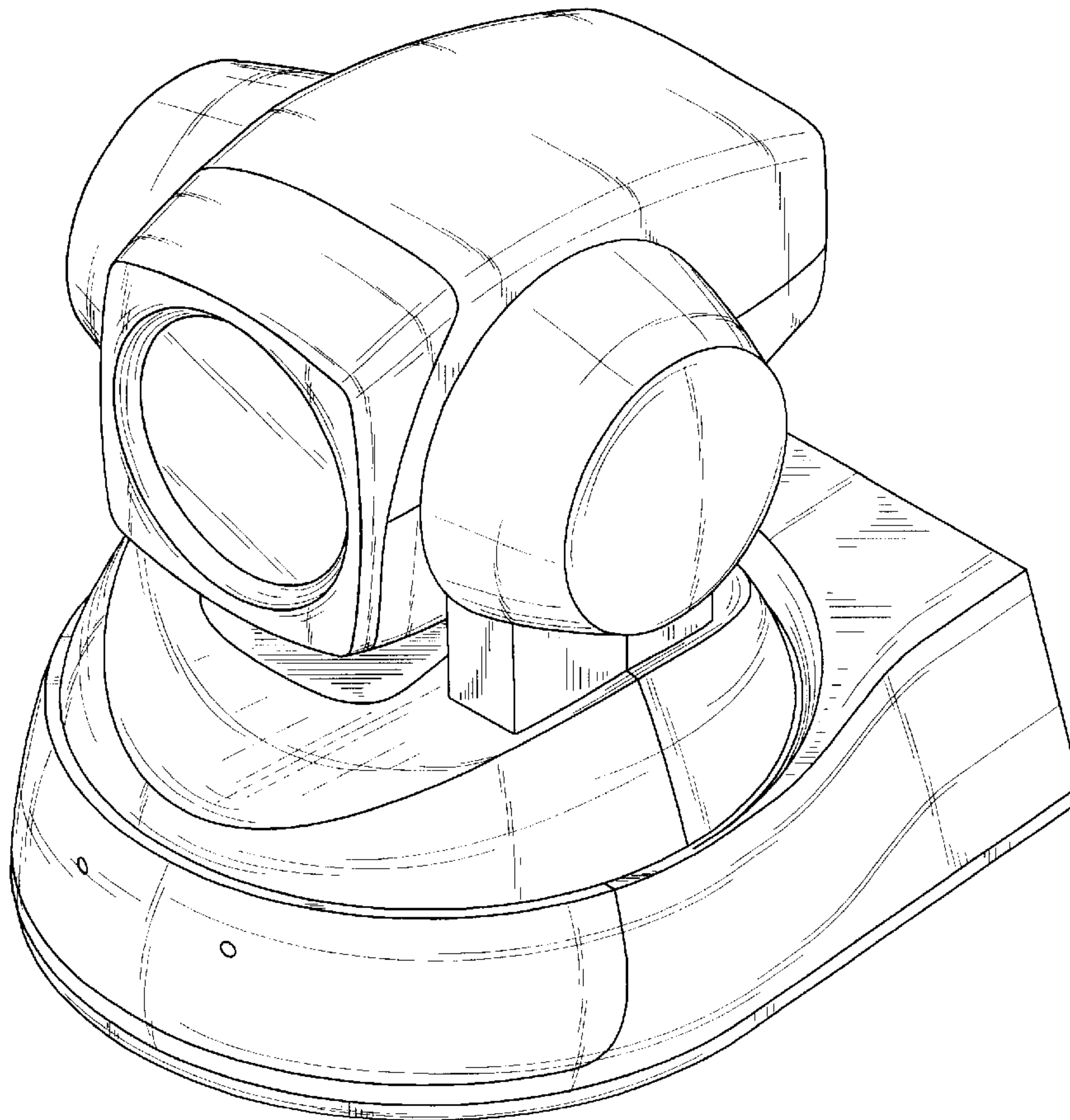
FIG. 4 is a left side elevational view thereof;

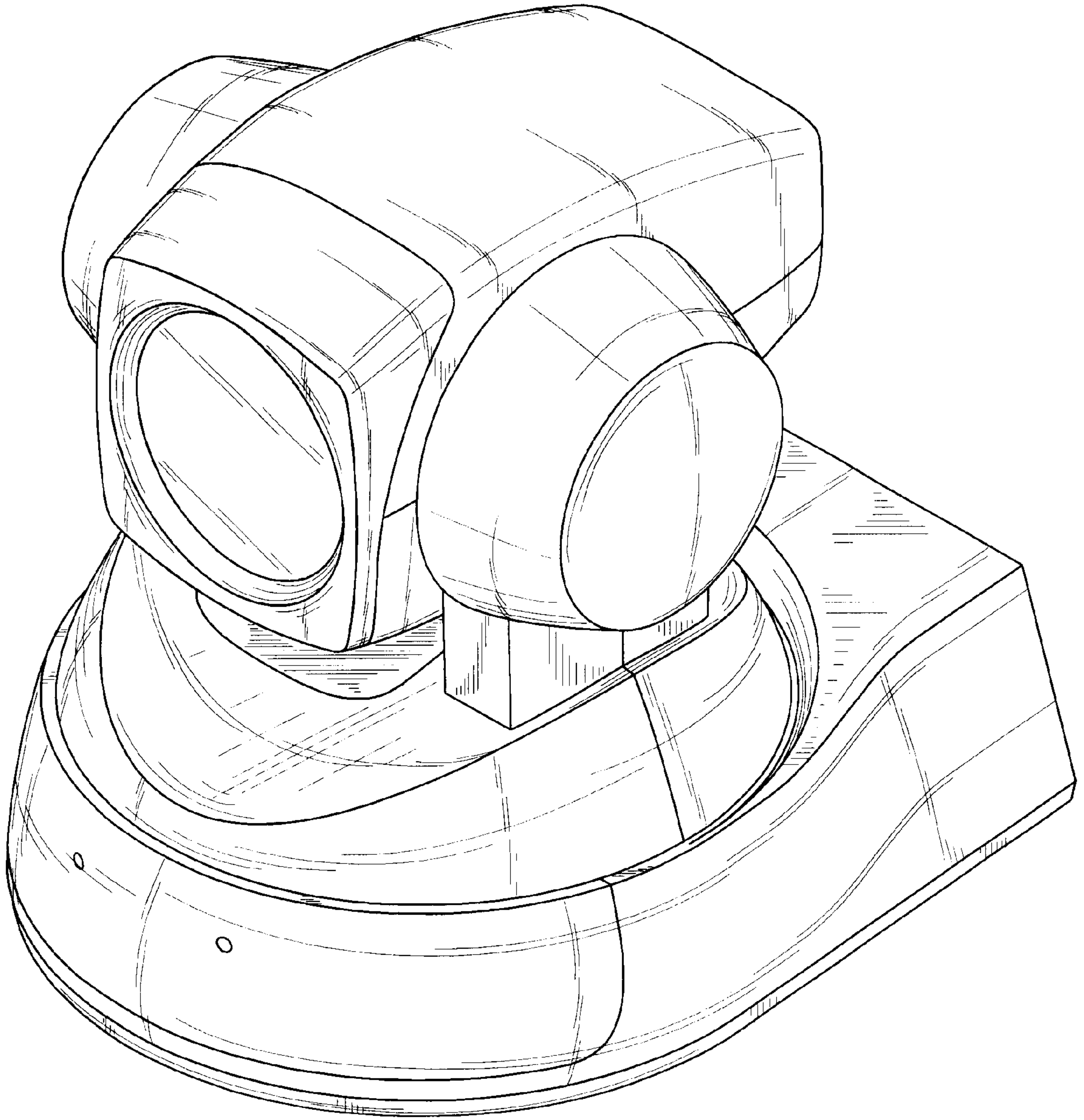
FIG. 5 is a right side elevational view thereof;

FIG. 6 is a top plan view thereof; and,

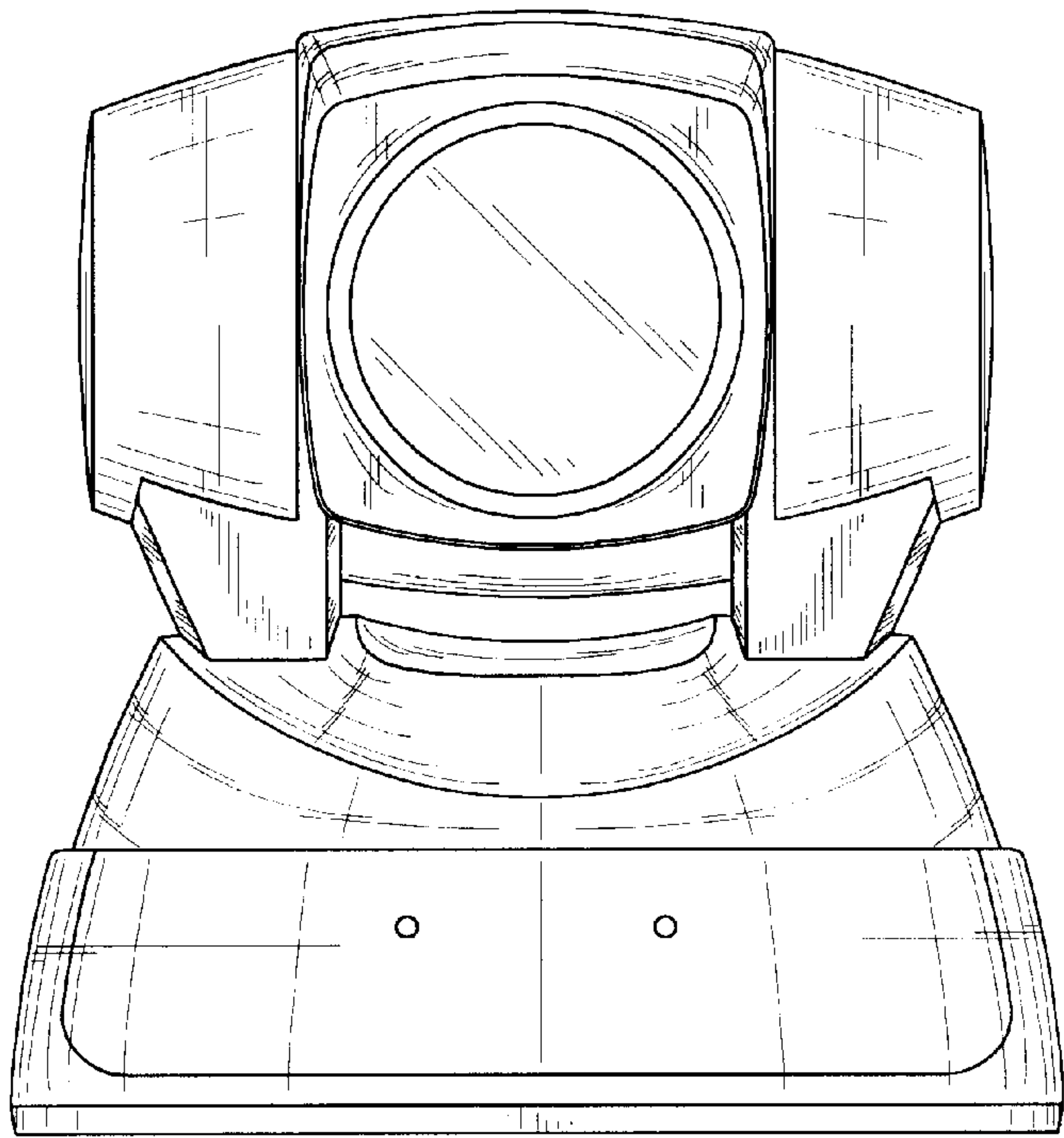
FIG. 7 is a bottom plan view thereof.

**1 Claim, 4 Drawing Sheets**

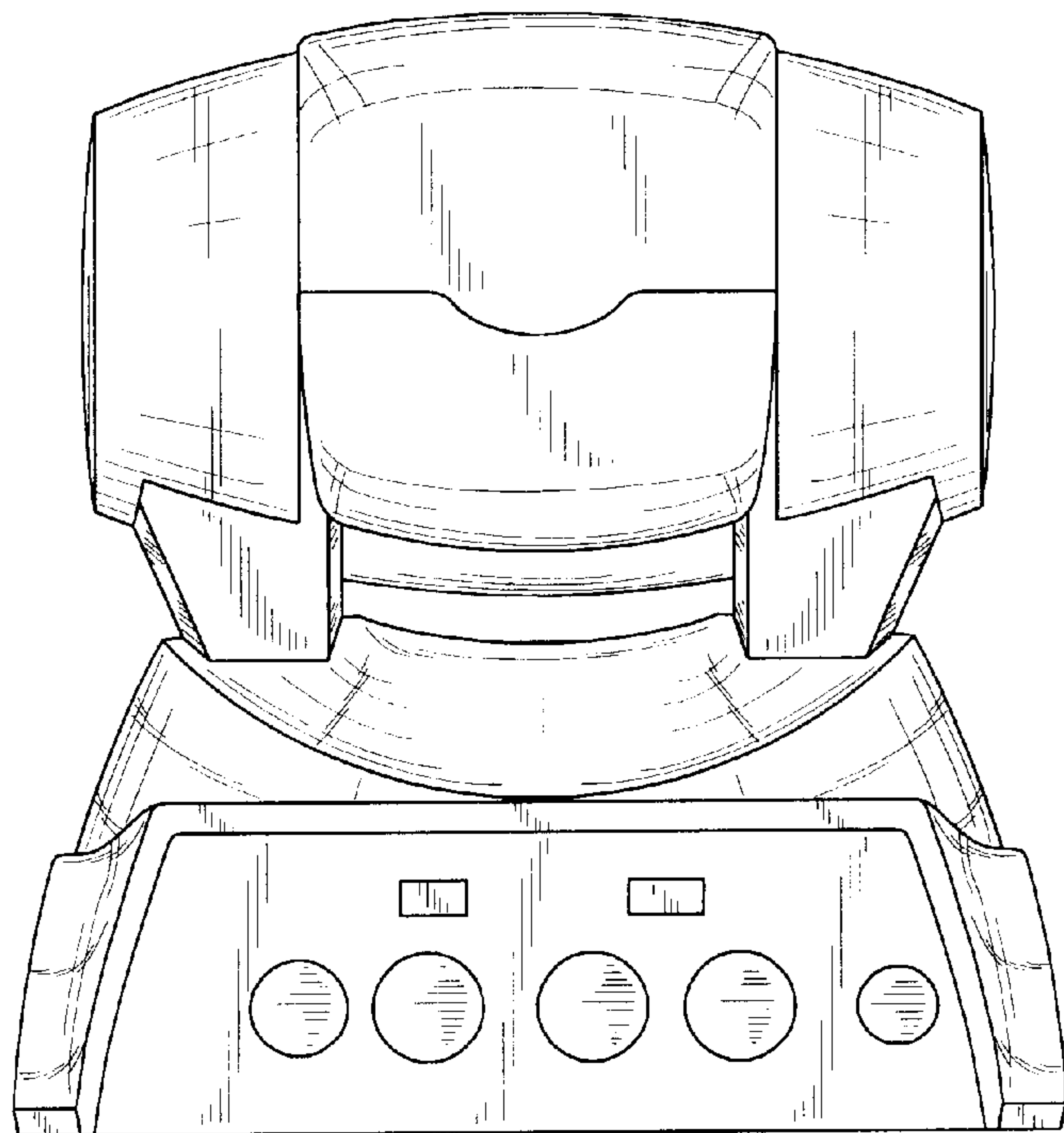




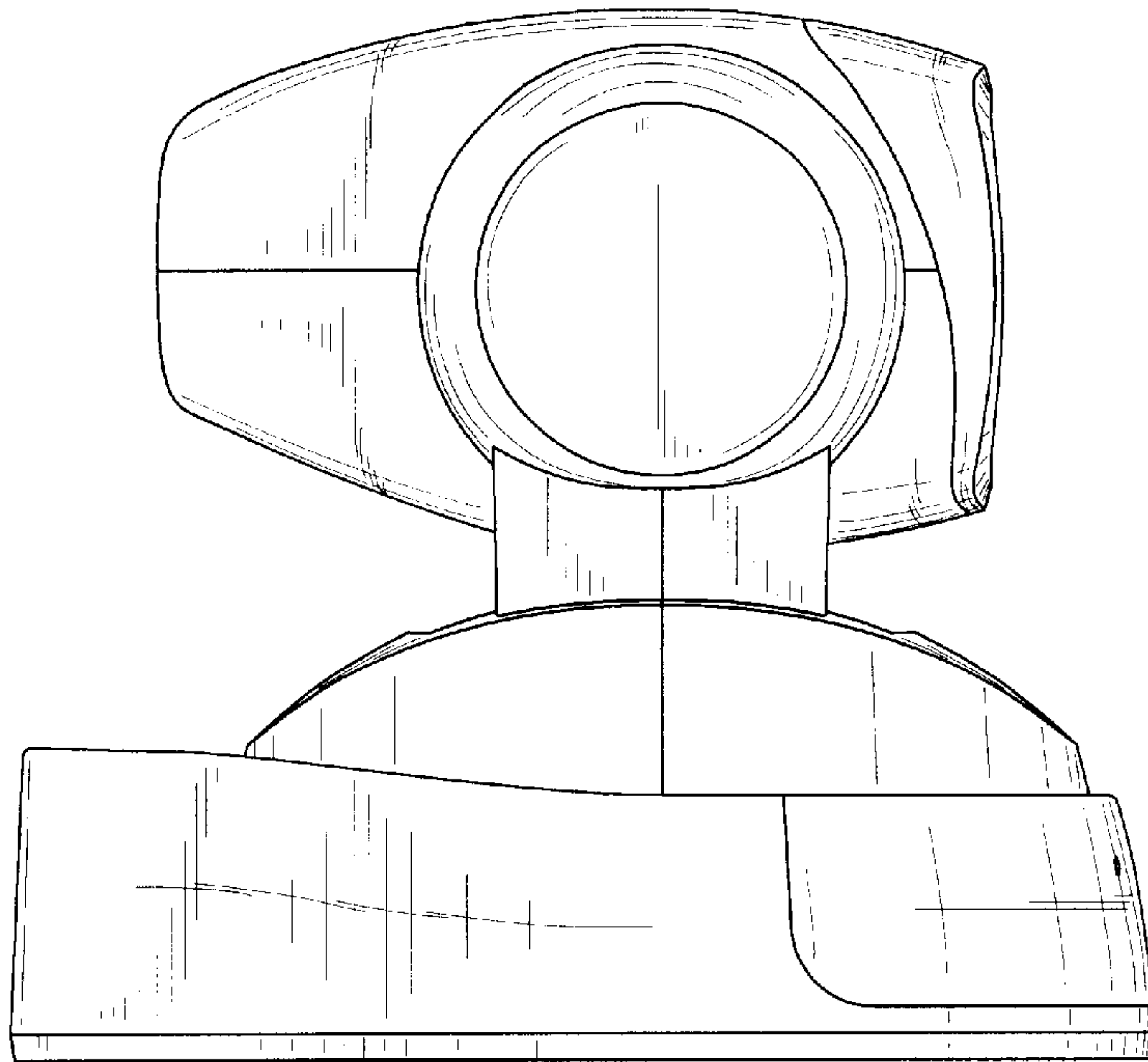
**Fig. 1**



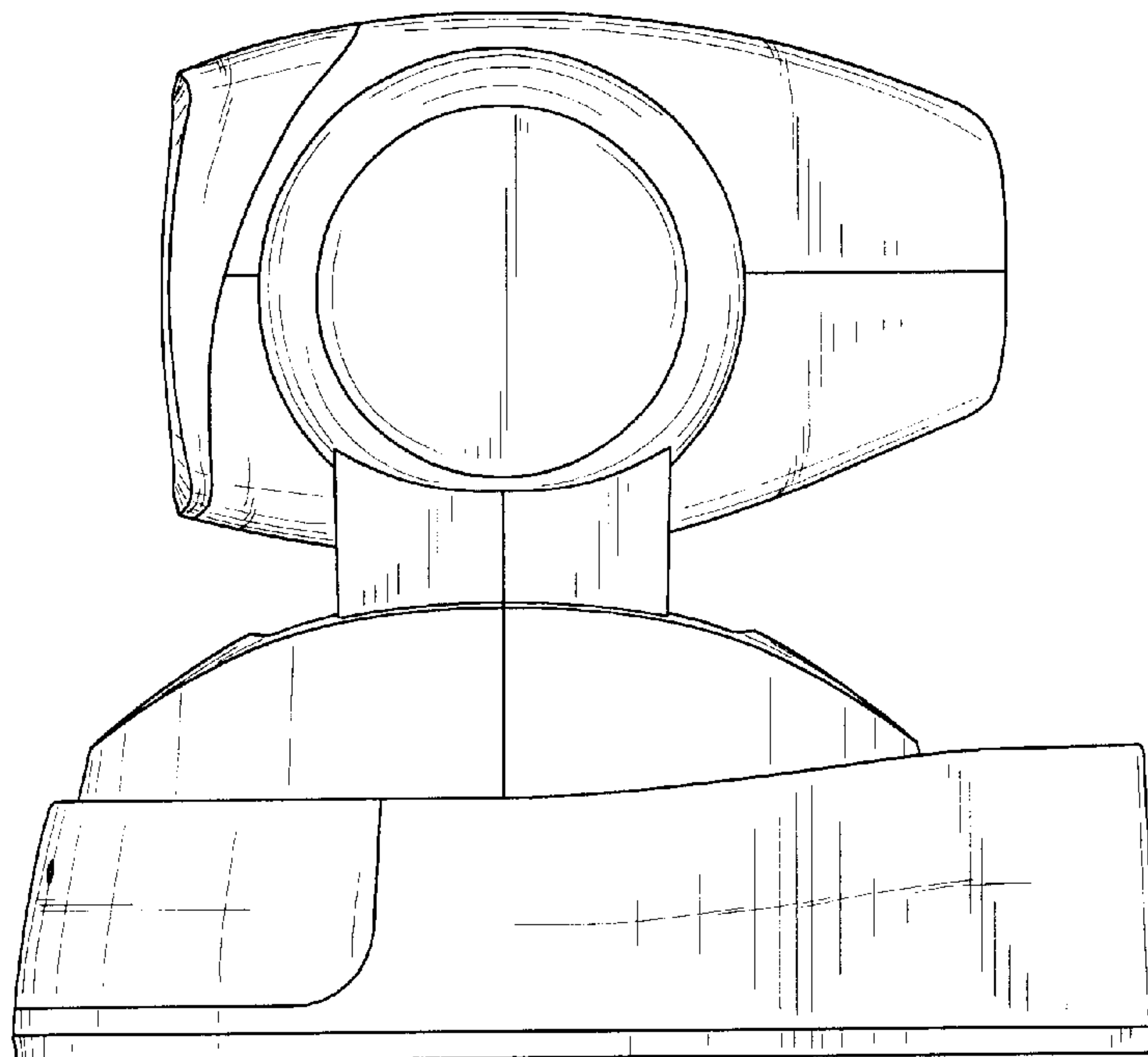
**Fig. 2**



**Fig. 3**

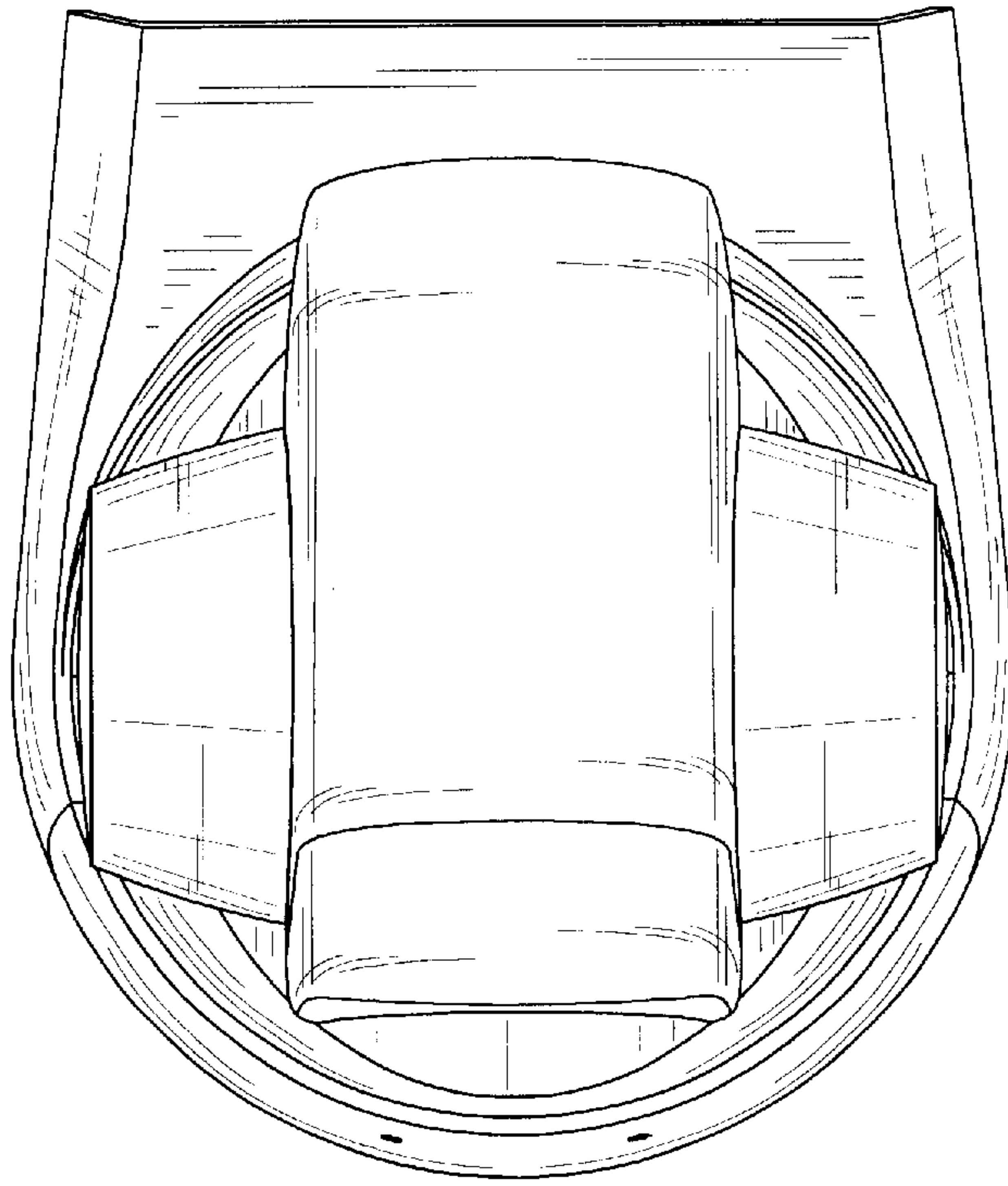


**Fig. 4**

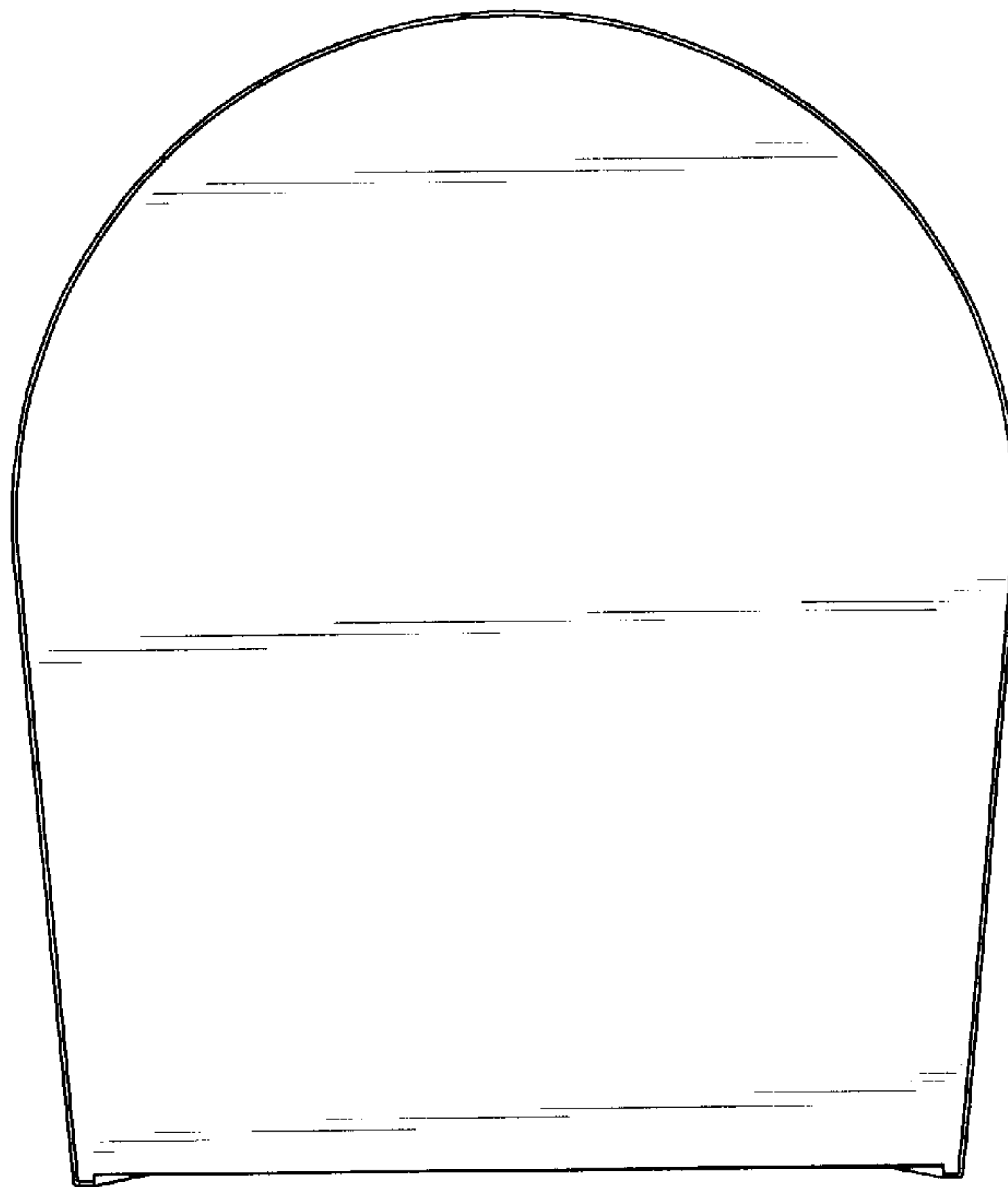


**Fig. 5**





**Fig. 6**



**Fig. 7**