



US00D458287S

(12) **United States Design Patent**
Huang

(10) **Patent No.:** **US D458,287 S**

(45) **Date of Patent:** **** Jun. 4, 2002**

(54) **MAGNIFYING DEVICE**

(75) **Inventor:** **Tsung-Hui Huang, Tai Ping (TW)**

(73) **Assignee:** **Gem Optical Co., Ltd., Taichung Hsien (TW)**

(**) **Term:** **14 Years**

(21) **Appl. No.:** **29/150,009**

(22) **Filed:** **Oct. 30, 2001**

(51) **LOC (7) Cl.** **16-06**

(52) **U.S. Cl.** **D16/135**

(58) **Field of Search** **D16/130, 135, D16/136, 300-330; D29/100, 103, 104; 2/8, 9, 10, 12, 15, 422, 439, 209.13; 356/46; 351/44-45, 46, 51, 61; 359/808, 809, 810, 812, 815**

(56) **References Cited**

U.S. PATENT DOCUMENTS

3,572,931 A * 3/1971 Adler 359/815 X

D327,491 S * 6/1992 Chandler D16/135
D359,060 S * 6/1995 Sherlock et al. D16/135
D428,620 S * 7/2000 Maturaporn D16/314
D430,887 S * 9/2000 Groff et al. D16/135
D431,042 S * 9/2000 Lin D16/304

* cited by examiner

Primary Examiner—Paula A. Mortimer

(74) *Attorney, Agent, or Firm*—Bacon & Thomas, PLLC

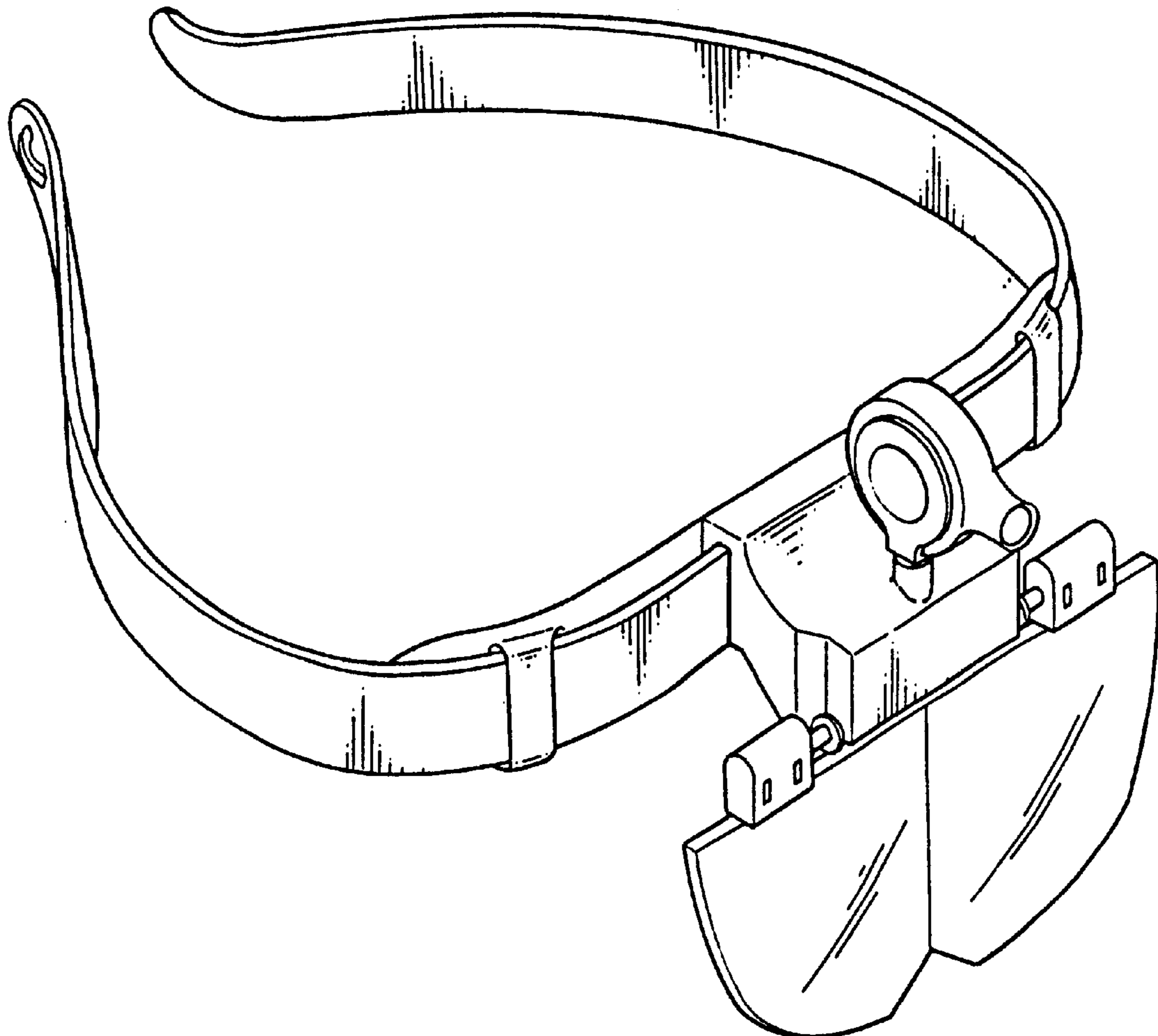
(57) **CLAIM**

The ornamental design of a magnifying device, as shown.

DESCRIPTION

FIG. 1 shows a perspective view of the present design; FIG. 2 shows a front elevational view of the present design; FIG. 3 shows a rear elevational view of the present design; FIG. 4 shows a left elevational view of the present design; FIG. 5 shows a right elevational view of the present design; FIG. 6 shows a top plan view of the present design; and, FIG. 7 shows a bottom plan view of the present design.

1 Claim, 7 Drawing Sheets



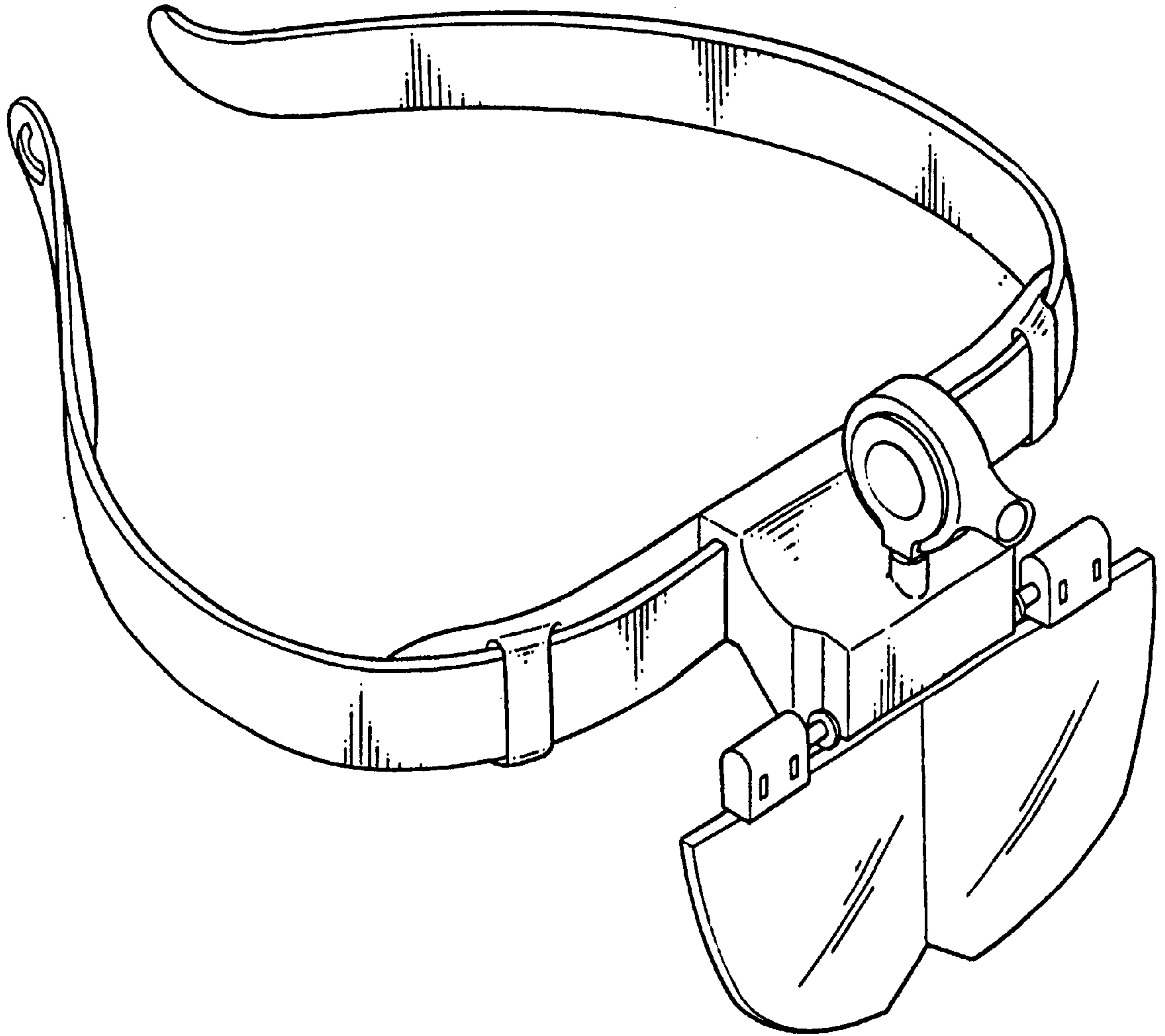


Fig • 1

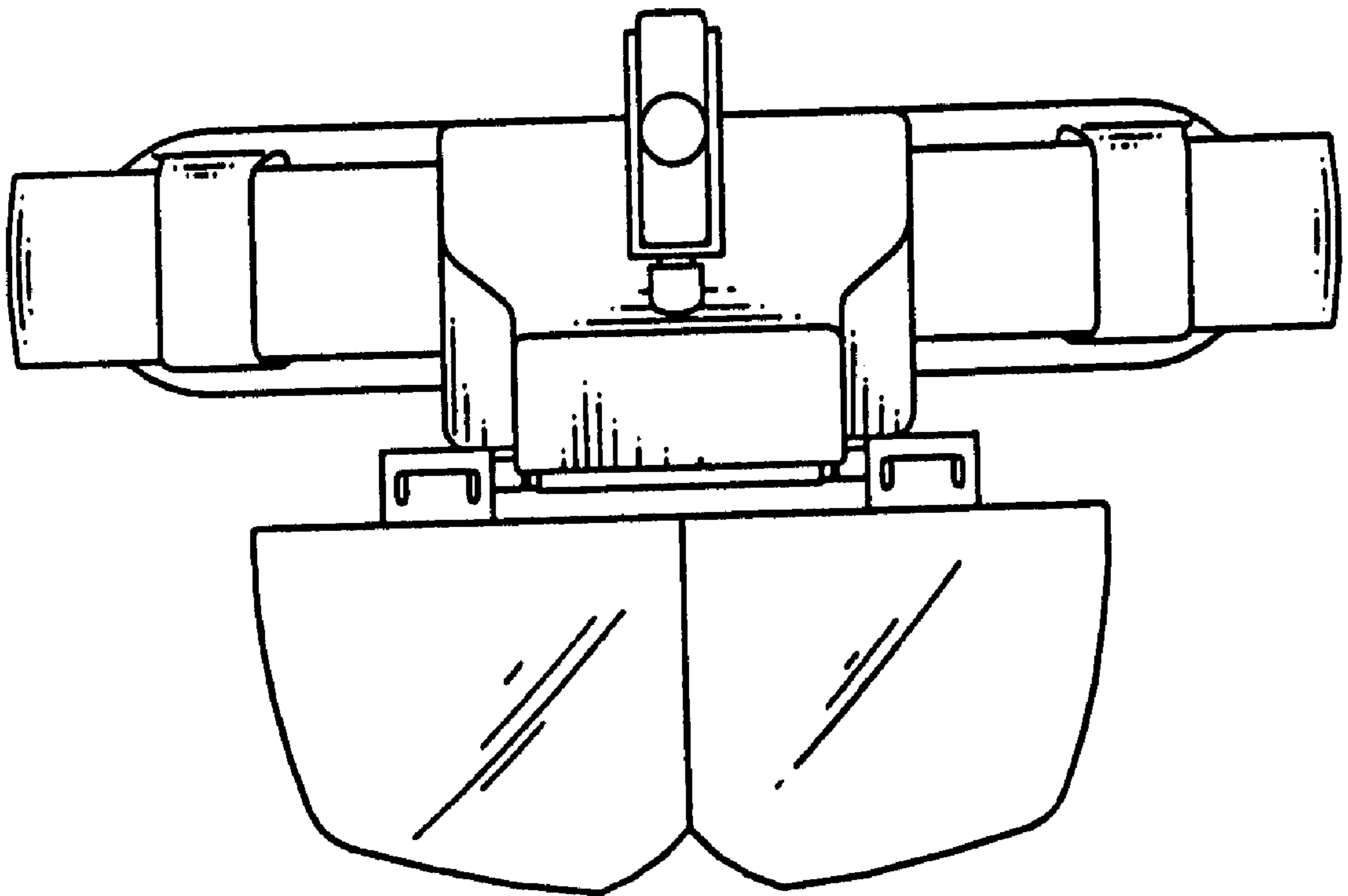


Fig • 2

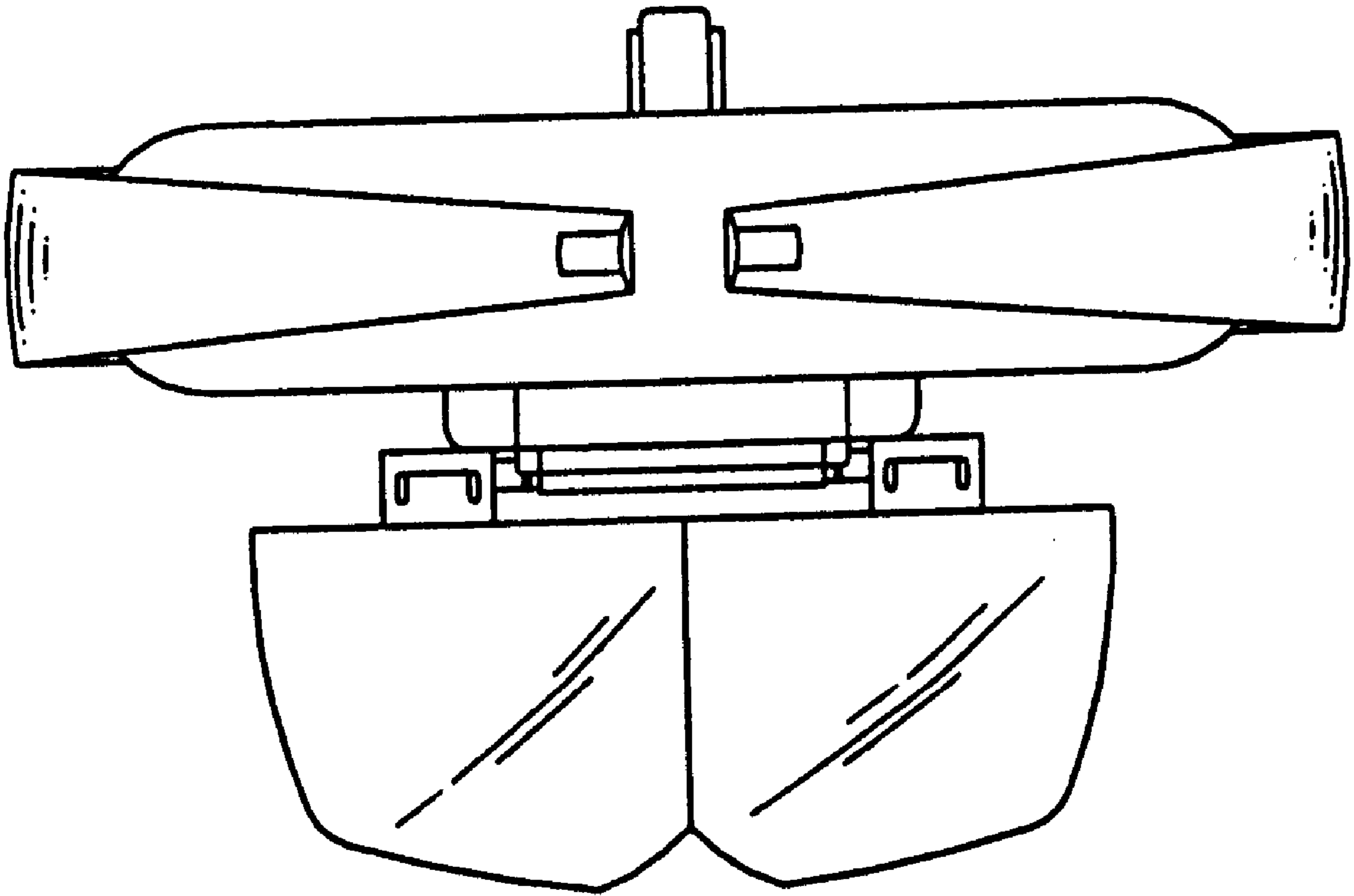


Fig • 3

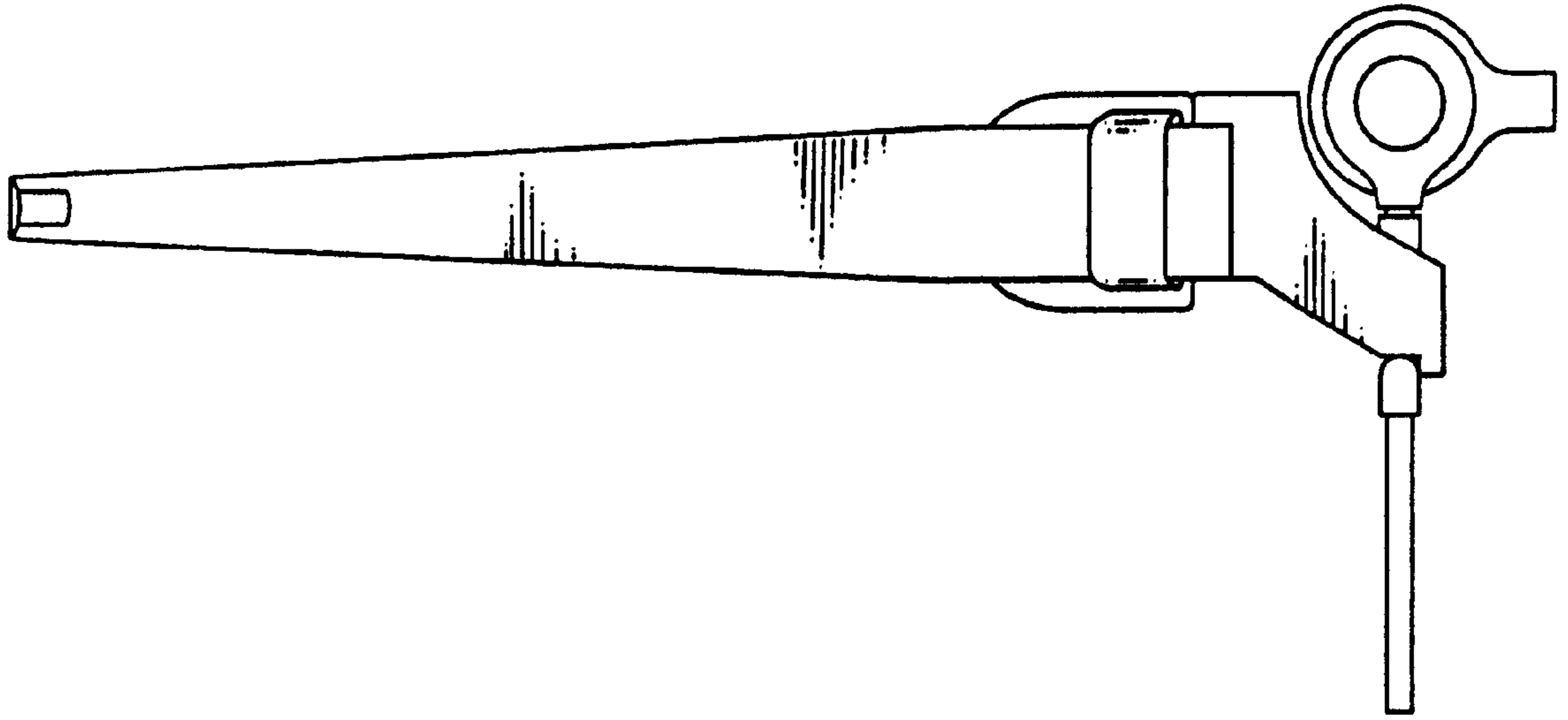


Fig • 4

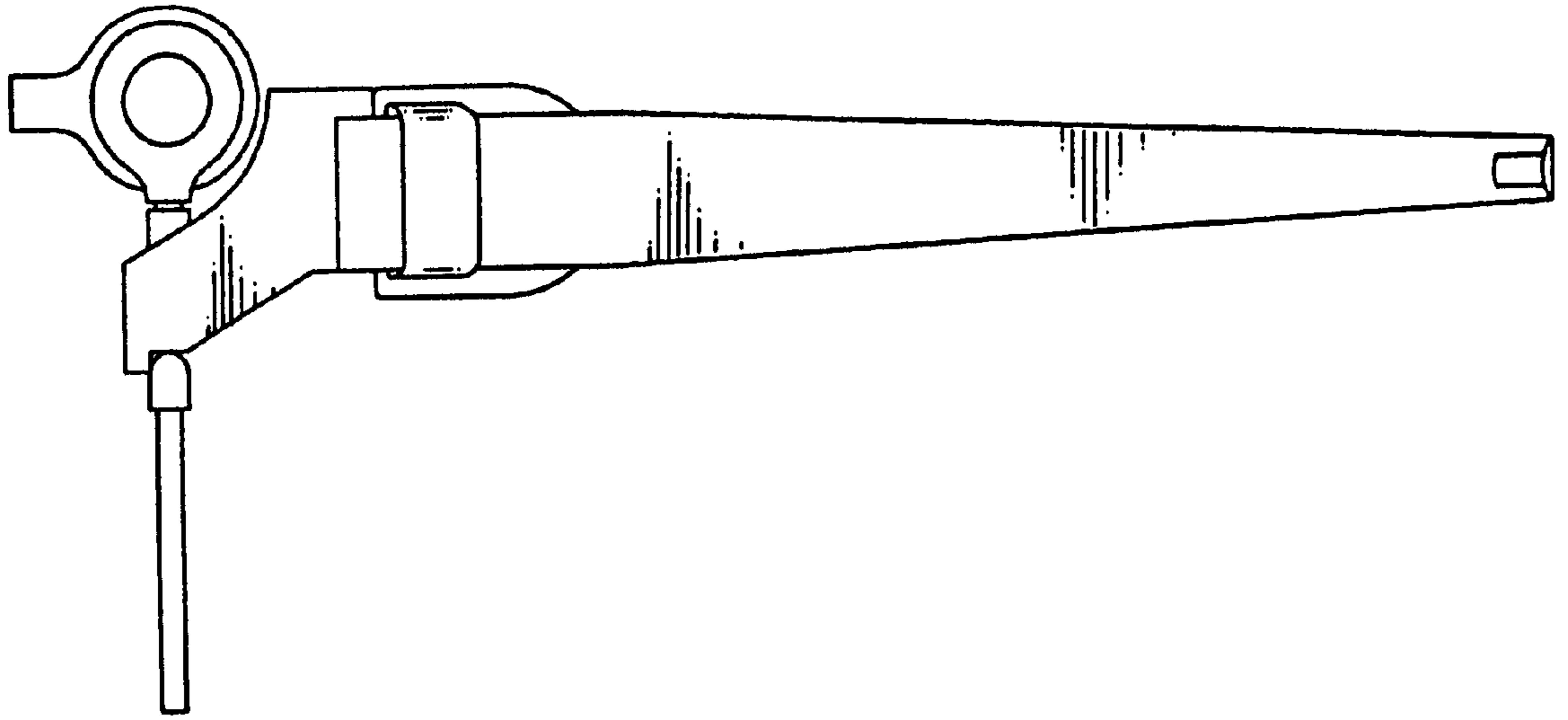


Fig • 5

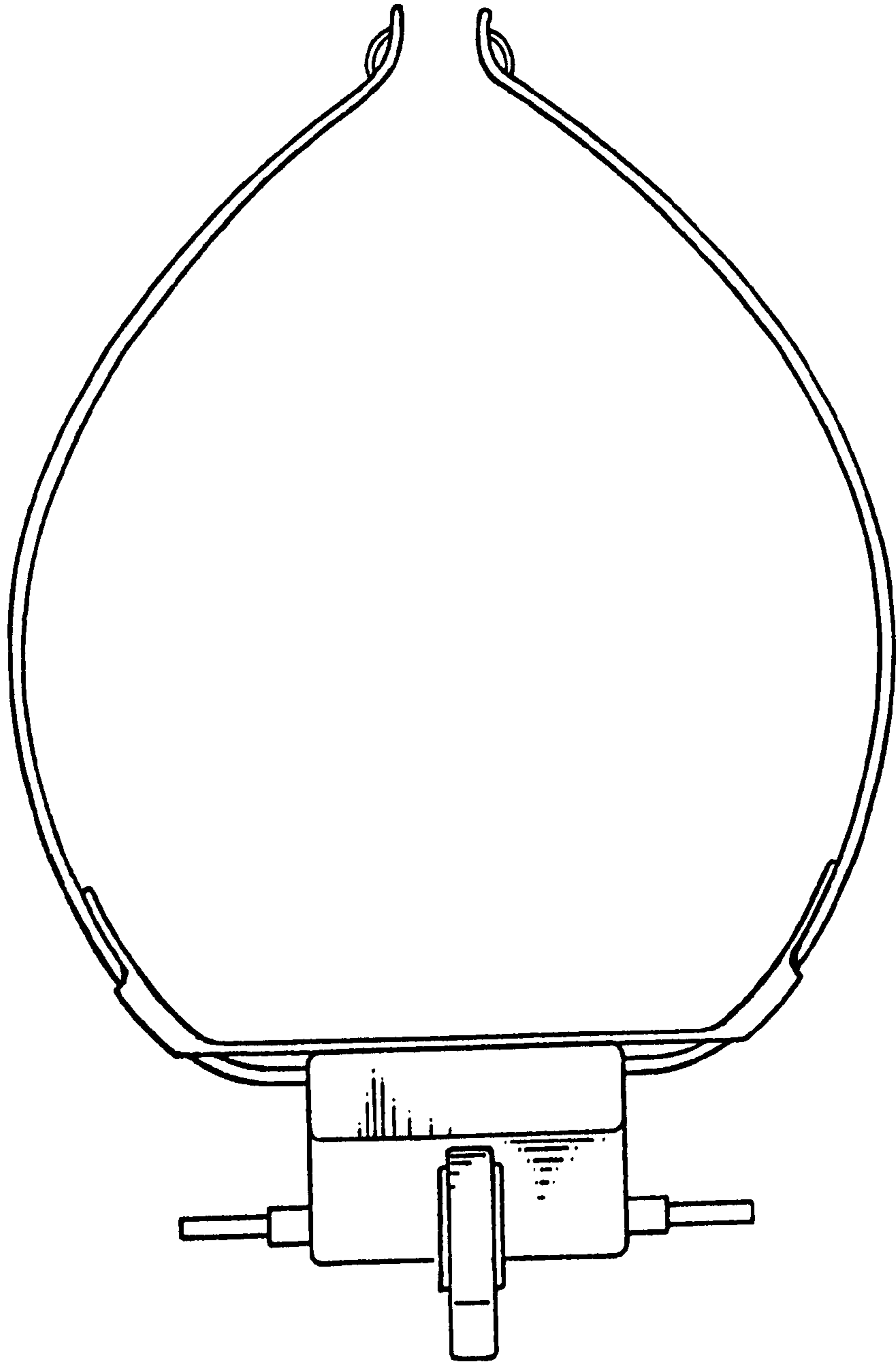


Fig • 6

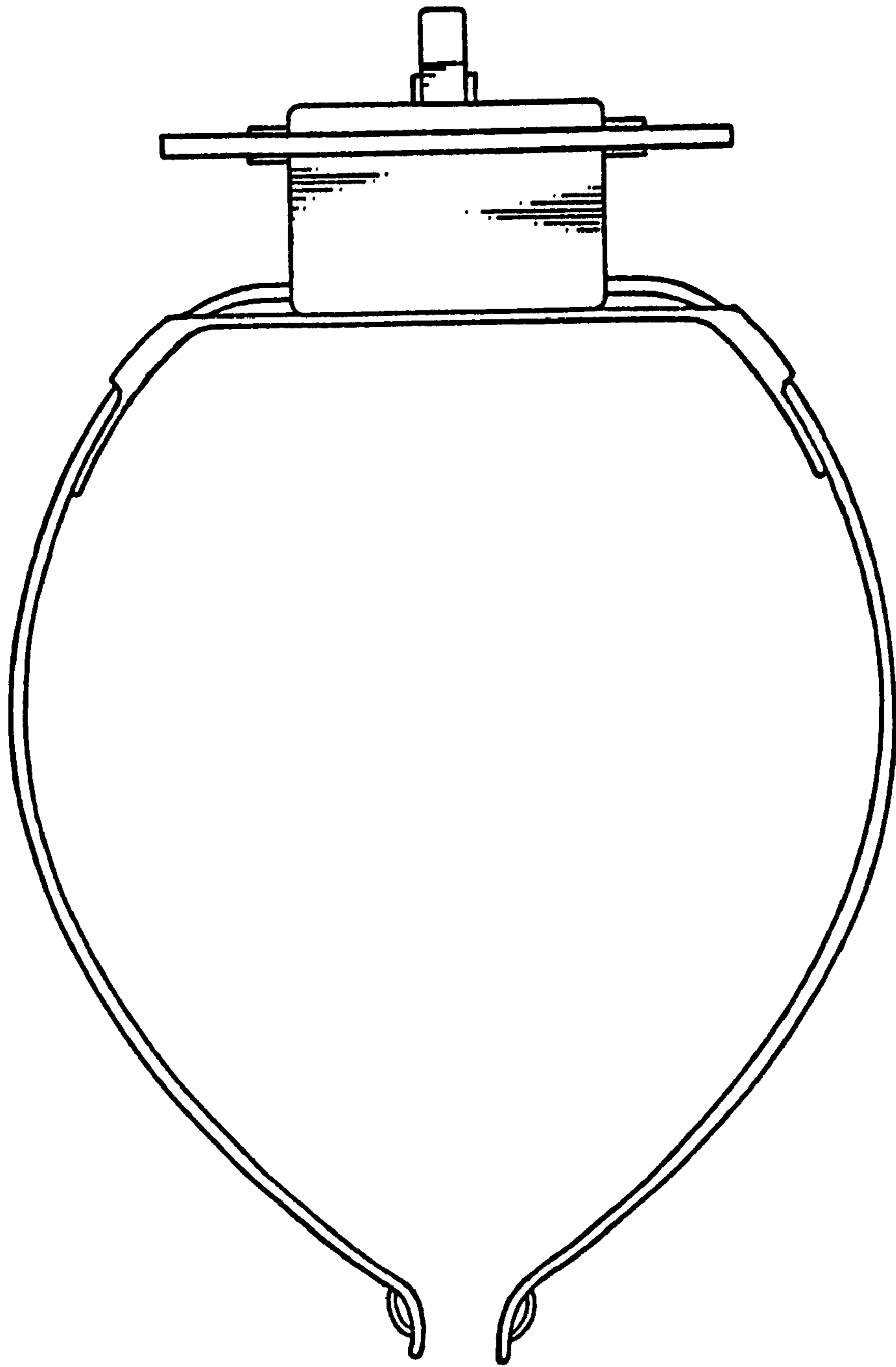


Fig. 7