



US00D458284S

(12) **United States Design Patent**
Landerholm et al.

(10) **Patent No.:** **US D458,284 S**

(45) **Date of Patent:** **** Jun. 4, 2002**

(54) **LINEAR ACTUATOR**

(75) Inventors: **John Landerholm; Peter Lund**, both of Aarhus (DK)

(73) Assignee: **Linak A/S**, Nordborg (DK)

(**) Term: **14 Years**

(21) Appl. No.: **29/139,463**

(22) Filed: **Apr. 2, 2001**

(51) **LOC (7) Cl.** **15-09**

(52) **U.S. Cl.** **D15/143**

(58) **Field of Search** D15/143, 199;
74/89.15, 490.09, 411.5; 310/20, 80; 297/14,
325, 327

(56) **References Cited**

U.S. PATENT DOCUMENTS

5,063,808 A * 11/1991 Hill 74/411.5
6,056,362 A * 5/2000 de la Haye 297/314

* cited by examiner

Primary Examiner—Antoine Duval Davis
(74) *Attorney, Agent, or Firm*—Dykema Gossett PLLC

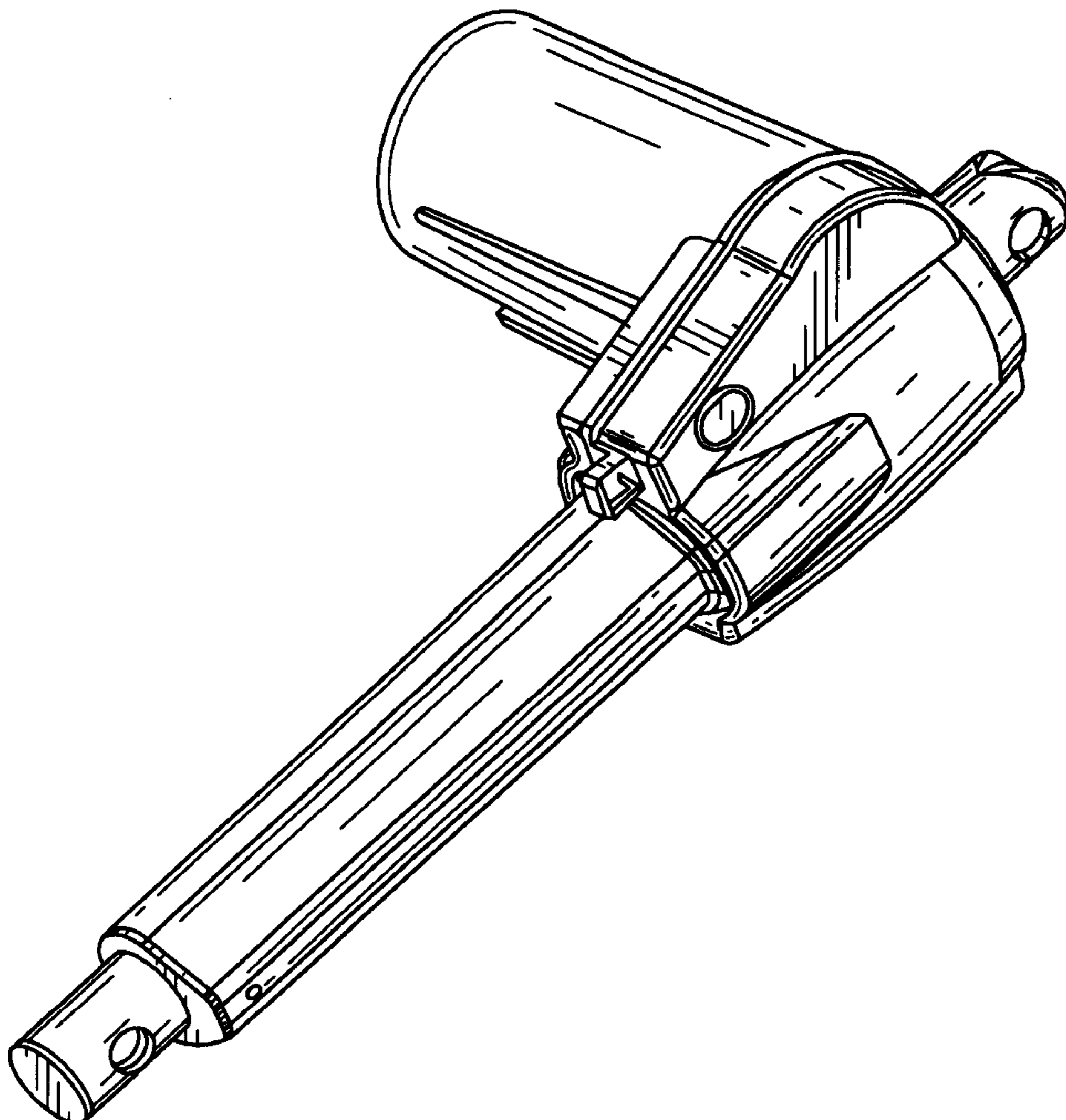
(57) **CLAIM**

The ornamental design for a linear actuator, as shown and described.

DESCRIPTION

FIG. 1 is a perspective front view of the linear actuator thereof,
FIG. 2 is a perspective rear view of the linear actuator,
FIG. 3 is a top plan view of the linear actuator,
FIG. 4 is an elevational rear end view of the linear actuator,
FIG. 5 is an elevational front end view of the linear actuator,
FIG. 6 is an elevational left side view of the linear actuator,
FIG. 7 is a perspective front view of the linear actuator thereof,
FIG. 8 is a perspective rear view of the linear actuator,
FIG. 9 is a top plan view of the linear actuator,
FIG. 10 is an elevational rear end view of the linear actuator,
FIG. 11 is an elevational front end view of the linear actuator; and,
FIG. 12 is an elevational left side view of the linear actuator.

1 Claim, 4 Drawing Sheets



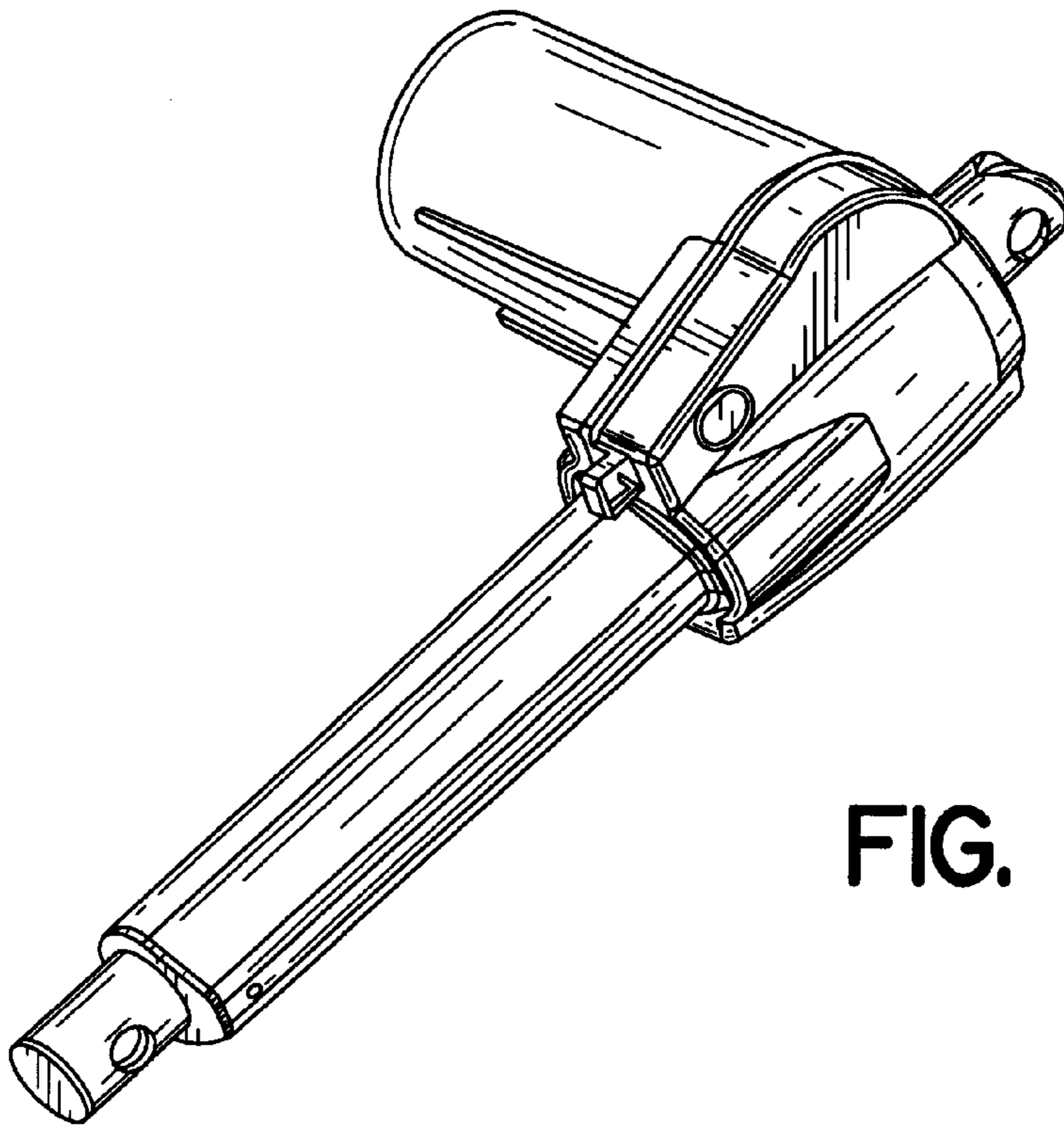


FIG. 1

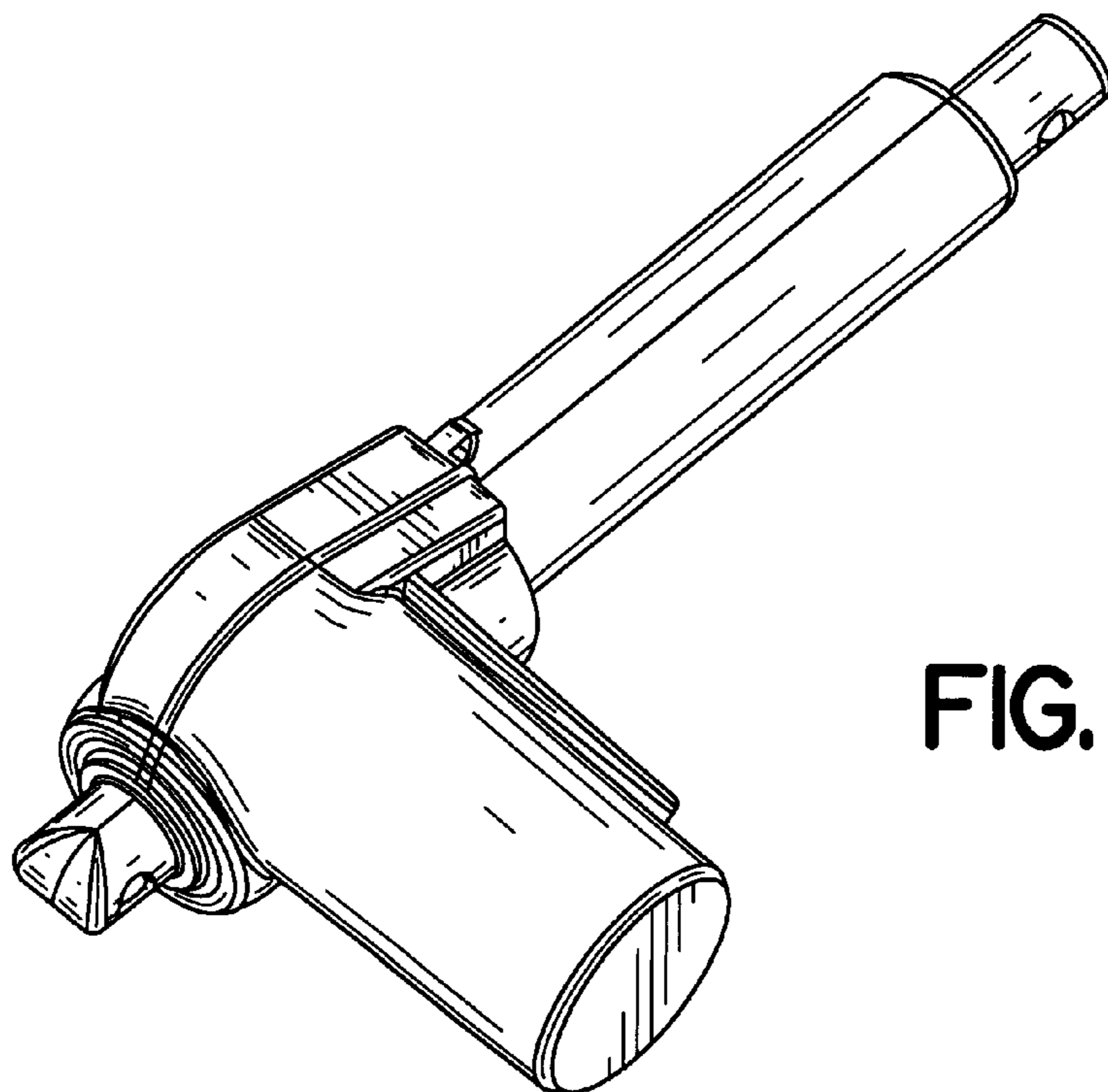


FIG. 2

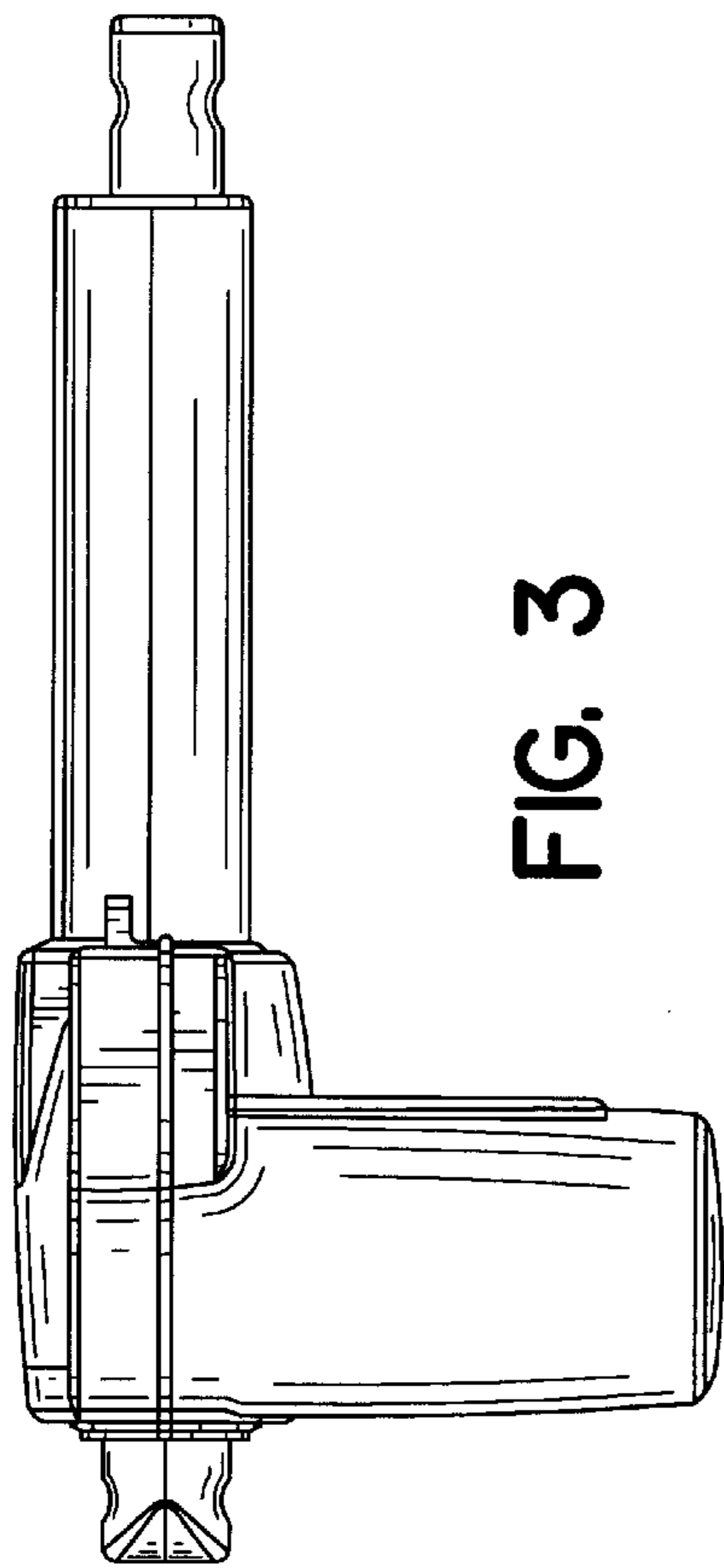


FIG. 3

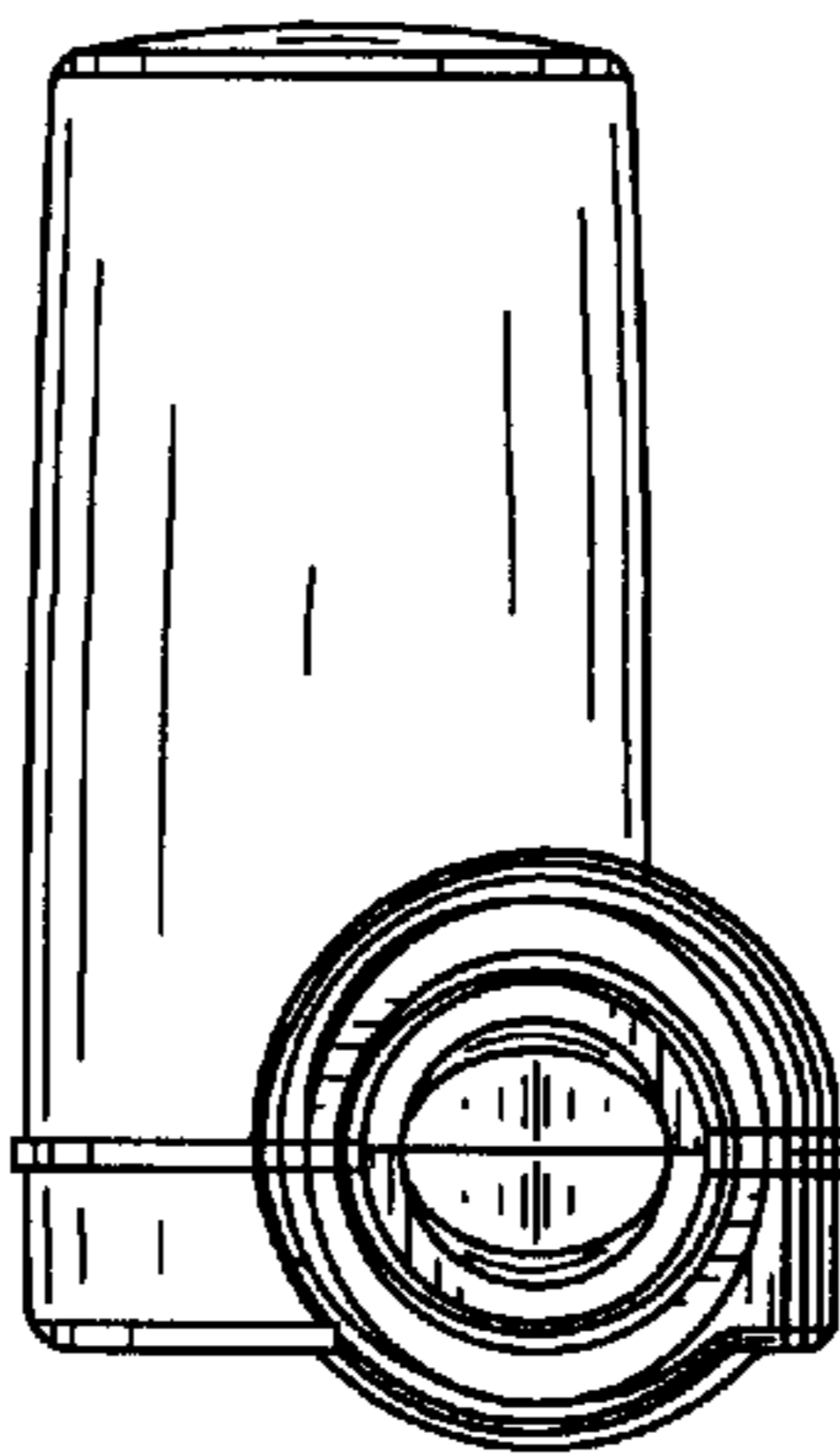


FIG. 4

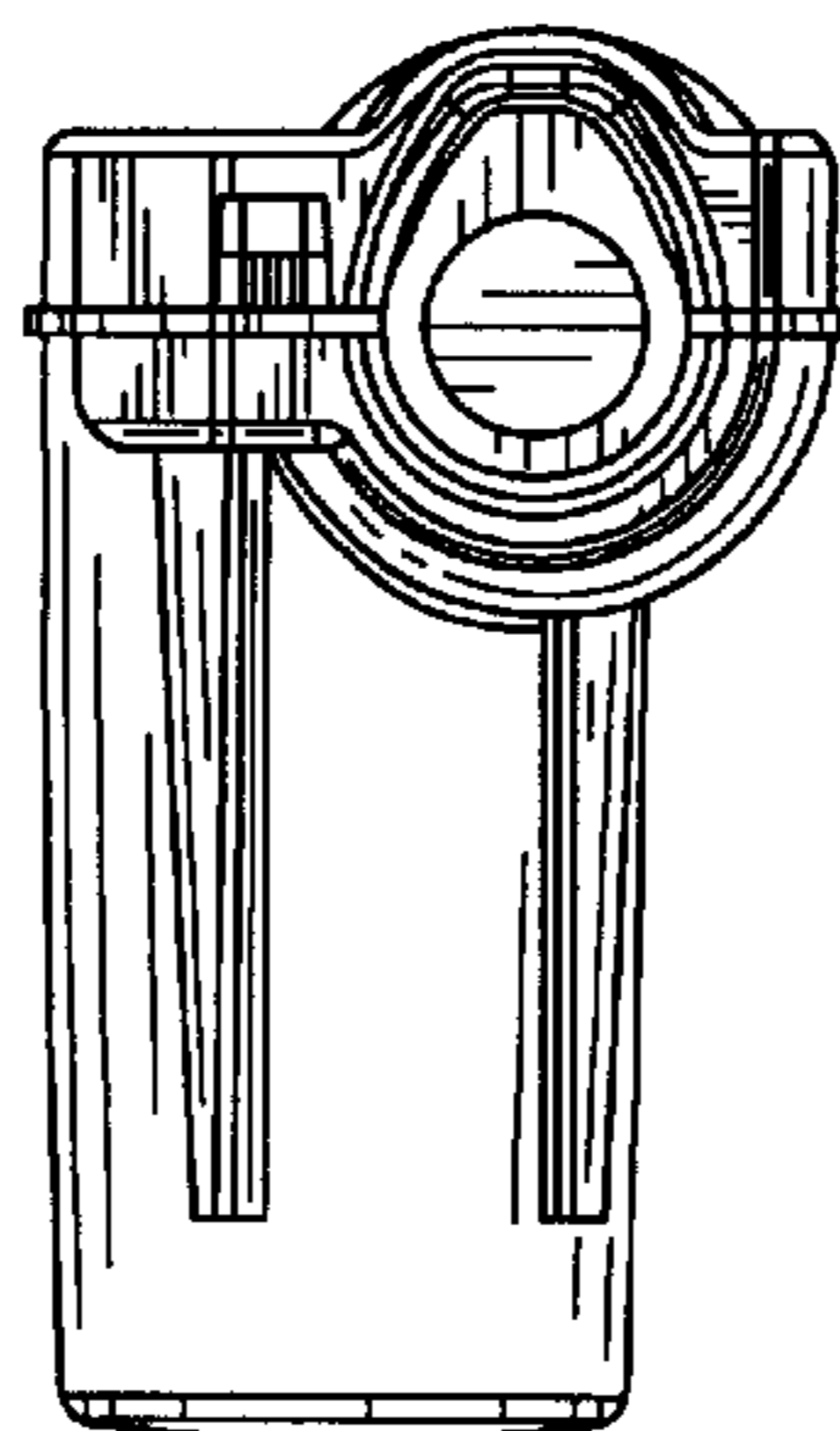


FIG. 5

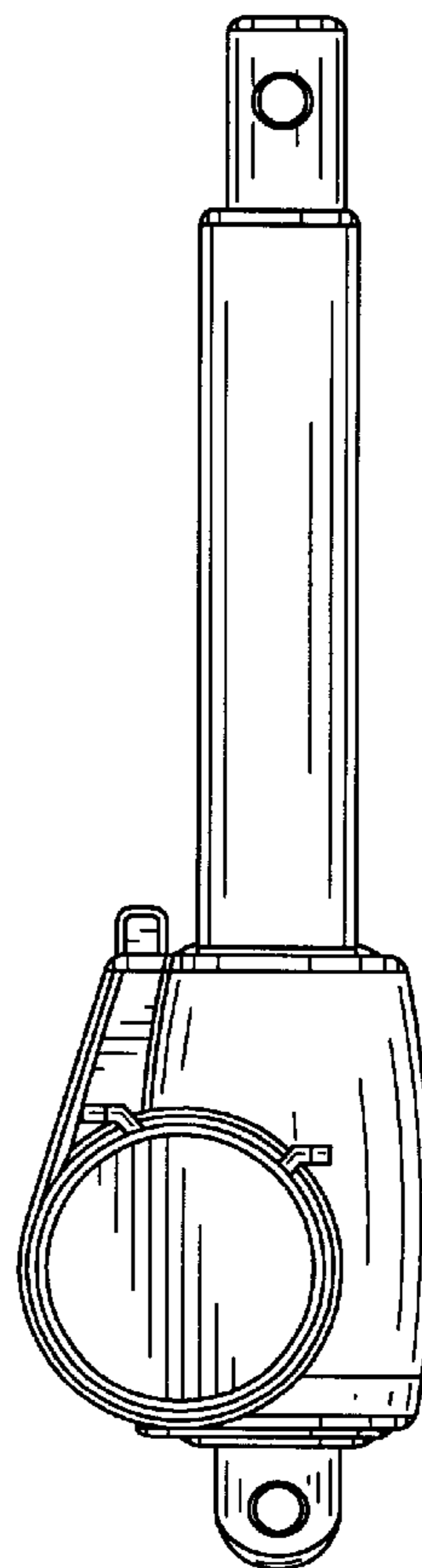


FIG. 6

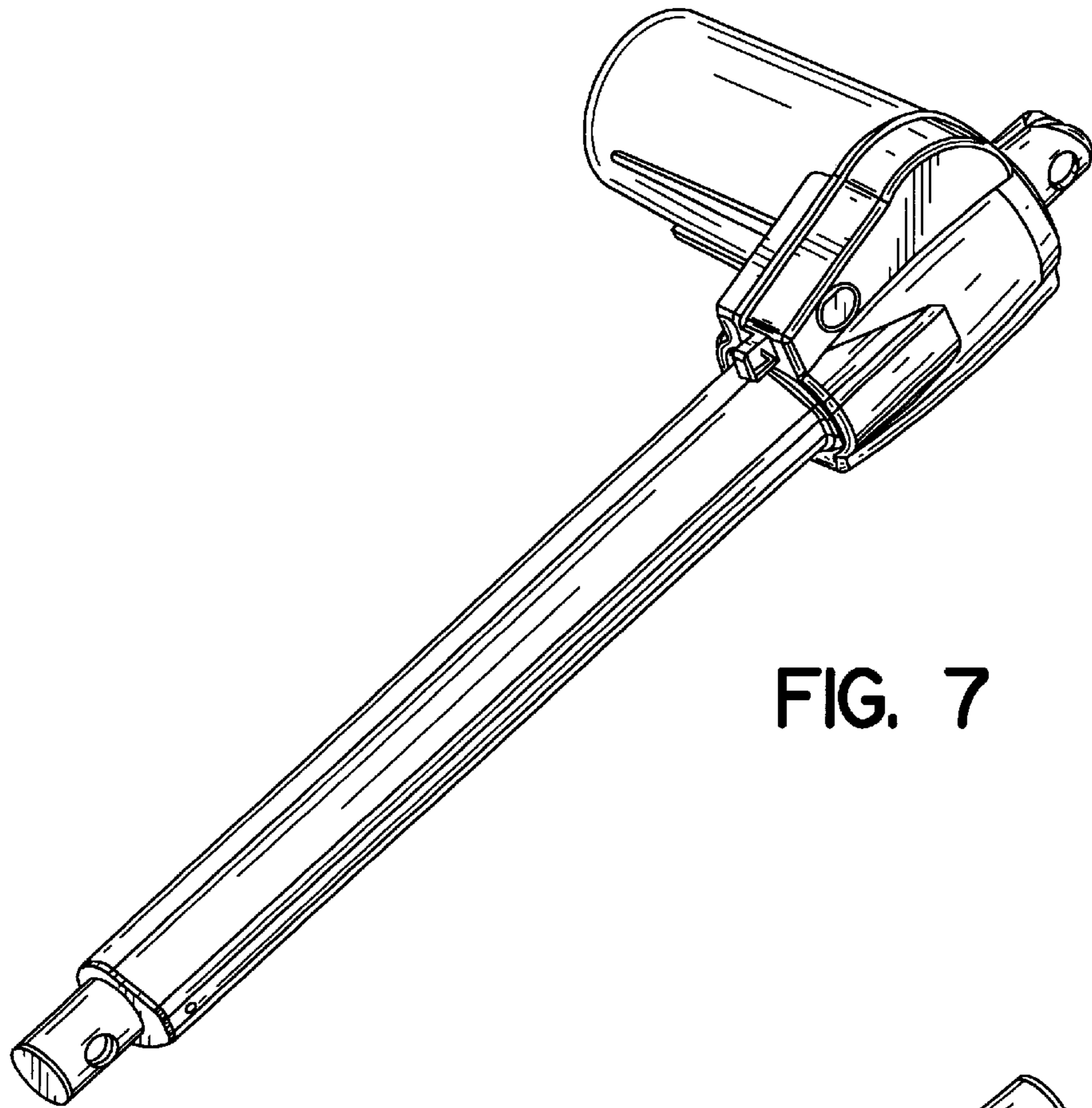


FIG. 7

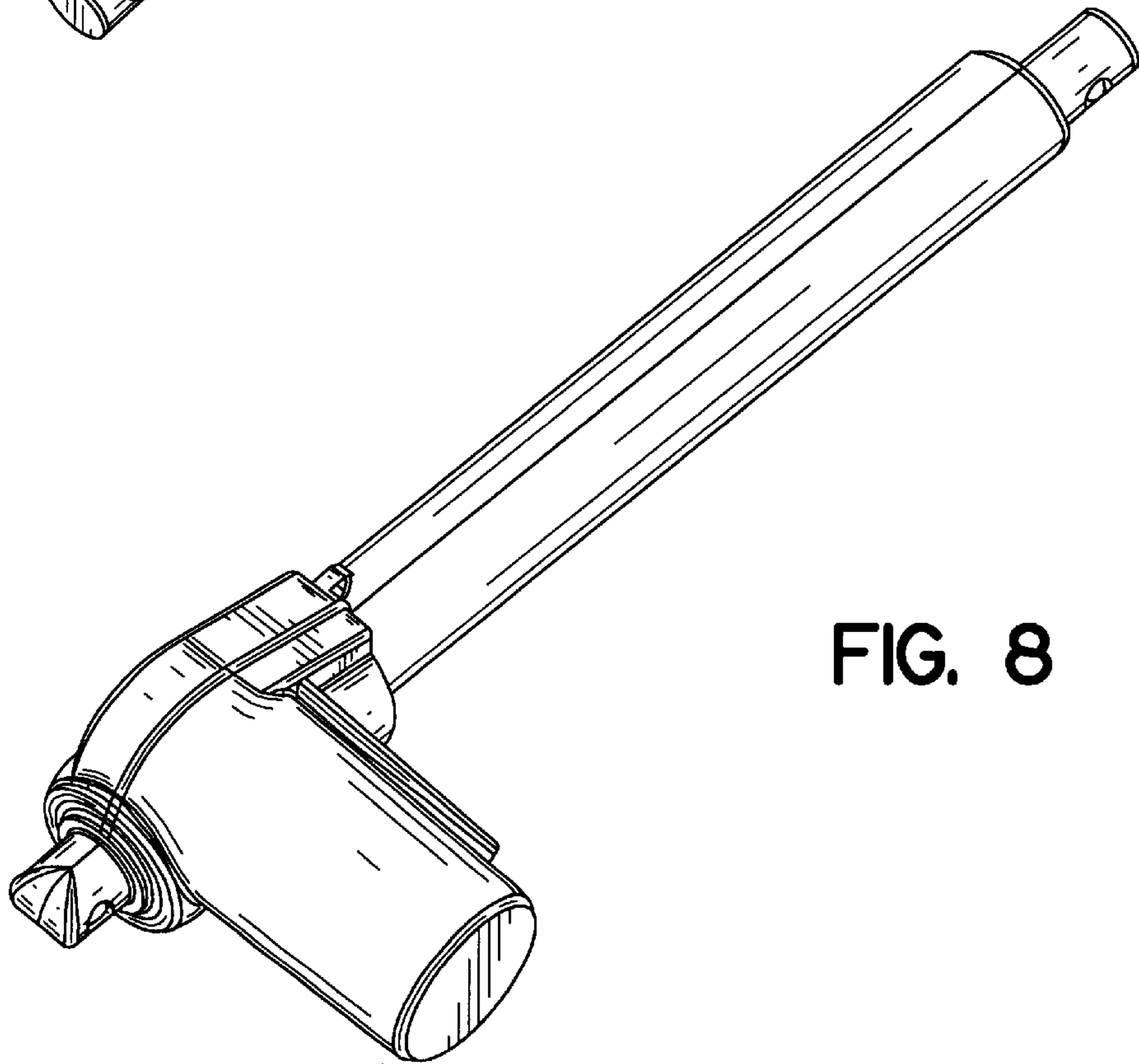


FIG. 8

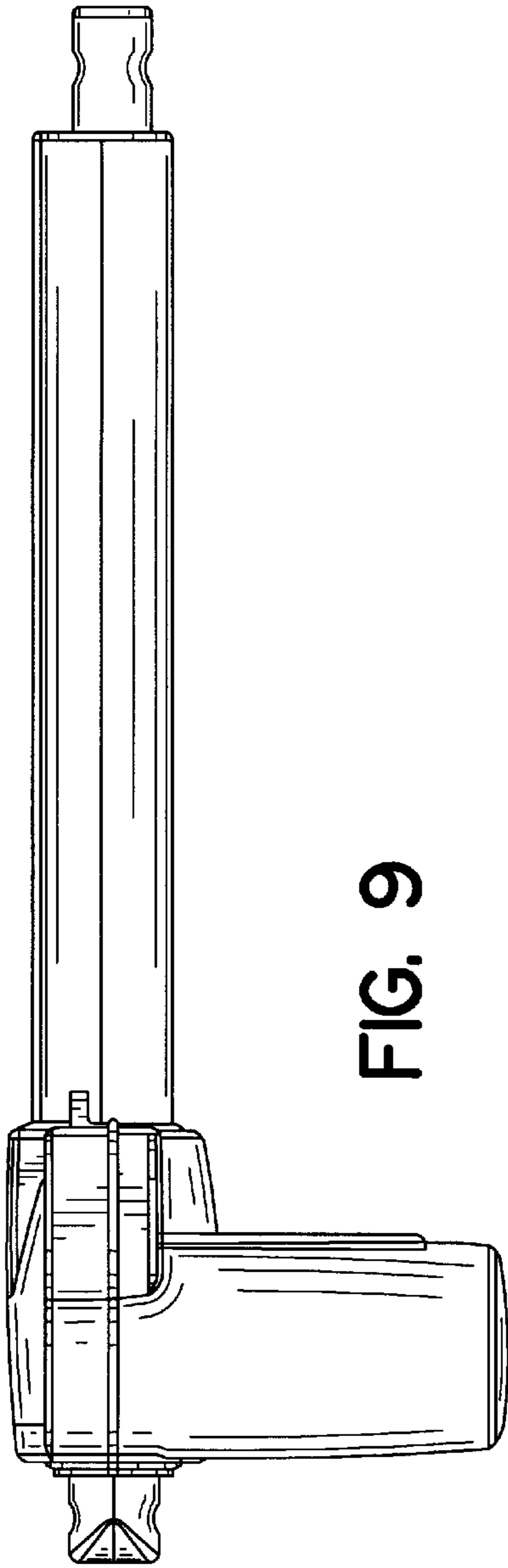


FIG. 9

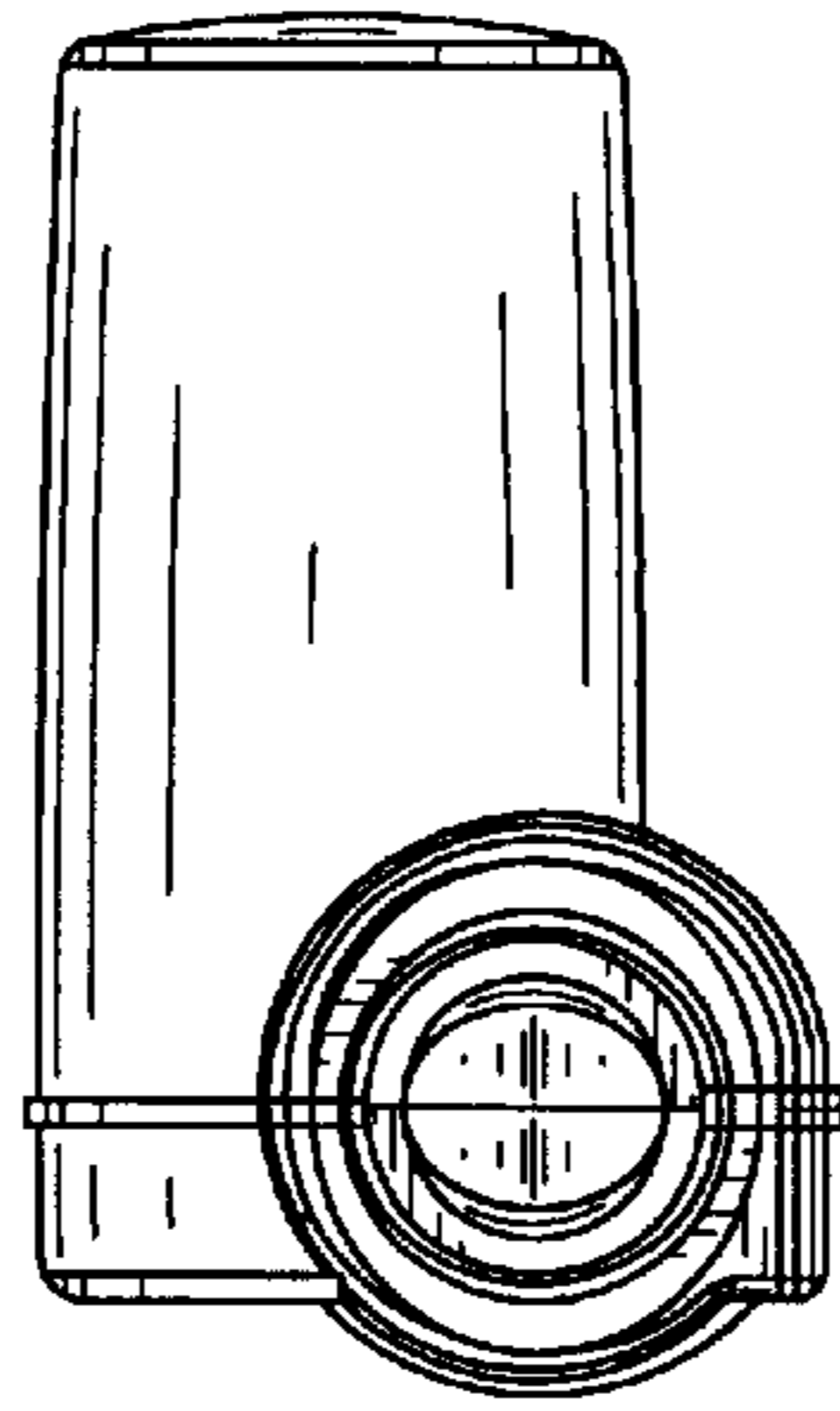


FIG. 10

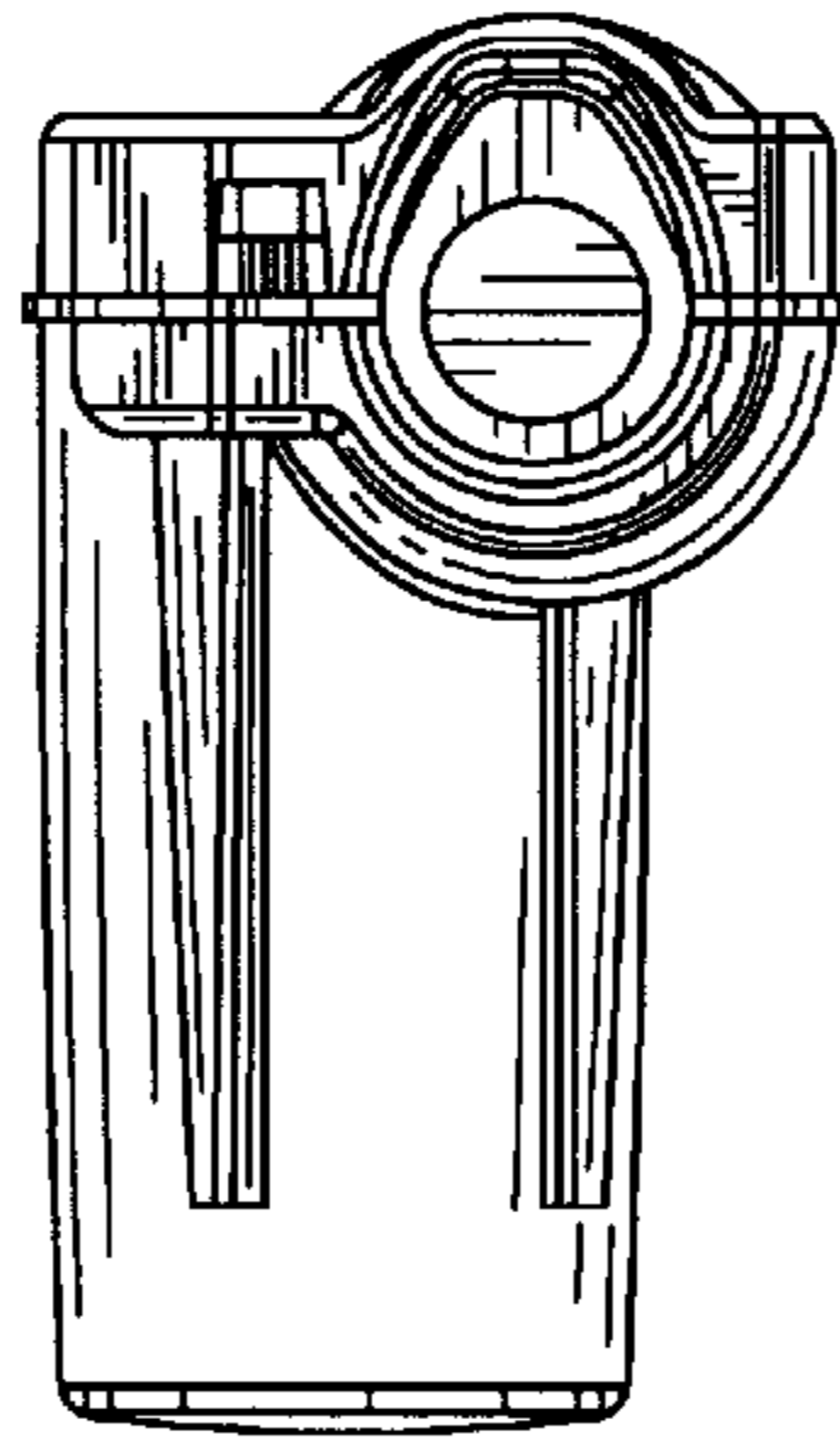


FIG. 11

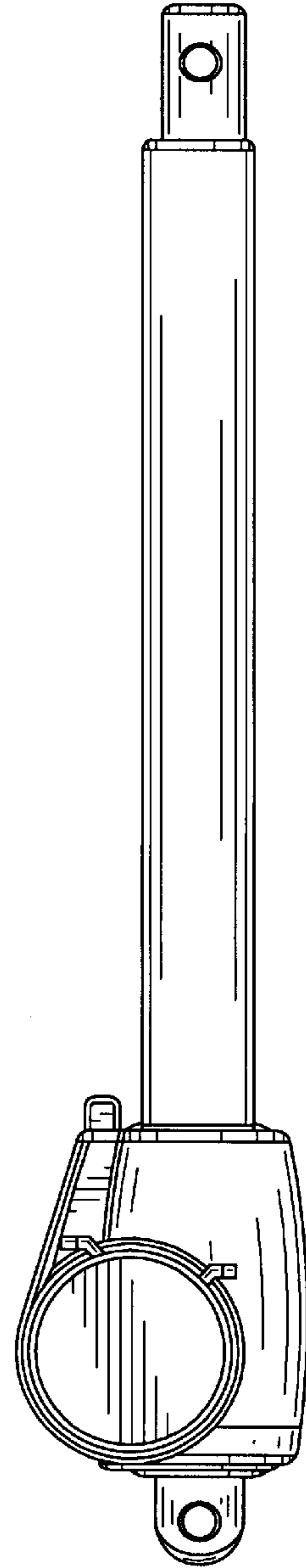


FIG. 12