



US00D458283S

(12) **United States Design Patent**
Stanley

(10) **Patent No.:** **US D458,283 S**

(45) **Date of Patent:** **** Jun. 4, 2002**

(54) **CIRCULAR SAW BLADE**

(76) Inventor: **Jere Stanley**, 380 Bruce La.,
Brownsville, TN (US) 38012

(**) Term: **14 Years**

(21) Appl. No.: **29/146,308**

(22) Filed: **Aug. 8, 2001**

(51) **LOC (7) Cl.** **15-09**

(52) **U.S. Cl.** **D15/139**

(58) **Field of Search** D8/70; D15/139;
30/347; 83/666, 853, 838; 144/223, 218,
373, 375, 238; 407/2, 55, 59, 61, 31; 409/132

(56) **References Cited**

U.S. PATENT DOCUMENTS

566,865 A	9/1896	Morrish
1,011,107 A	12/1911	Blood
1,549,036 A	8/1925	Westgard
1,733,657 A	10/1929	Ericson

2,645,010 A	7/1953	Holmes	
D197,500 S	*	2/1964	Roberts D15/139
3,171,457 A	3/1965	Brown	
3,228,438 A	*	1/1966	Berry 83/853
3,276,491 A	10/1966	Dunn et al.	
3,318,348 A	*	5/1967	Oehrli 144/238
4,907,920 A	*	3/1990	Lund et al. 83/853

* cited by examiner

Primary Examiner—Antoine Duval Davis

(74) *Attorney, Agent, or Firm*—Donald R. Schoonover

(57) **CLAIM**

The ornamental design for a circular saw blade, as shown and described.

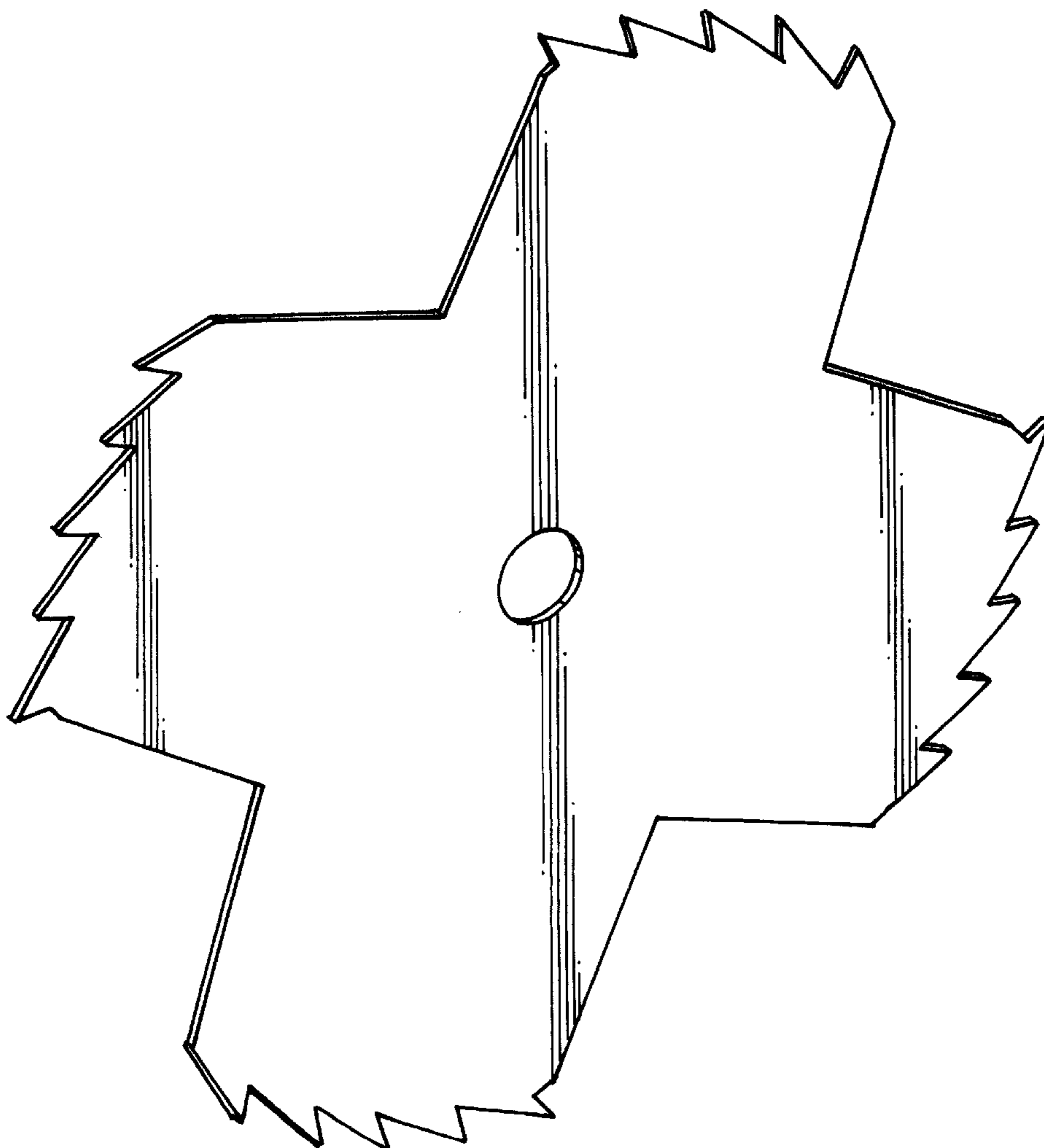
DESCRIPTION

FIG. 1 is a perspective view of the circular saw blade embodying the design of the present invention.

FIG. 2 is a front elevational view thereof; and,

FIG. 3 is a side elevational view thereof.

1 Claim, 2 Drawing Sheets



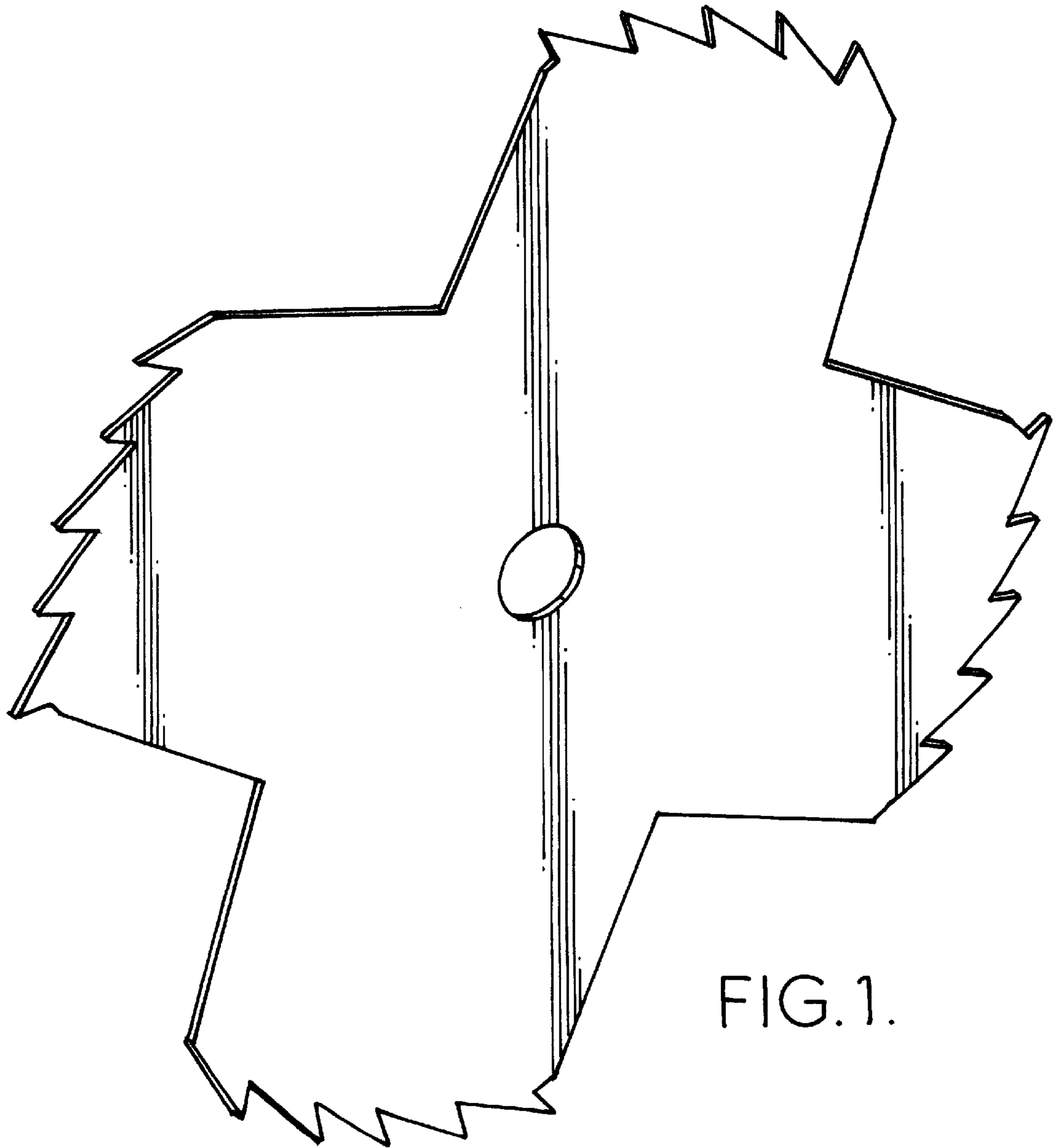




FIG. 3.

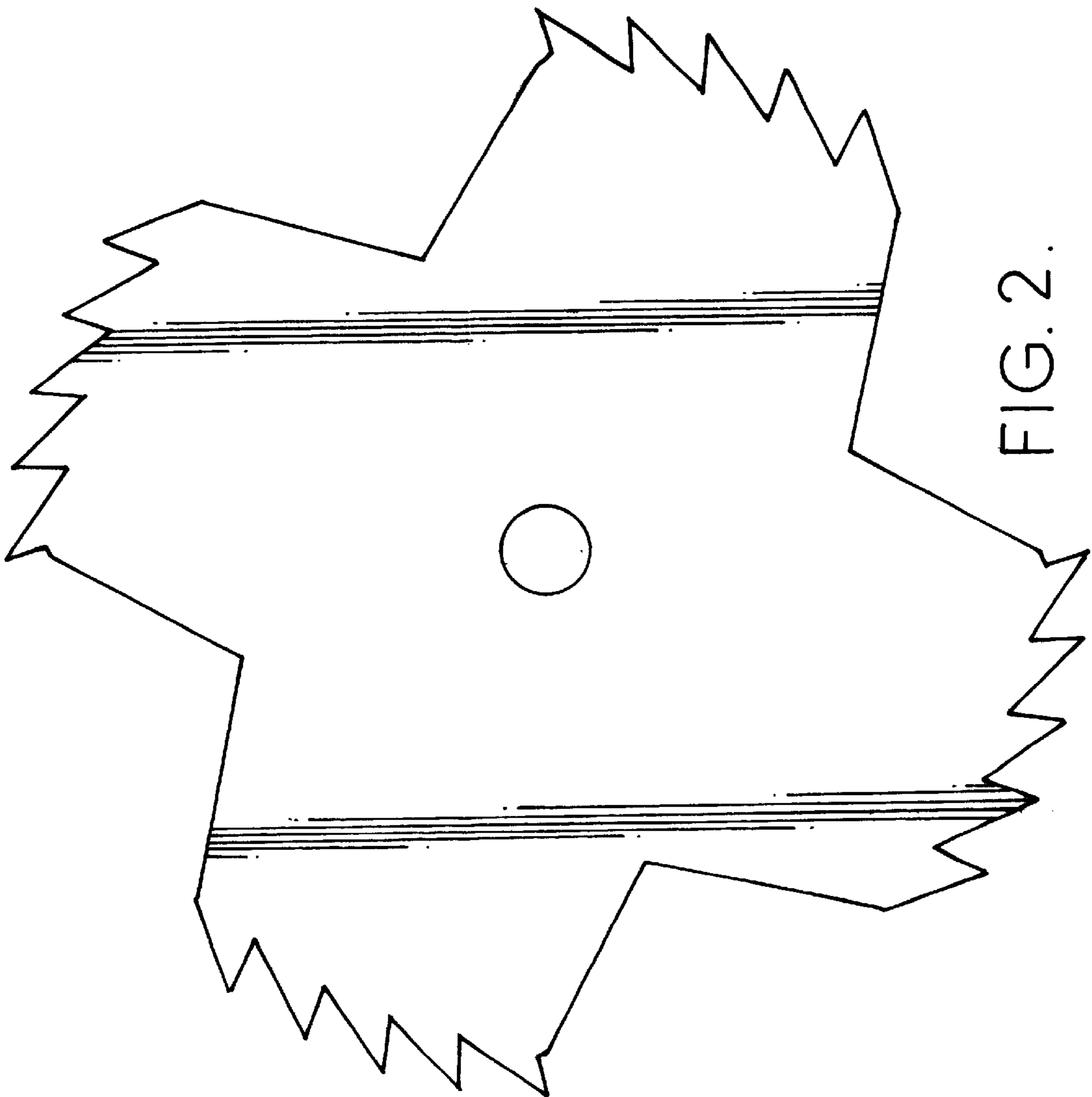


FIG. 2.