



US00D458282S

(12) **United States Design Patent**
Greenland

(10) **Patent No.:** **US D458,282 S**

(45) **Date of Patent:** **** Jun. 4, 2002**

(54) **ABOUT VERTICALLY ORIENTATED SAW**

6,080,041 A 6/2000 Greenland 451/11
6,119,676 A 9/2000 Greenland 125/35

(76) Inventor: **Darrell Greenland**, 934-4th St., #21,
Santa Monica, CA (US) 90403

FOREIGN PATENT DOCUMENTS

(**) Term: **14 Years**

WO WO 99/47324 9/1999

* cited by examiner

(21) Appl. No.: **29/147,063**

Primary Examiner—Antoine Duval Davis

(22) Filed: **Aug. 21, 2001**

(74) *Attorney, Agent, or Firm*—Cislo & Thomas LLP

(51) **LOC (7) Cl.** **15-09**

(57) **CLAIM**

(52) **U.S. Cl.** **D15/133**

The ornamental design for an about vertically orientated saw, as shown and described.

(58) **Field of Search** D15/133; 83/100,
83/168, 471.3, 471.2, 471.1, 477.1, 488

DESCRIPTION

(56) **References Cited**

FIG. 1. Is a front perspective view of my about vertically orientated saw;

U.S. PATENT DOCUMENTS

FIG. 2. Is a rear perspective view thereof;

3,122,183 A	2/1964	Striebig	
3,722,497 A	3/1973	Hiestand et al.	
3,763,845 A	10/1973	Hiestand et al.	
4,150,597 A *	4/1979	Striebig	83/471.3
4,183,272 A *	1/1980	Striebig	83/471.3
4,802,392 A *	2/1989	Striebig	83/471.2
5,148,732 A	9/1992	Striebig	83/863
D404,405 S *	1/1999	Hammett et al.	D15/133
6,058,819 A *	5/2000	Binder et al.	83/471.3 X

FIG. 3. Is a front view thereof;

FIG. 4. Is a right side elevational view thereof;

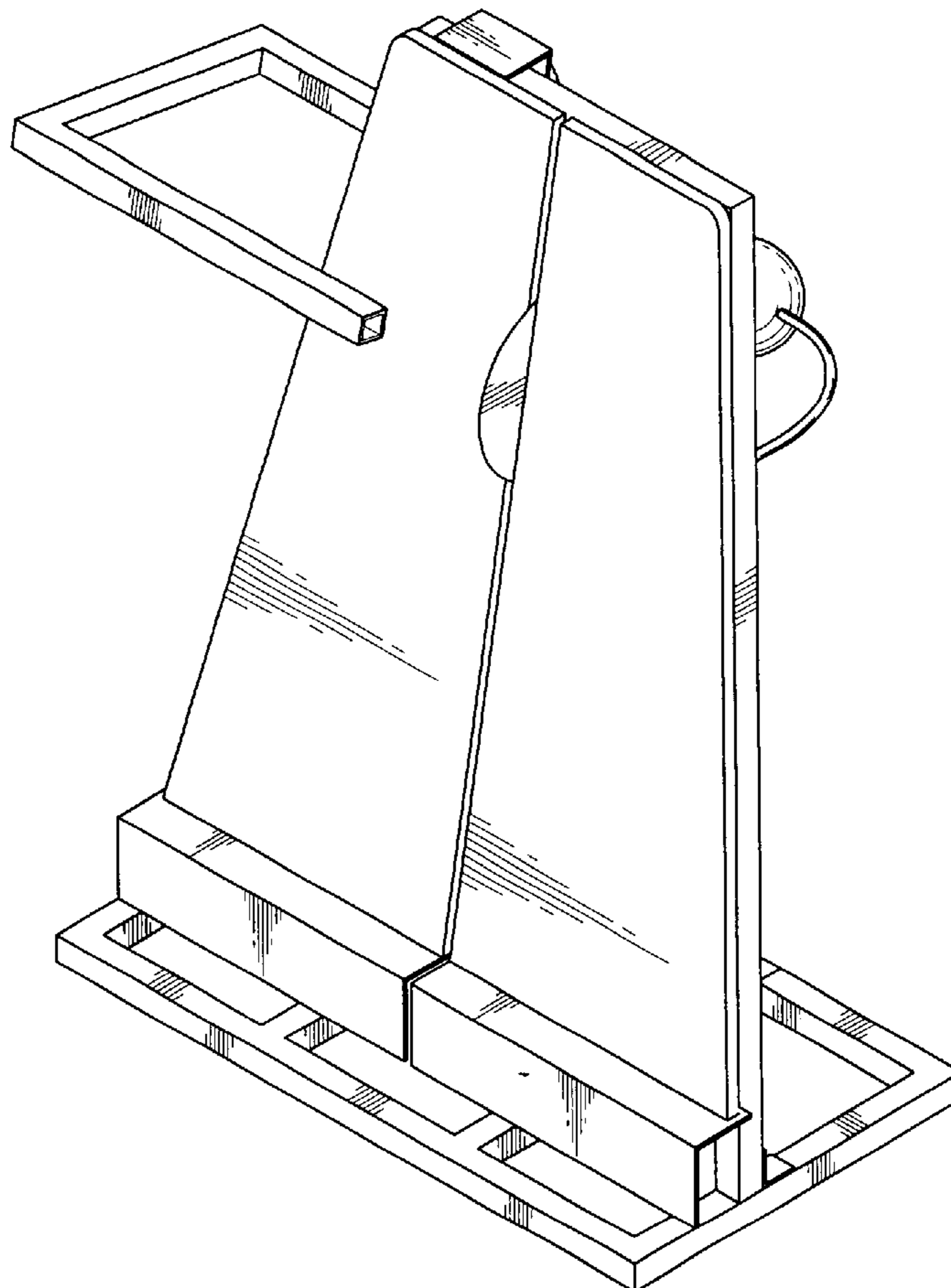
FIG. 5. Is a top view thereof;

FIG. 6. Is a rear view thereof;

FIG. 7. Is a left side elevational view thereof; and,

FIG. 8. Is bottom view thereof.

1 Claim, 3 Drawing Sheets



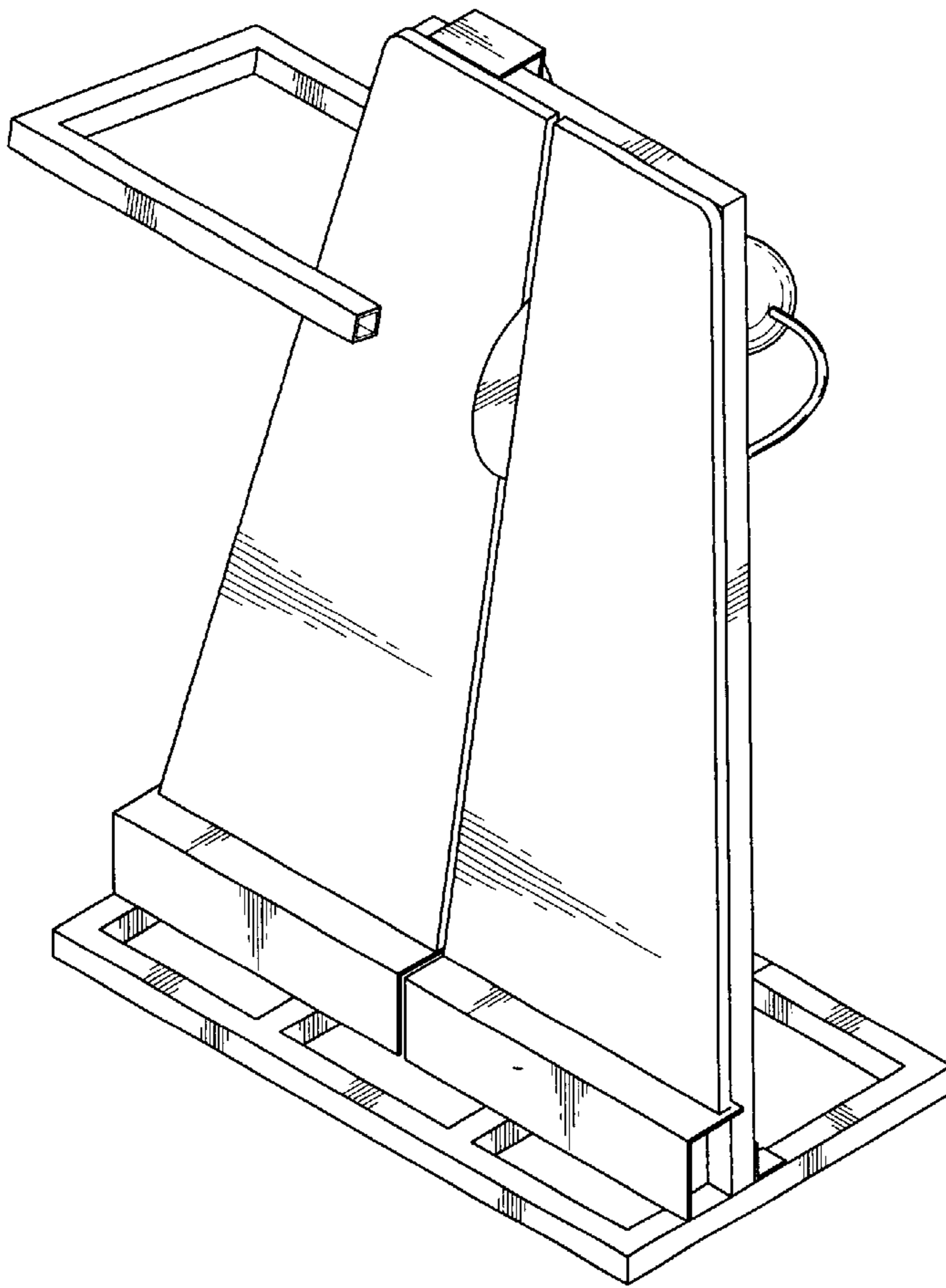
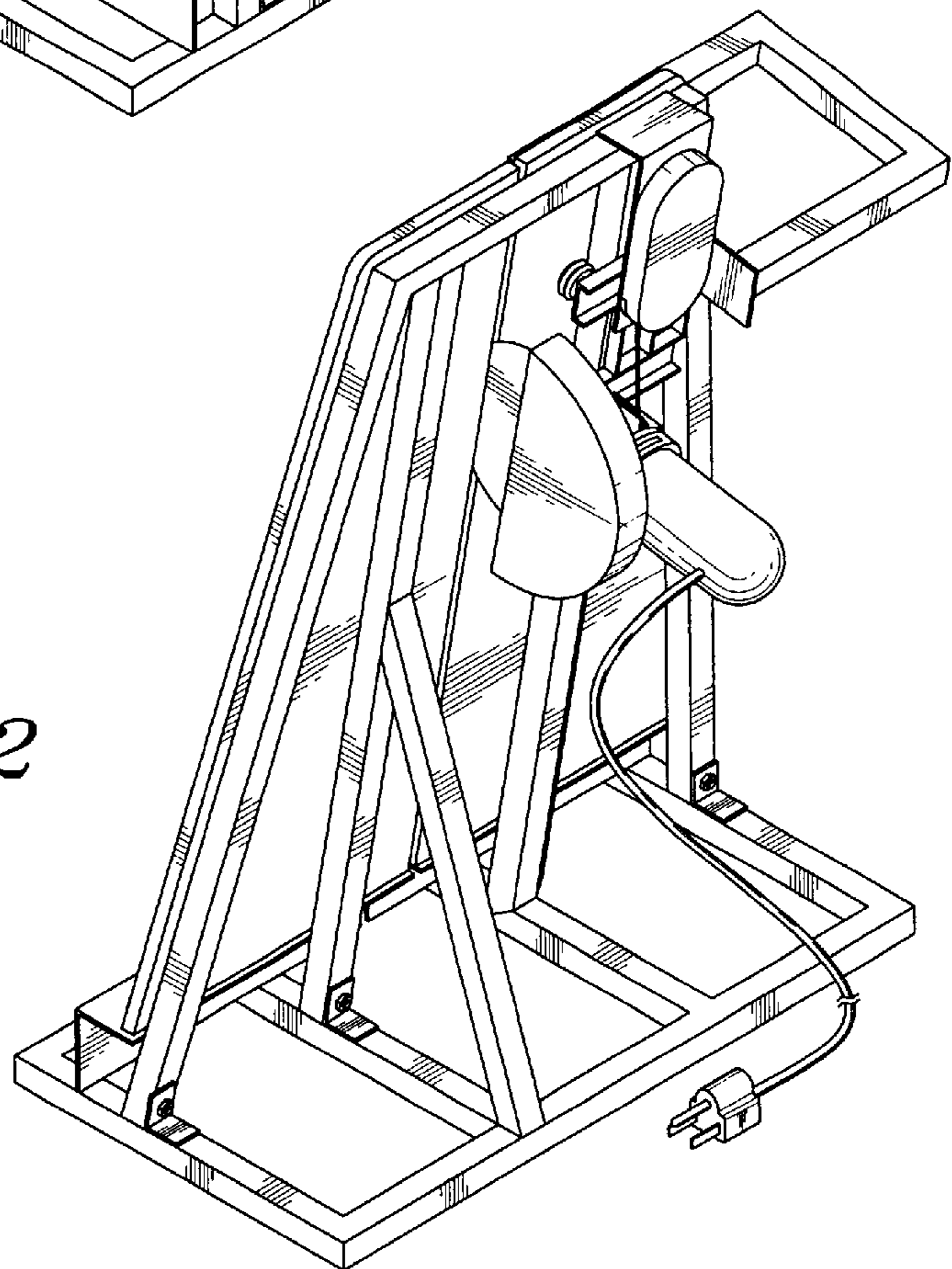


FIG. 1

FIG. 2



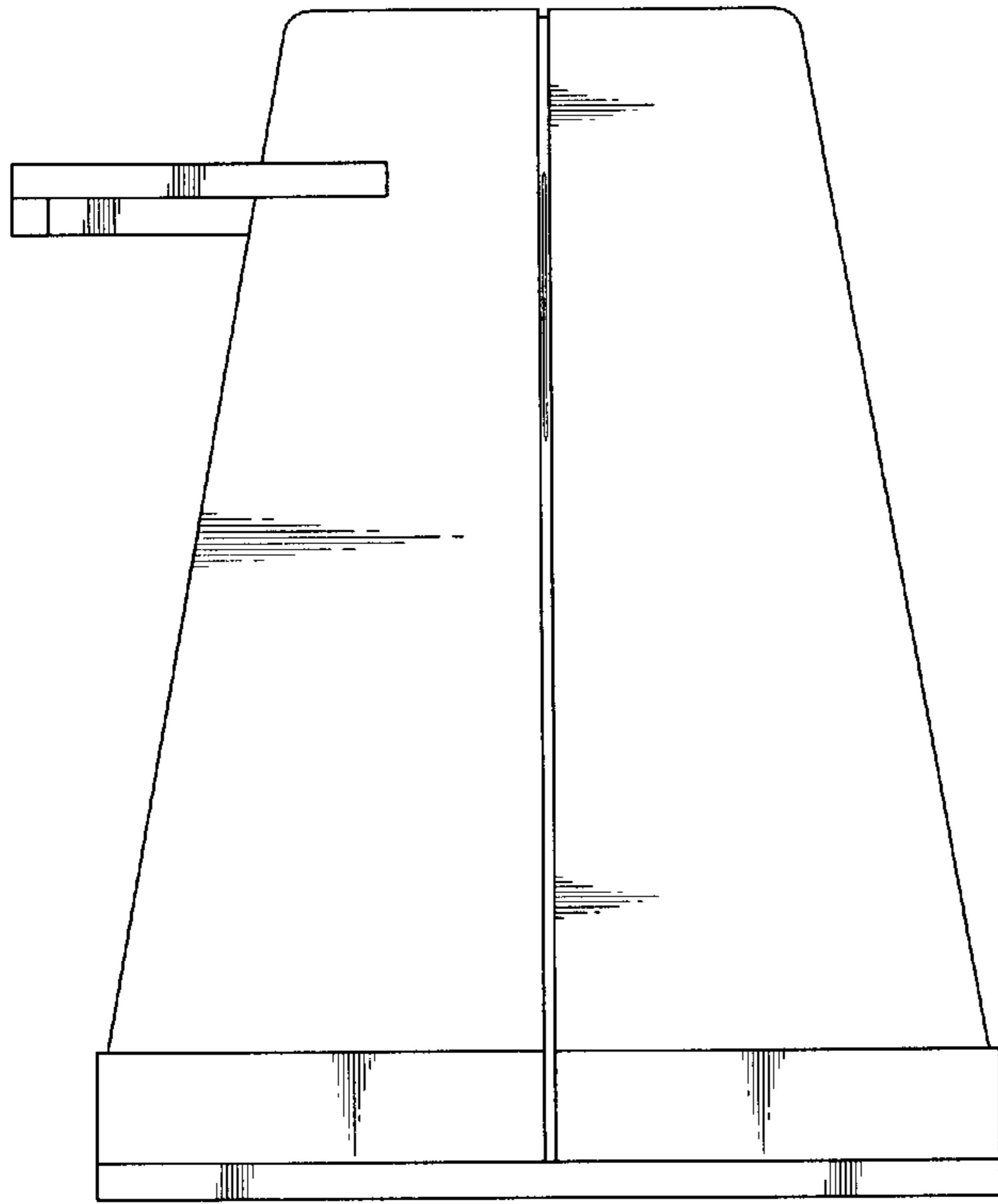


FIG. 3

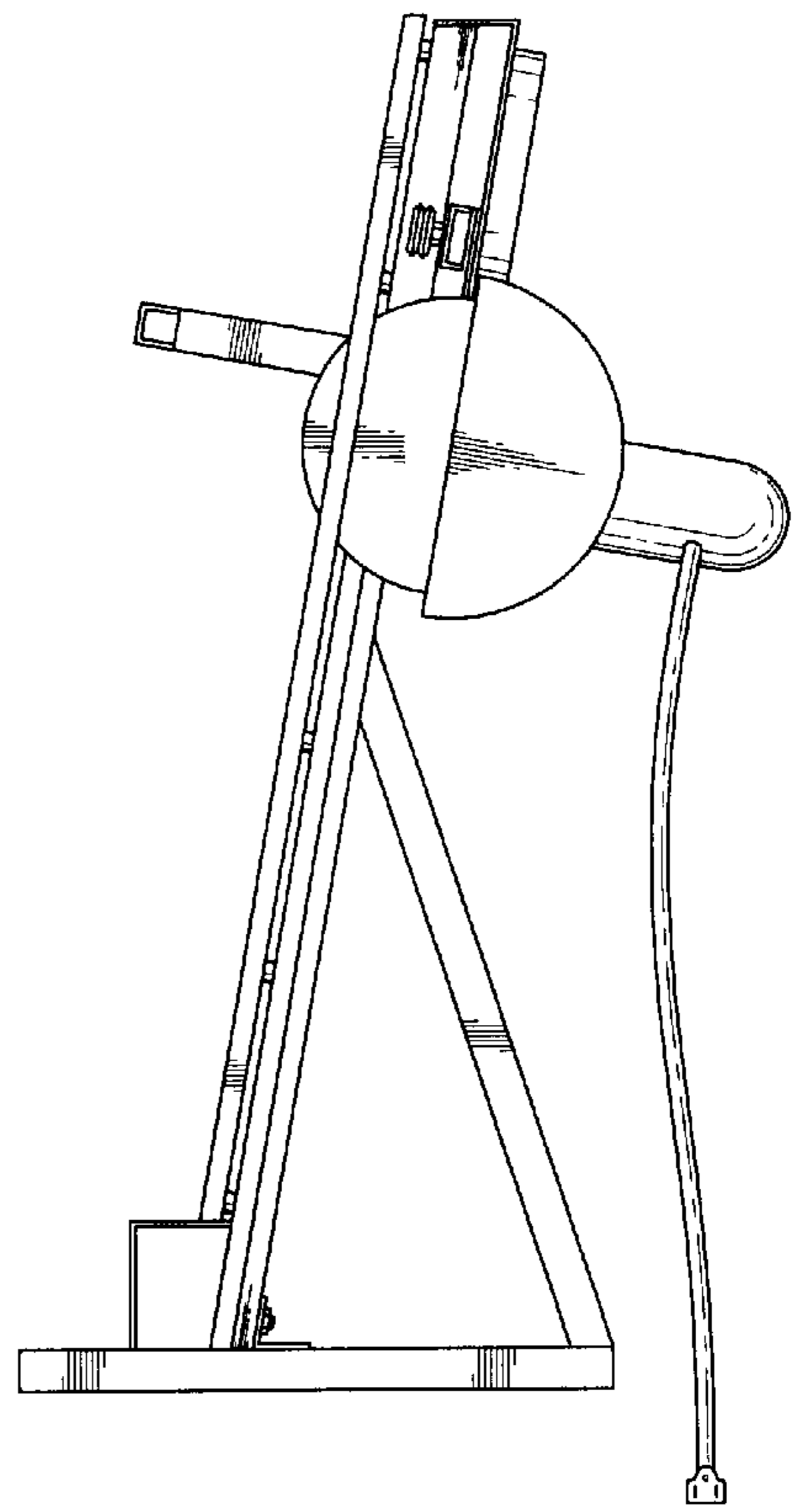


FIG. 4

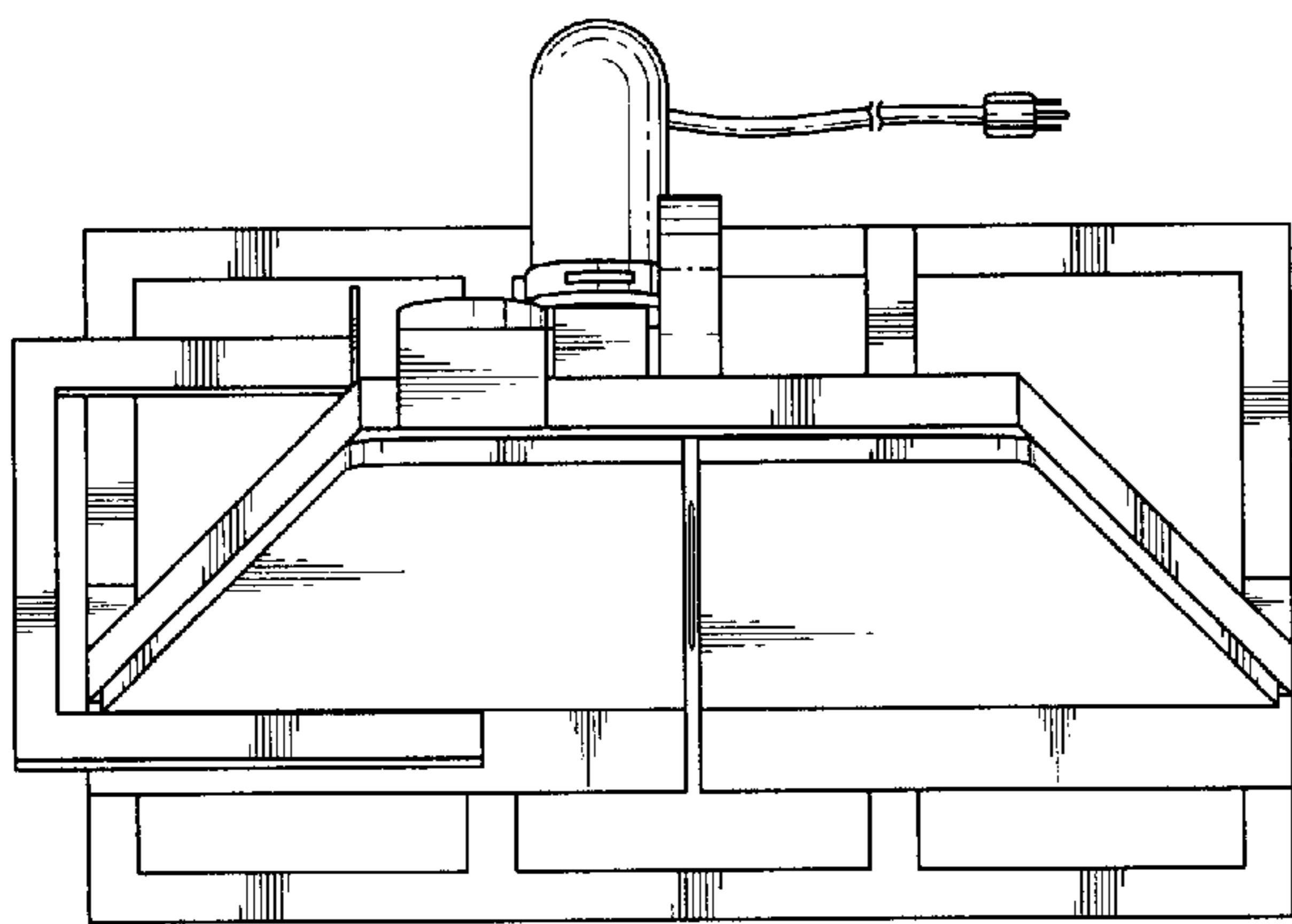


FIG. 5

FIG. 6

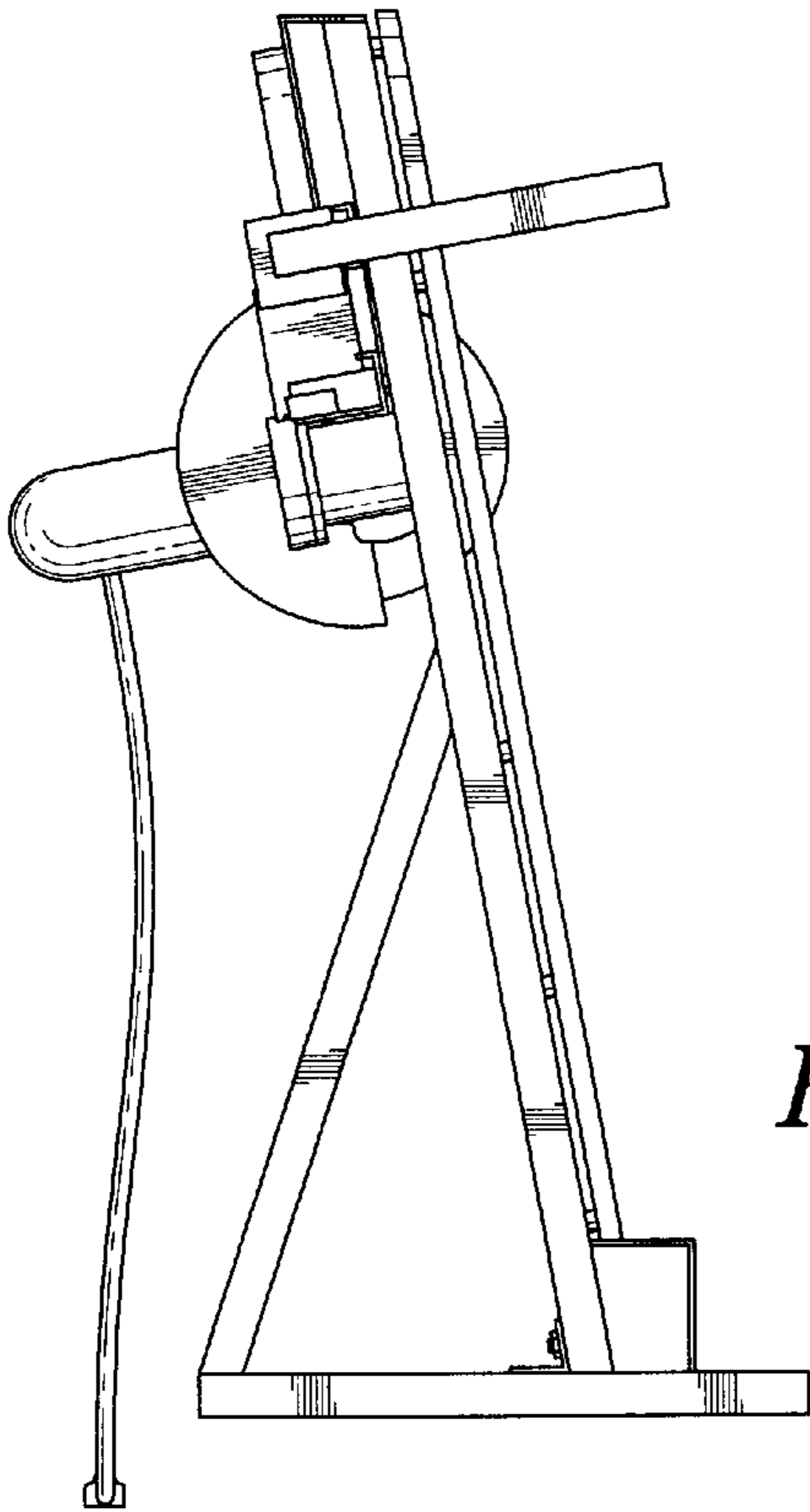
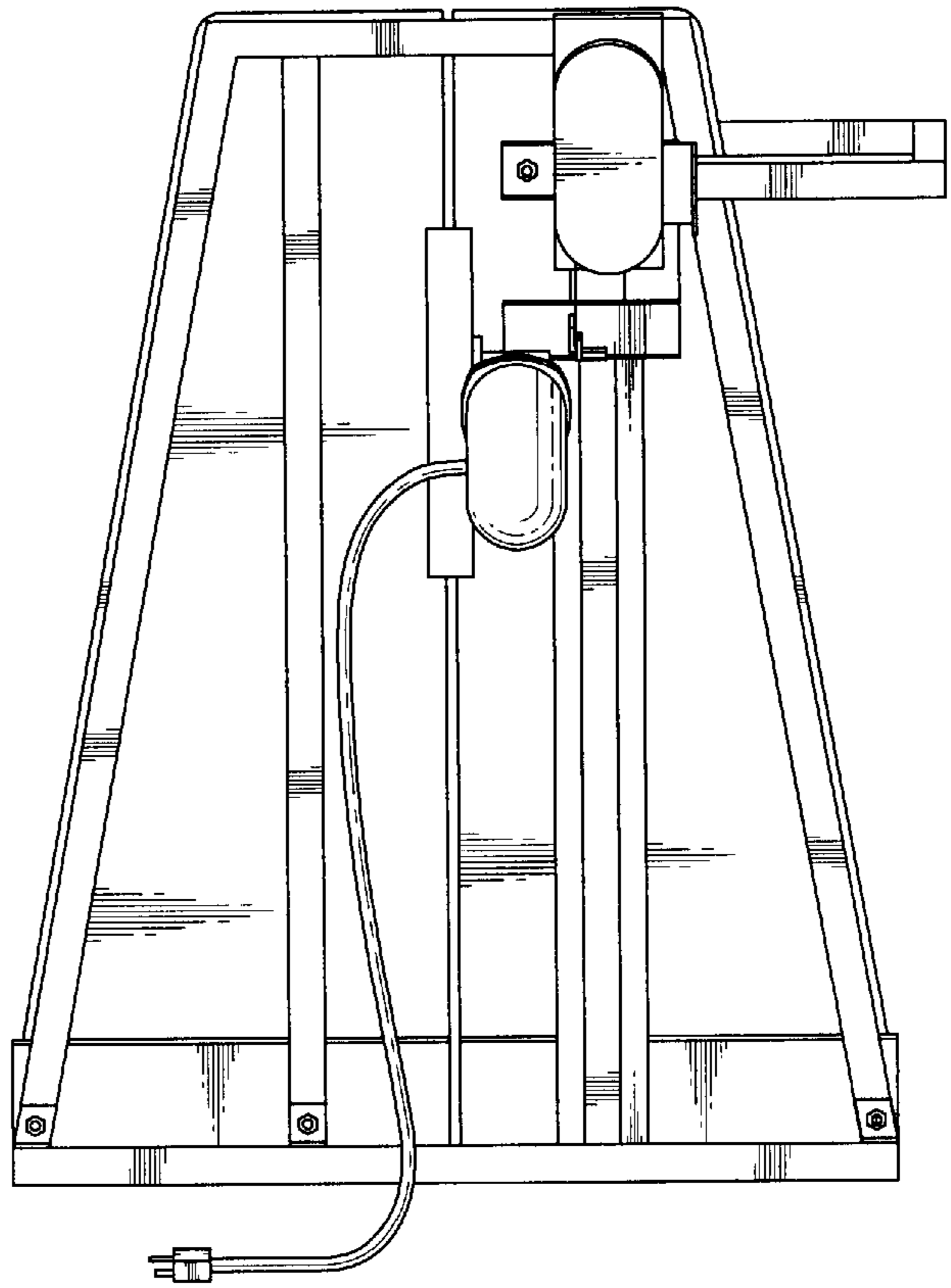


FIG. 7

FIG. 8

