



US00D458281S

(12) **United States Design Patent**  
**Ceroll et al.**

(10) **Patent No.:** **US D458,281 S**  
(45) **Date of Patent:** **\*\* Jun. 4, 2002**

(54) **TABLE SAW WITH TELESCOPING FENCE ASSEMBLY**

(75) Inventors: **Warren A. Ceroll**, Owings Mills; **Robert S. Gehret**, Hampstead; **Daniel Puzio**, Baltimore; **Frederick R. Bean**, Finksburg; **Michael L. O'Banion**, Westminster, all of MD (US); **David A. Porter**, Hanover, PA (US); **Daniel A. Ferrara, Jr.**, Bantam, CT (US)

(73) Assignee: **Black & Decker Inc.**, Newark, DE (US)

(\*\*) Term: **14 Years**

(21) Appl. No.: **29/140,610**

(22) Filed: **Apr. 20, 2001**

**Related U.S. Application Data**

(63) Continuation of application No. 29/126,986, filed on Jul. 27, 2000, which is a continuation of application No. 29/118,568, filed on Feb. 9, 2000, which is a continuation of application No. 29/105,292, filed on May 21, 1999, now Pat. No. Des. 425,918, which is a continuation of application No. 29/096,838, filed on Nov. 20, 1998, now Pat. No. Des. 414,786, which is a continuation of application No. 29/090,751, filed on Jul. 15, 1998, now Pat. No. Des. 407,725, which is a continuation of application No. 29/083,053, filed on Jan. 20, 1998, now Pat. No. Des. 410,474, which is a continuation of application No. 29/070,477, filed on May 8, 1997, now Pat. No. Des. 395,322, which is a continuation of application No. 29/057,853, filed on Aug. 1, 1996, now Pat. No. Des. 394,071, which is a continuation of application No. 29/051,851, filed on Mar. 1, 1996, now abandoned.

(51) **LOC (7) Cl.** ..... **15-09**

(52) **U.S. Cl.** ..... **D15/133**

(58) **Field of Search** ..... D15/133; 83/432, 83/435, 468.7, 468.3, 477, 477.2, 478, 522.3, 522.1; 269/318, 165, 180; 125/13.01; 451/344, 450

(56) **References Cited**

**U.S. PATENT DOCUMENTS**

D394,071 S \* 5/1998 Ceroll et al. .... D15/133

\* cited by examiner

*Primary Examiner*—Antoine Duval Davis  
(74) *Attorney, Agent, or Firm*—Adan Ayala

(57) **CLAIM**

The ornamental design for a table saw with telescoping fence assembly, as shown and described.

**DESCRIPTION**

FIG. 1 is a front elevational view of a first embodiment of a table saw with telescoping fence assembly showing our new design.

FIG. 2 is a right side elevational of the first embodiment.

FIG. 3 is a rear elevational of the first embodiment.

FIG. 4 is a left side elevational of the first embodiment.

FIG. 5 is a front perspective view from the left side of the first embodiment.

FIG. 6 is a rear perspective view from the right side of the first embodiment.

FIG. 7 is a top plan view of the first embodiment.

FIG. 8 is a top plan view of the first embodiment with the telescoping fence assembly rails extended.

FIG. 9 is a right side elevational of a second embodiment of a table saw showing our new design with a fence disposed on the telescoping fence assembly rails.

FIG. 10 is a front perspective from the left side of the second embodiment.

FIG. 11 is a top plan view of the second embodiment; and, FIG. 12 is a left side elevational of a third embodiment of a table saw showing our new design with a miter gauge inserted in a holder.

In the above drawings, any broken line illustration is not part of the design sought to be patented.

**1 Claim, 12 Drawing Sheets**

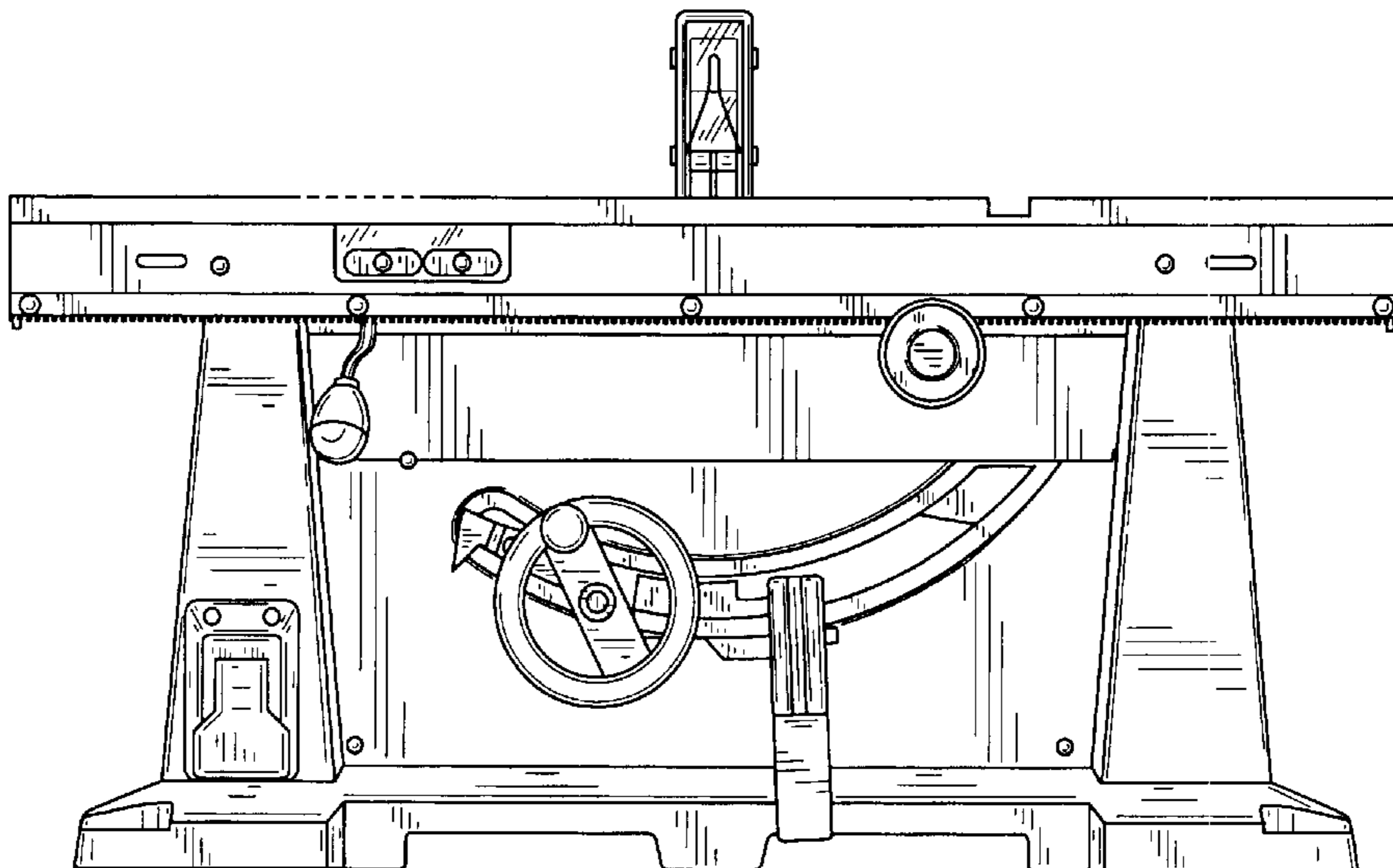


FIG. 1

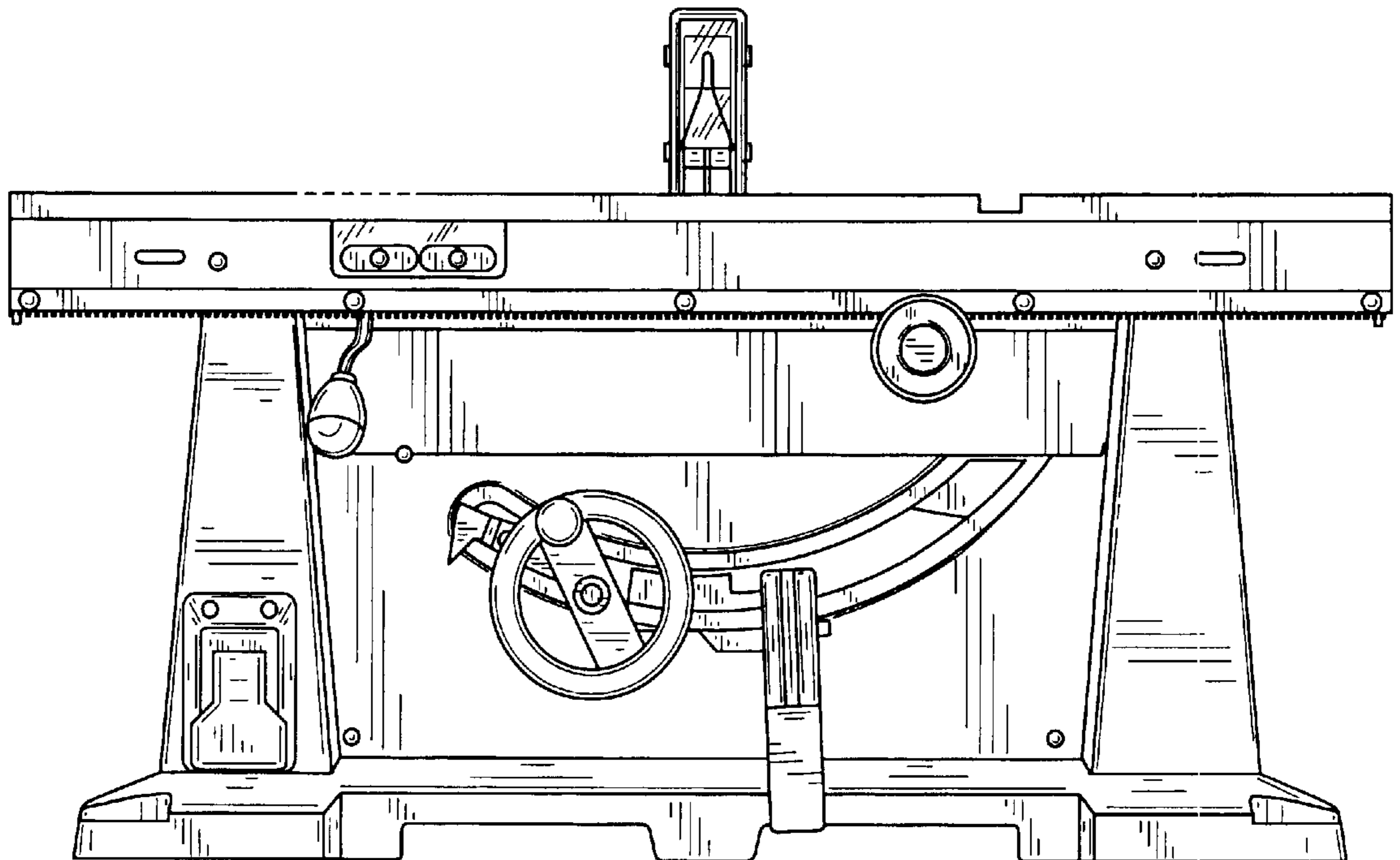


FIG. 2

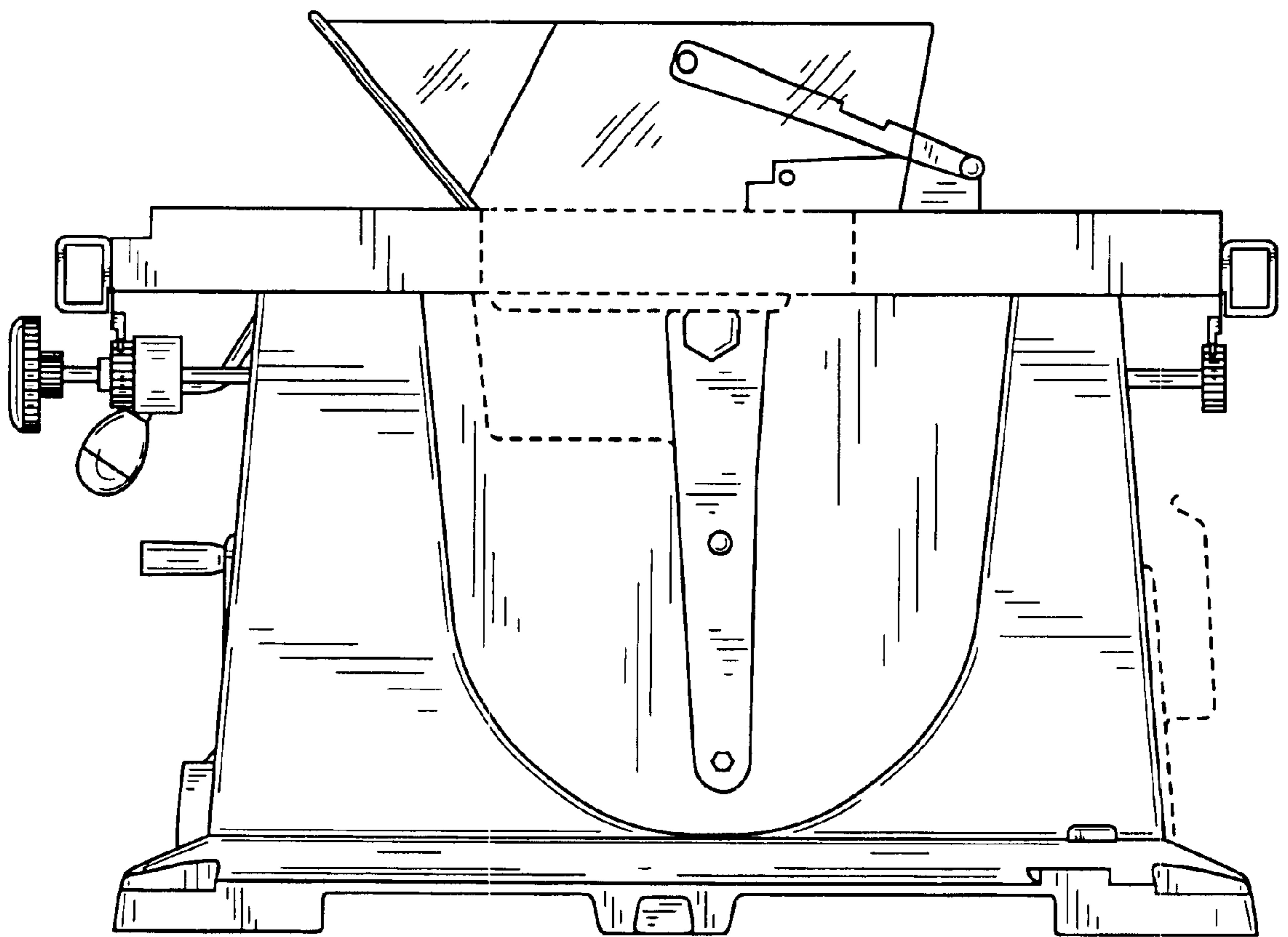


FIG. 3

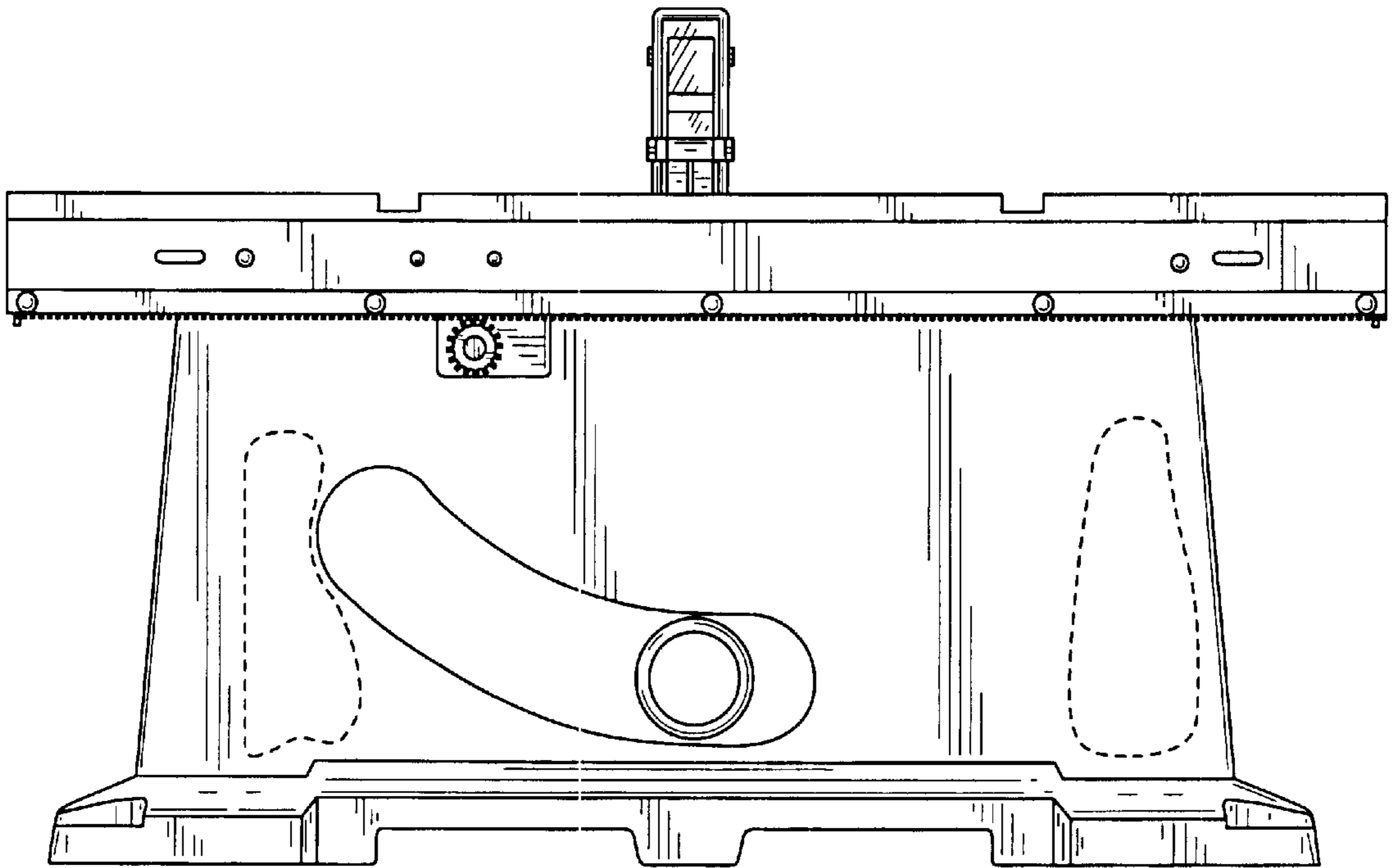


FIG. 4

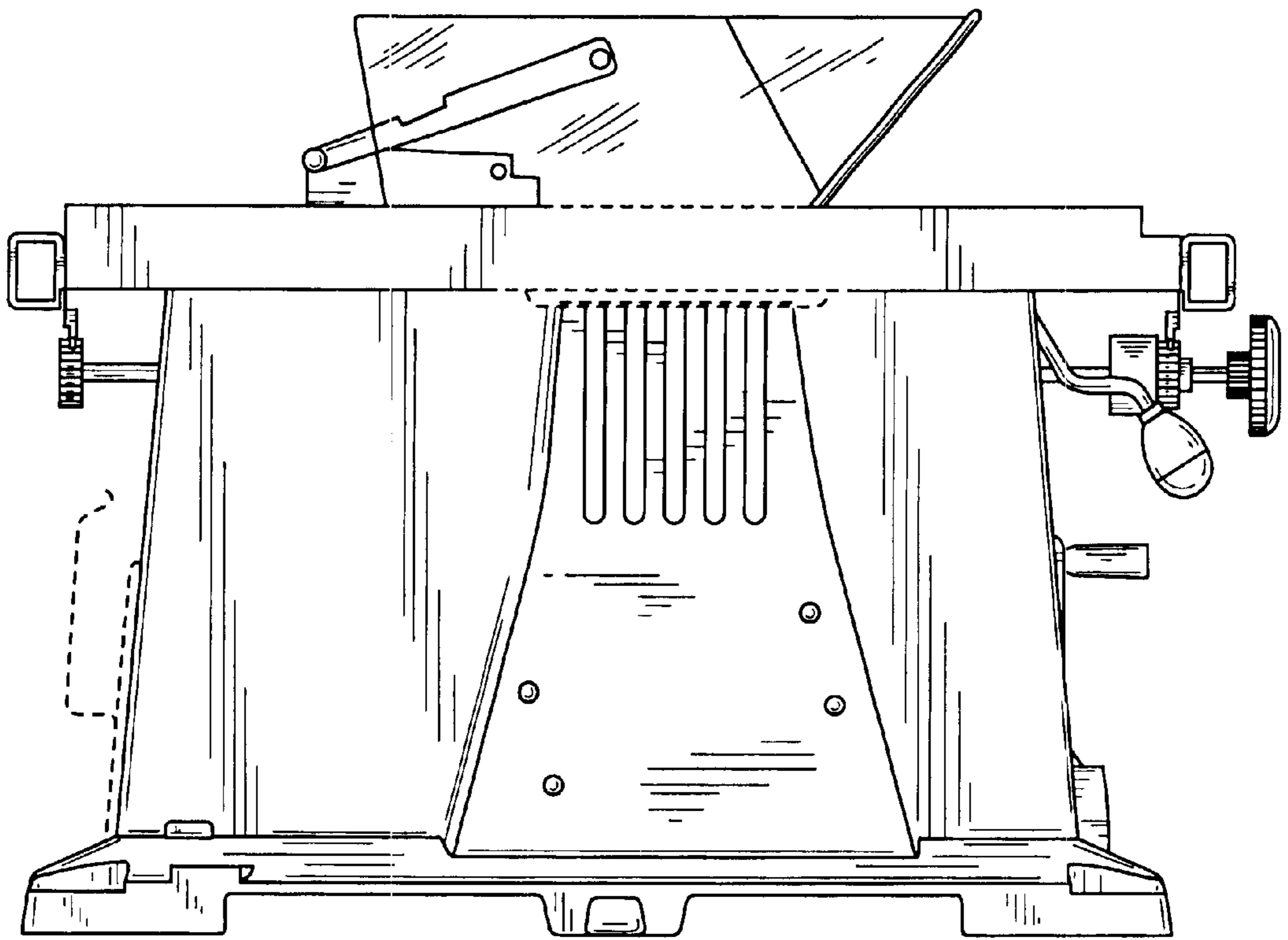


FIG. 5

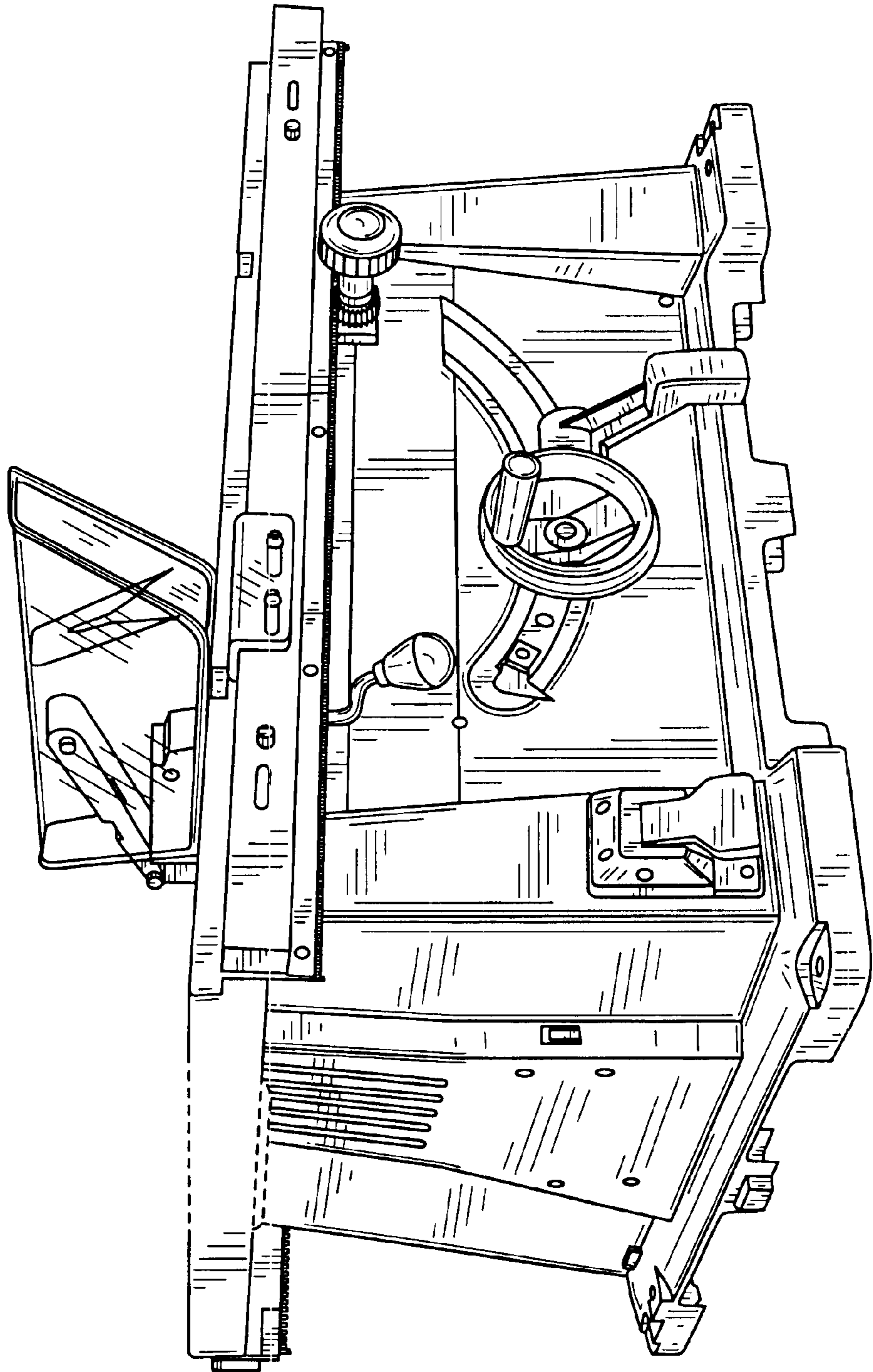


FIG. 6

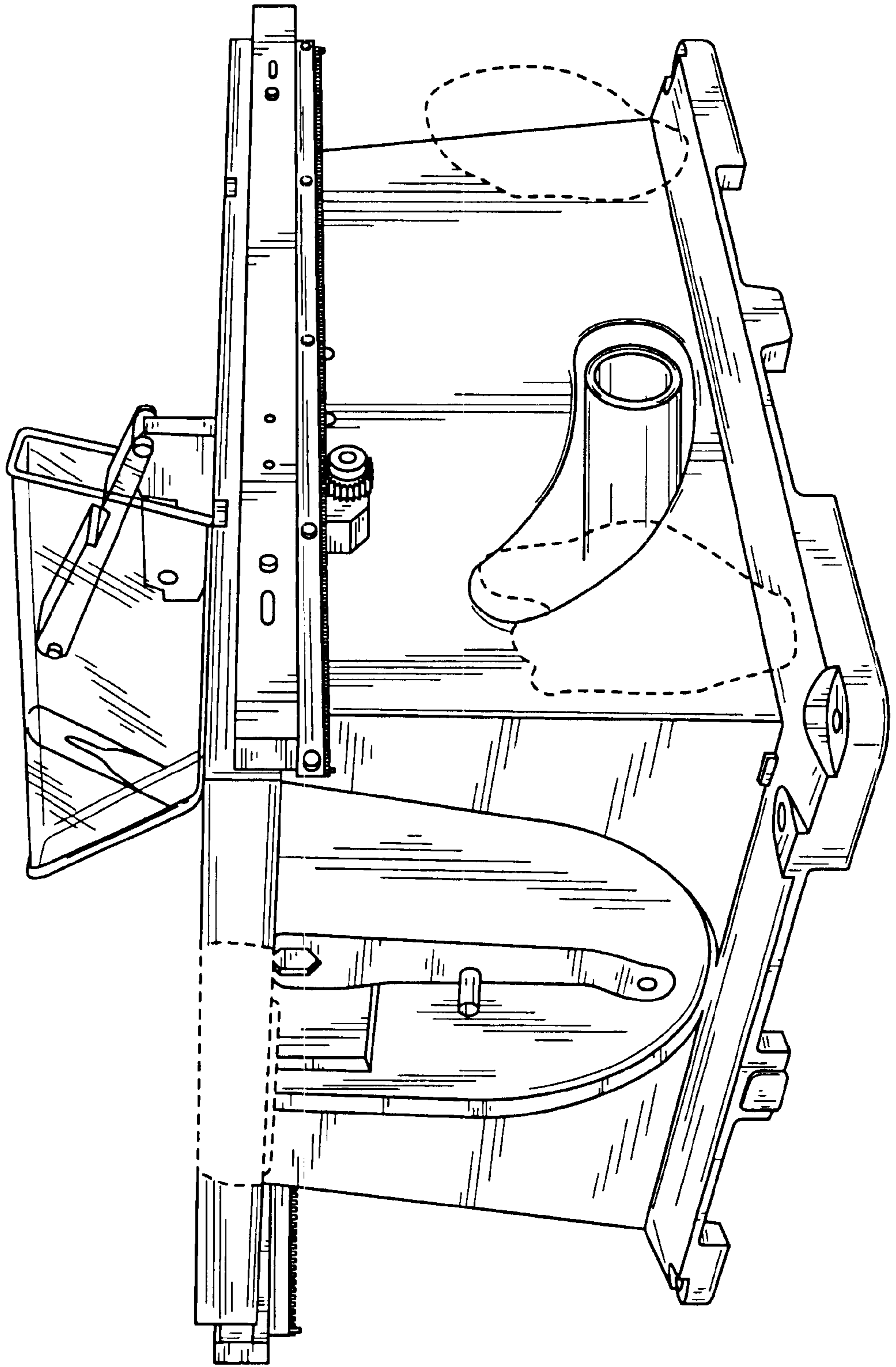


FIG. 7

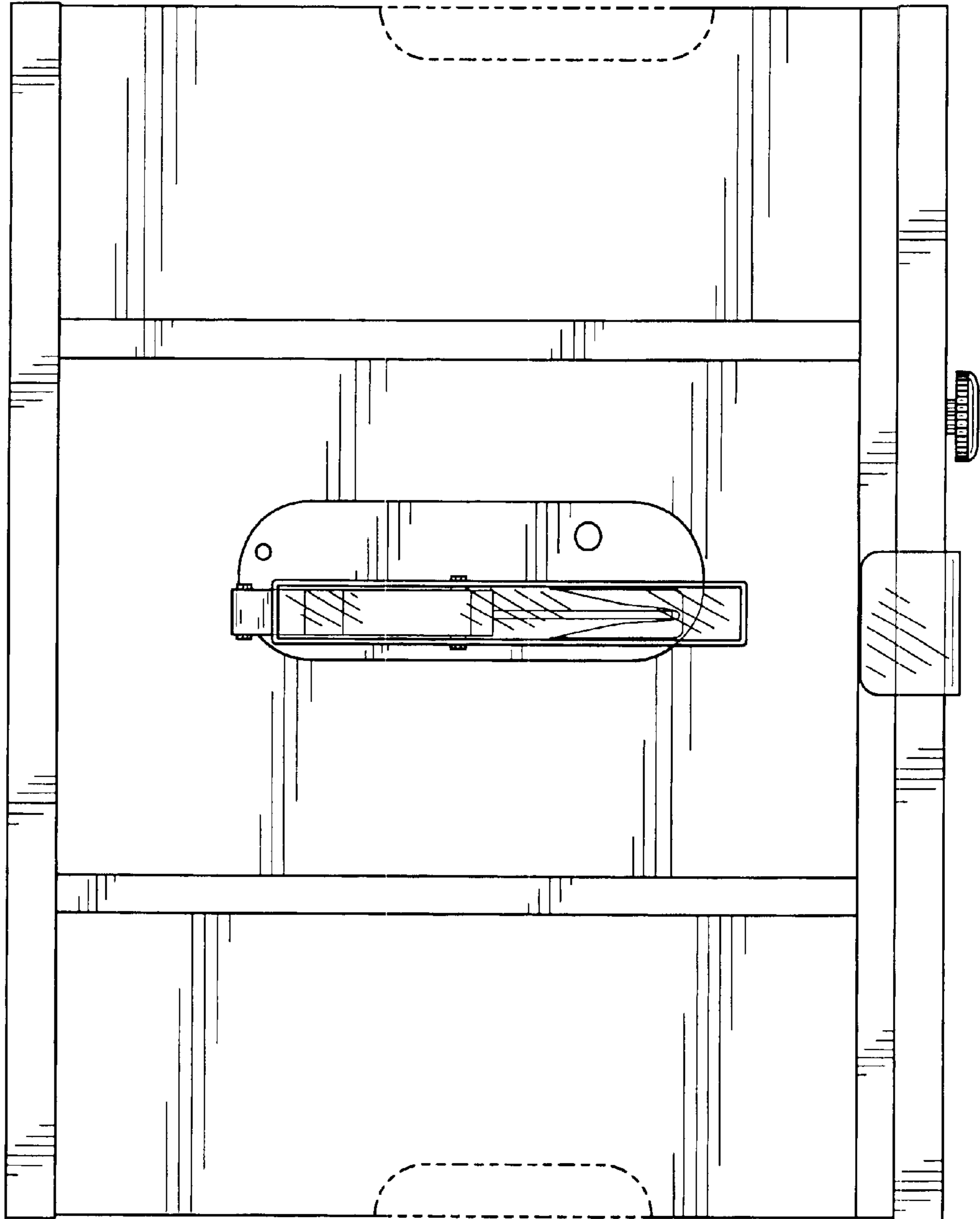




FIG. 8

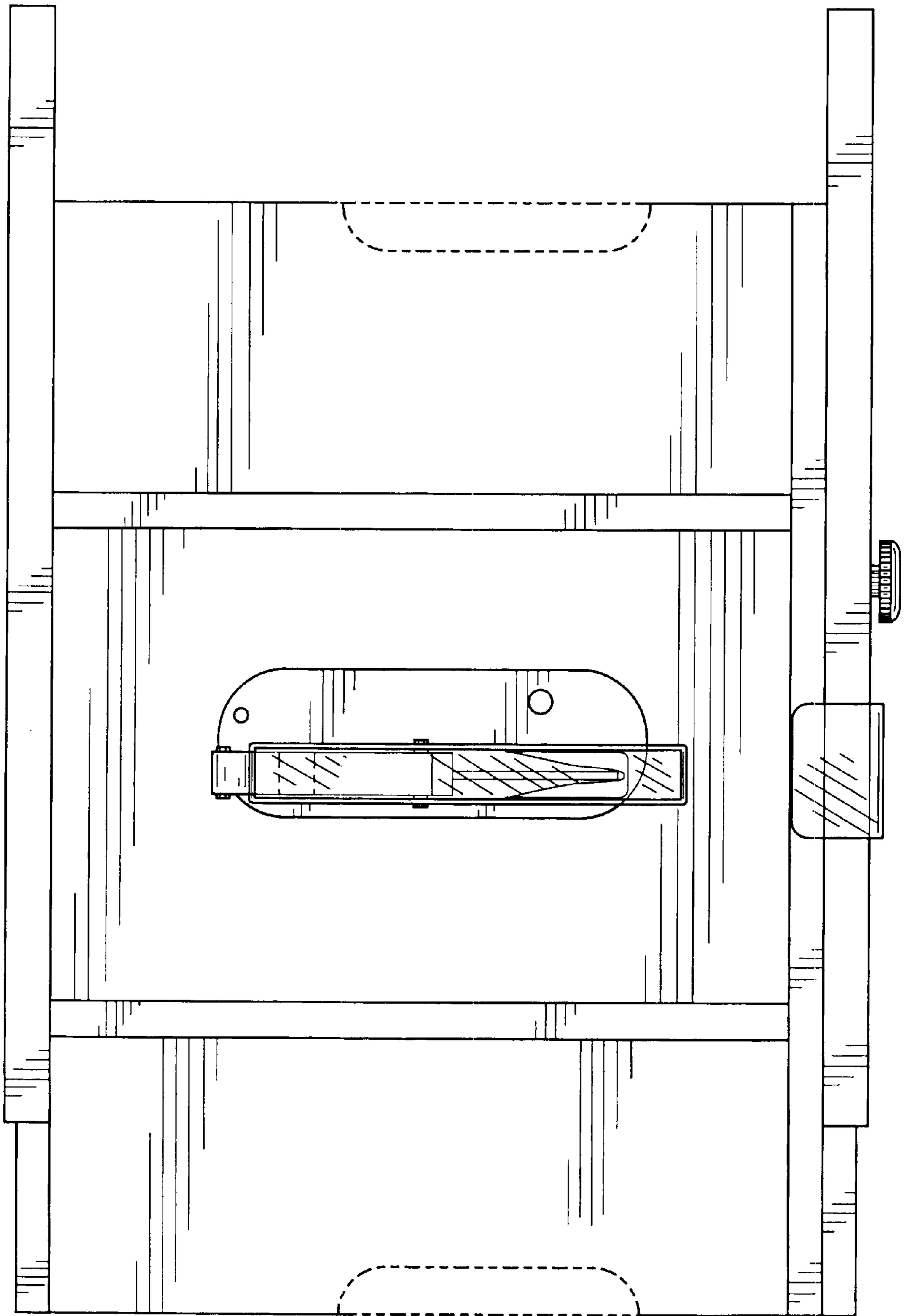


FIG. 9

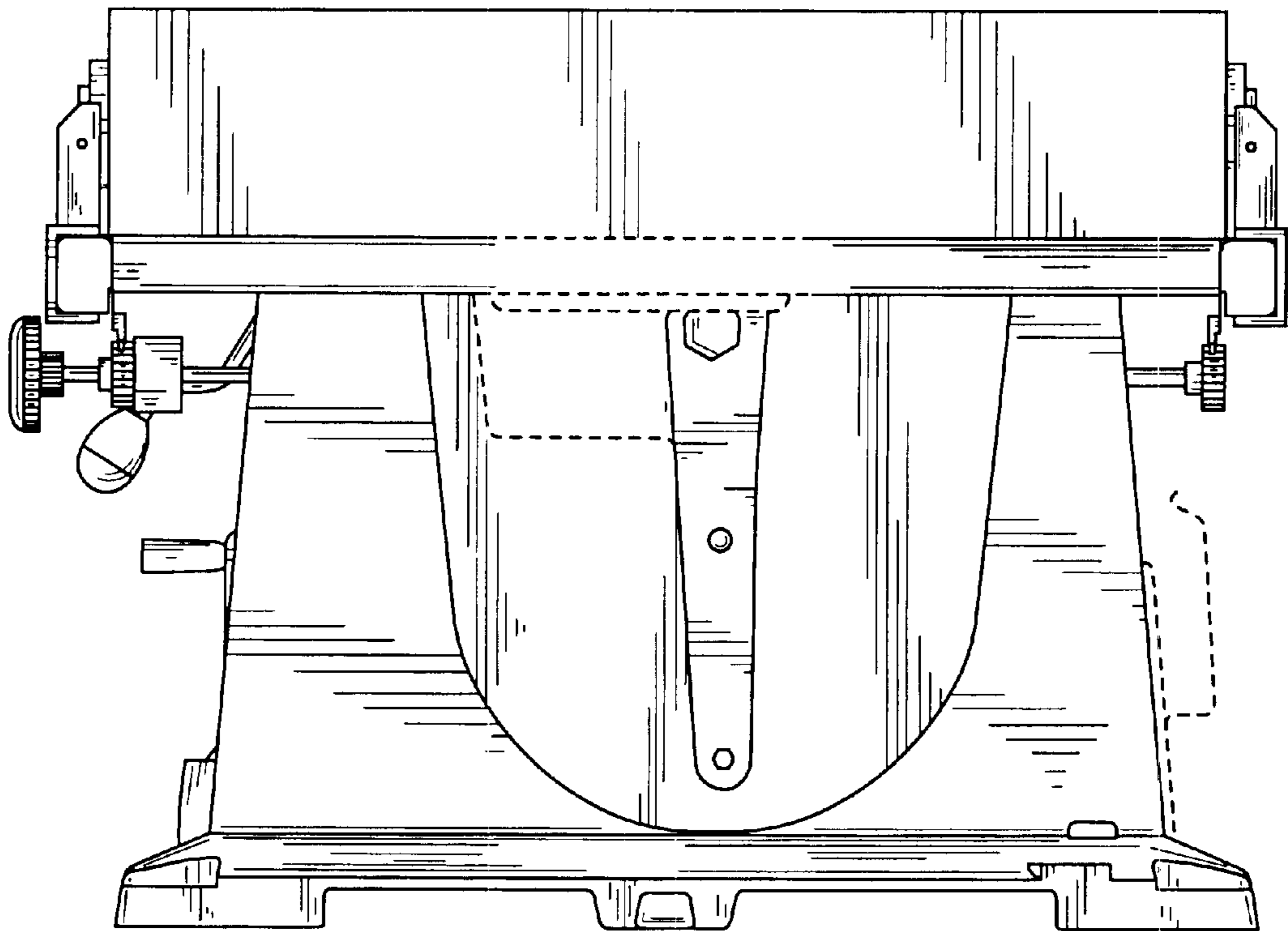


FIG. 10

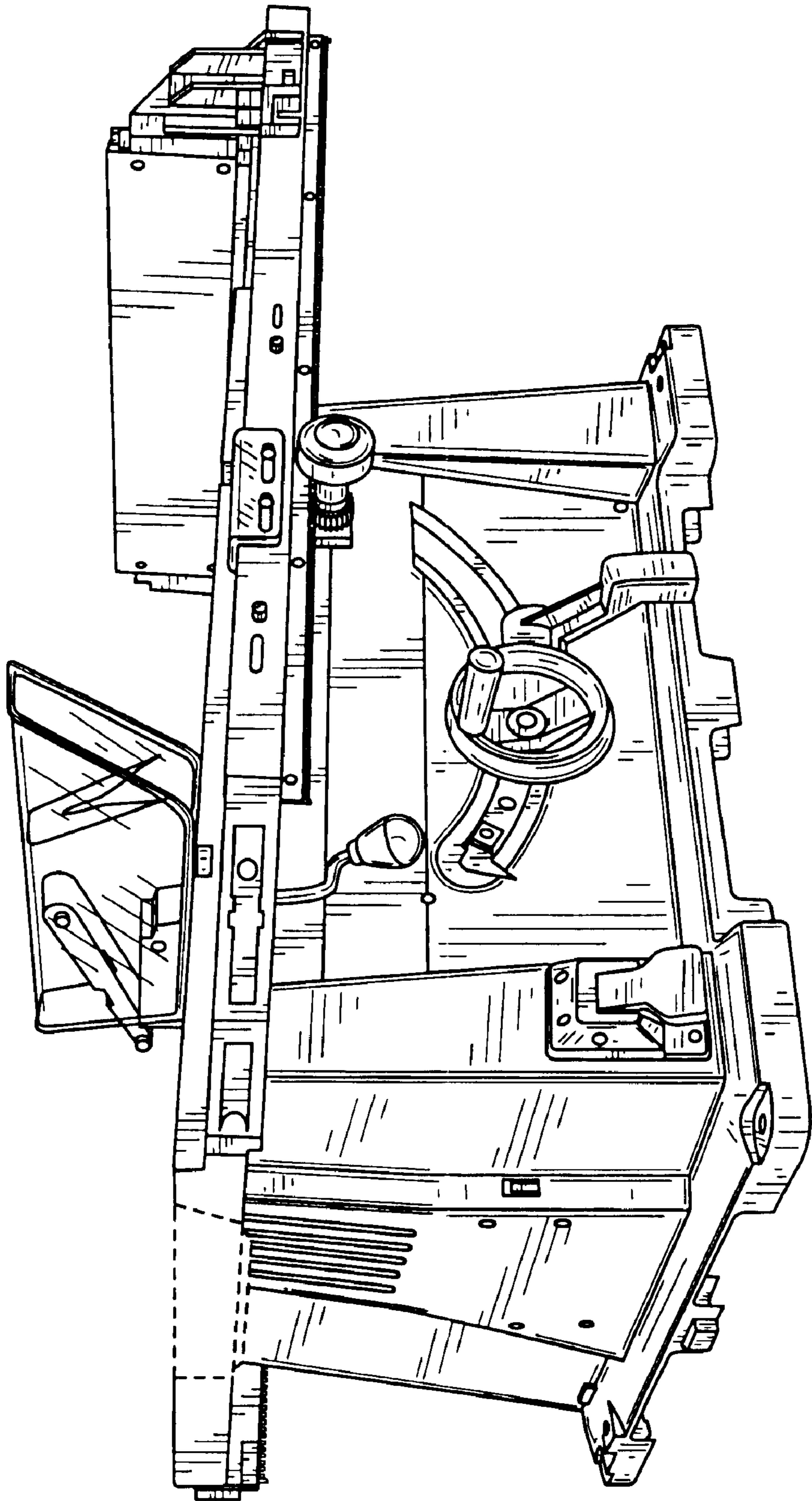


FIG. 11

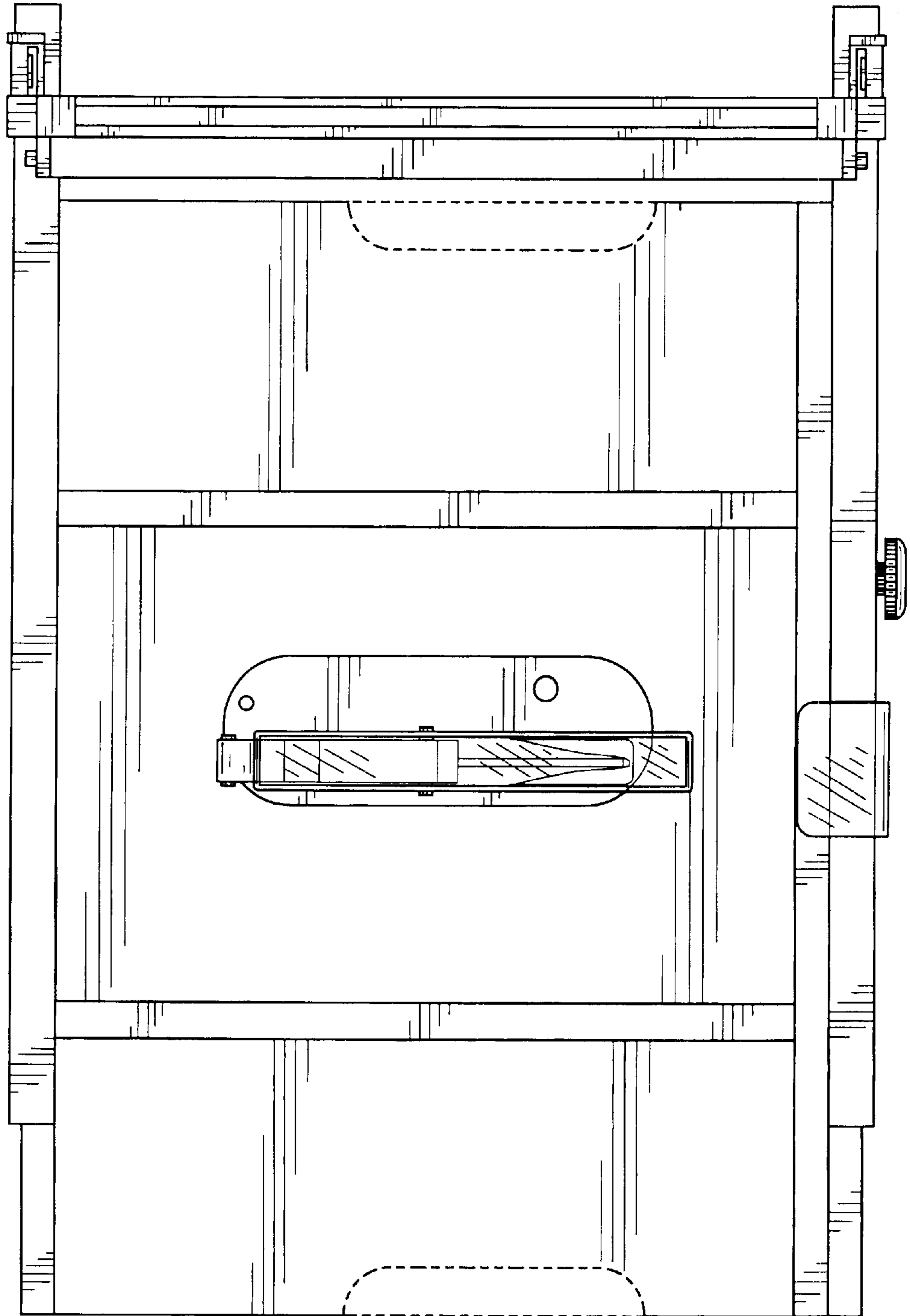


FIG. 12

