



US00D458277S

(12) **United States Design Patent**  
**Stratford**

(10) **Patent No.:** **US D458,277 S**

(45) **Date of Patent:** **\*\* Jun. 4, 2002**

(54) **LAWN MOWER**

D424,070 S \* 5/2000 Danthois ..... D14/14

(75) Inventor: **Mark Stratford**, Darlington (GB)

\* cited by examiner

(73) Assignee: **Black & Decker Inc.**, Newark, DE (US)

*Primary Examiner*—B. J. Bullock

(74) *Attorney, Agent, or Firm*—Harness, Dickey & Pierce, P.L.C.

(\*\*) Term: **14 Years**

(57) **CLAIM**

(21) Appl. No.: **29/110,783**

The ornamental design for a lawn mower, as shown and described.

(22) Filed: **Sep. 14, 1999**

**DESCRIPTION**

(51) **LOC (7) Cl.** ..... **14-18**

(52) **U.S. Cl.** ..... **D15/14**

(58) **Field of Search** ..... D10/14–18, 10, D10/28; 56/194, 201, 202, DIG. 9, 16.6, 16.7, 17.1, 17.4, 255, 10.5, 10.1, 14.7, 320.2, 17.5, 320.1

FIG. 1 is a front perspective view of a lawn mower taken from the front and one side;

FIG. 2 is a top view thereof;

FIG. 3 is a side elevational view thereof, taken from the side illustrated in FIG 1;

FIG. 4 is a side elevational view thereof, take from the side opposite that illustrated in FIG 1;

FIG. 5 is a front elevational view thereof; and,

FIG. 6 is a rear elevational view thereof.

(56) **References Cited**

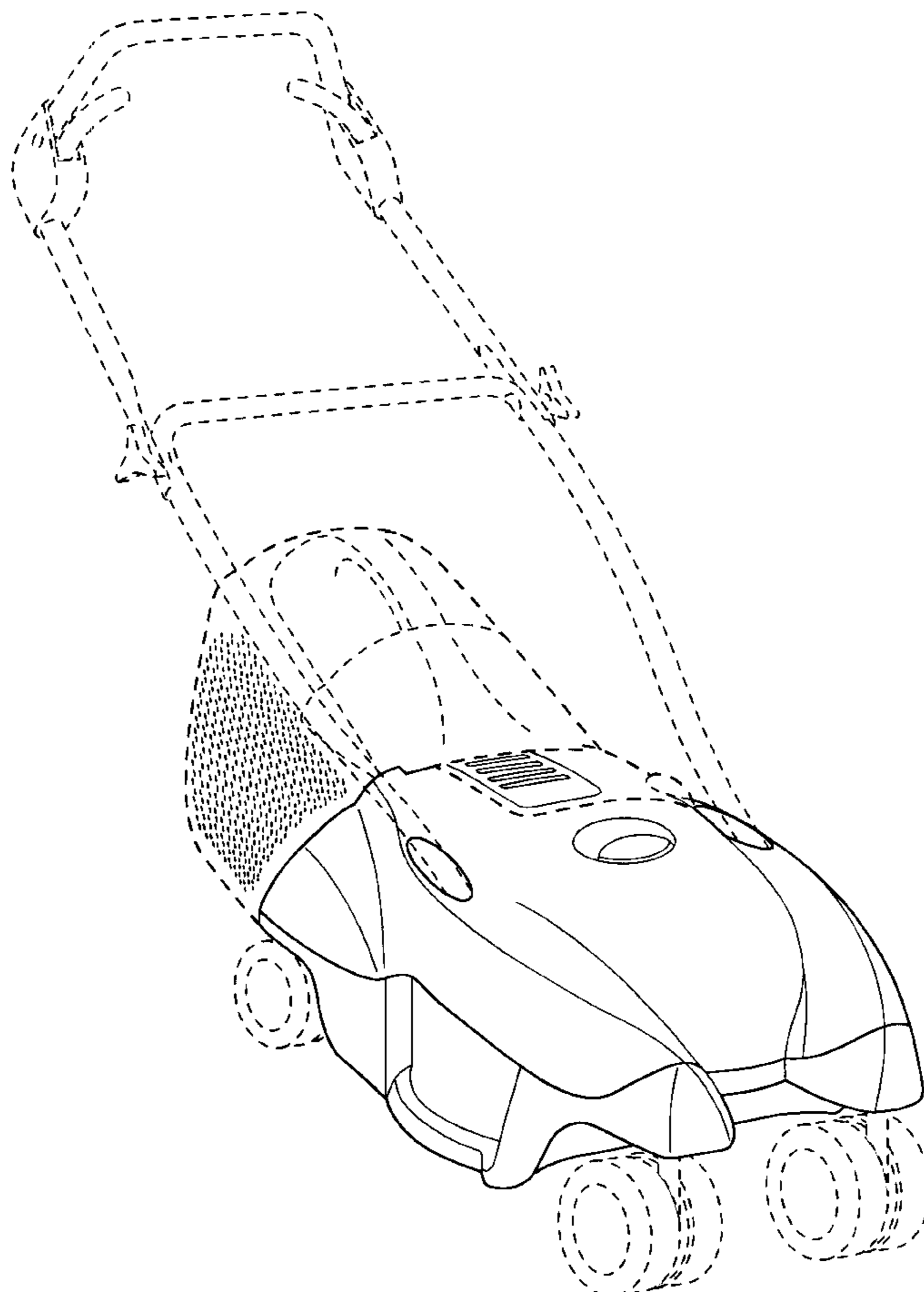
**U.S. PATENT DOCUMENTS**

The views not shown do not constitute part of the claimed design.

D346,810 S	*	5/1994	Schulz et al.	.....	D15/14
5,361,568 A	*	11/1994	Lin	.....	56/202
D356,581 S	*	3/1995	Chunn et al.	.....	D15/14
D381,665 S	*	7/1997	Hinklin et al.	.....	D15/14
5,910,091 A	*	6/1999	Iida et al.	.....	56/17.5
6,018,937 A	*	2/2000	Shimada et al.	.....	56/10.5

It will be understood that the broken lines shown throughout the drawings are for illustrative purposes only and form no part of the subject invention.

**1 Claim, 6 Drawing Sheets**



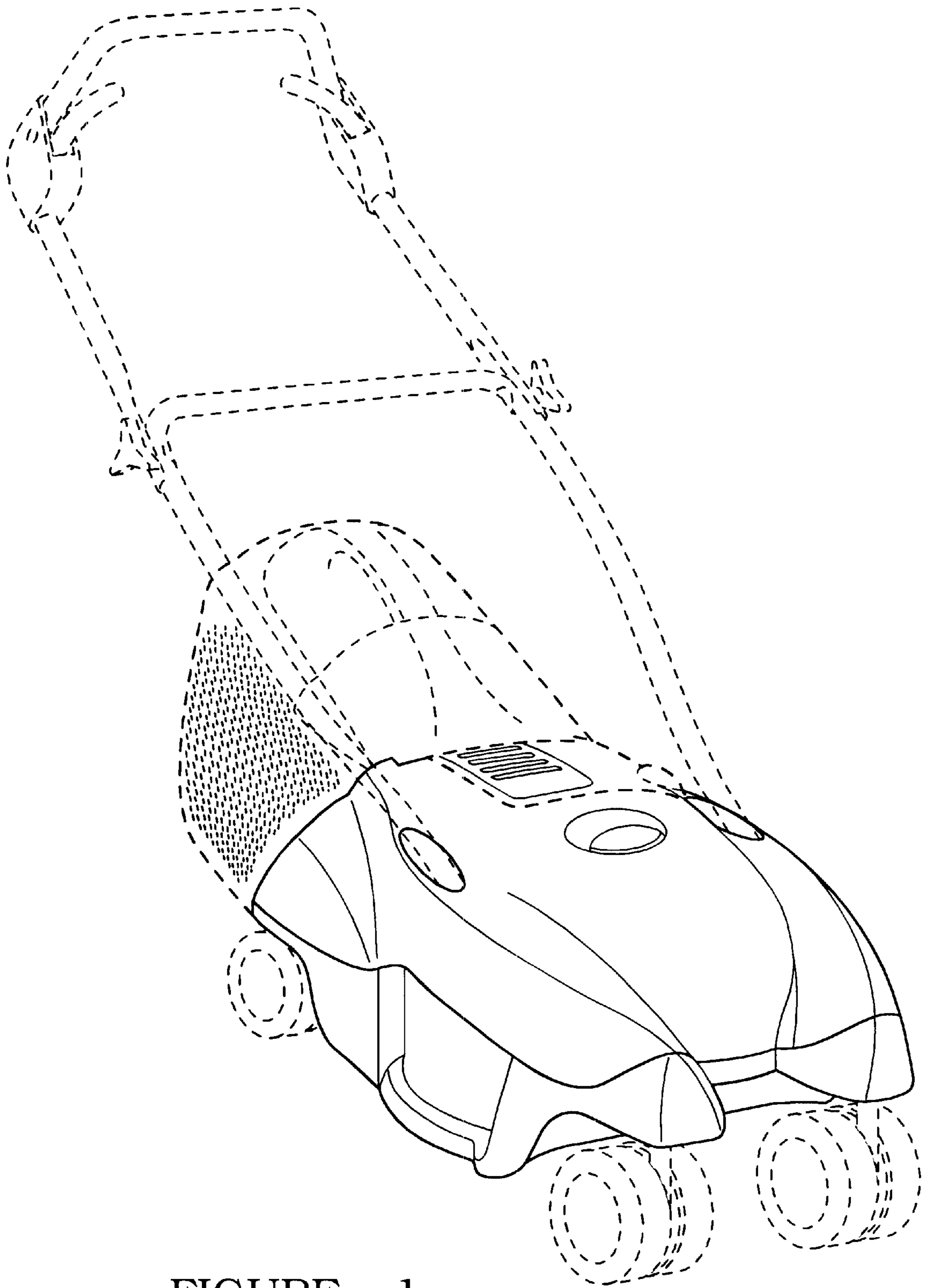


FIGURE- 1

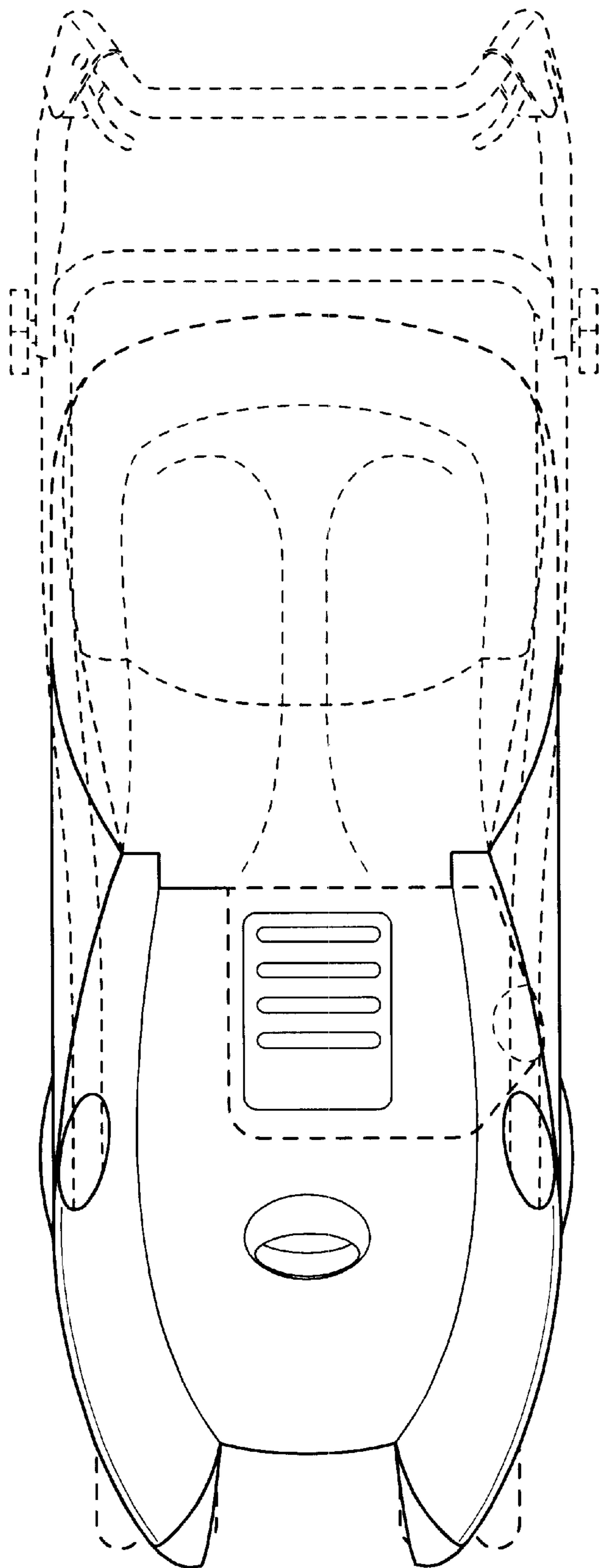


FIGURE- 2

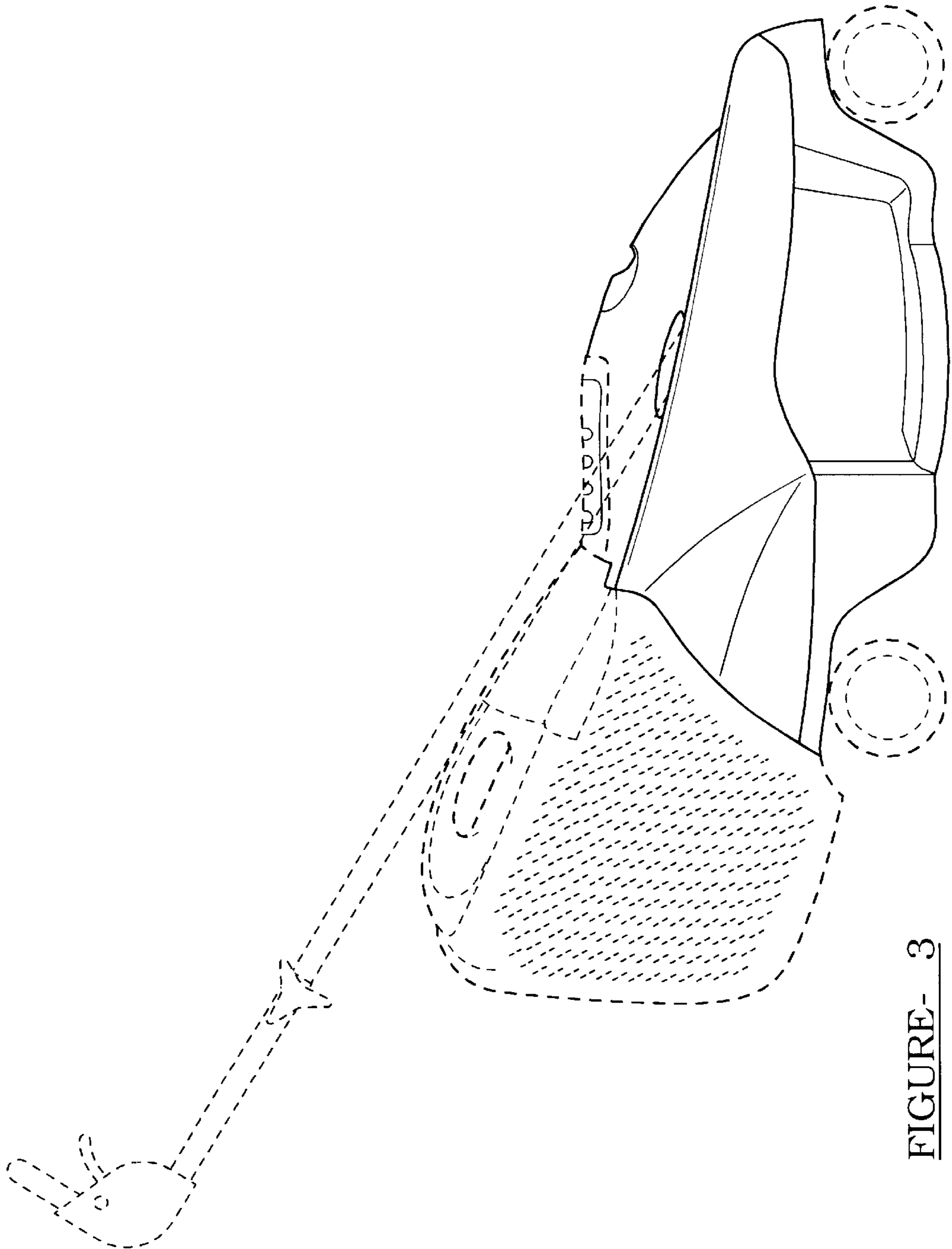


FIGURE- 3

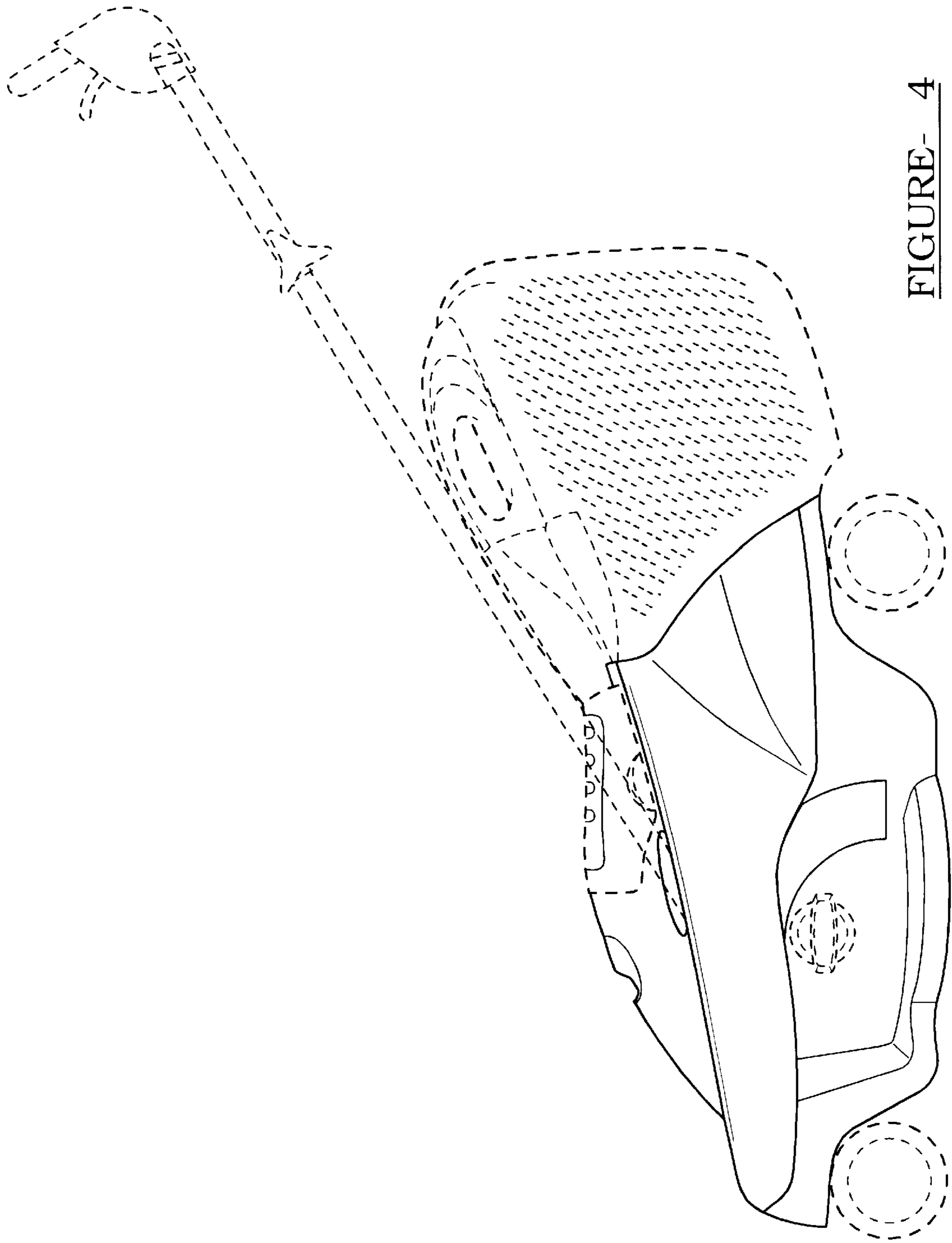


FIGURE- 4

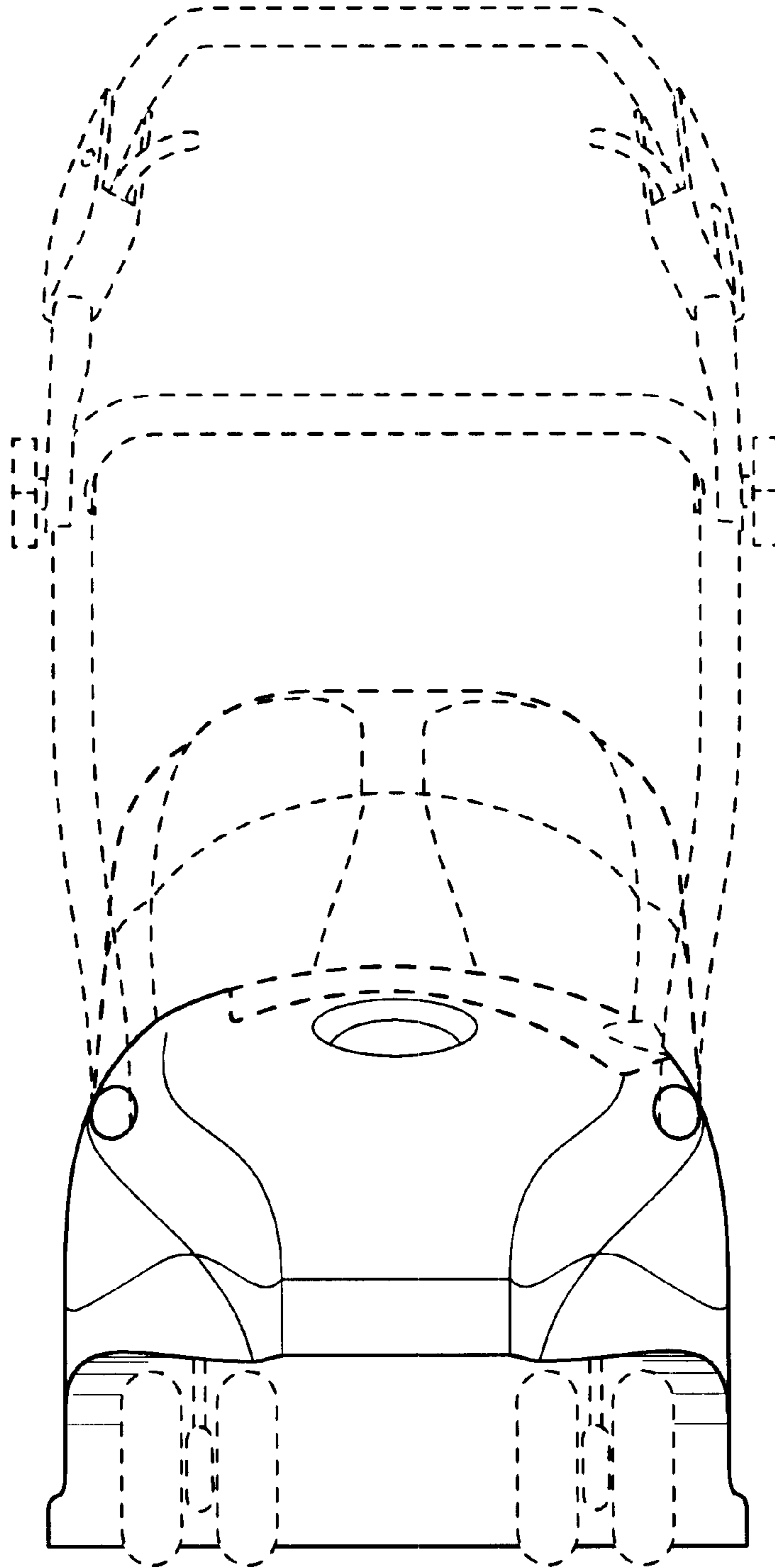


FIGURE- 5

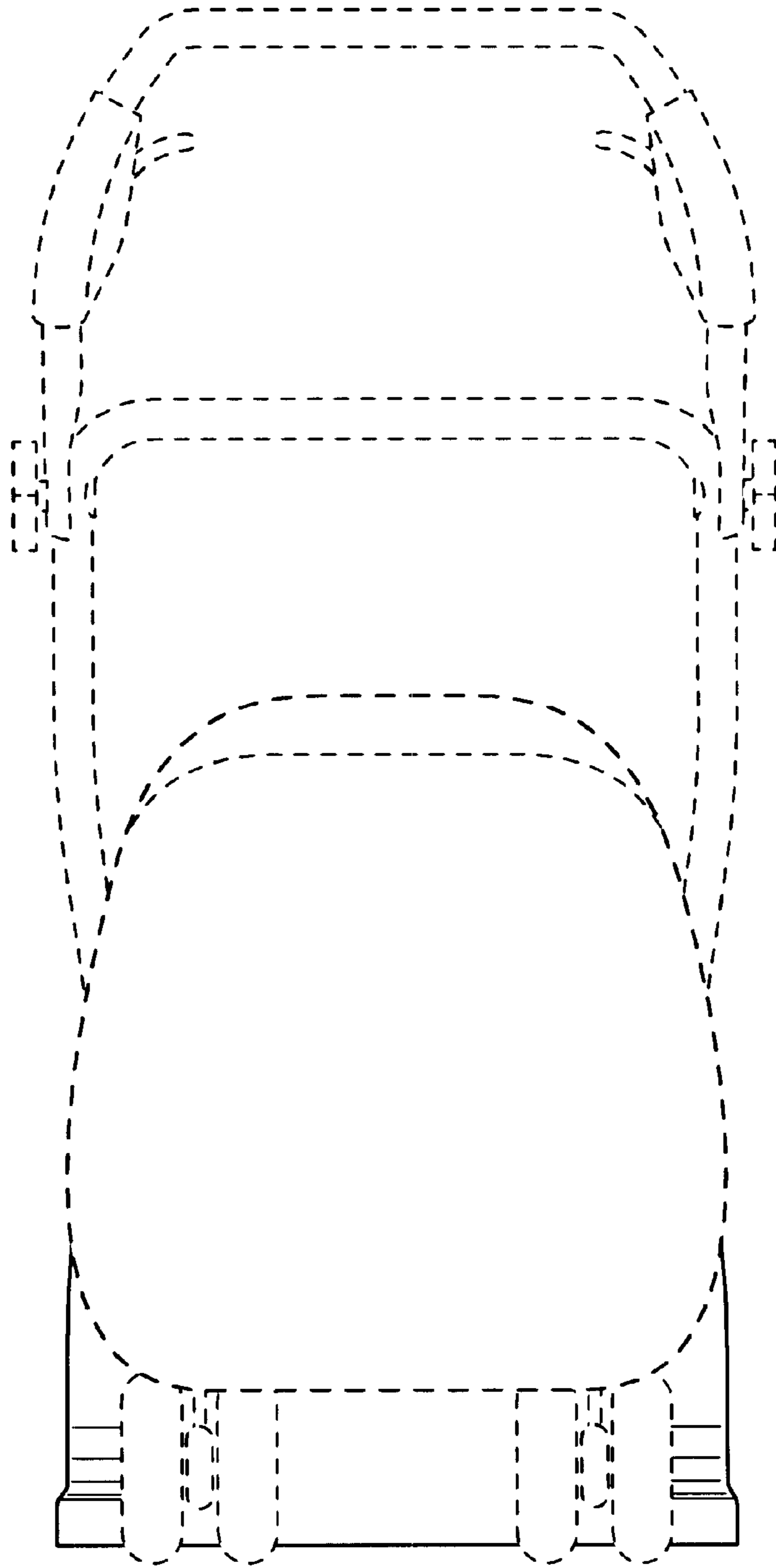


FIGURE- 6