



US00D458273S

(12) **United States Design Patent**  
**Burmeister et al.**

(10) **Patent No.: US D458,273 S**

(45) **Date of Patent: \*\* \*Jun. 4, 2002**

(54) **OUTBOARD MOTOR**

(75) Inventors: **Scott N. Burmeister**, Libertyville;  
**Robert B. Gowens**, Lake Bluff, both of  
IL (US); **Peter J. Van Lancker**;  
**Christopher F. Deutschmann**, both of  
Palm City, FL (US); **Harold L. Wikel,**  
**III**, Muskego, WI (US)

(73) Assignee: **Bombardier Motor Corporation of**  
**America**, Grant, FL (US)

(\*) Notice: This patent is subject to a terminal dis-  
claimer.

(\*\*) Term: **14 Years**

(21) Appl. No.: **29/122,836**

(22) Filed: **May 4, 2000**

(51) **LOC (7) Cl. .... 15-01**

(52) **U.S. Cl. .... D15/4**

(58) **Field of Search** ..... D15/1-5; 440/52,  
440/55, 84, 88, 900, 3, 4, 6; 123/495, 195 P,  
195 W; 290/43, 46, 54; 248/642

(56) **References Cited**

**U.S. PATENT DOCUMENTS**

D257,353 S	10/1980	Fogolin
D272,357 S	1/1984	Hall et al.
D272,358 S	1/1984	Hall et al.
D274,909 S	7/1984	Ferguson et al.
D275,394 S	9/1984	Ferguson et al.
D275,487 S	9/1984	Ferguson et al.
D286,157 S	10/1986	Mikado et al.
D289,169 S	4/1987	Mikado et al.
D289,170 S	4/1987	Mikado

D318,474 S	7/1991	Reynolds
D323,508 S	1/1992	Hirshberg et al.
D332,265 S	1/1993	Osumi
D358,076 S	5/1995	Woller et al.
D359,290 S	6/1995	Takeuchi
D387,775 S	12/1997	Iekura
D403,684 S	1/1999	Oishi
D409,205 S	5/1999	Ohsumi et al.
D412,911 S	8/1999	Iekura
D418,519 S	1/2000	Iekura
D421,444 S	3/2000	Hatch et al.
D422,599 S	4/2000	Iekura
D428,616 S	* 7/2000	Iekura ..... D15/4

\* cited by examiner

*Primary Examiner*—Melody N. Brown  
(74) *Attorney, Agent, or Firm*—Pillsbury Winthrop LLP

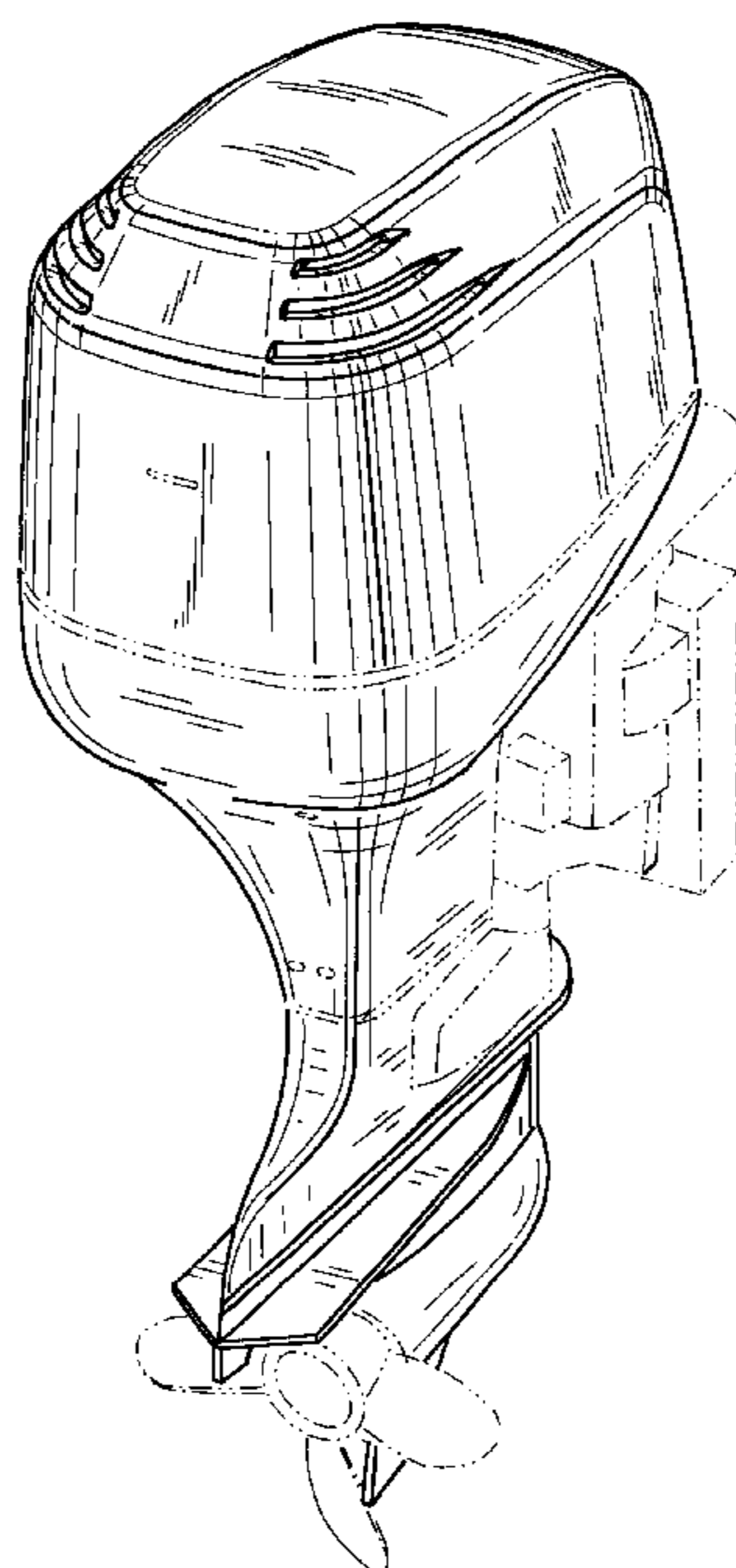
(57) **CLAIM**

The ornamental design for an outboard motor, as shown and described.

**DESCRIPTION**

FIG. 1 is a perspective view of an outboard motor in accordance with the present invention. FIG. 2 is a left side view of the outboard shown in FIG. 1, the right side view being a mirror image thereof. FIG. 3 is a rear view of the outboard motor shown in FIG. 1. FIG. 4 is a front view of the outboard motor shown in FIG. 1; and, FIG. 5 is a top view of the outboard motor shown in FIG. 1. The broken lines shown throughout the drawing are for illustrative purposes only and form no part of the claimed design.

**1 Claim, 2 Drawing Sheets**



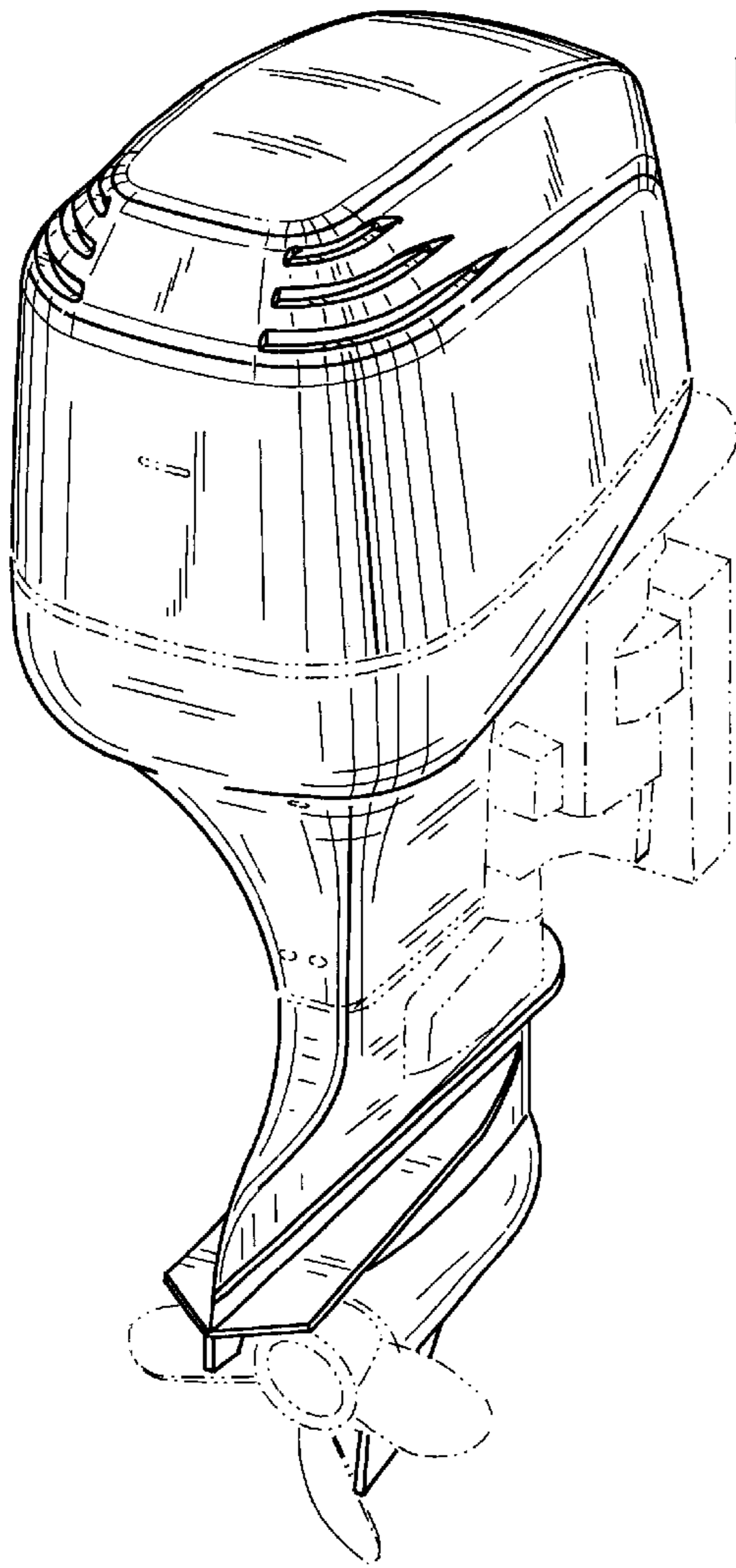


FIG. 1

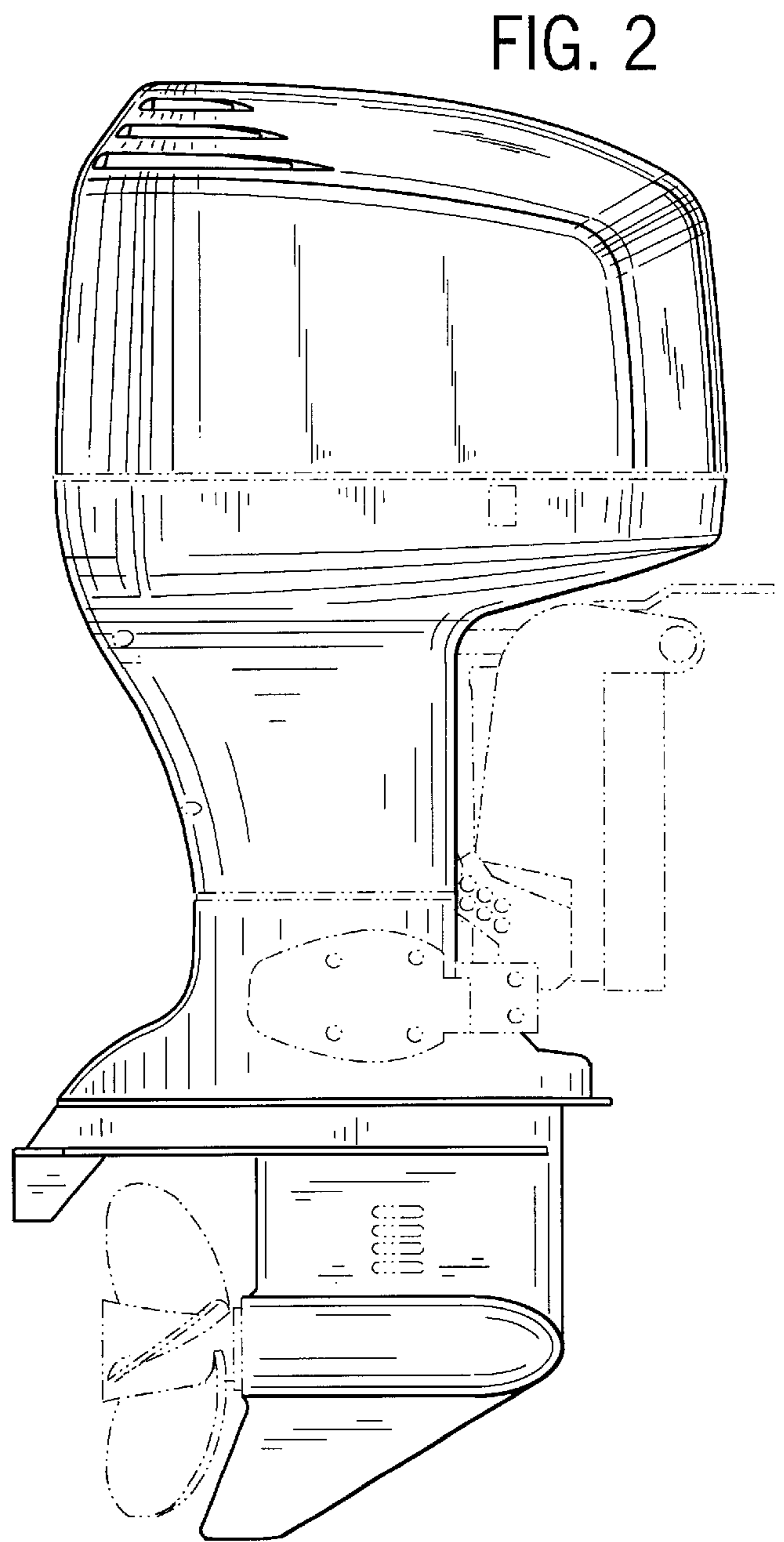


FIG. 2

FIG. 3

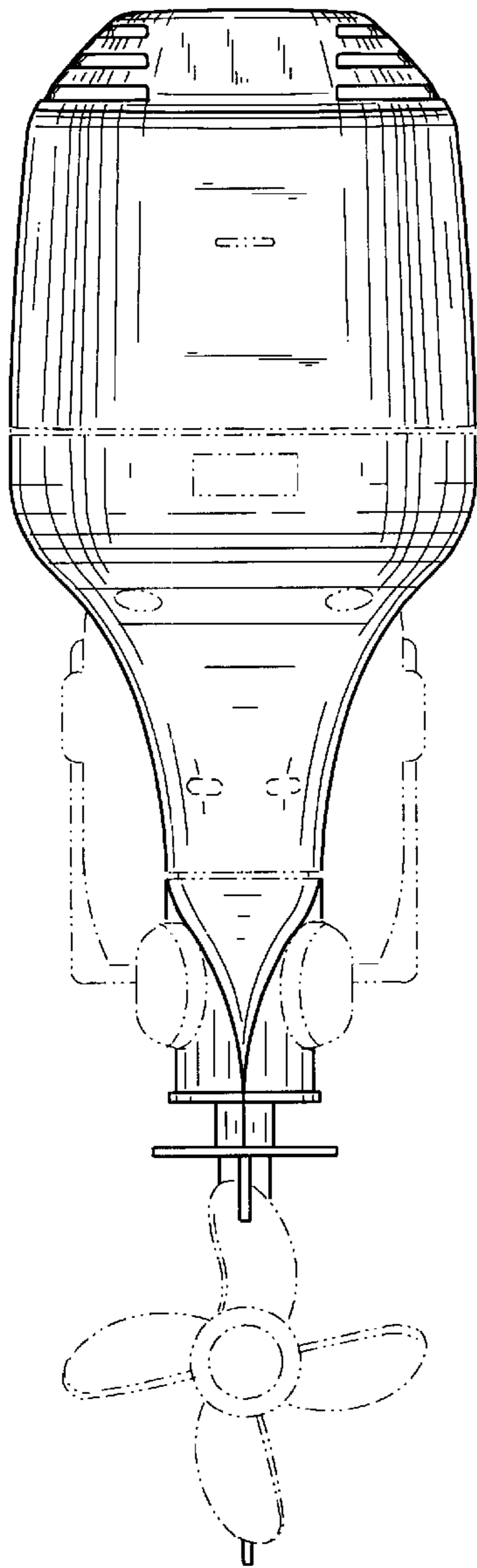


FIG. 4

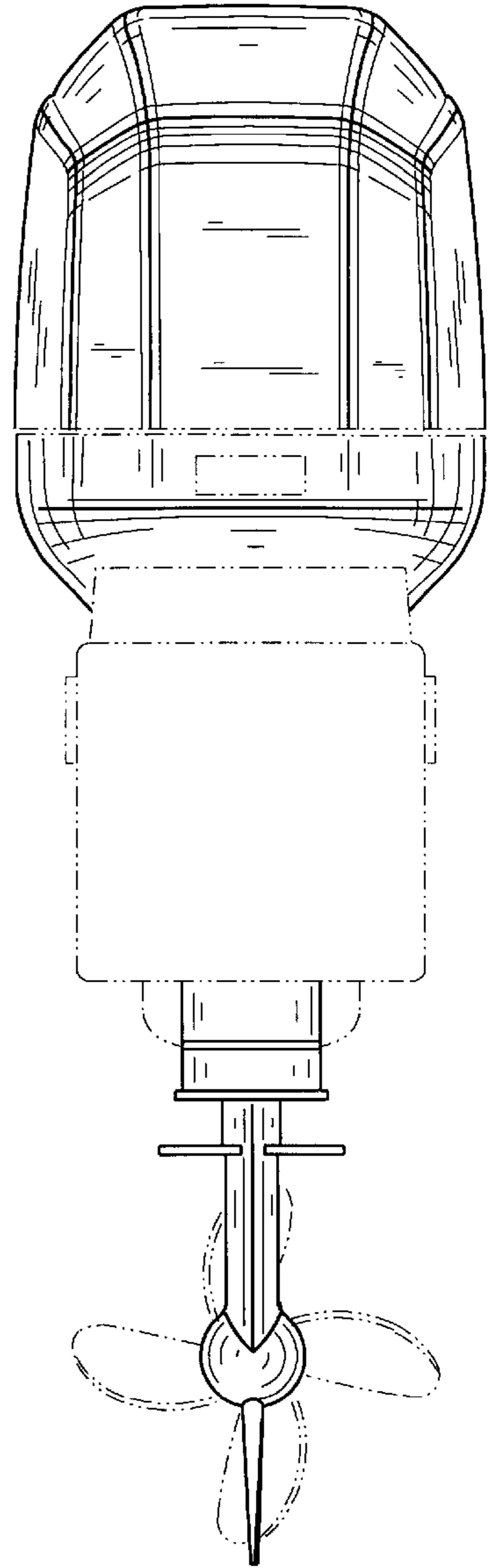


FIG. 5

