



US00D458269S

(12) **United States Design Patent**
Goto

(10) **Patent No.:** **US D458,269 S**

(45) **Date of Patent:** **** Jun. 4, 2002**

(54) **SUPPORTING BASE**

(75) **Inventor:** **Teiyu Goto, Tokyo (JP)**

(73) **Assignee:** **Sony Corporation, Tokyo (JP)**

(**) **Term:** **14 Years**

(21) **Appl. No.:** **29/123,698**

(22) **Filed:** **May 24, 2000**

(30) **Foreign Application Priority Data**

Jan. 18, 2000 (JP) 2000-000500
Jan. 18, 2000 (JP) 2000-000499

(51) **LOC (7) Cl.** **14-02**

(52) **U.S. Cl.** **D14/447**

(58) **Field of Search** D14/439-47, 217,
D14/239, 299, 126; D21/324, 333; D6/449,
491, 445, 396, 512; 248/125.1, 127, 133,
177.1, 178.1, 179.1, 183.1, 346.01, 346.02,
188.2, 917-24; 200/5 R, 5 A, 6 R, 6 A;
361/679-85; D13/184, 199

(56) **References Cited**

U.S. PATENT DOCUMENTS

D270,026 S * 8/1983 Whitford
D287,365 S * 12/1986 Judd
D330,021 S * 10/1992 Kline et al.
D330,705 S * 11/1992 Gowda et al.

D338,882 S * 8/1993 Reiter
D349,696 S * 8/1994 Hames
D361,561 S * 8/1995 Baudot
D362,245 S * 9/1995 Moffatt
D383,728 S * 9/1997 Yurkonis et al.
D416,878 S * 11/1999 Yeh et al.

OTHER PUBLICATIONS

“The Third Wave,” p. 38, May 1998.
“Storage Plus,” p. 408, Computer Product, Jan. 1996.

* cited by examiner

Primary Examiner—M. H. Tung

(74) *Attorney, Agent, or Firm*—Radar, Fishman & Grauer,
PLLC

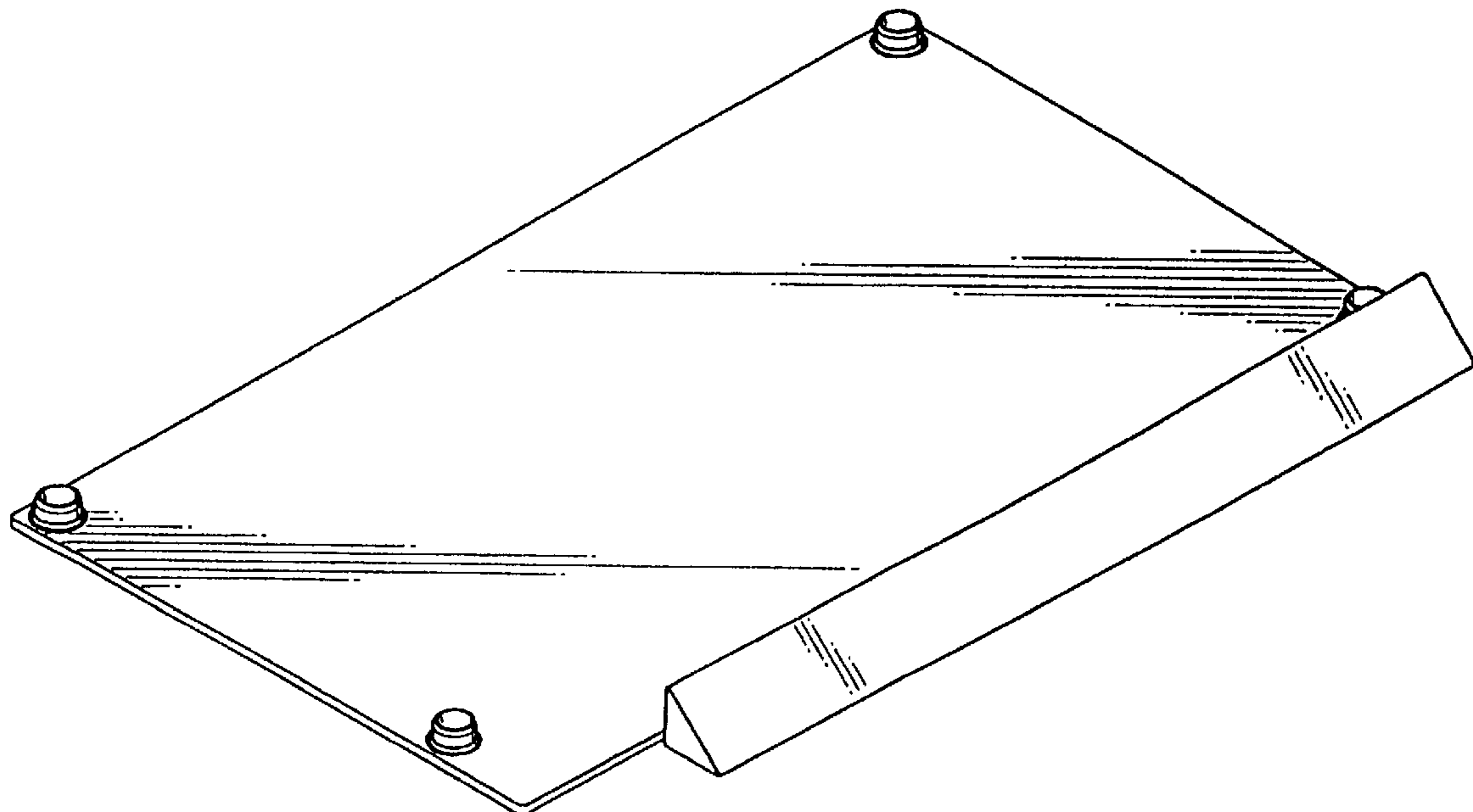
(57) **CLAIM**

The ornamental design for a supporting base, as shown and described.

DESCRIPTION

FIG. 1 is a perspective view of a supporting base showing my design;
FIG. 2 is a top plan view thereof;
FIG. 3 is a front elevational view thereof;
FIG. 4 is a rear elevational view thereof;
FIG. 5 is a bottom plan view thereof;
FIG. 6 is a right side elevational view thereof; and,
FIG. 7 is a left side elevational view thereof.

1 Claim, 2 Drawing Sheets



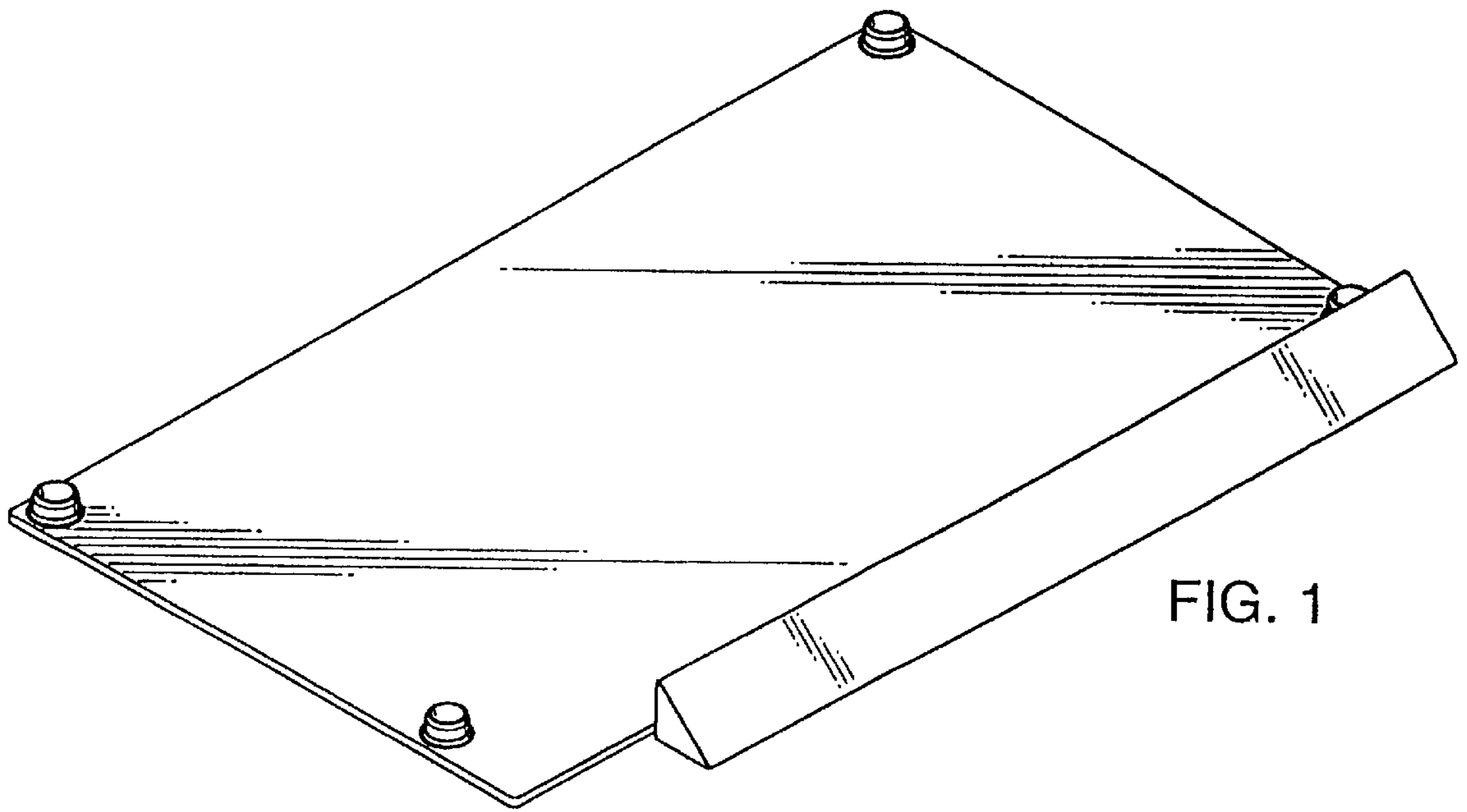
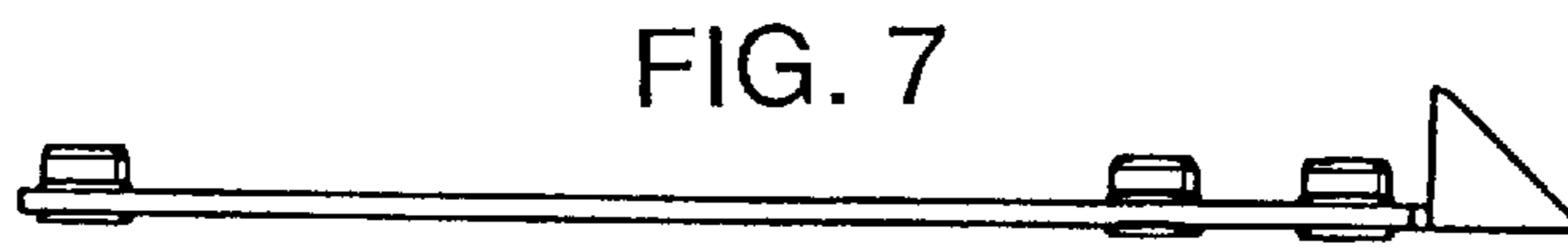
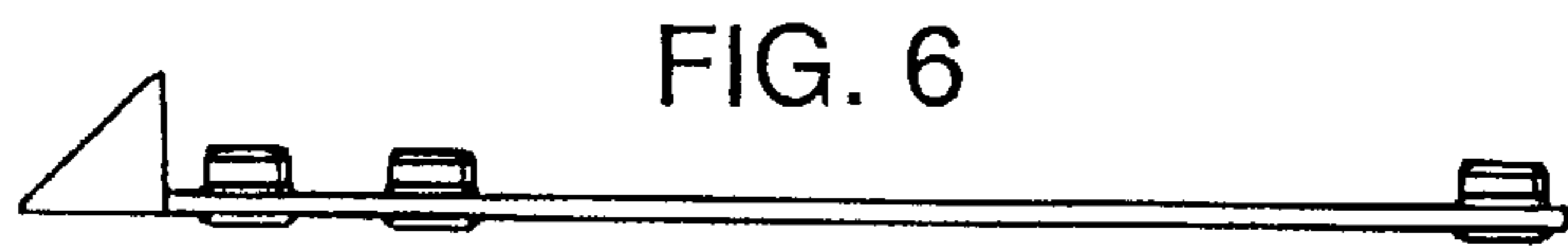


FIG. 2

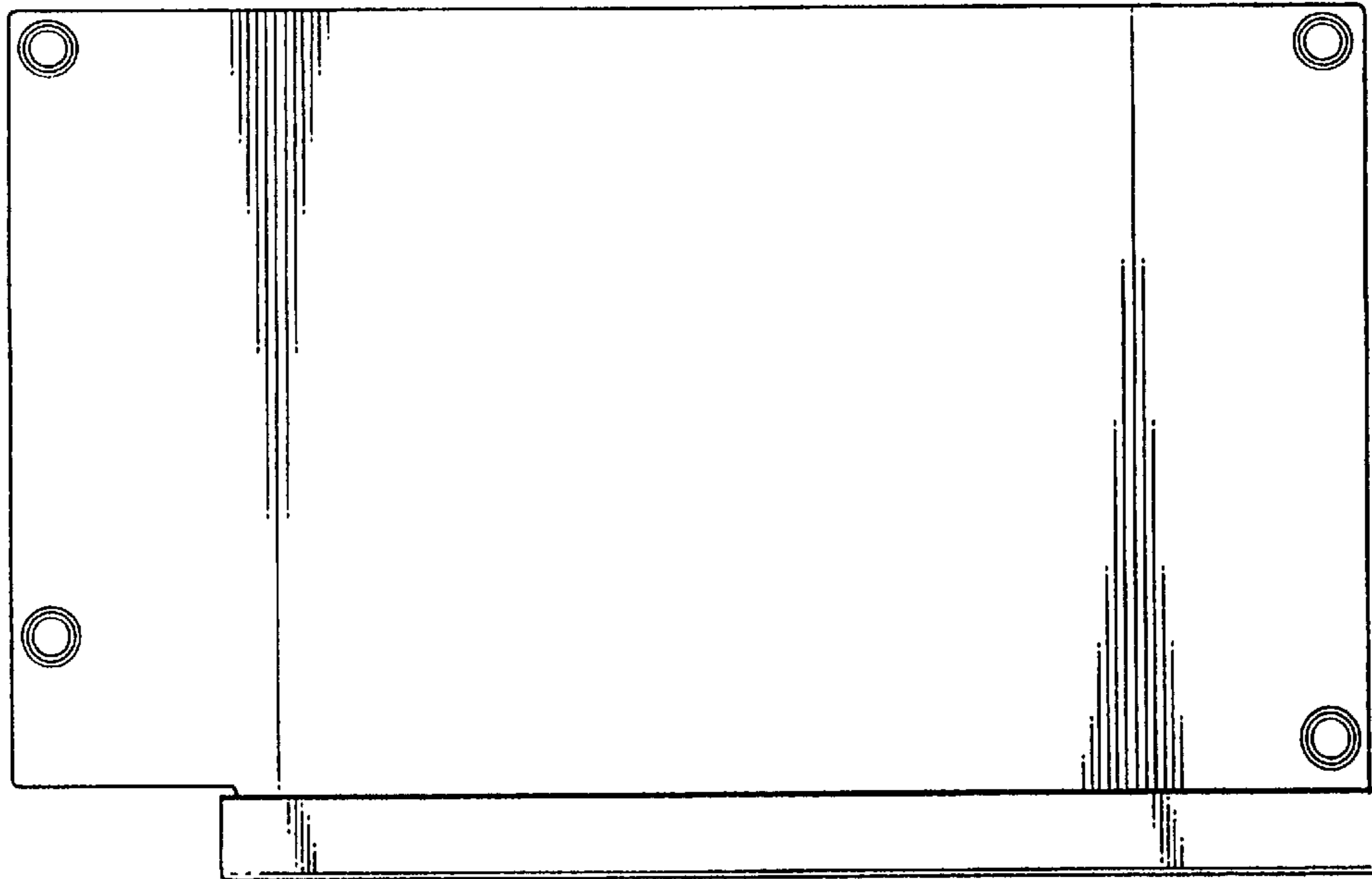


FIG. 3

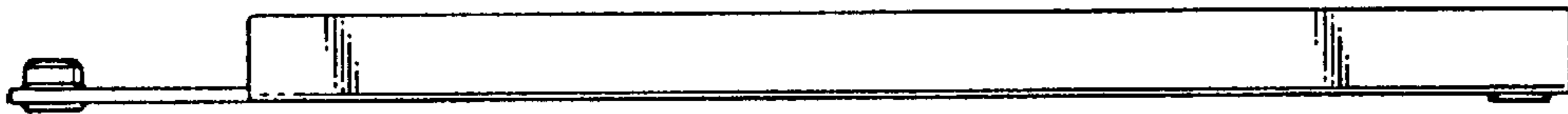


FIG. 4

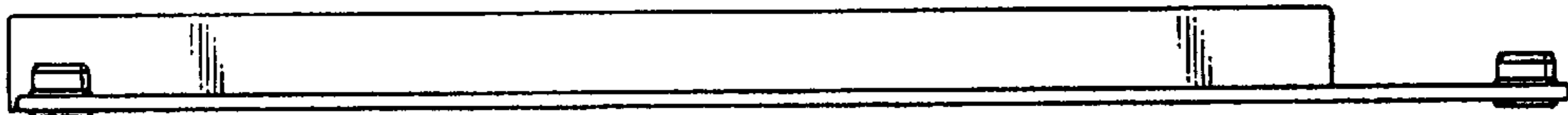
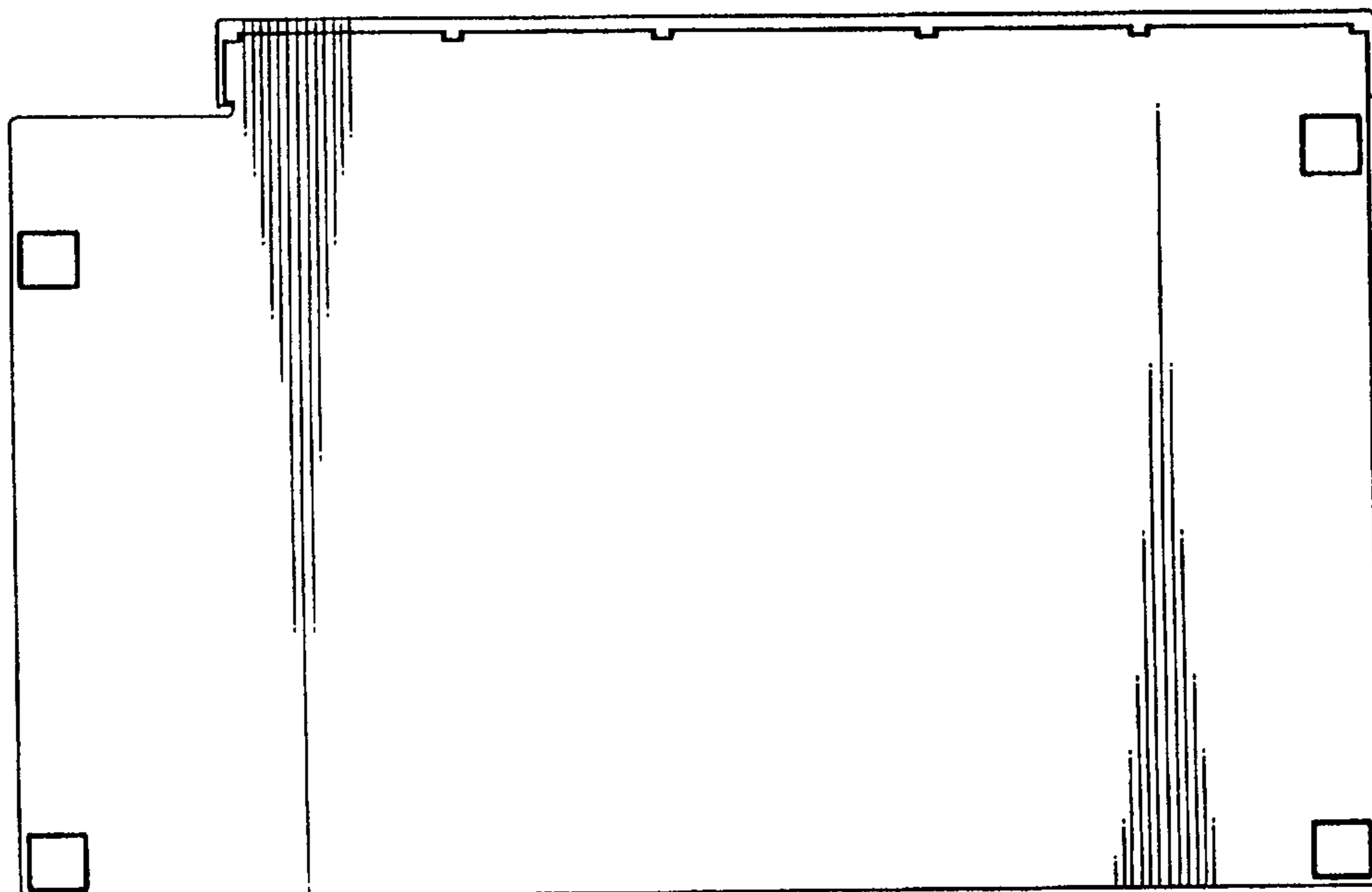


FIG. 5



UNITED STATES PATENT AND TRADEMARK OFFICE
CERTIFICATE OF CORRECTION

PATENT NO. : Des. 458,269
DATED : June 4, 2002
INVENTOR(S) : Teiyu Goto

Page 1 of 1

It is certified that error appears in the above-identified patent and that said Letters Patent is hereby corrected as shown below:

Title page,

Item [73], the assignee should read:

-- [73] Assignee: **Sony Computer Entertainment Inc.,** Tokyo (JP) --

Signed and Sealed this

Thirty-first Day of December, 2002

A handwritten signature in black ink, appearing to read "James E. Rogan", written over a horizontal line.

JAMES E. ROGAN
Director of the United States Patent and Trademark Office