



US00D458268S

(12) **United States Design Patent**
Lee

(10) **Patent No.:** **US D458,268 S**

(45) **Date of Patent:** **** Jun. 4, 2002**

- (54) **COVER FOR MINI COMPUTER**
- (75) Inventor: **Man-Tat Lee, Kowloon (CN)**
- (73) Assignee: **Storm Electronics Company Limited, Kowloon (CN)**
- (**) Term: **14 Years**
- (21) Appl. No.: **29/141,188**
- (22) Filed: **May 1, 2001**
- (30) **Foreign Application Priority Data**
Nov. 13, 2000 (HK) 0011659
- (51) **LOC (7) Cl.** **14-02**
- (52) **U.S. Cl.** **D14/439**
- (58) **Field of Search** D14/441, 439,
D14/341-347; D18/1, 2, 6, 7; 235/145 A,
145 R; 361/680-686; 341/22, 23; 345/156,
168, 169, 172, 173, 87; 349/12; D13/184;
455/90

- D408,021 S * 4/1999 Haitani et al. D14/345
- D424,035 S * 5/2000 Steiner et al. D14/439
- D432,535 S * 10/2000 Loh et al. D14/345
- D433,016 S * 10/2000 Matsuda et al. D14/345
- 6,226,501 B1 * 5/2001 Weadon et al. 455/90

* cited by examiner

Primary Examiner—Freda Nunn
(74) *Attorney, Agent, or Firm*—Alix, Yale & Ristas, LLP

(57) **CLAIM**

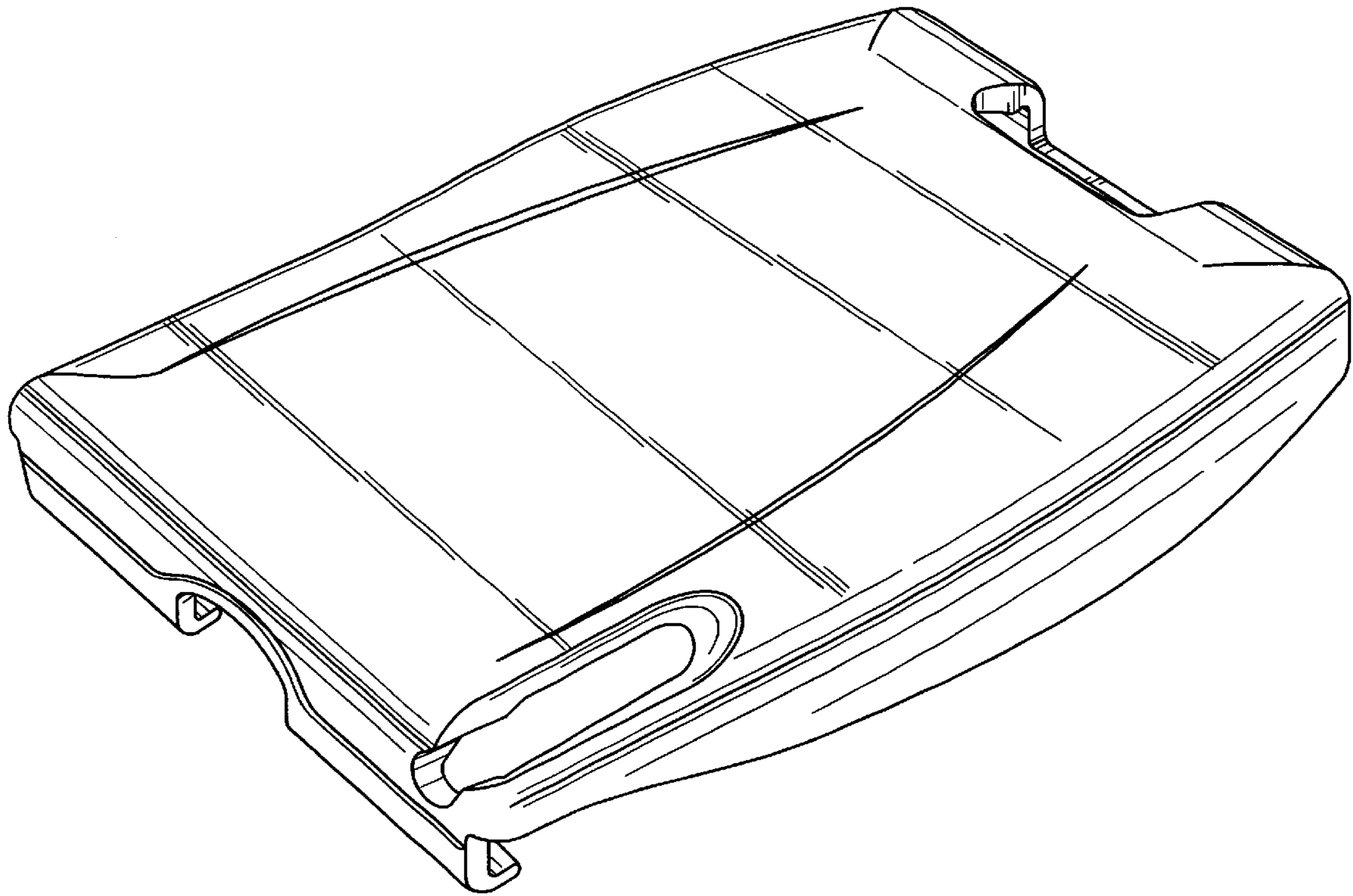
The ornamental design for a cover for mini computer, as shown and described.

DESCRIPTION

FIG. 1 is a perspective view of a cover for mini computer showing my new design;
FIG. 2 is a front elevational view thereof;
FIG. 3 is a right side elevational view thereof;
FIG. 4 is a top plan view thereof;
FIG. 5 is a rear elevational view thereof;
FIG. 6 is a left side elevational view thereof; and,
FIG. 7 is a bottom plan view thereof.

- (56) **References Cited**
U.S. PATENT DOCUMENTS
D380,199 S * 6/1997 Beruscha et al. D13/184

1 Claim, 3 Drawing Sheets



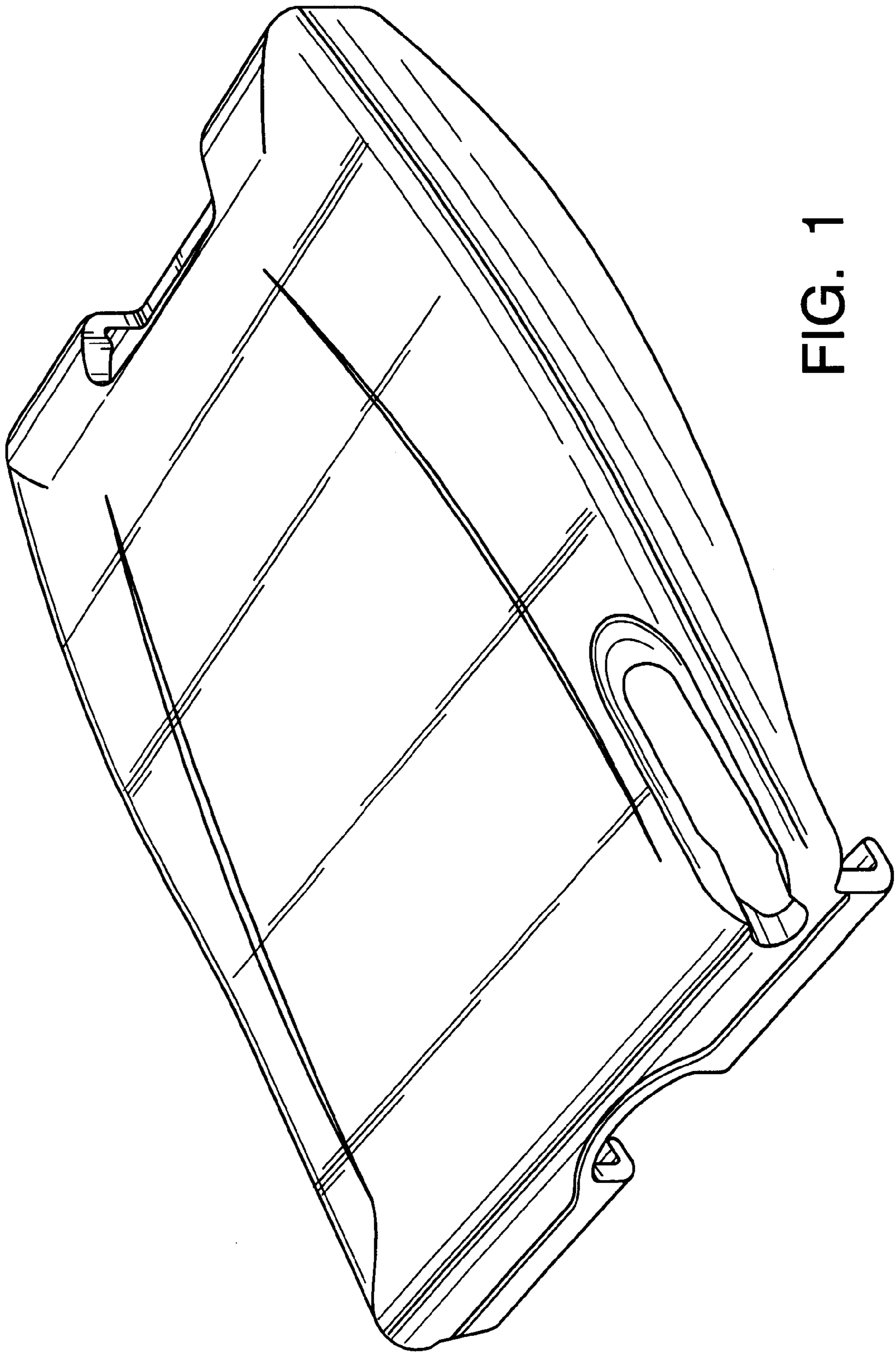


FIG. 1

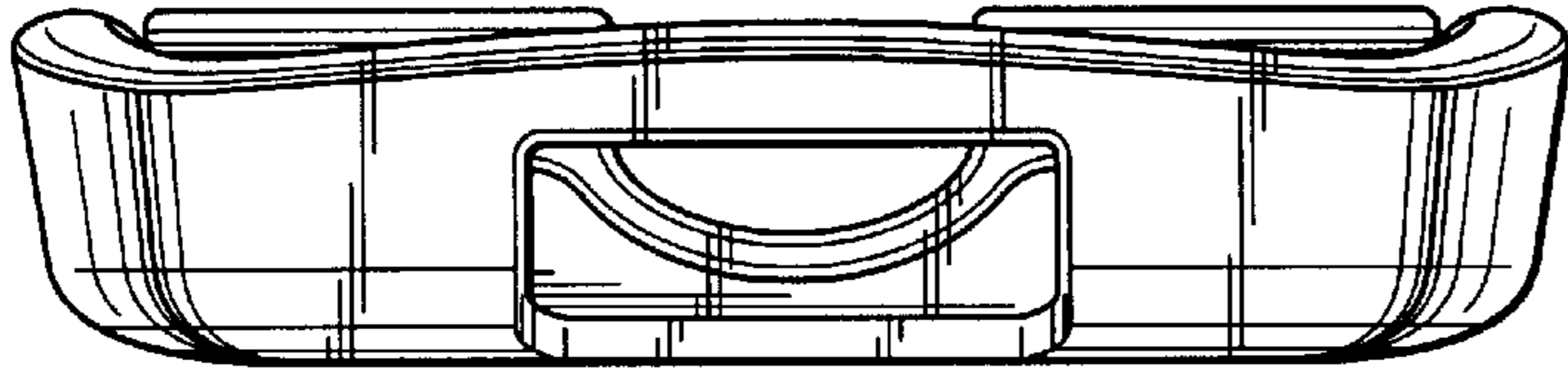


FIG. 4

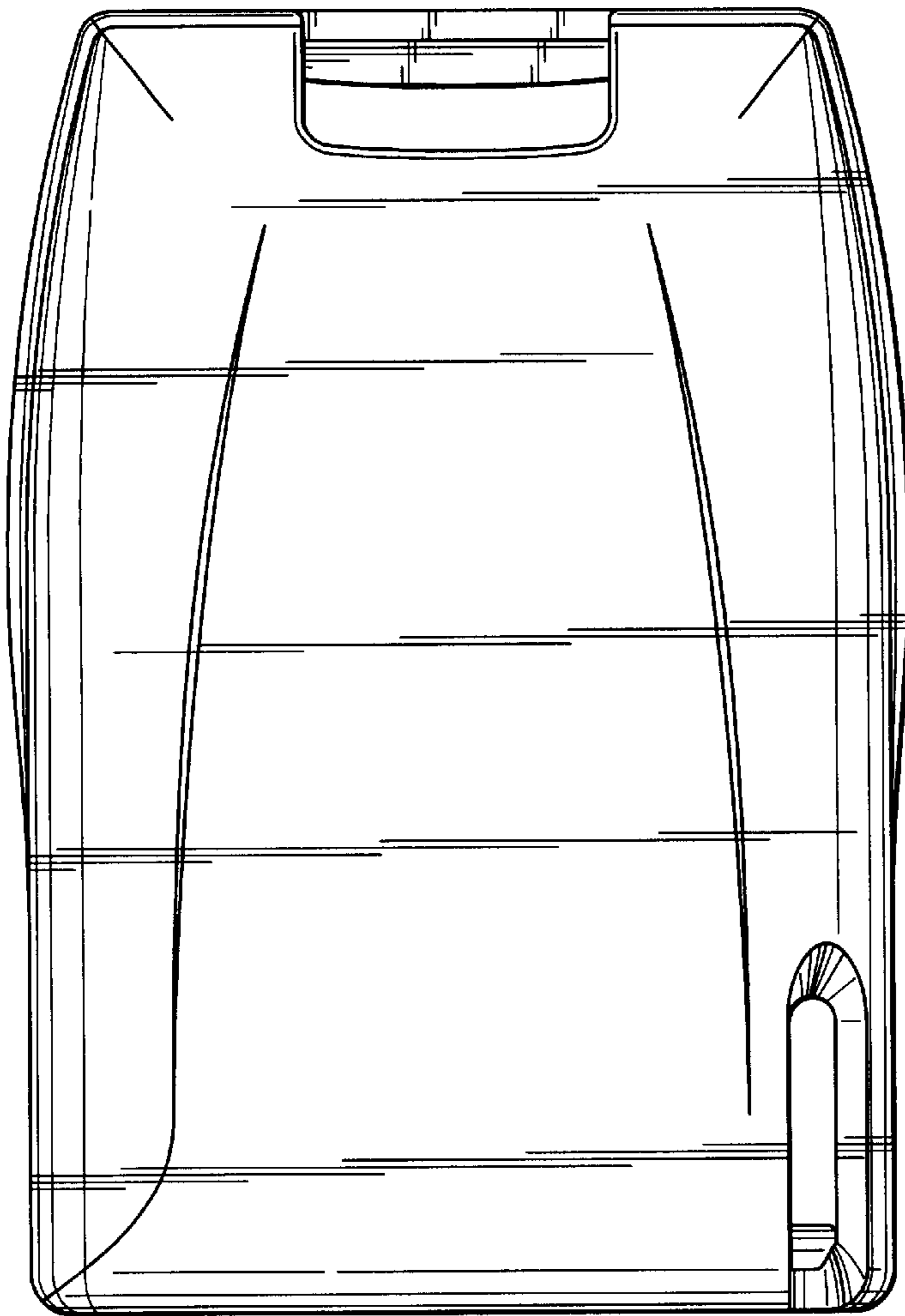


FIG. 2

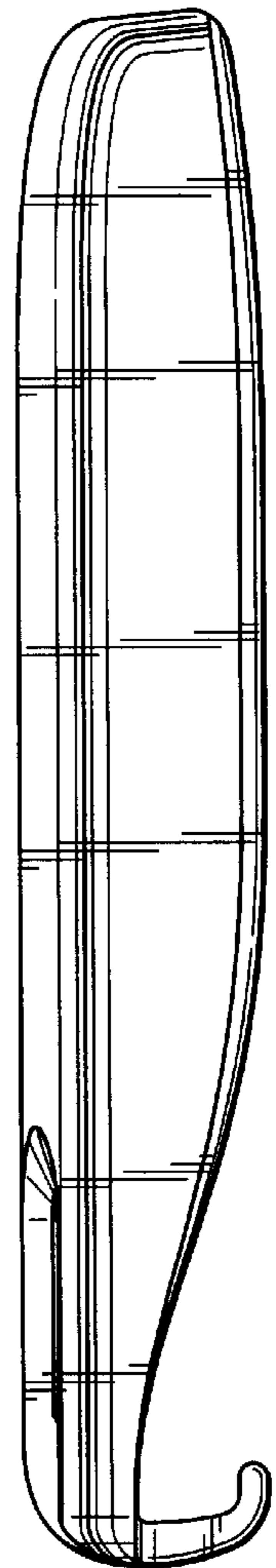


FIG. 3

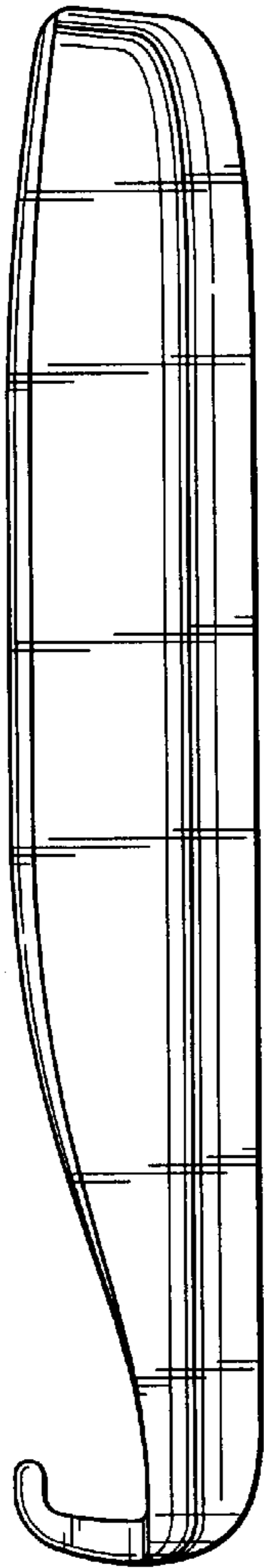


FIG. 6

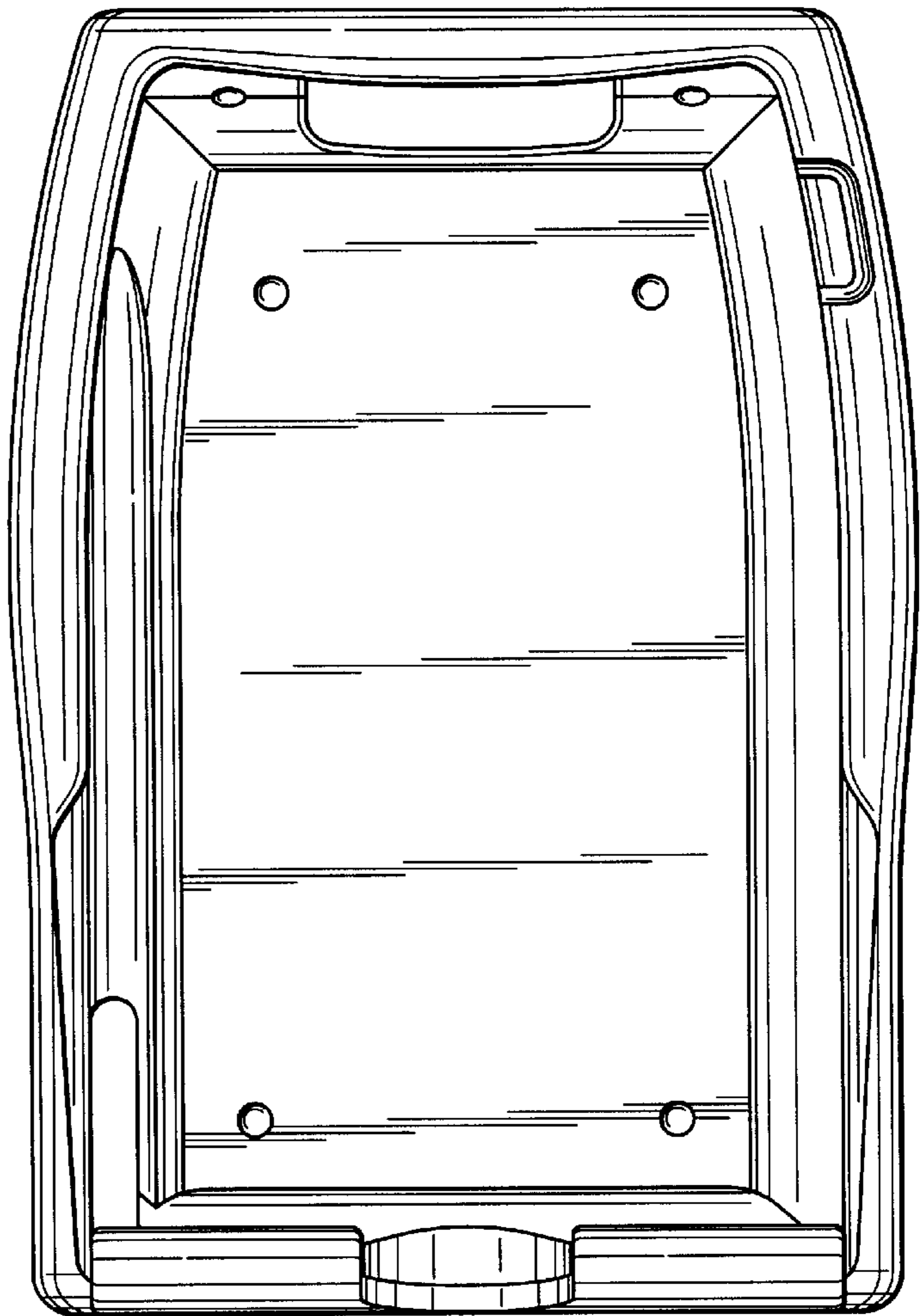


FIG. 5

FIG. 7

