



US00D458267S

(12) **United States Design Patent**
Goto

(10) **Patent No.:** **US D458,267 S**

(45) **Date of Patent:** **** *Jun. 4, 2002**

(54) **INTERFACE CARD**

(75) Inventor: **Teiyu Goto**, Tokyo (JP)

(73) Assignee: **Sony Corporation**, Tokyo (JP)

(**) Term: **14 Years**

(21) Appl. No.: **29/132,272**

(22) Filed: **Nov. 7, 2000**

(30) **Foreign Application Priority Data**

Sep. 21, 2000 (JP) 2000-026371

(51) **LOC (7) Cl.** **14-02**

(52) **U.S. Cl.** **D14/436**

(58) **Field of Search** D14/432-438;
361/424, 686-689, 737, 753, 75, 684; D19/9,
10

(56) **References Cited**

U.S. PATENT DOCUMENTS

D298,326 S	11/1988	Kimura	
D370,904 S	6/1996	Nakata et al.	
D410,913 S	* 6/1999	Saito et al.	D14/436
D413,879 S	* 9/1999	Wu	D14/436
D414,481 S	* 9/1999	Wu	D14/436
D416,886 S	* 11/1999	Hirai et al.	D14/436
D435,256 S	12/2000	Hibino	

FOREIGN PATENT DOCUMENTS

JP	750387	12/1988
JP	789938	6/1990
JP	848305	9/1992
JP	848834	10/1992
JP	849422	10/1992
JP	849716	10/1992
JP	899231	5/1994
JP	915942	1/1995
JP	953891	5/1996
JP	956633	6/1996

OTHER PUBLICATIONS

PC Magazine "IC-Storage Specialist," 2 sheets (Jul. 2000).

Website Publication No. 2075951 Jul 6, 2000.

Website Publication No. 2075952 Jul 6, 2000.

Website Publication No. 2075953 Jul 6, 2000.

Website Publication No. 2036368 Jul 6, 2000.

Website Publication No. 2030967 Jul 6, 2000.

Website Publication No. 2030968 Jul 6, 2000.

* cited by examiner

Primary Examiner—Kay H. Chin

(74) *Attorney, Agent, or Firm*—Rader, Fishman & Grauer, PLLC

(57) **CLAIM**

The ornamental design for an interface card, as shown and described.

DESCRIPTION

FIG. 1 is a perspective view of an interface card showing my new design;

FIG. 2 is a front elevational view thereof;

FIG. 3 is a rear elevational view thereof;

FIG. 4 is a left side elevational view thereof;

FIG. 5 is a right side elevational view thereof;

FIG. 6 is a top plan view thereof; and

FIG. 7 is a bottom plan view thereof.

FIG. 8 is an enlarged left side elevational view there thereof; and,

FIG. 9 is an enlarged right side elevational view thereof.

1 Claim, 2 Drawing Sheets

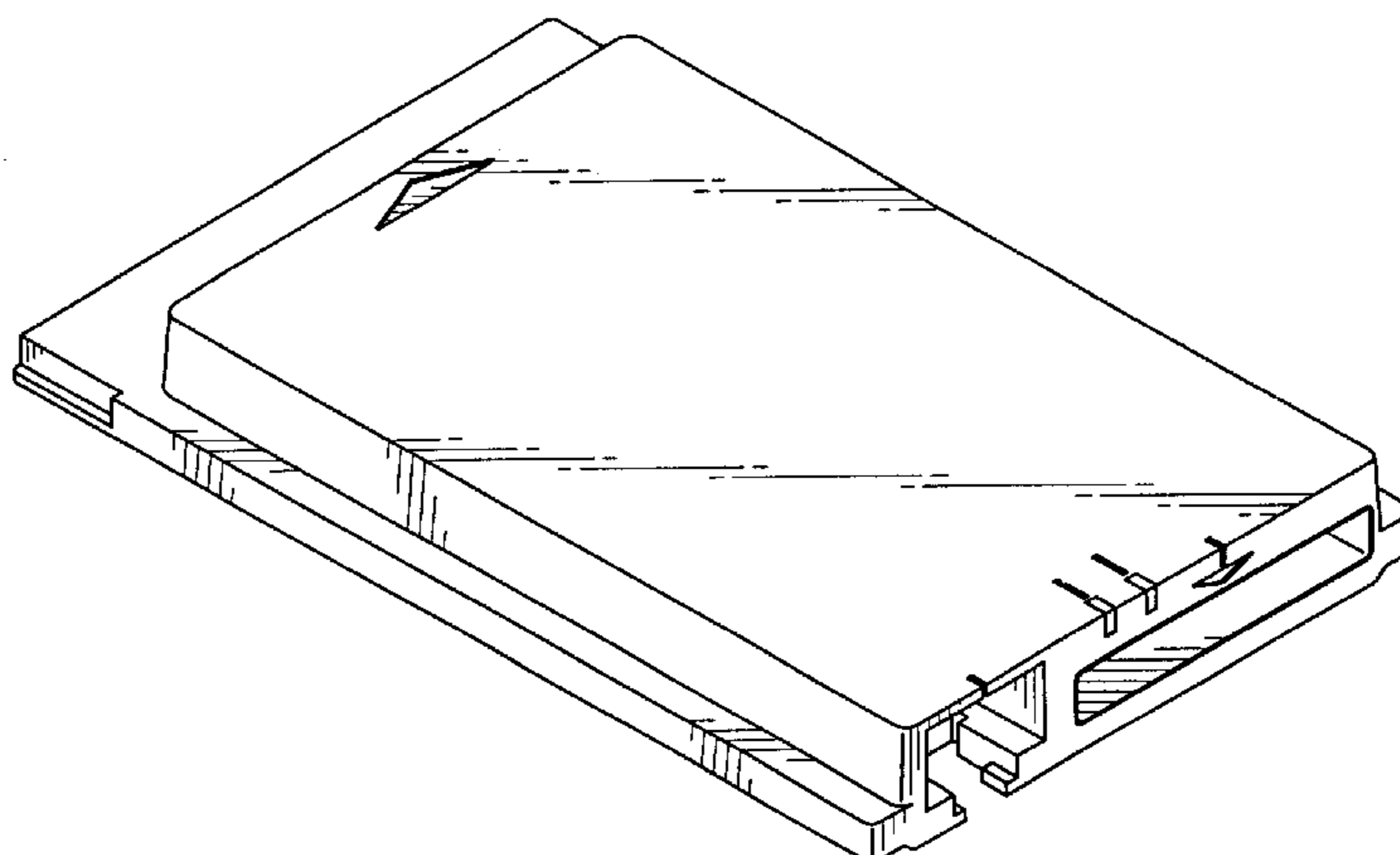


FIG. 1

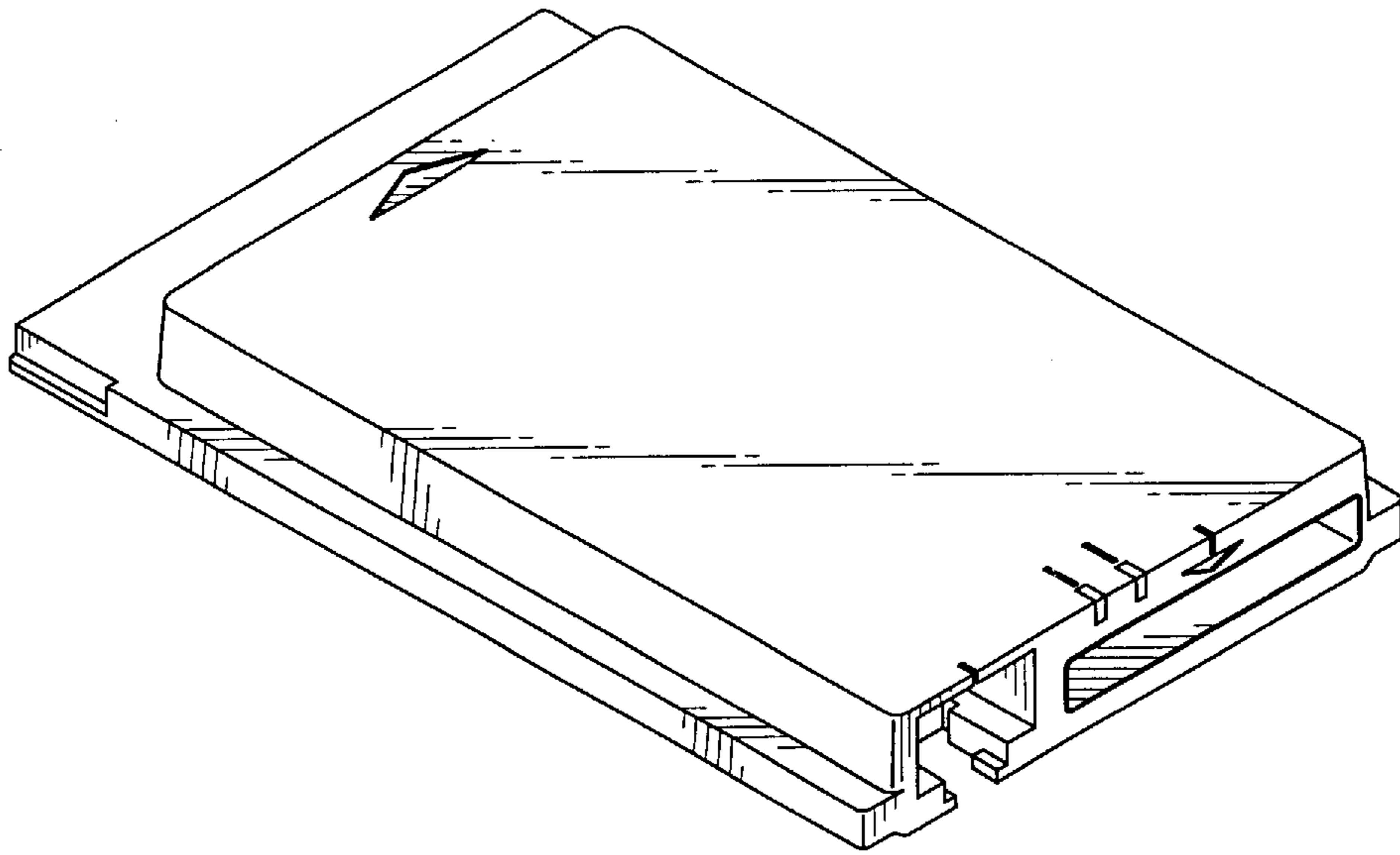


FIG. 2

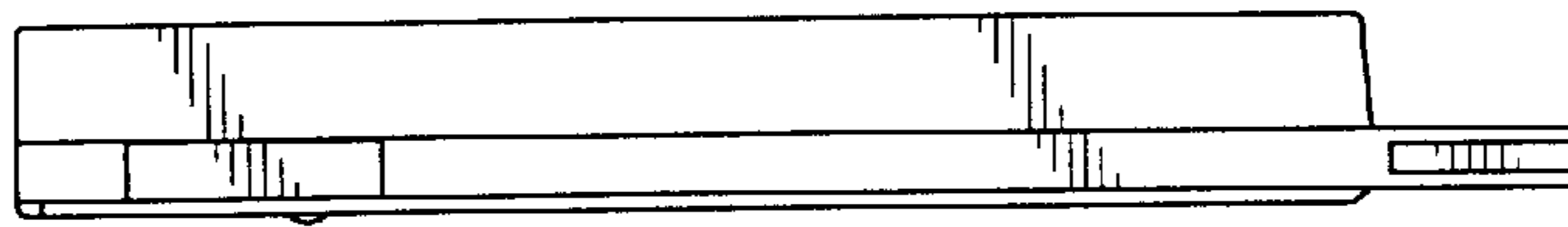


FIG. 3

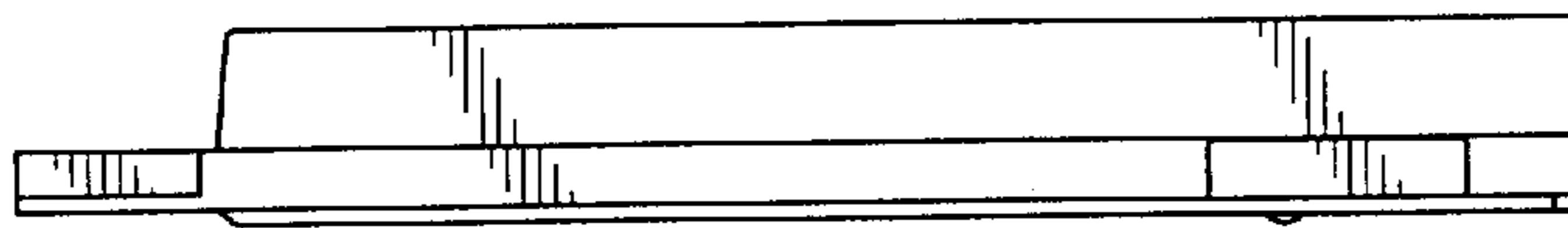


FIG. 4

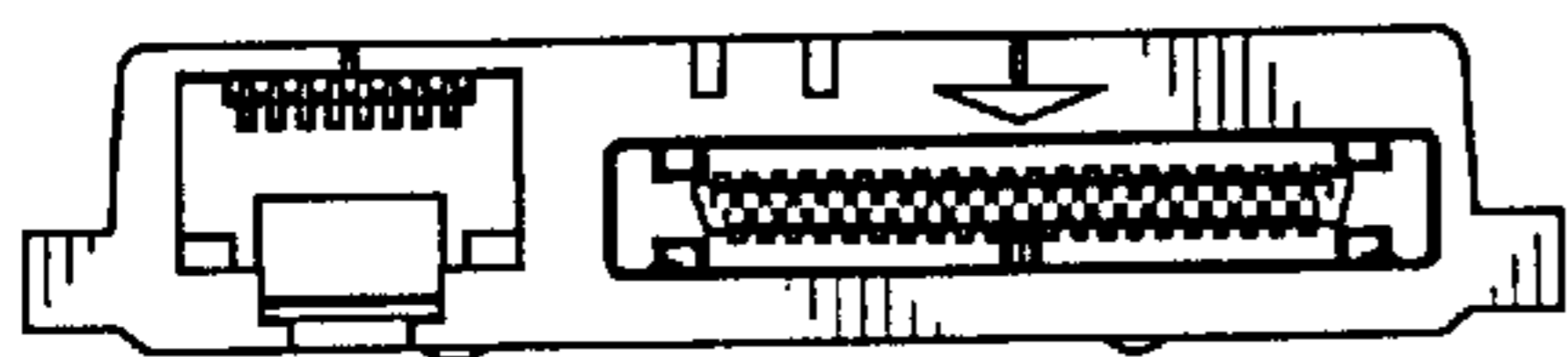


FIG. 5

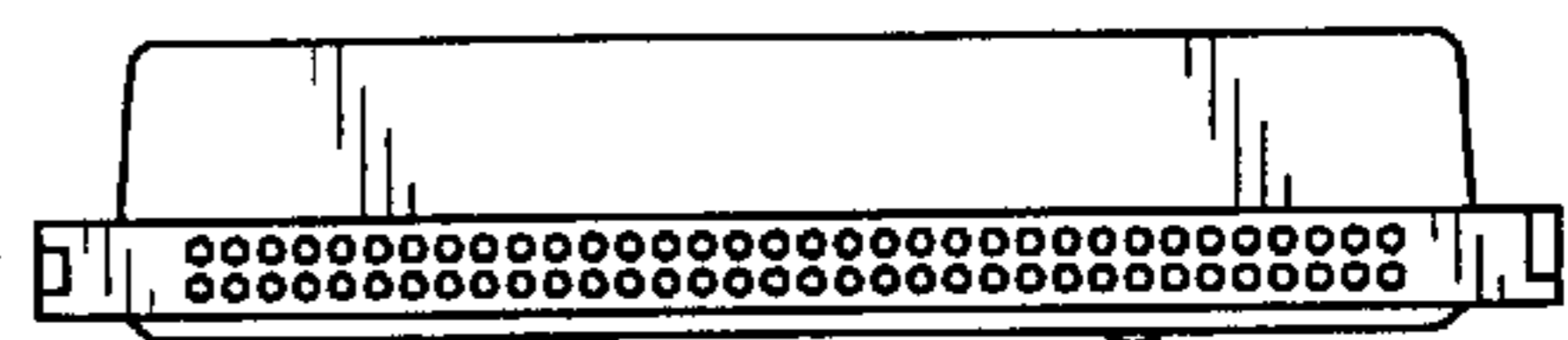


FIG. 6

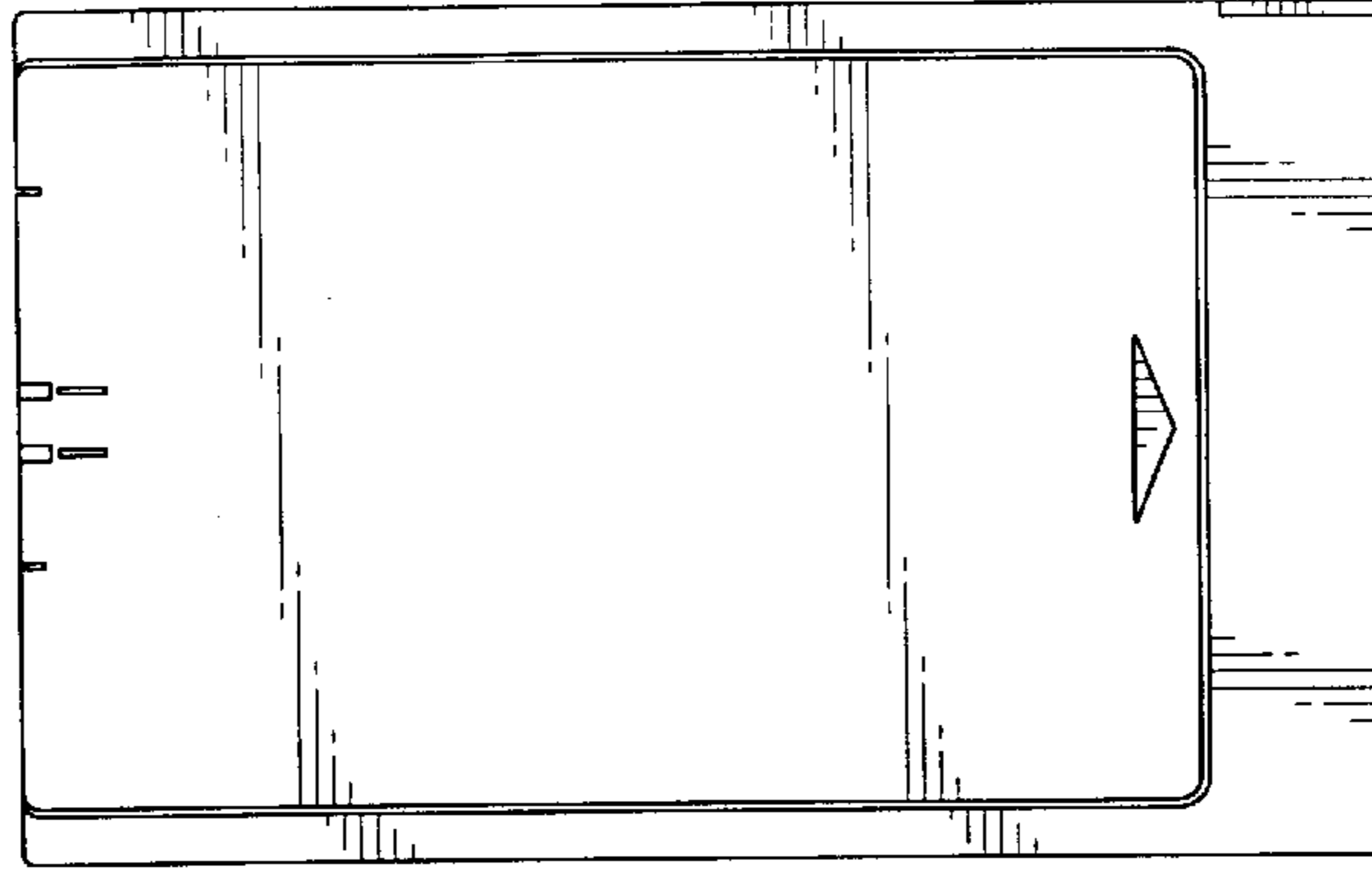


FIG. 7

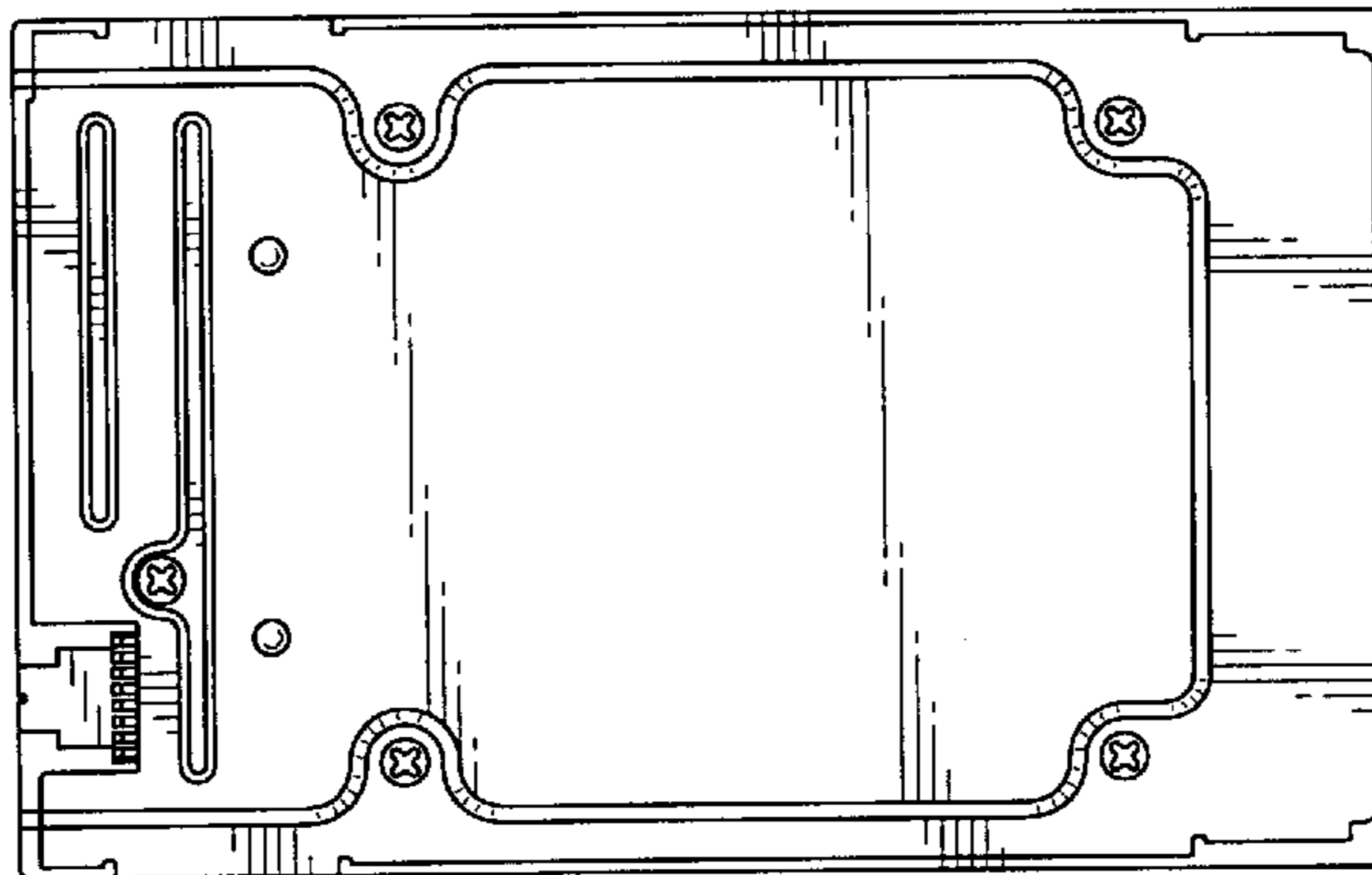


FIG. 8

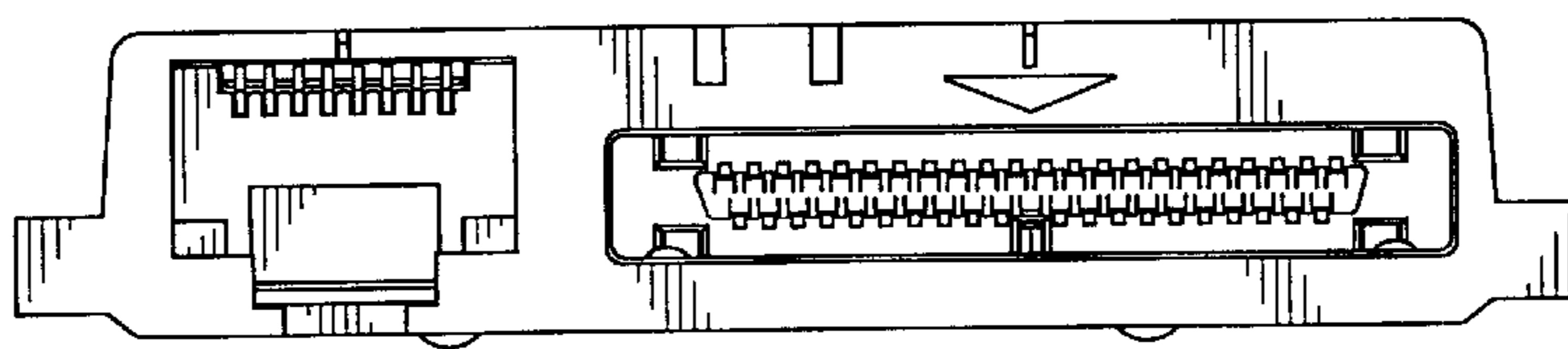
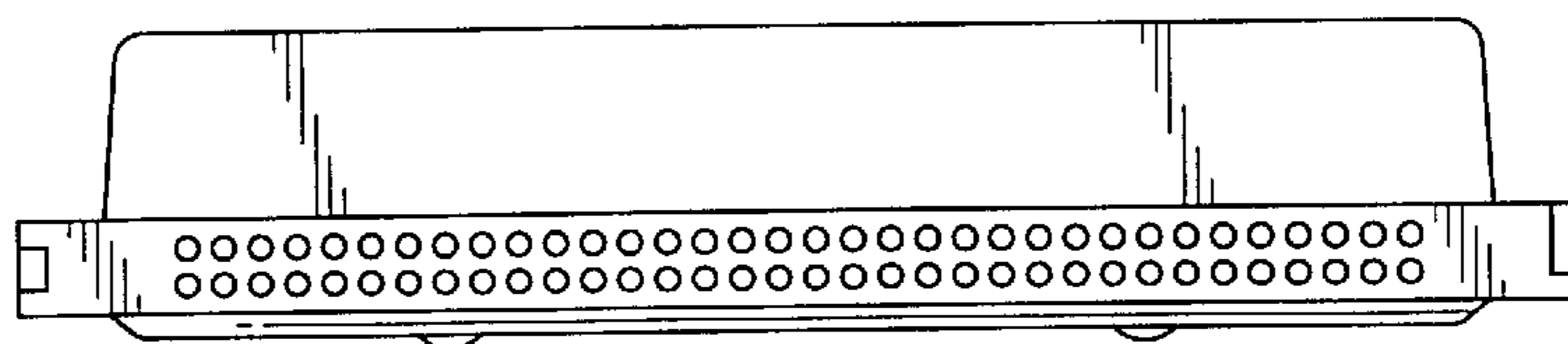


FIG. 9



UNITED STATES PATENT AND TRADEMARK OFFICE
CERTIFICATE OF CORRECTION

PATENT NO. : Des. 458,267 S
DATED : June 4, 2002
INVENTOR(S) : Teiyu Goto

Page 1 of 1

It is certified that error appears in the above-identified patent and that said Letters Patent is hereby corrected as shown below:

Title page,
Item [73], Assignee, should read:

-- **Sony Computer Entertainment Inc., Tokyo (JP)** --

Signed and Sealed this

Twenty-seventh Day of May, 2003

A handwritten signature in black ink, appearing to read "James E. Rogan", written over a horizontal line.

JAMES E. ROGAN
Director of the United States Patent and Trademark Office