



US00D458265S

(12) **United States Design Patent**
Fitch

(10) **Patent No.:** **US D458,265 S**

(45) **Date of Patent:** **** Jun. 4, 2002**

(54) **HAND HELD OPTICAL READER**

(75) Inventor: **Timothy R. Fitch**, Syracuse, NY (US)

(73) Assignee: **Hand Held Products, Inc.**, Skaneateles Falls, NY (US)

(**) Term: **14 Years**

(21) Appl. No.: **29/146,732**

(22) Filed: **Aug. 15, 2001**

Related U.S. Application Data

(60) Provisional application No. 60/288,176, filed on May 2, 2001.

(51) **LOC (7) Cl.** **14-02**

(52) **U.S. Cl.** **D14/429; D14/426**

(58) **Field of Search** D14/420-429,
D14/453; 235/375, 378, 385, 454, 462.15,
472.02, 486; 382/312-315, 318, 319, 321;
250/203.1; D26/37, 45, 50

(56) **References Cited**

U.S. PATENT DOCUMENTS

D308,865 S * 6/1990 Weaver et al. D14/428

D320,013 S * 9/1991 Siemiatkowski et al. .. D14/428
D334,922 S * 4/1993 Meyerson et al. D14/428
D337,316 S * 7/1993 Ruiten D14/426
5,414,251 A * 5/1995 Durbin 235/462
D394,855 S * 6/1998 Ahearn et al. D14/426

* cited by examiner

Primary Examiner—Kay H. Chin

(74) *Attorney, Agent, or Firm*—Wall Marjama & Bilinski LLP

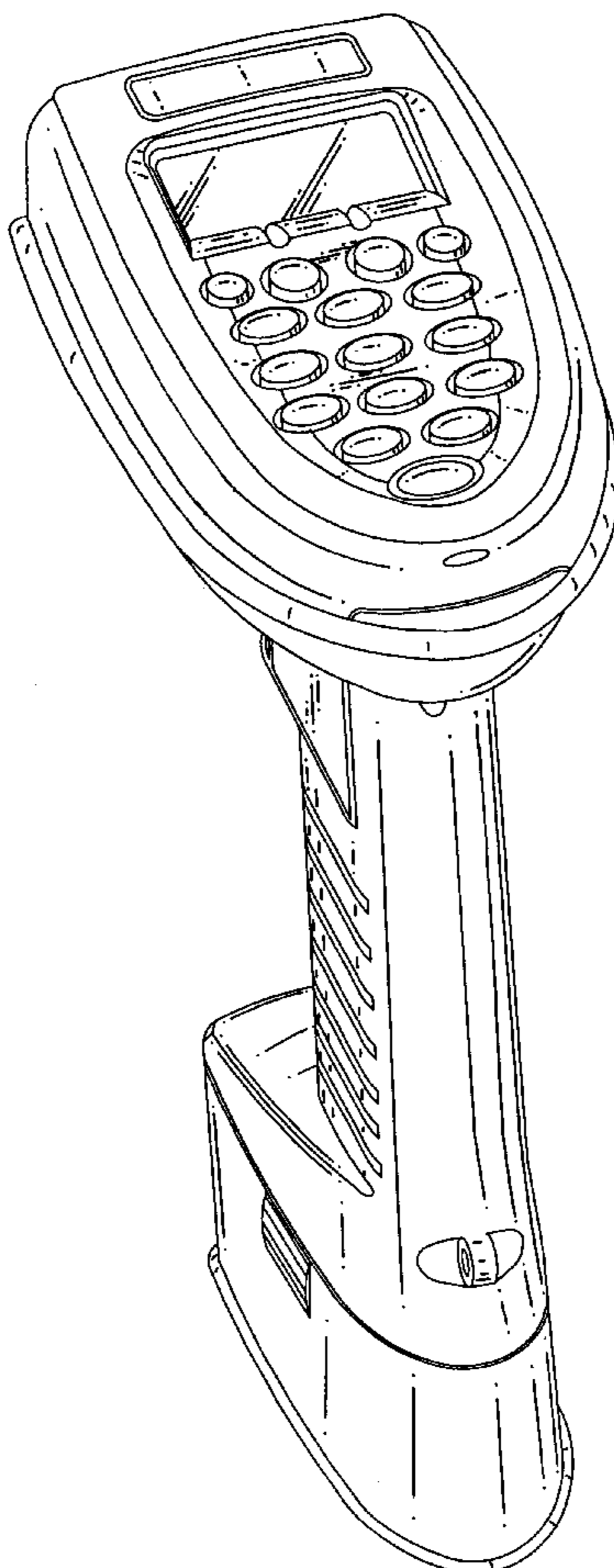
(57) **CLAIM**

The ornamental design for a hand held optical reader, as shown and described.

DESCRIPTION

FIG. 1 is a front perspective view of a hand held optical reader, illustrating my new Design;
FIG. 2 is a side elevation view thereof;
FIG. 3 is a front elevation view thereof;
FIG. 4 is a rear section view thereof;
FIG. 5 is a top view thereof; and,
FIG. 6 is a bottom view thereof.

1 Claim, 5 Drawing Sheets



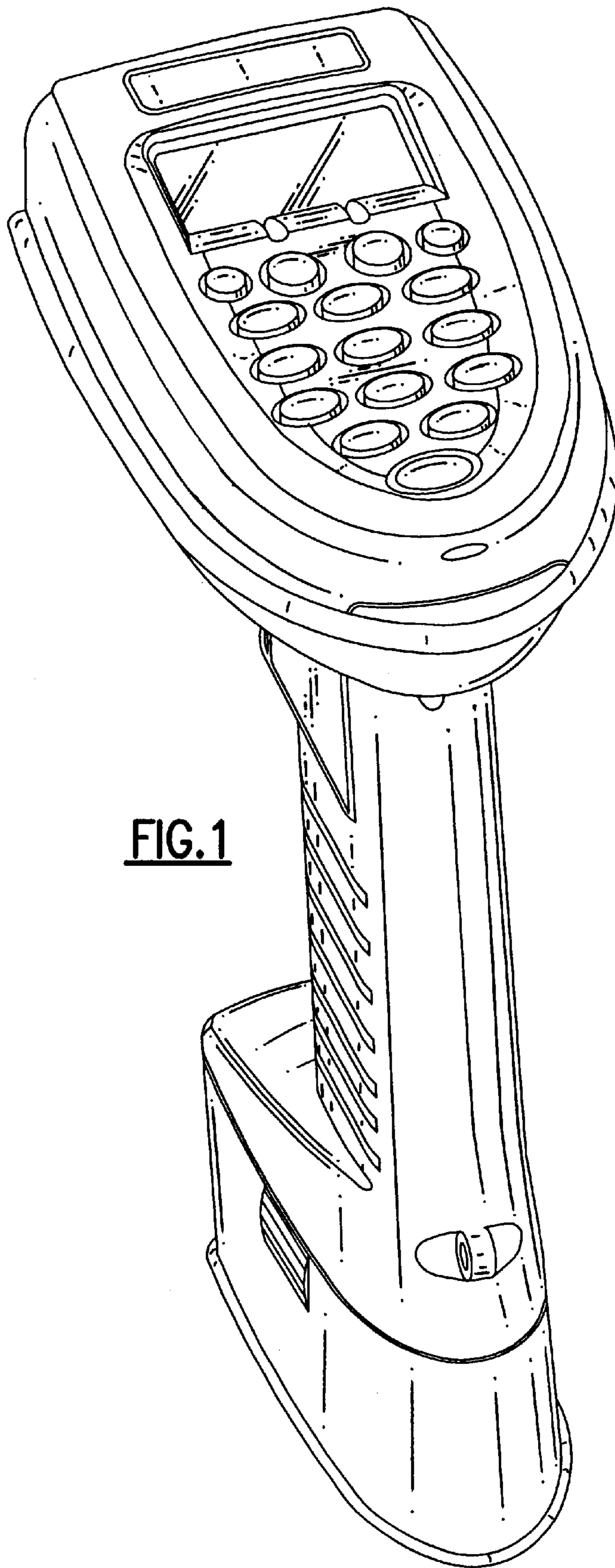


FIG. 1

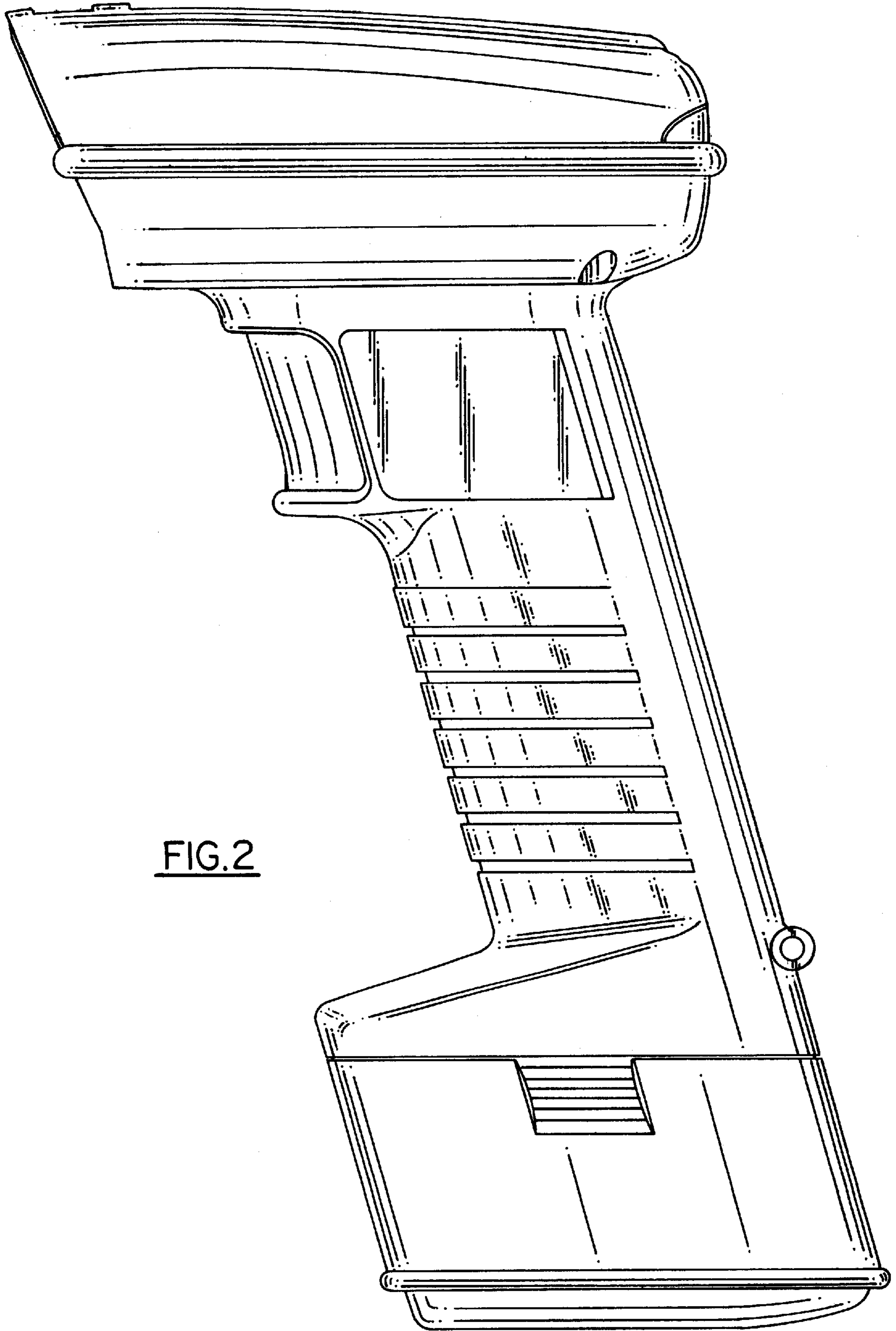


FIG. 2

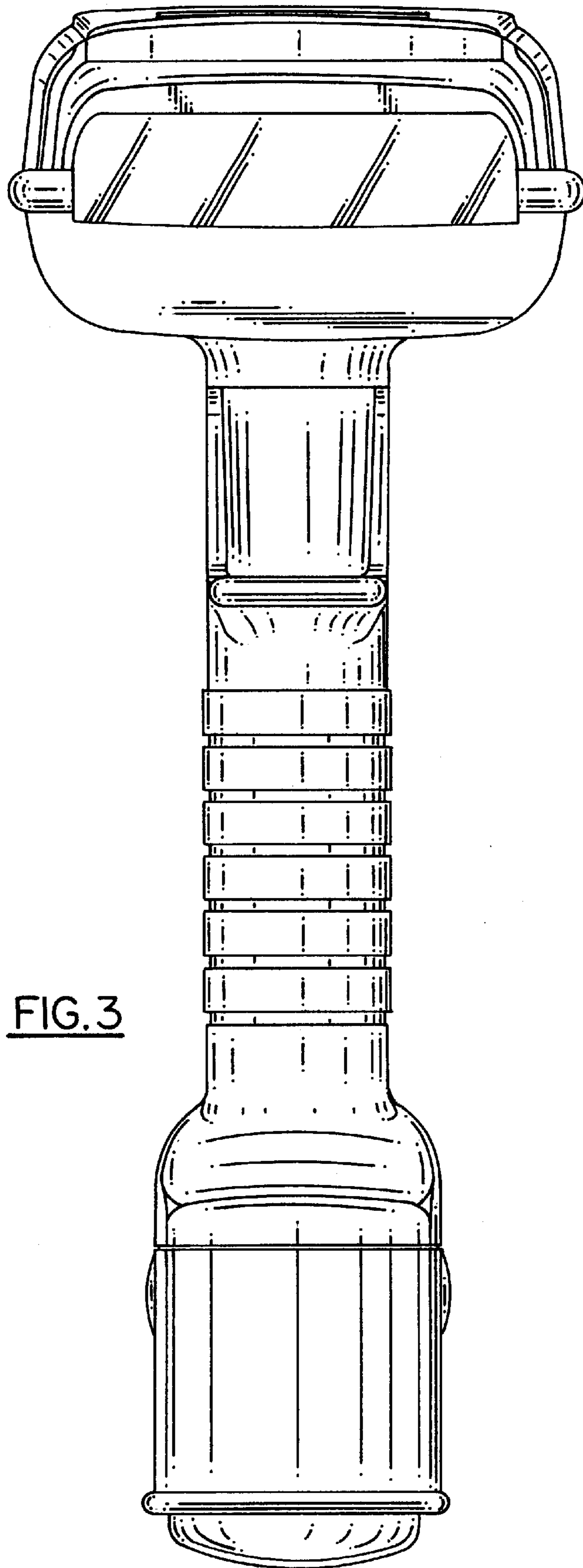


FIG. 3

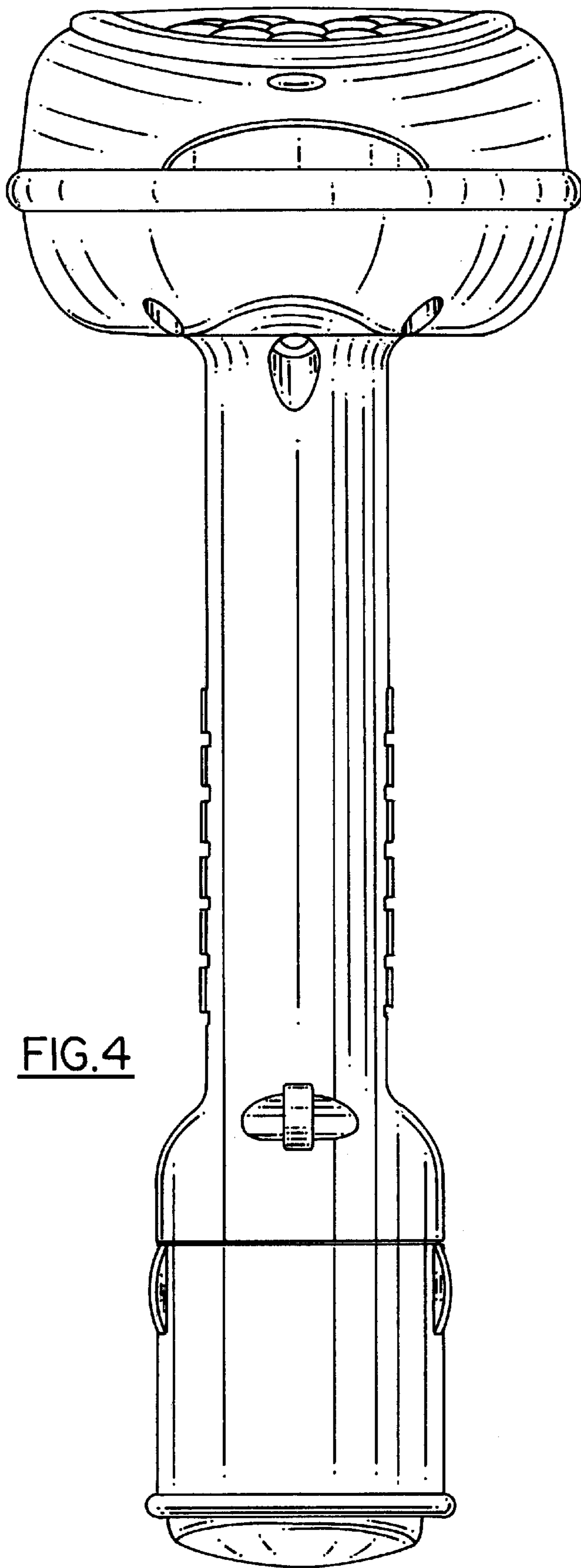


FIG. 4

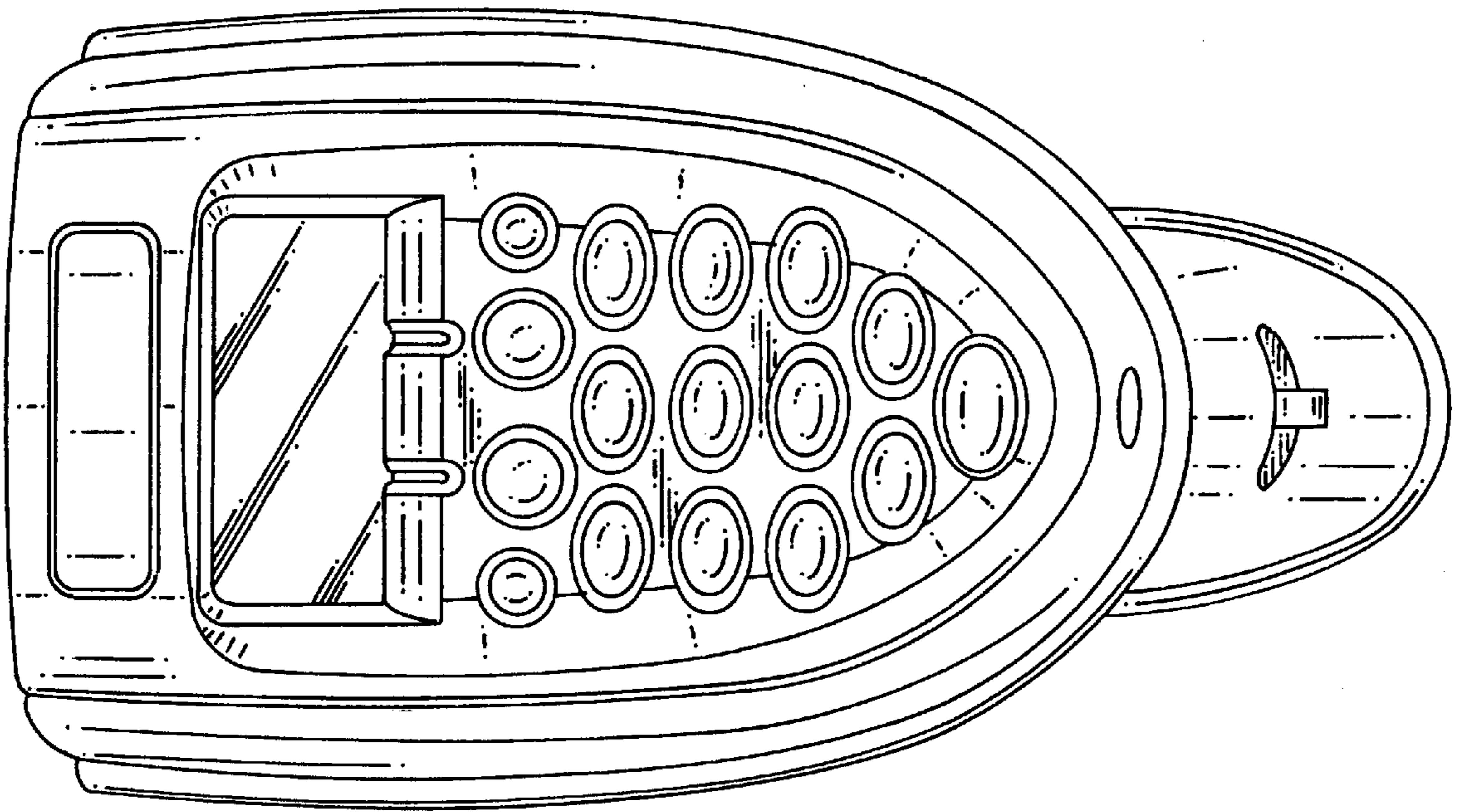


FIG. 5

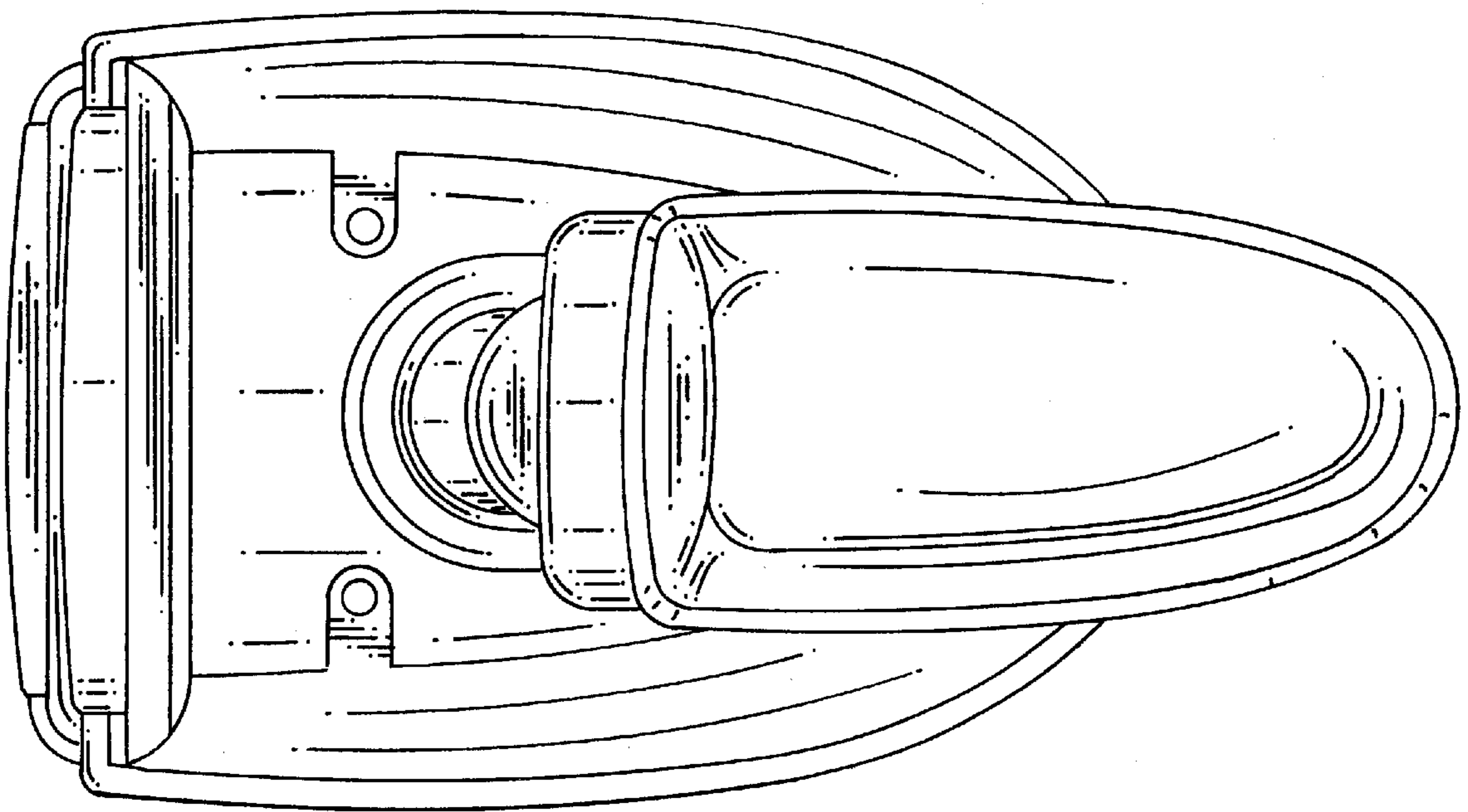


FIG. 6