



US00D458264S

(12) **United States Design Patent**
MacGregor

(10) **Patent No.:** **US D458,264 S**

(45) **Date of Patent:** **** Jun. 4, 2002**

(54) **SCANNER**

D428,400 S * 7/2000 Fahraeus et al. D14/426
D433,416 S * 11/2000 Strand et al. D14/426

(75) Inventor: **Shane MacGregor**, Forest Hills, NY
(US)

* cited by examiner

(73) Assignee: **Symbol Technologies, Inc.**, Holtsville,
NY (US)

Primary Examiner—Kay H. Chin

(74) *Attorney, Agent, or Firm*—Kirschstein, et al.

(**) Term: **14 Years**

(57) **CLAIM**

The ornamental design for a scanner, as shown and described.

(21) Appl. No.: **29/148,898**

(22) Filed: **Sep. 28, 2001**

DESCRIPTION

(51) **LOC (7) Cl.** **14-02**

FIG. 1 is a perspective view of a scanner showing my new design;

(52) **U.S. Cl.** **D14/426; D14/420**

FIG. 2 is a rear elevational view thereof;

(58) **Field of Search** D14/420-429,

FIG. 3 is a top plan view thereof;

D14/453; 235/375, 378, 385, 454, 462.15,

FIG. 4 is a bottom plan view thereof;

472.02, 486; 382/312-315, 318, 319, 321;

FIG. 5 is a front elevational view thereof; and,

250/203.1; D26/37, 45, 50

FIG. 6 is a side elevational view thereof, the opposite side elevational view being a mirror image.

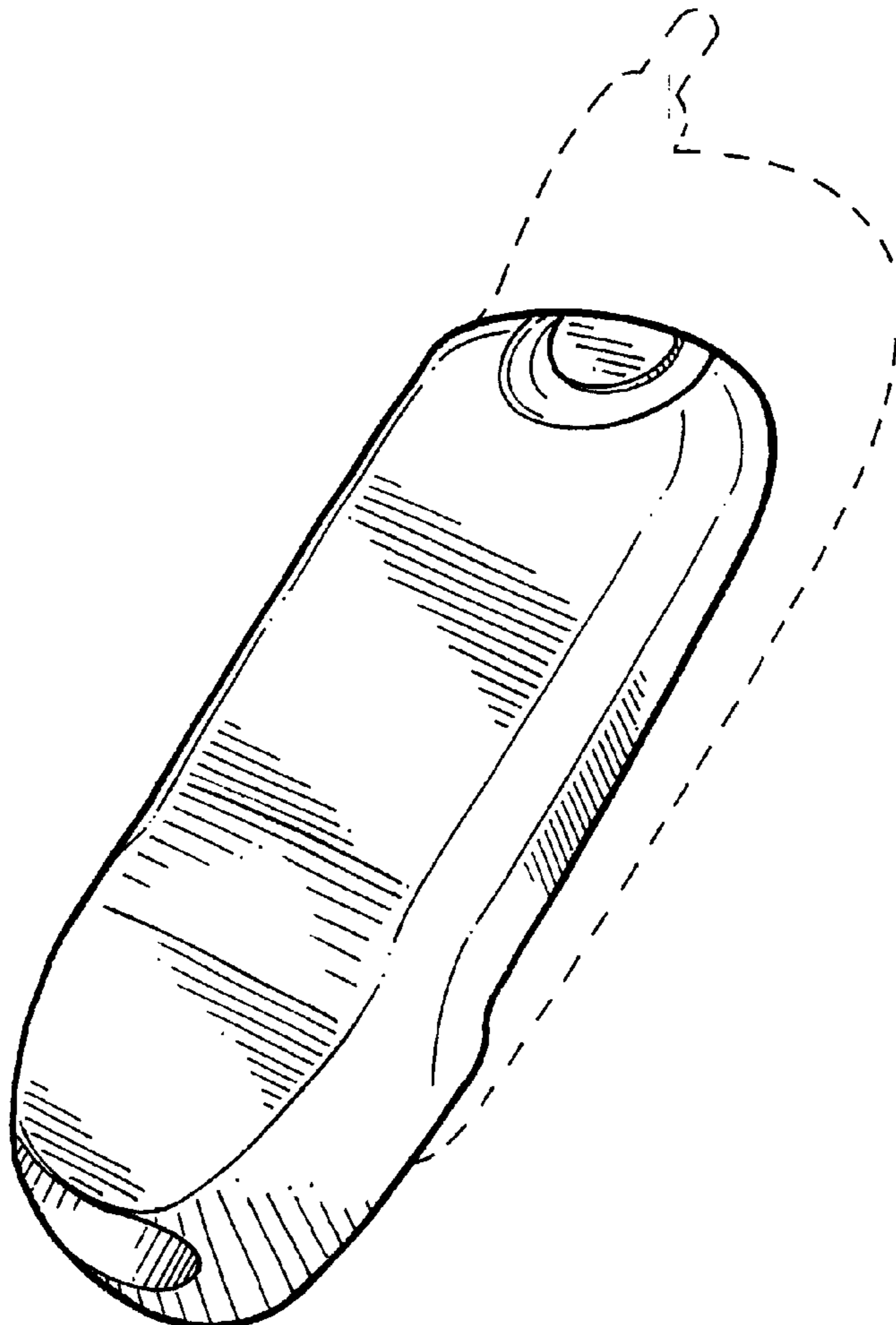
(56) **References Cited**

The phantom lines throughout the drawings depict a cellular telephone and are provided for environmental purposes and form no part of this design.

U.S. PATENT DOCUMENTS

D352,939 S * 11/1994 Karlin D14/420
D426,240 S * 6/2000 Senda D14/420

1 Claim, 6 Drawing Sheets



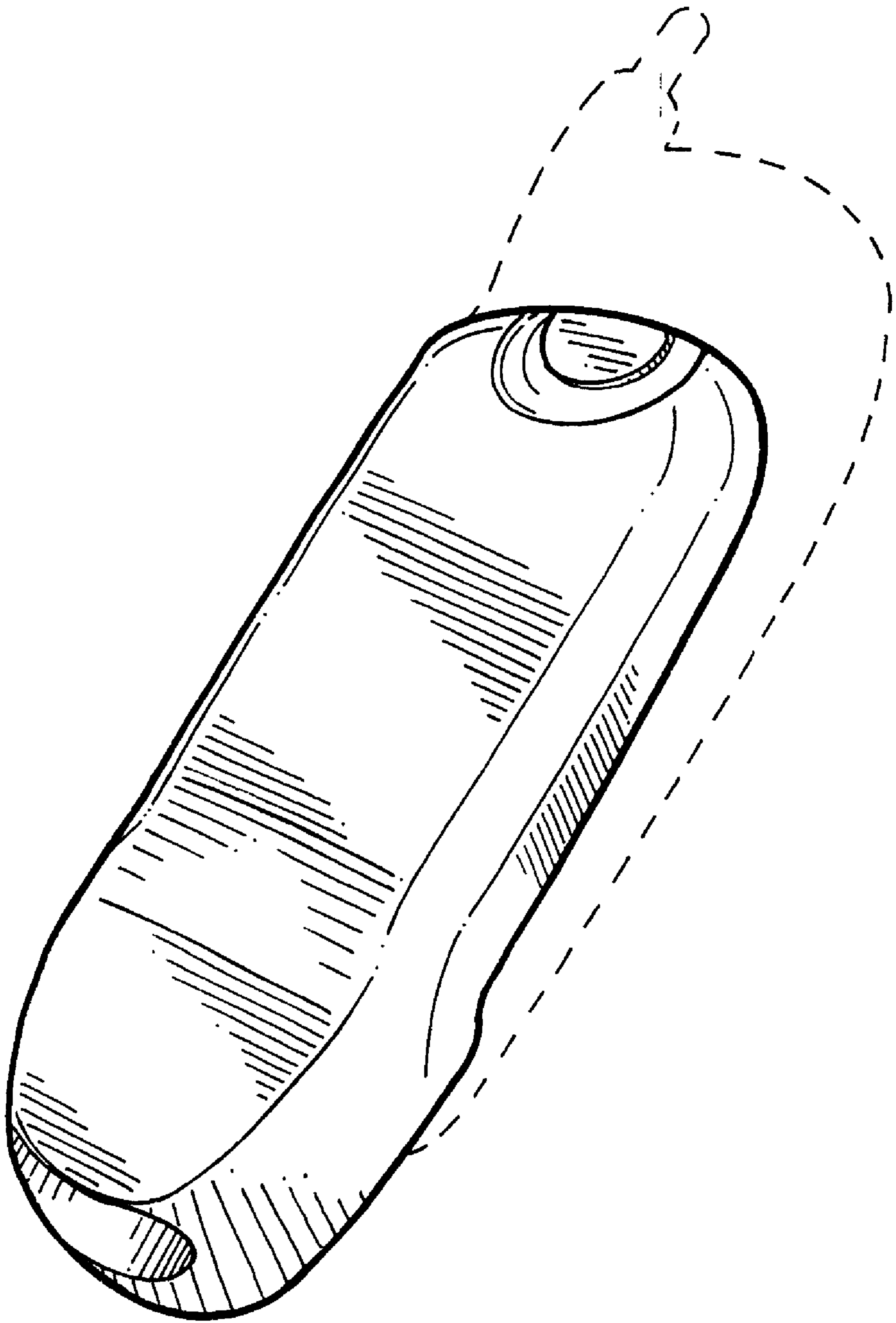


FIG. 1

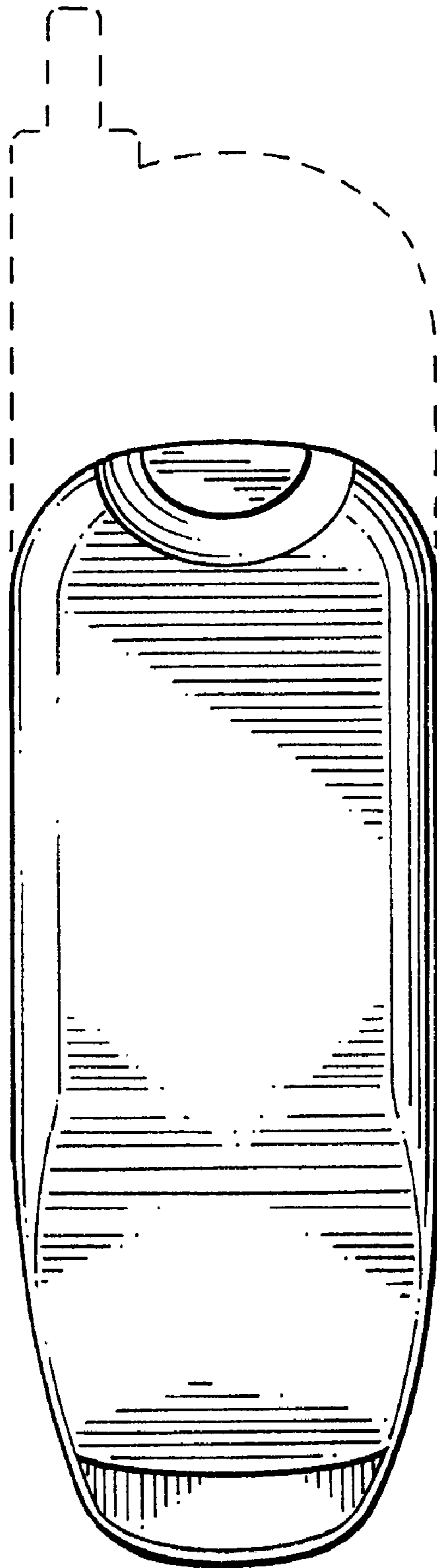


FIG. 2

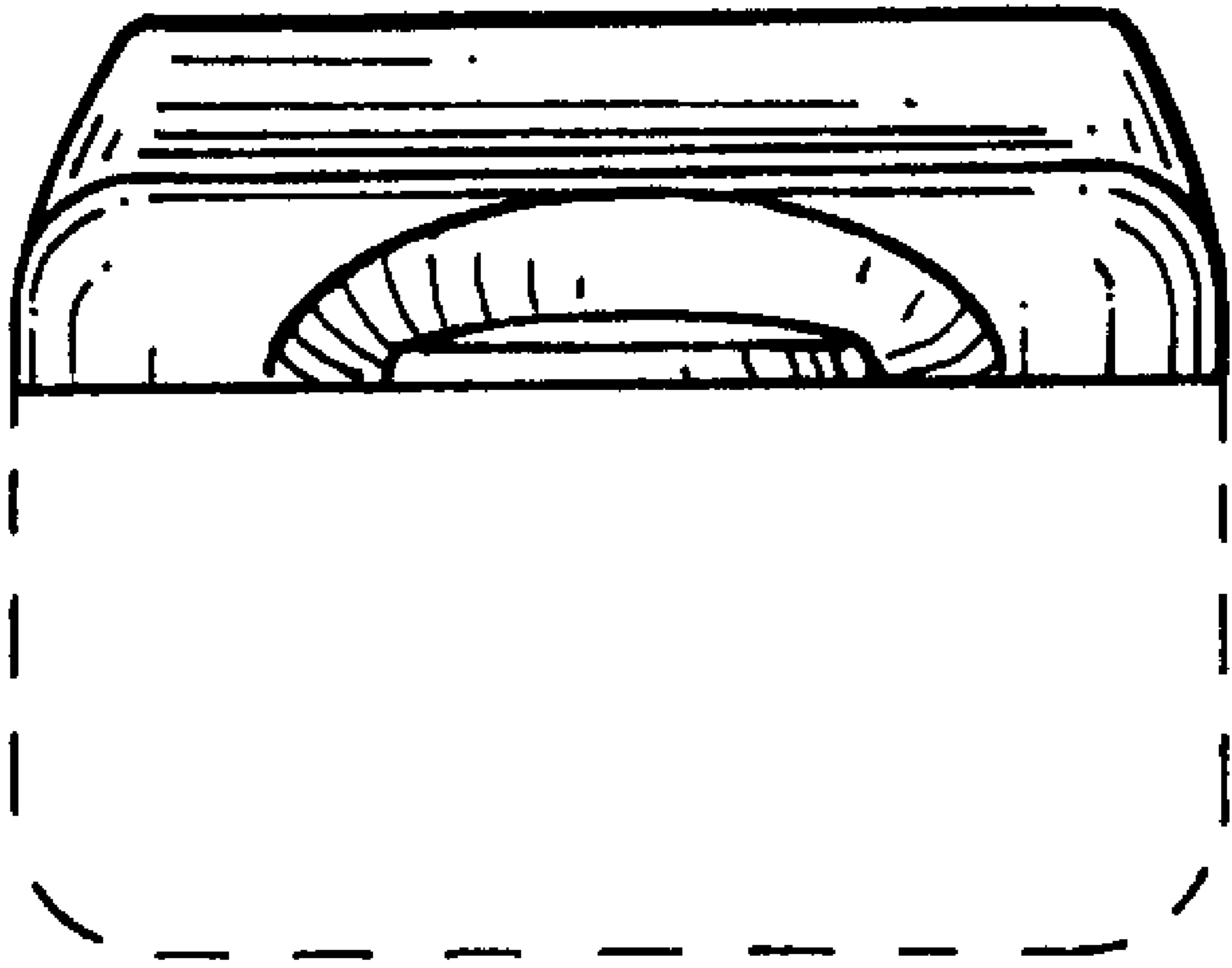


FIG. 3

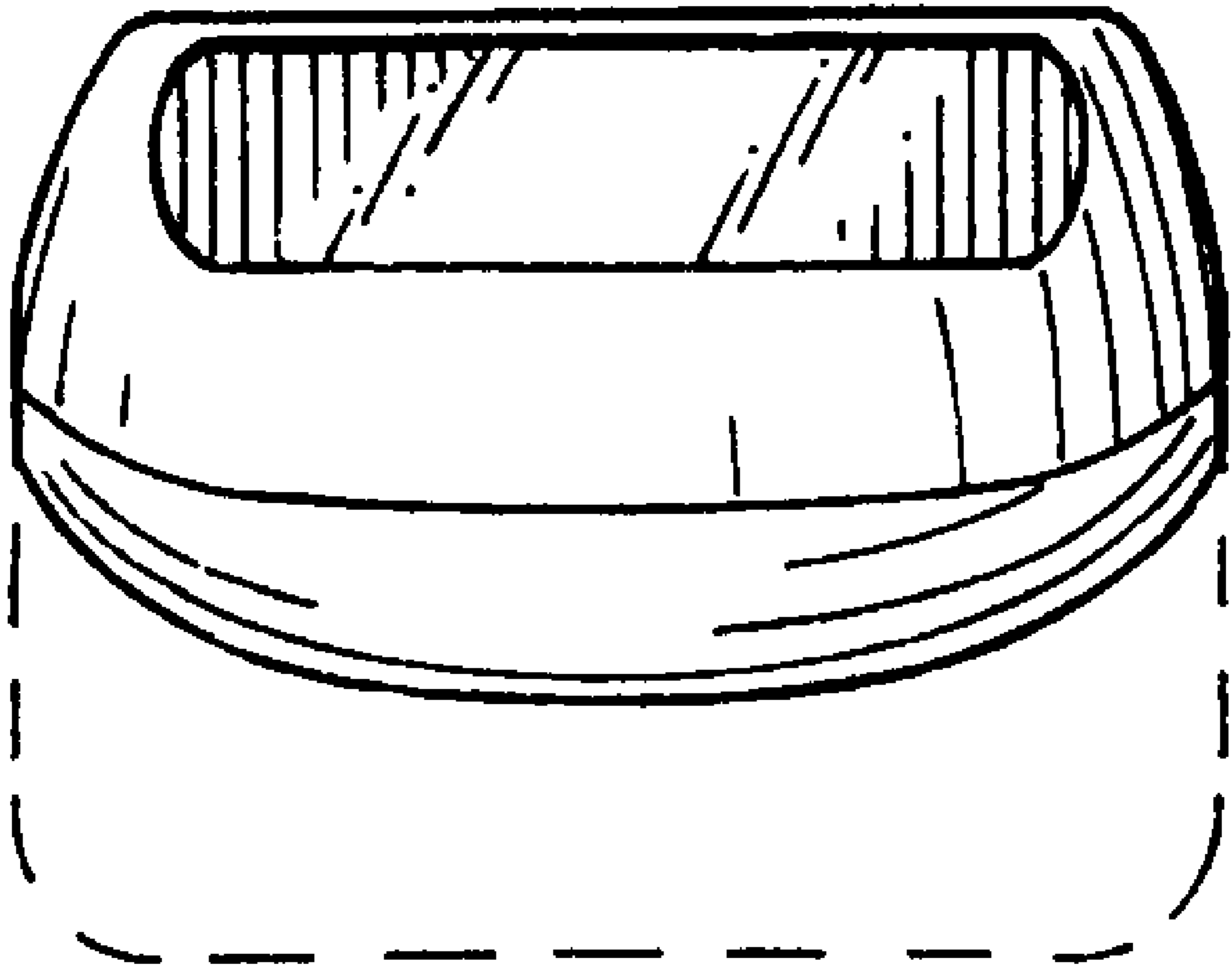


FIG. 4

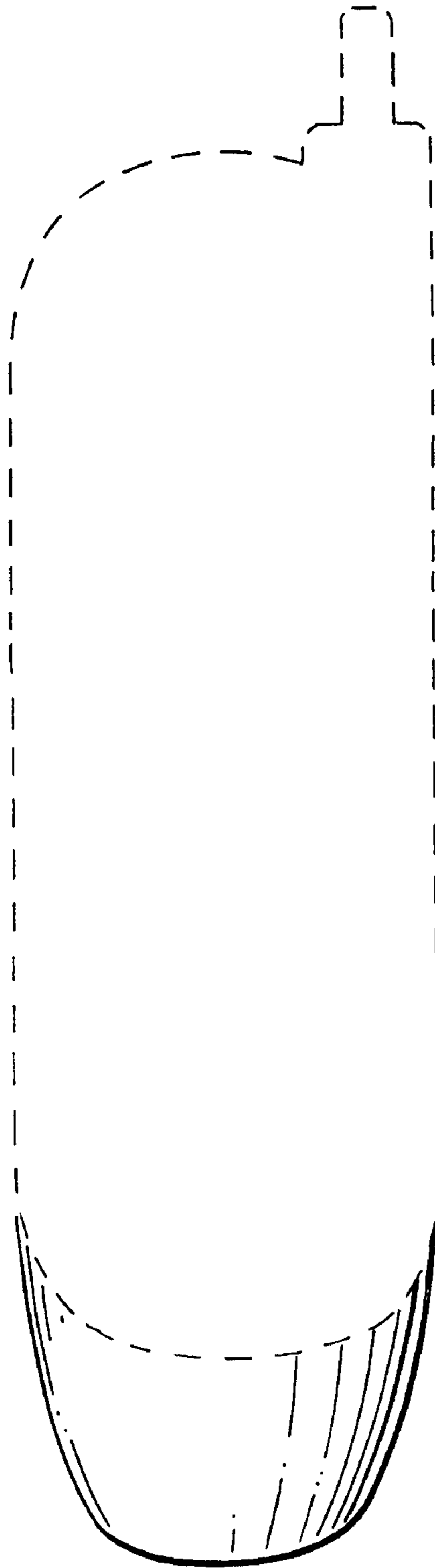


FIG. 5

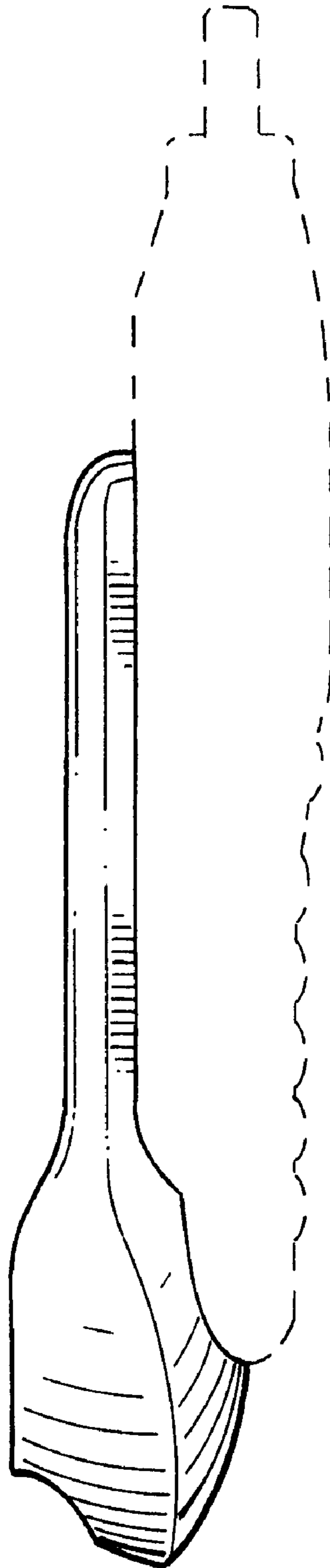


FIG. 6