



US00D458255S

(12) **United States Design Patent**
Hsu

(10) **Patent No.:** **US D458,255 S**

(45) **Date of Patent:** **** Jun. 4, 2002**

(54) **DUAL SCREEN TOUCH POINT OF SALE DEVICE**

(75) **Inventor:** **Ming-Jer Hsu, Hsi-Chih (TW)**

(73) **Assignee:** **Firich Enterprises Co., Ltd., Taipei Hsien (TW)**

(**) **Term:** **14 Years**

(21) **Appl. No.:** **29/142,582**

(22) **Filed:** **May 31, 2001**

(51) **LOC (7) Cl.** **14-02**

(52) **U.S. Cl.** **D14/373; D18/4.5**

(58) **Field of Search** **D14/371, 373, D14/125-129, 240, 151, 341, 337; D18/4.5; 345/104, 156, 168, 173; 348/180, 184, 325, 739; 248/917-924; 341/12; 349/1, 2, 11, 62**

(56) **References Cited**

U.S. PATENT DOCUMENTS

- D304,338 S * 10/1989 Sermon D14/240
- D323,657 S * 2/1992 Danielson et al. D14/151
- D359,952 S * 7/1995 Cox et al. D18/4.5

- D360,196 S * 7/1995 Cox et al. D18/4.5
- D373,576 S * 9/1996 Liggett D14/341
- D389,813 S * 1/1998 Itoh D18/4.5
- D424,098 S * 5/2000 Kim D18/4.5
- D428,863 S * 8/2000 Rahemtulla et al. D14/337

* cited by examiner

Primary Examiner—Freda Nunn

(74) *Attorney, Agent, or Firm*—Bacon & Thomas, PLLC

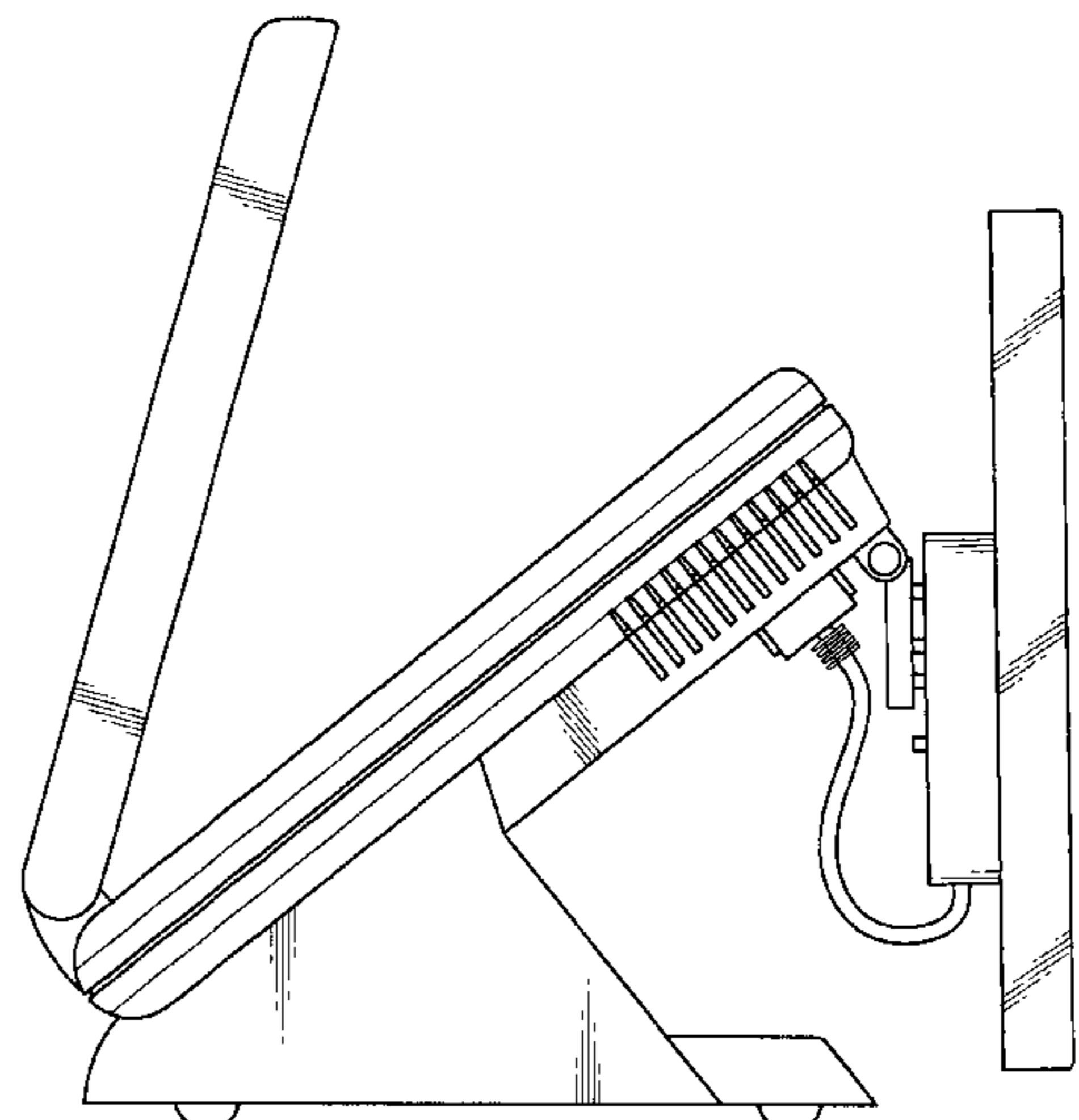
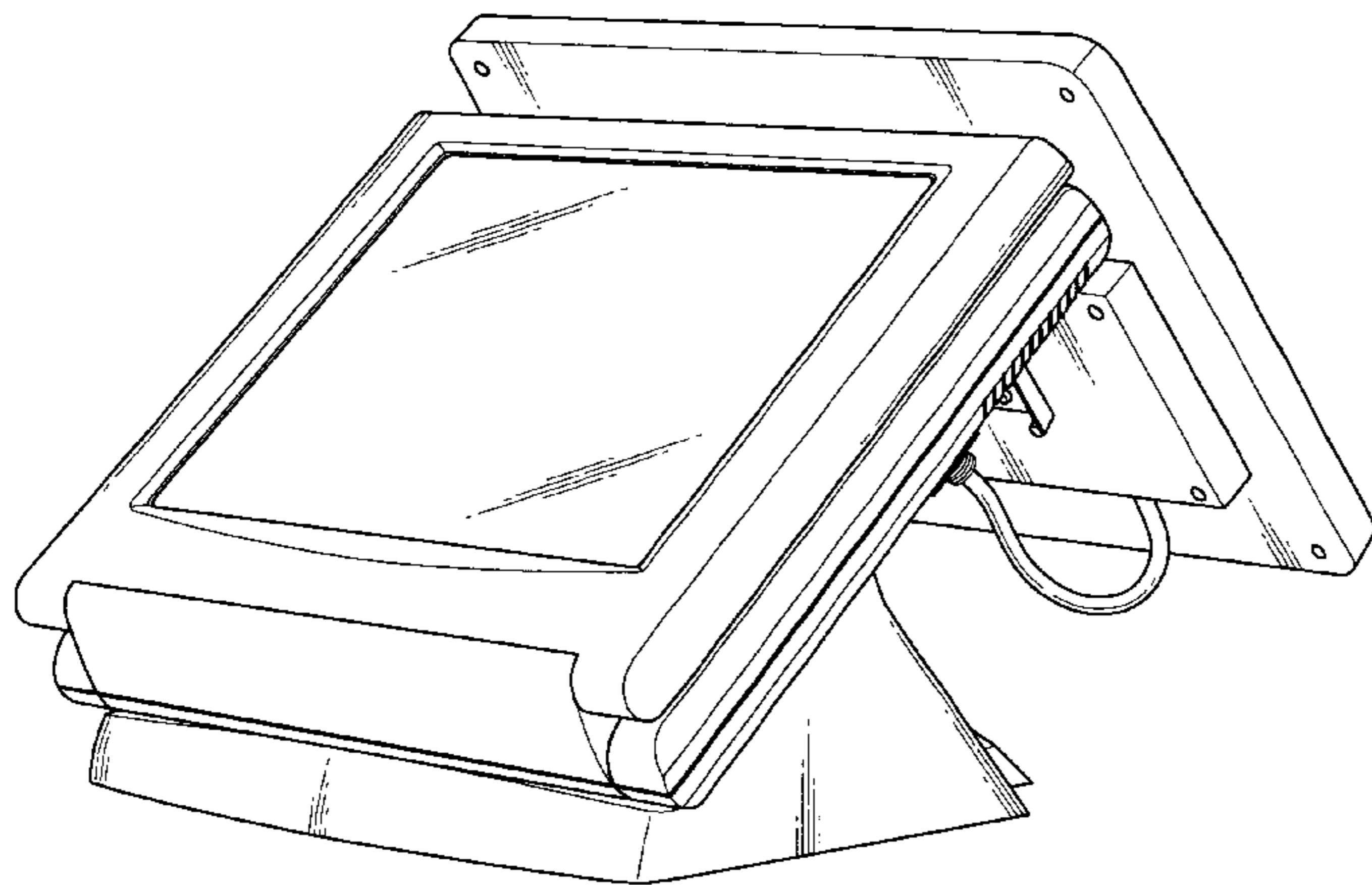
(57) **CLAIM**

The ornamental design for dual screen touch point of sale device, as shown and described.

DESCRIPTION

FIG. 1 is a perspective view of dual screen touch point of sale device showing our new design thereof;
 FIG. 2 is a right side elevational view thereof;
 FIG. 3 is a top plan view thereof;
 FIG. 4 is a front elevational view thereof;
 FIG. 5 is a bottom plan view thereof;
 FIG. 6 is a left side elevational view thereof;
 FIG. 7 is a rear elevational view thereof; and,
 FIG. 8 is a reference showing the operation condition of this design.

1 Claim, 8 Drawing Sheets



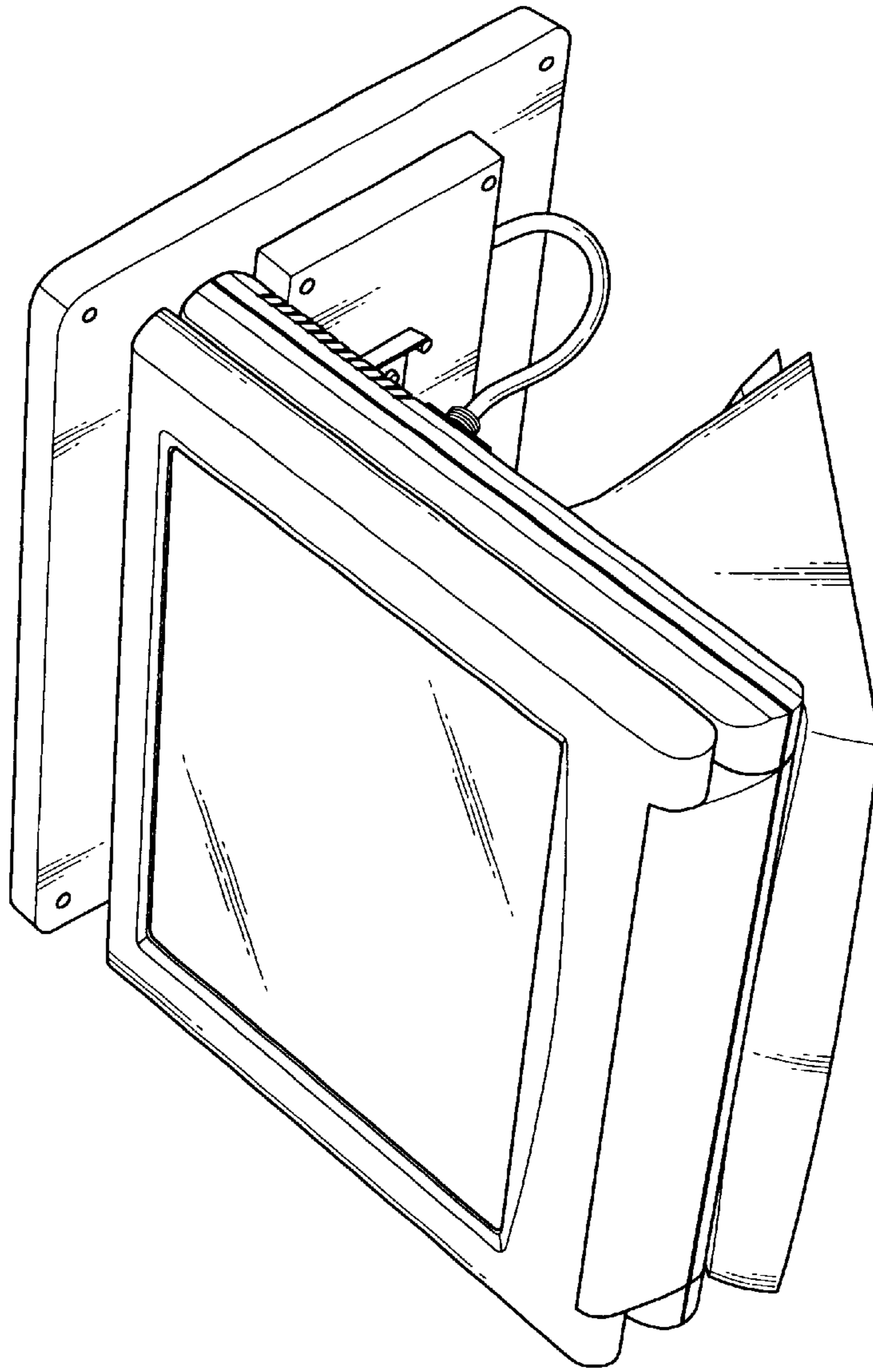


Fig. 1

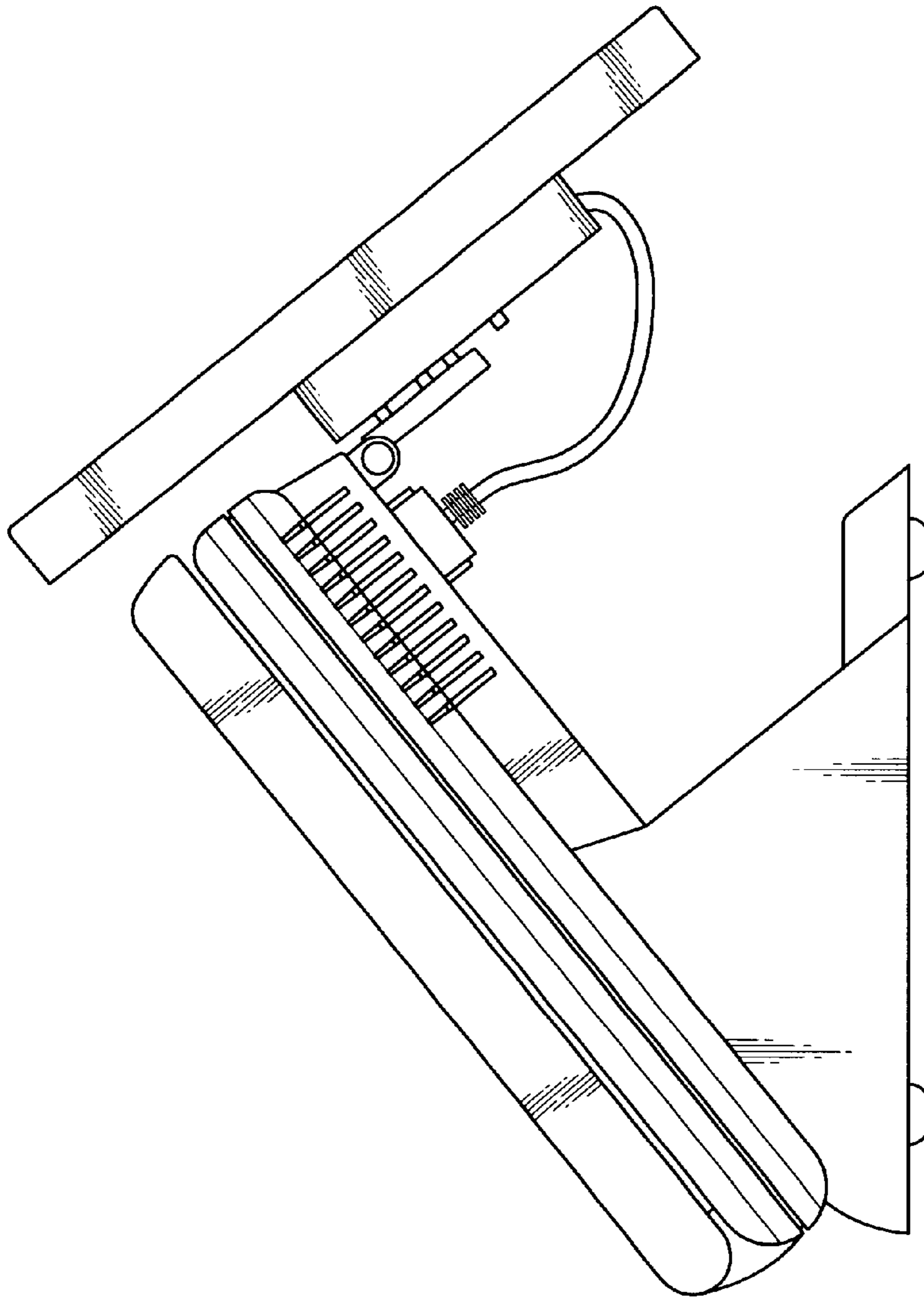


Fig. 2

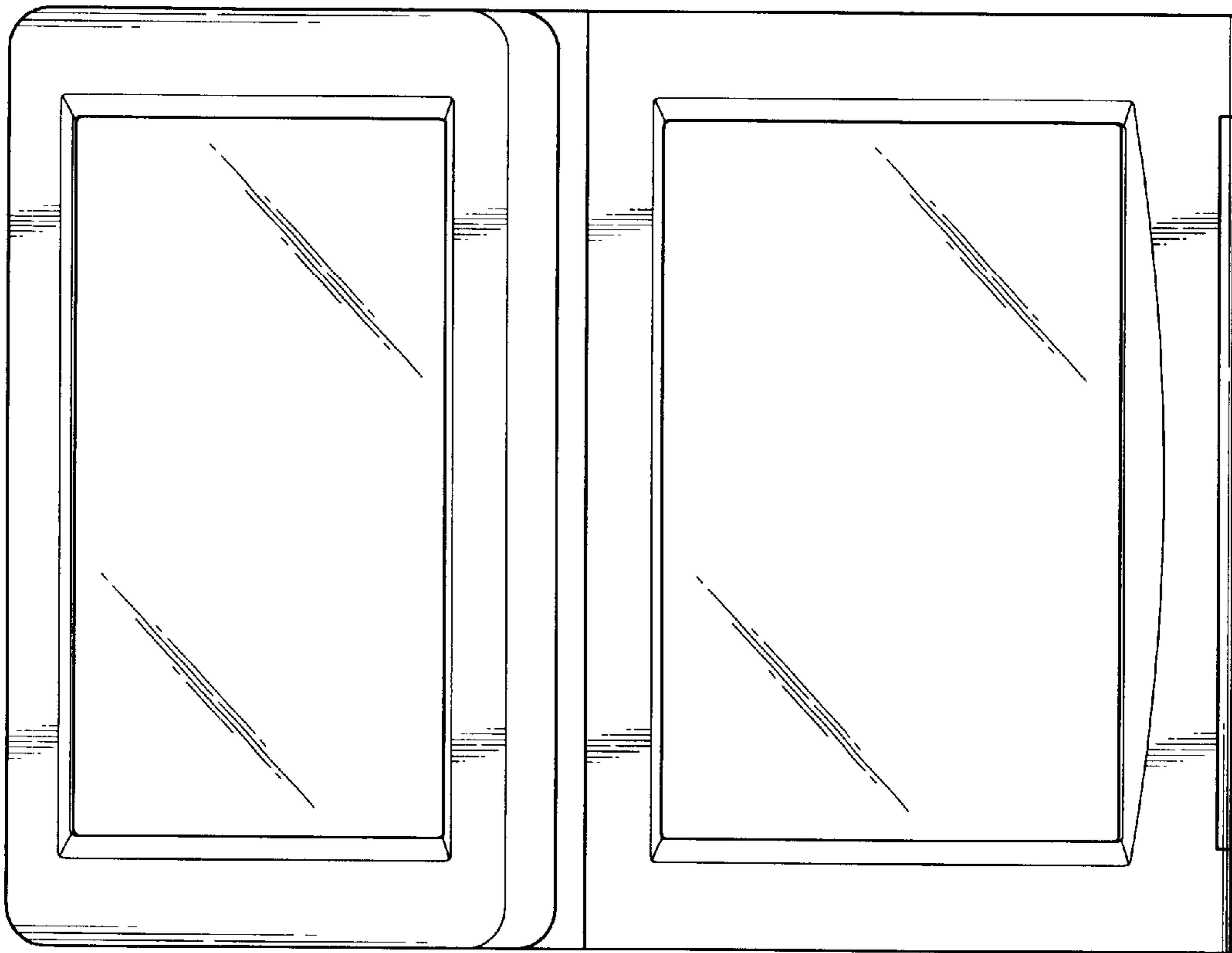


Fig. 3

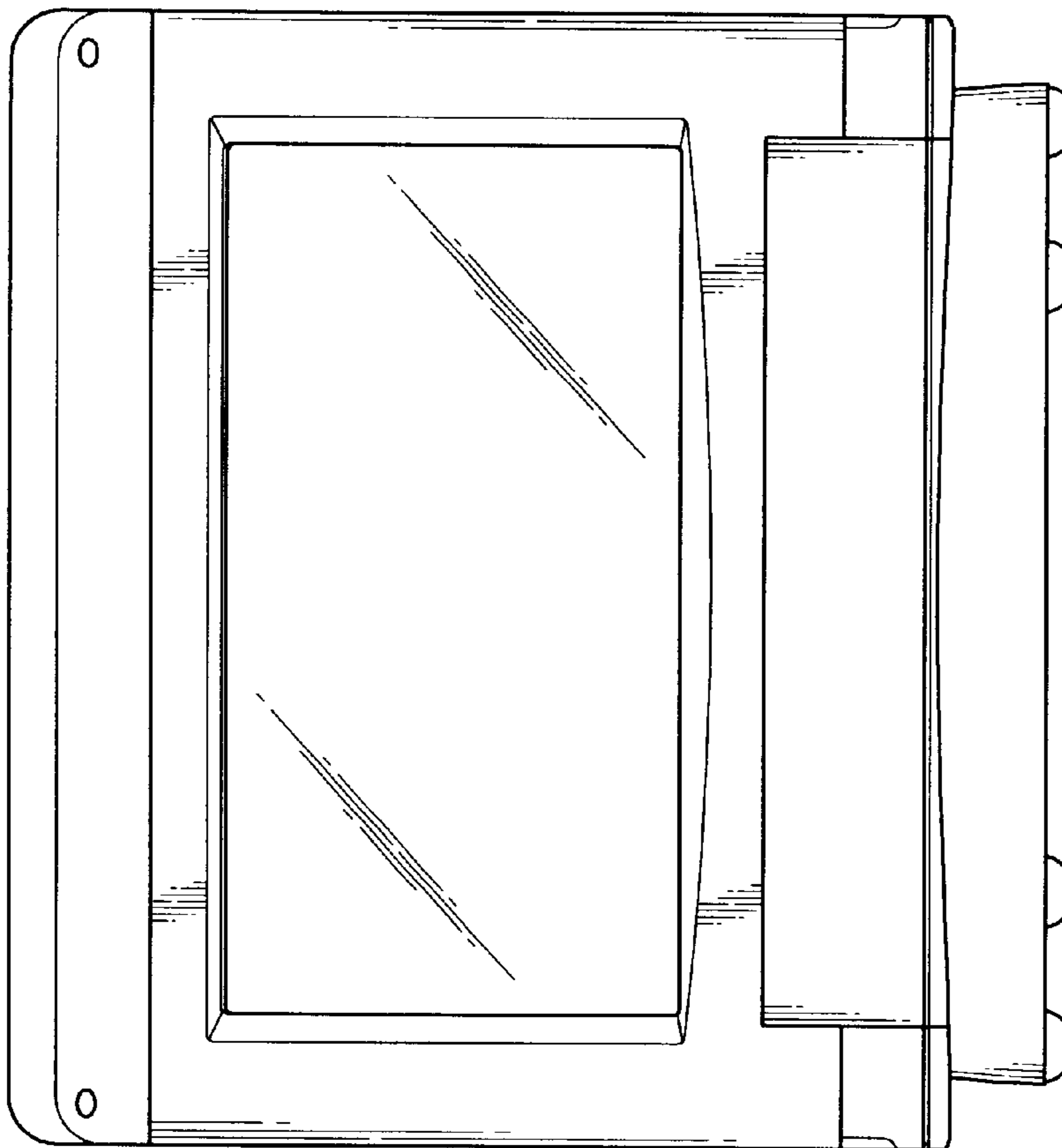


Fig. 4

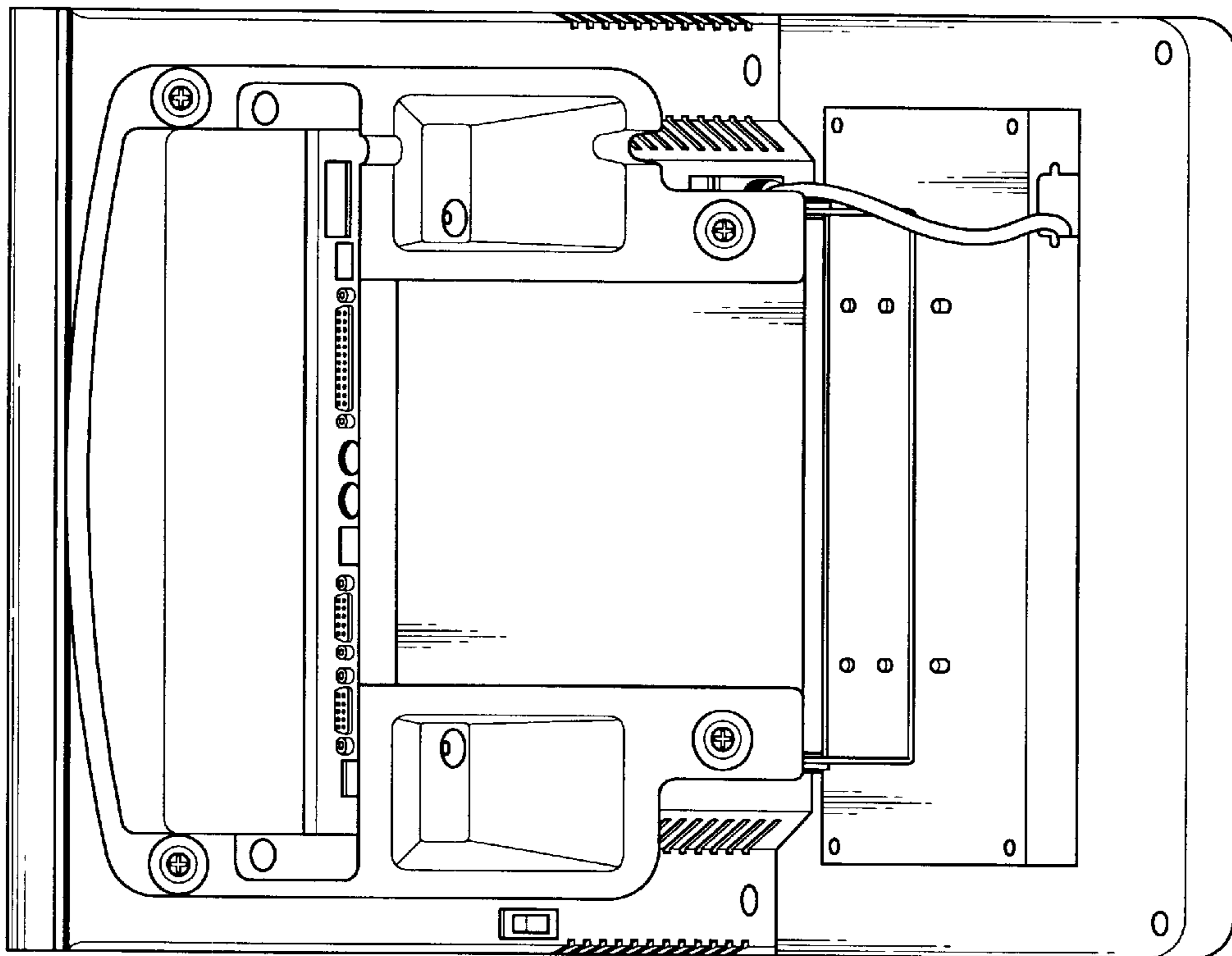


Fig. 5

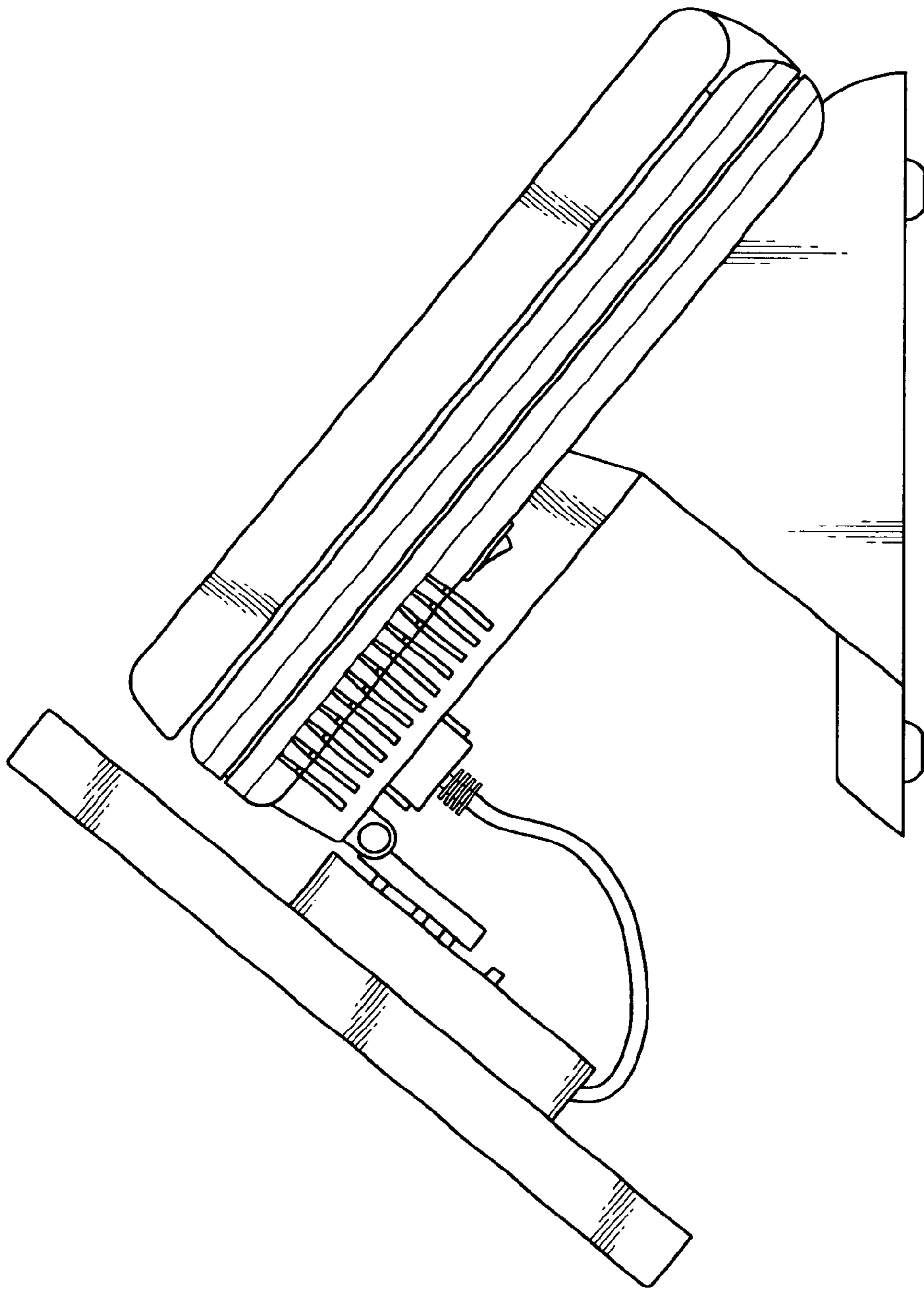


Fig. 6

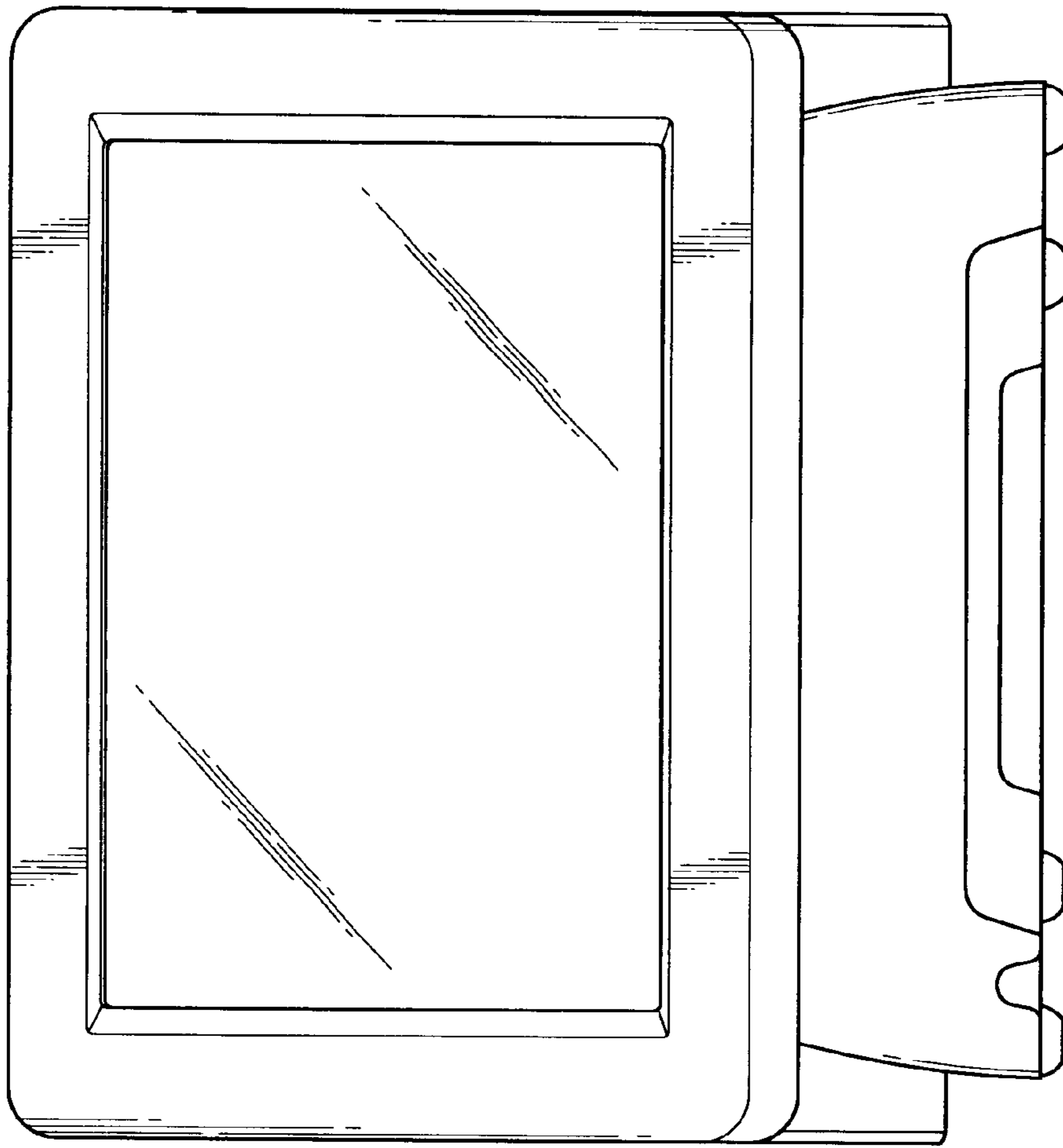


Fig. 7

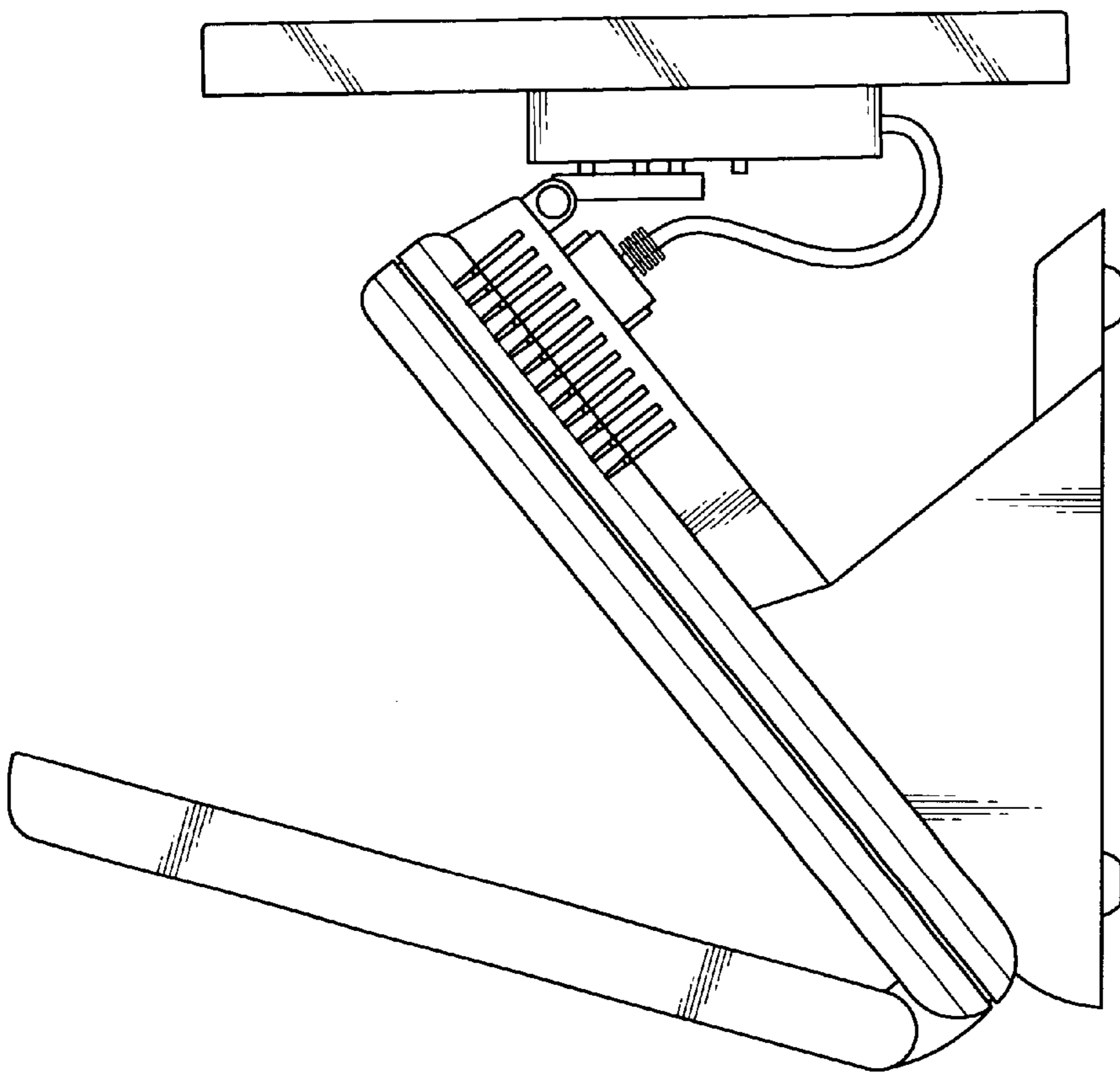


Fig. 8