



US00D458242S

(12) **United States Design Patent**
Ito et al.

(10) **Patent No.:** **US D458,242 S**
(45) **Date of Patent:** **** Jun. 4, 2002**

- (54) **DIGITAL AUDIO DISC PLAYER**
- (75) Inventors: **Masafumi Ito; Shigeru Hasegawa,**
both of Musashino (JP)
- (73) Assignee: **Teac Corporation, Tokyo (JP)**
- (**) Term: **14 Years**
- (21) Appl. No.: **29/137,161**
- (22) Filed: **Feb. 14, 2001**
- (30) **Foreign Application Priority Data**
Aug. 16, 2000 (JP) 2000-022553
- (51) **LOC (7) Cl.** **14-01**
- (52) **U.S. Cl.** **D14/156**
- (58) **Field of Search** D14/135, 136,
D14/156, 157, 160, 167-168; 369/75.1,
75.2, 77.1, 77.2
- (56) **References Cited**
U.S. PATENT DOCUMENTS
D279,000 S * 5/1985 Sarges D14/157

- 5,650,891 A * 7/1997 Thayne et al. 369/77.2 X
- D415,758 S * 10/1999 Ito et al. D14/156
- D425,061 S * 5/2000 Ito et al. D14/156
- D427,989 S * 7/2000 Ito et al. D14/156

* cited by examiner

Primary Examiner—Nanda Bondade
(74) *Attorney, Agent, or Firm*—Ladas & Parry

(57) **CLAIM**

The ornamental design for a digital audio disc player, as shown and described.

DESCRIPTION

FIG. 1 is a perspective view of a digital audio disc player showing our new design;
FIG. 2 is a front view thereof;
FIG. 3 is a top view thereof;
FIG. 4 is a rear view thereof;
FIG. 5 is a bottom view thereof;
FIG. 6 is a right side view thereof; and,
FIG. 7 is a left side view thereof.

1 Claim, 3 Drawing Sheets

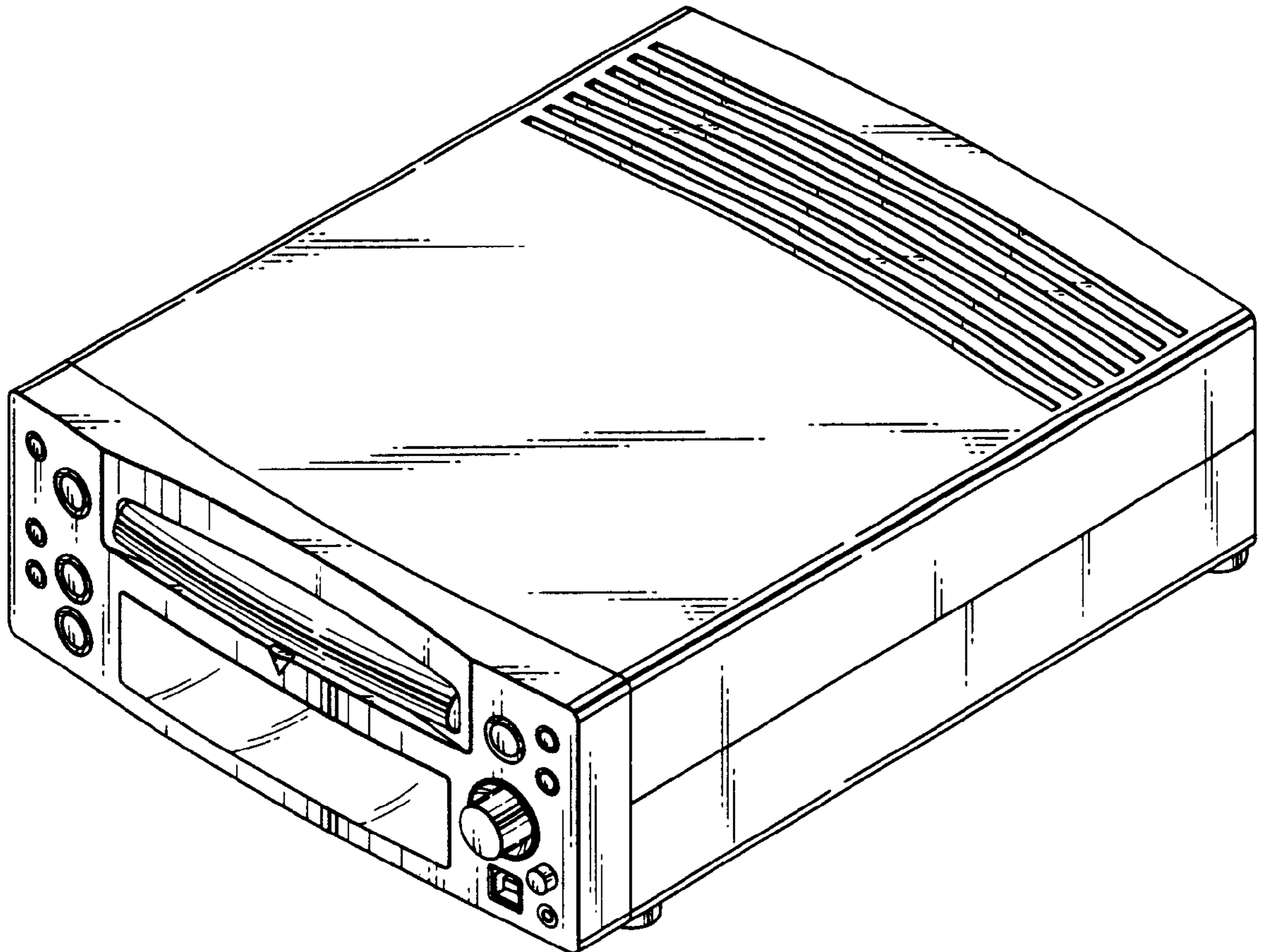


FIG. 1

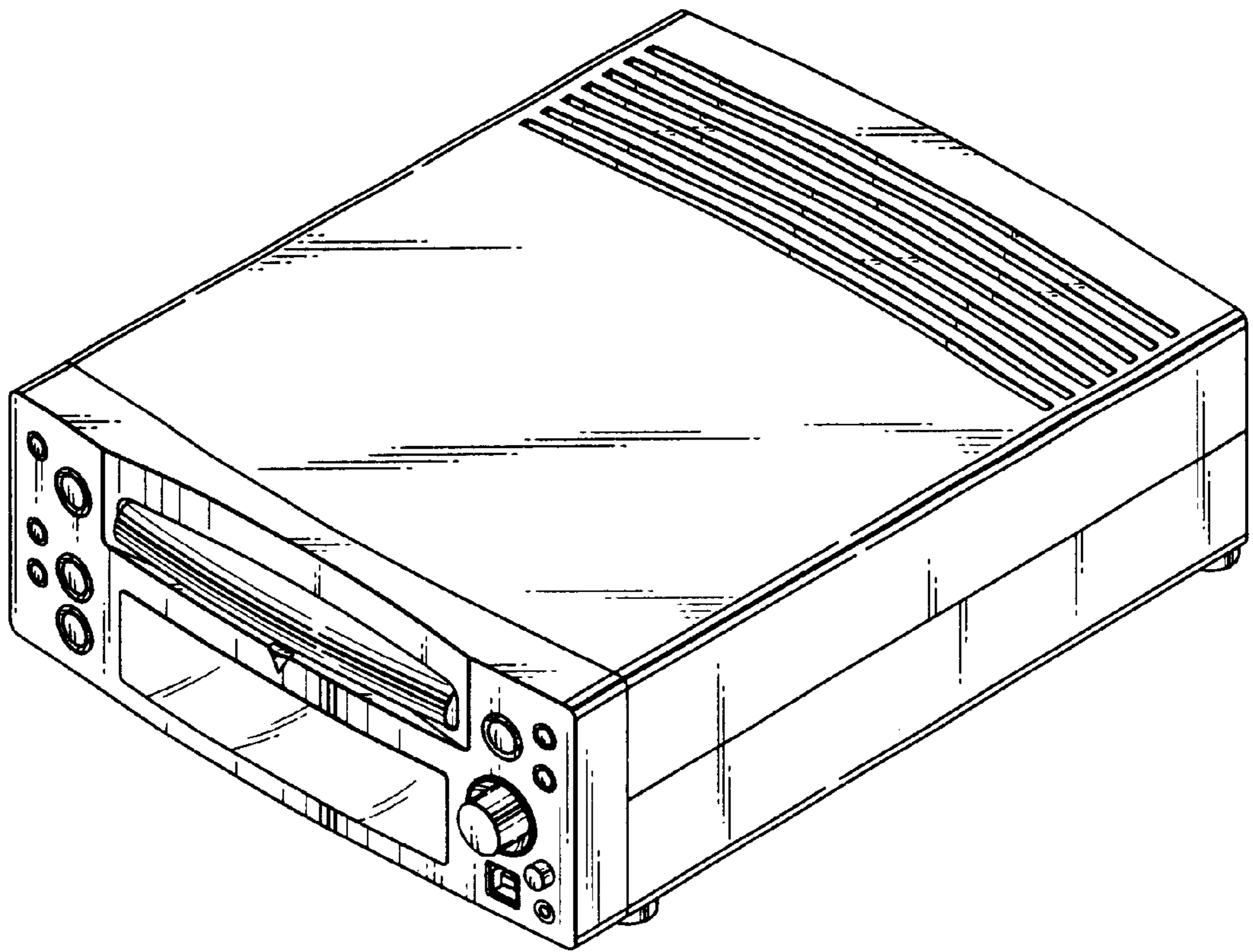


FIG.2

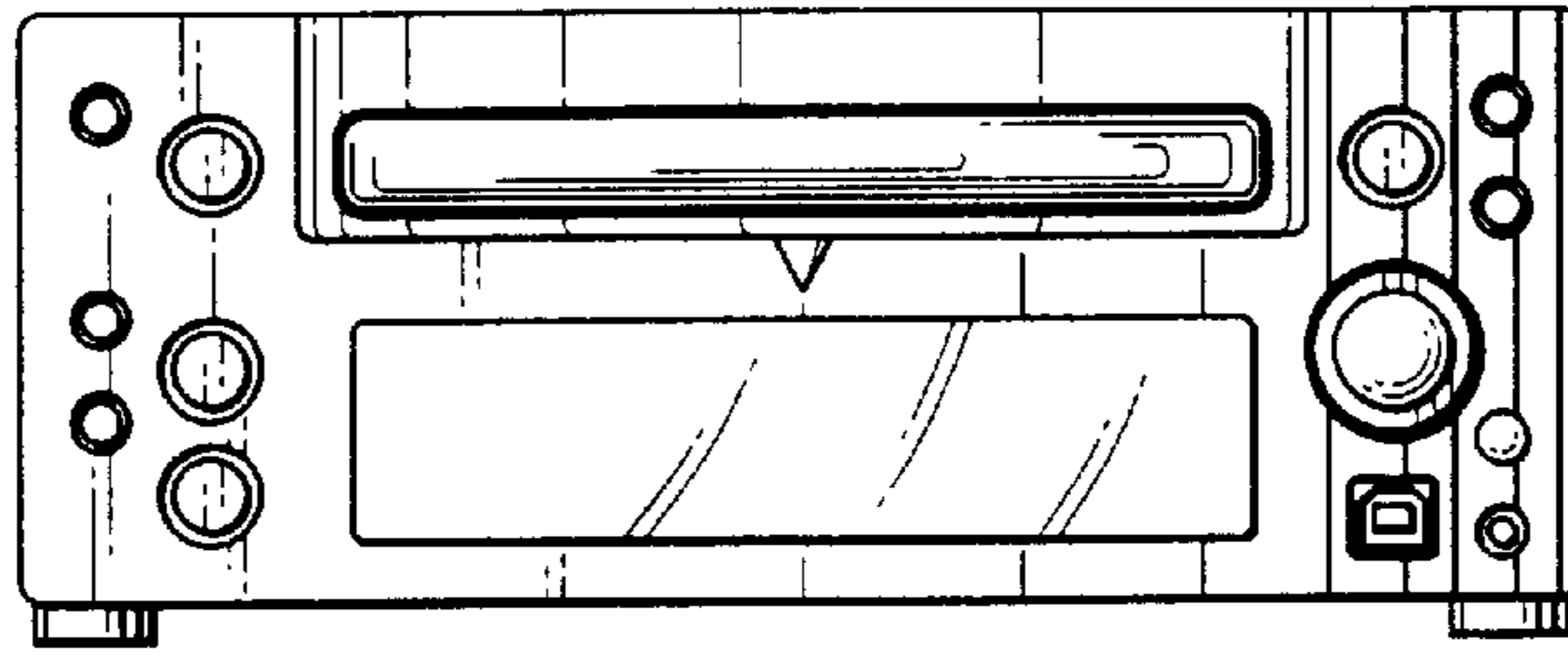


FIG.3

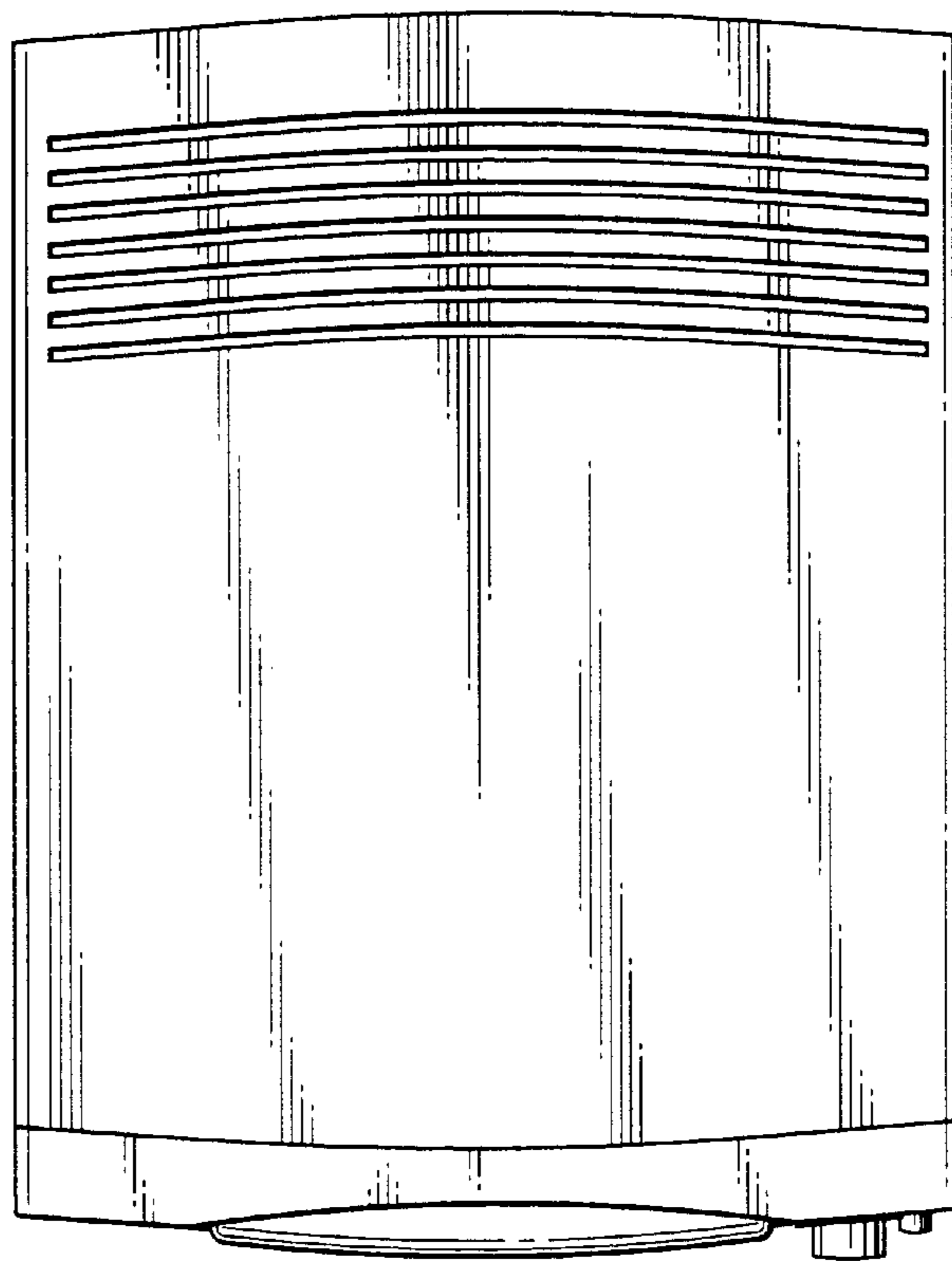


FIG.4

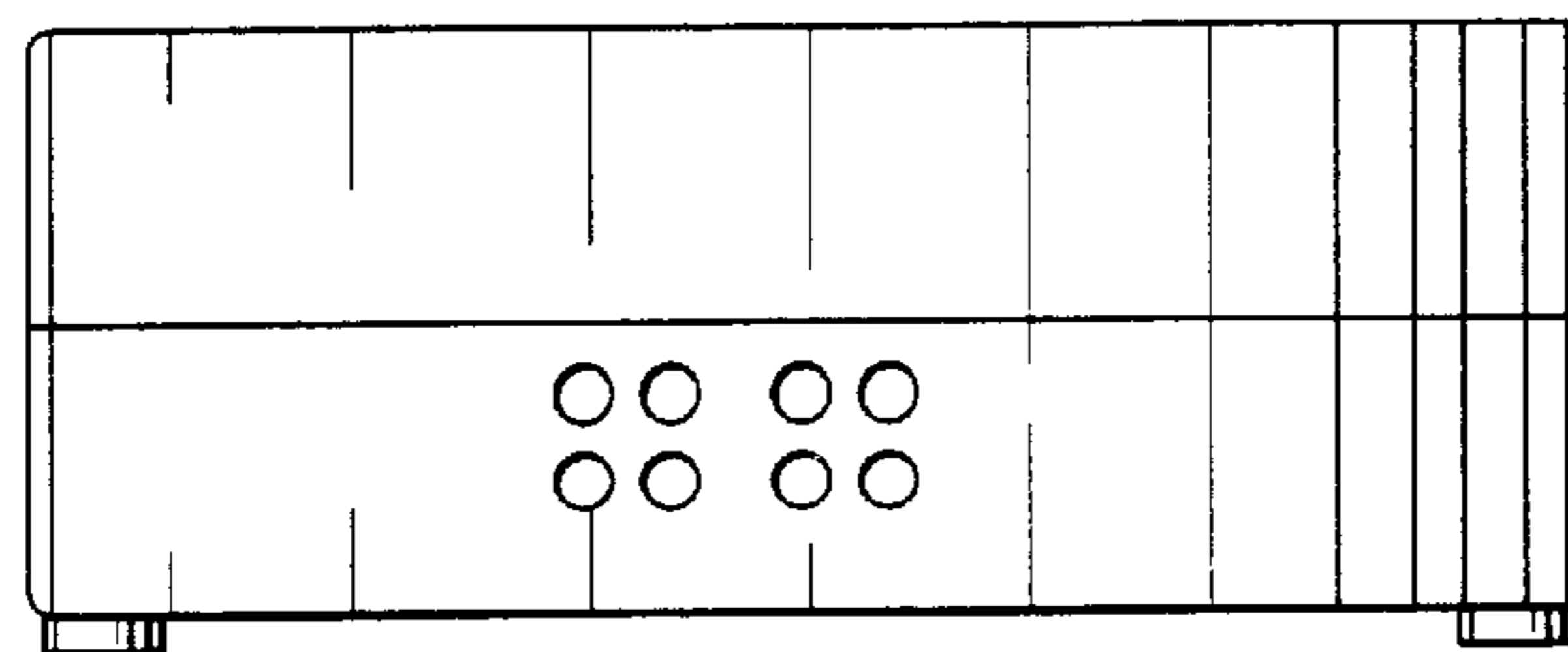


FIG.5

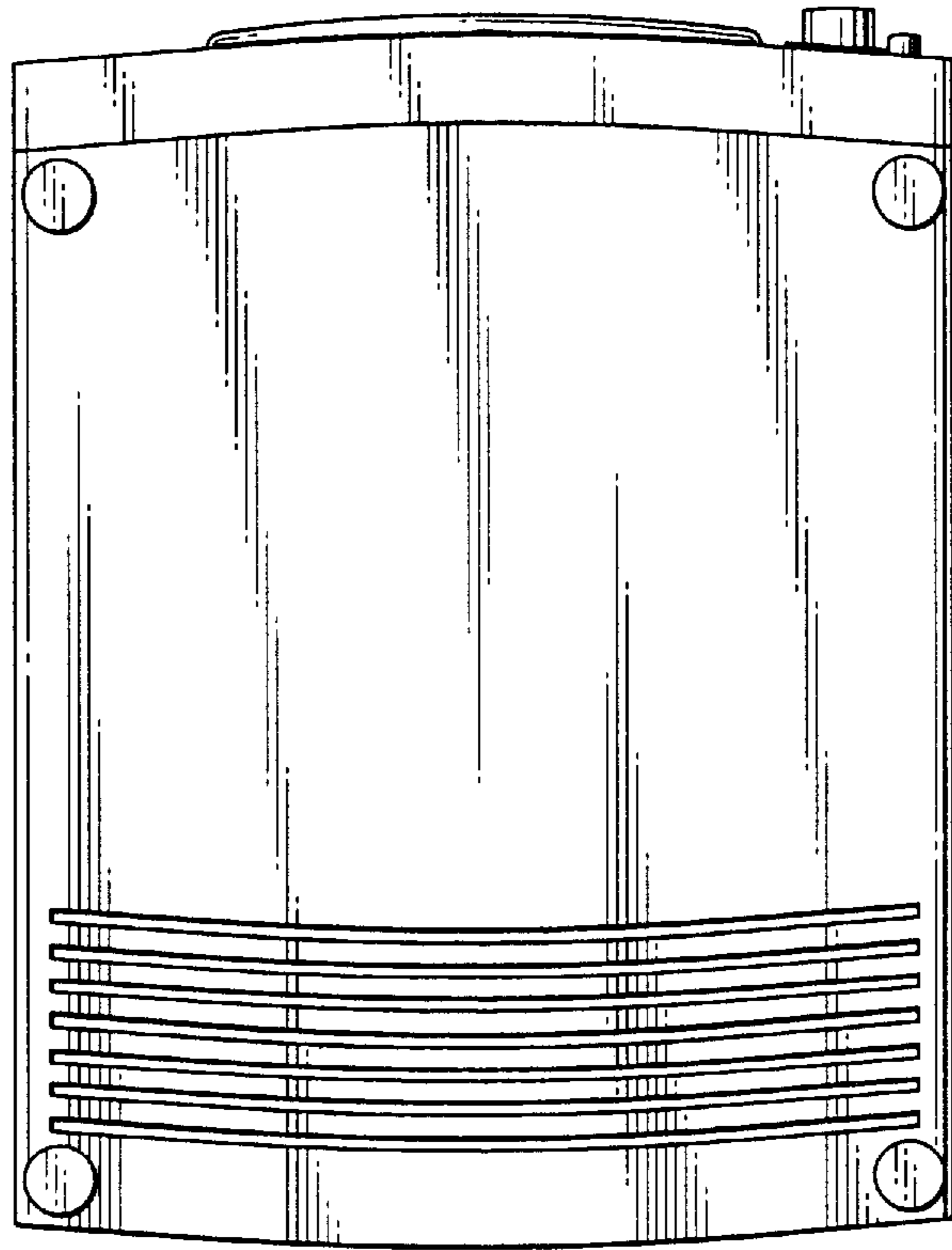


FIG.6

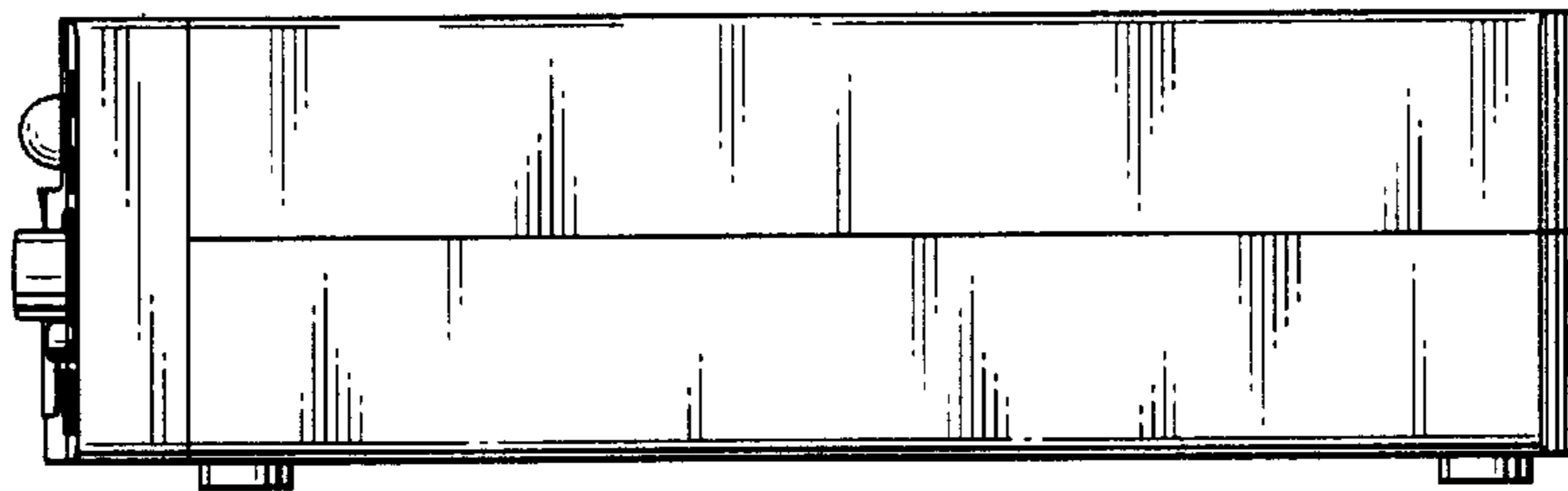


FIG.7

