



US00D458237S

(12) **United States Design Patent**
Niitsu

(10) **Patent No.:** **US D458,237 S**
(45) **Date of Patent:** **** Jun. 4, 2002**

(54) **MONITOR TELEVISION RECEIVER**

(75) Inventor: **Takuya Niitsu**, Tokyo (JP)
(73) Assignee: **Sony Corporation**, Tokyo (JP)
(**) Term: **14 Years**

(21) Appl. No.: **29/145,414**
(22) Filed: **Jul. 24, 2001**

(51) **LOC (7) Cl.** **14-03**
(52) **U.S. Cl.** **D14/126**
(58) **Field of Search** D14/125-136,
D14/239, 371, 374-375; 312/7.2; 348/836,
838, 180, 184, 325, 739; 345/905, 104,
133, 156, 168, 87, 173; 341/12

(56) **References Cited**

U.S. PATENT DOCUMENTS

D380,213 S	6/1997	Morimiya	
D393,462 S	4/1998	Morimiya	
D412,891 S	8/1999	Sumii	
D416,876 S	* 11/1999	Yin	D14/126
D416,890 S	11/1999	Matsuoka	
D417,659 S	* 12/1999	Takemasa	D14/126
D432,102 S	10/2000	Arie	
D439,244 S	* 3/2001	Kita	D14/126

OTHER PUBLICATIONS

Catlog "96", pp. 39 & 40, Sony Corporation (Nov. 2000).
Catalog "Sony FD Trinitron", p. 26, Sony Corporation (Feb. 2001).
Home Page "Sharp", 1 pg., Sharp Corporation (Feb. 2001).

* cited by examiner

Primary Examiner—Raphael Barkai

(74) *Attorney, Agent, or Firm*—Rader, Fishman & Grauer, PLLC

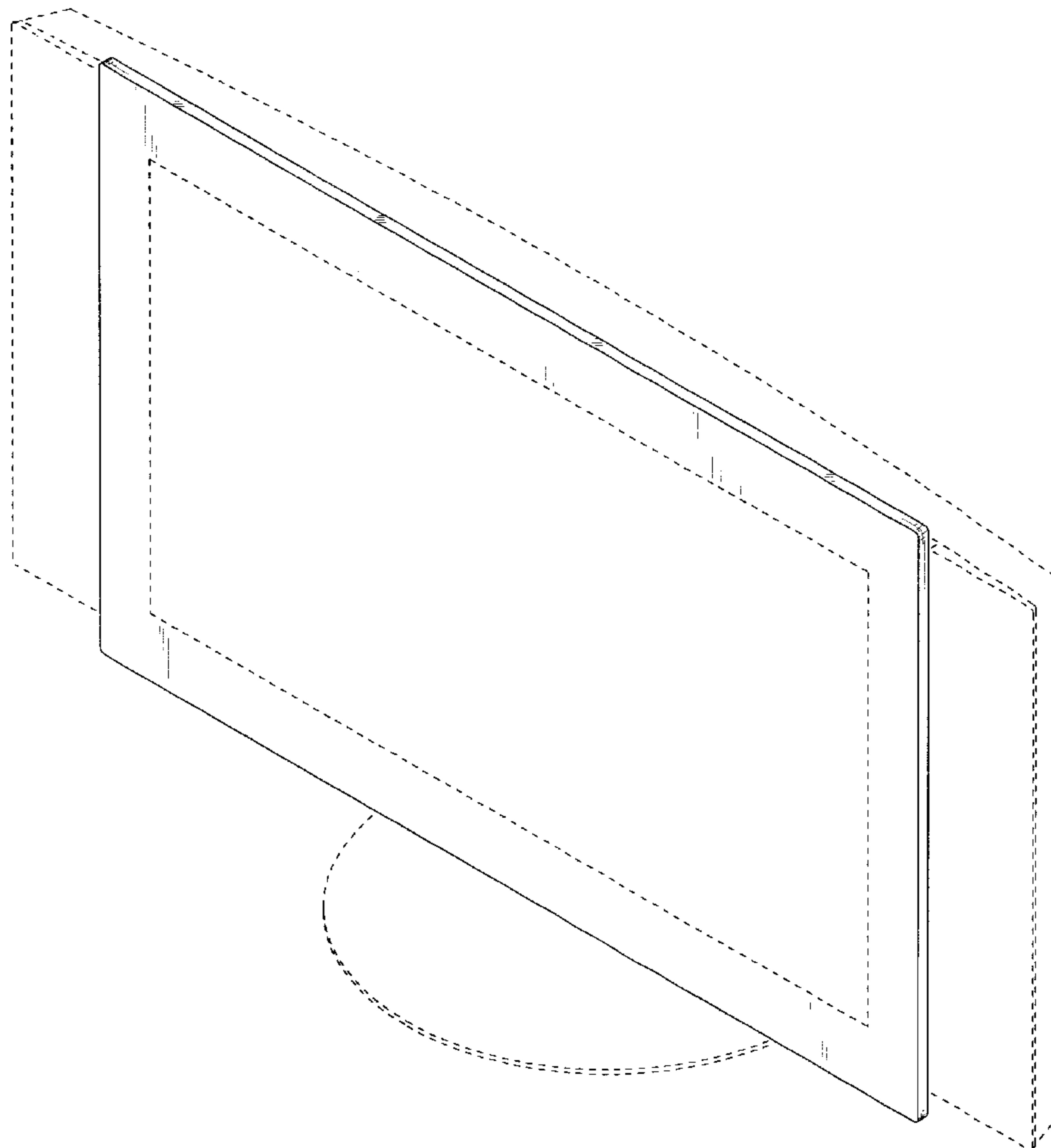
(57) **CLAIM**

The ornamental design for a monitor television receiver, as shown and described.

DESCRIPTION

FIG. 1 is a perspective view of a monitor television receiver showing my new design;
FIG. 2 is a front elevational view thereof;
FIG. 3 is a rear elevational view thereof;
FIG. 4 is a left side elevational view thereof;
FIG. 5 is a right side elevational view thereof;
FIG. 6 is a top plan view thereof; and,
FIG. 7 is a bottom plan view thereof.
The broken lines shown in FIGS. 1-7 are for illustrative purposes only and form no part of the claimed design.

1 Claim, 5 Drawing Sheets



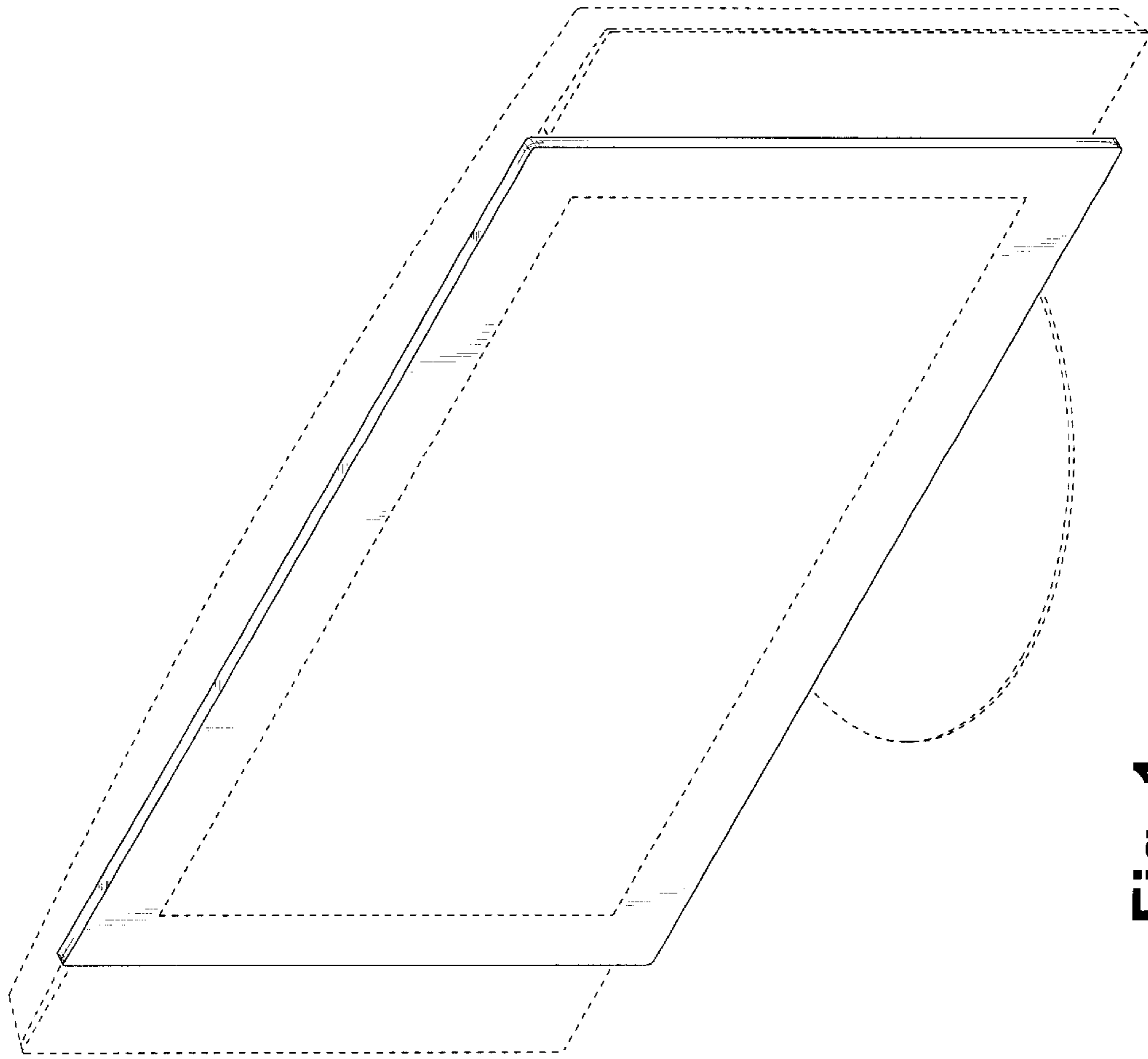


Fig. 1

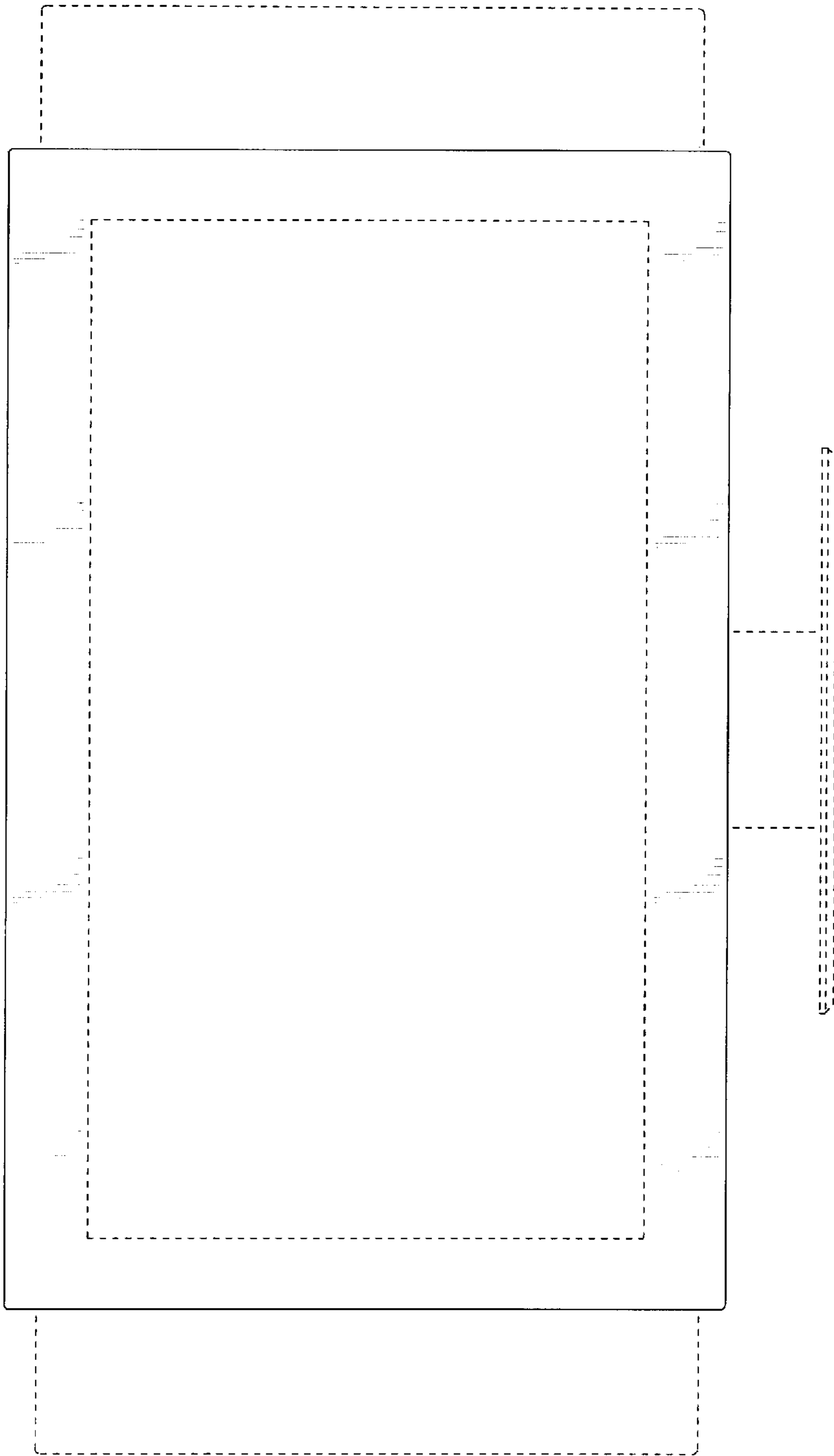


Fig. 2

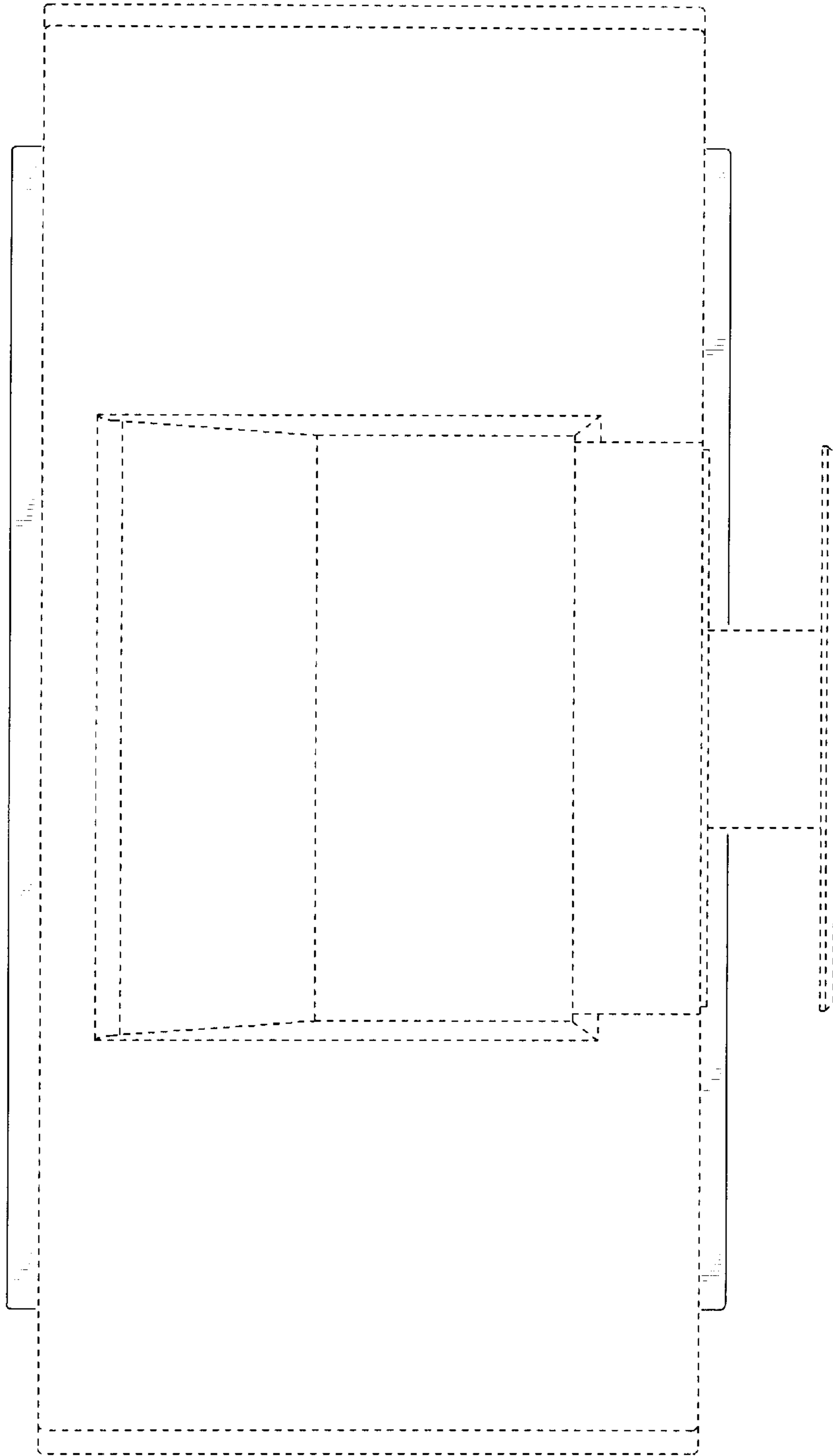


Fig. 3

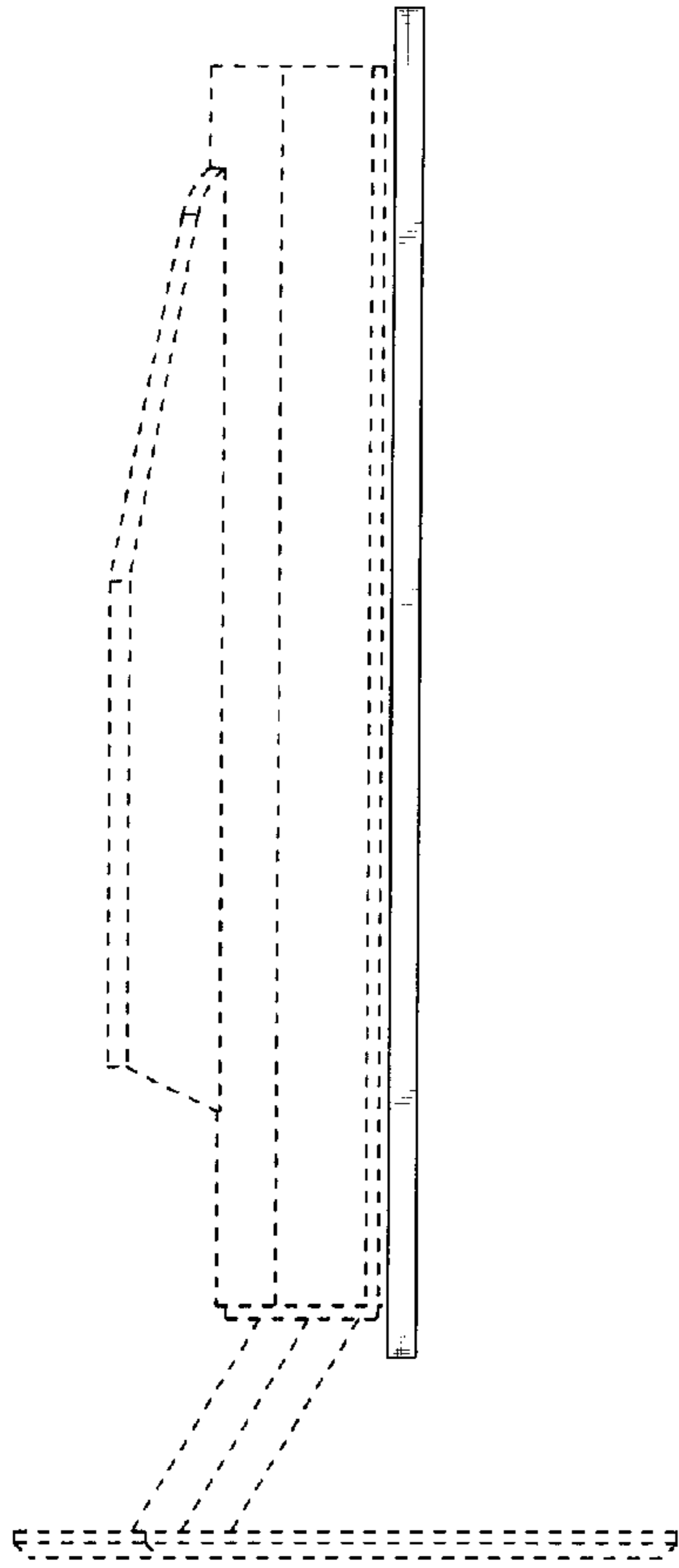


Fig. 4

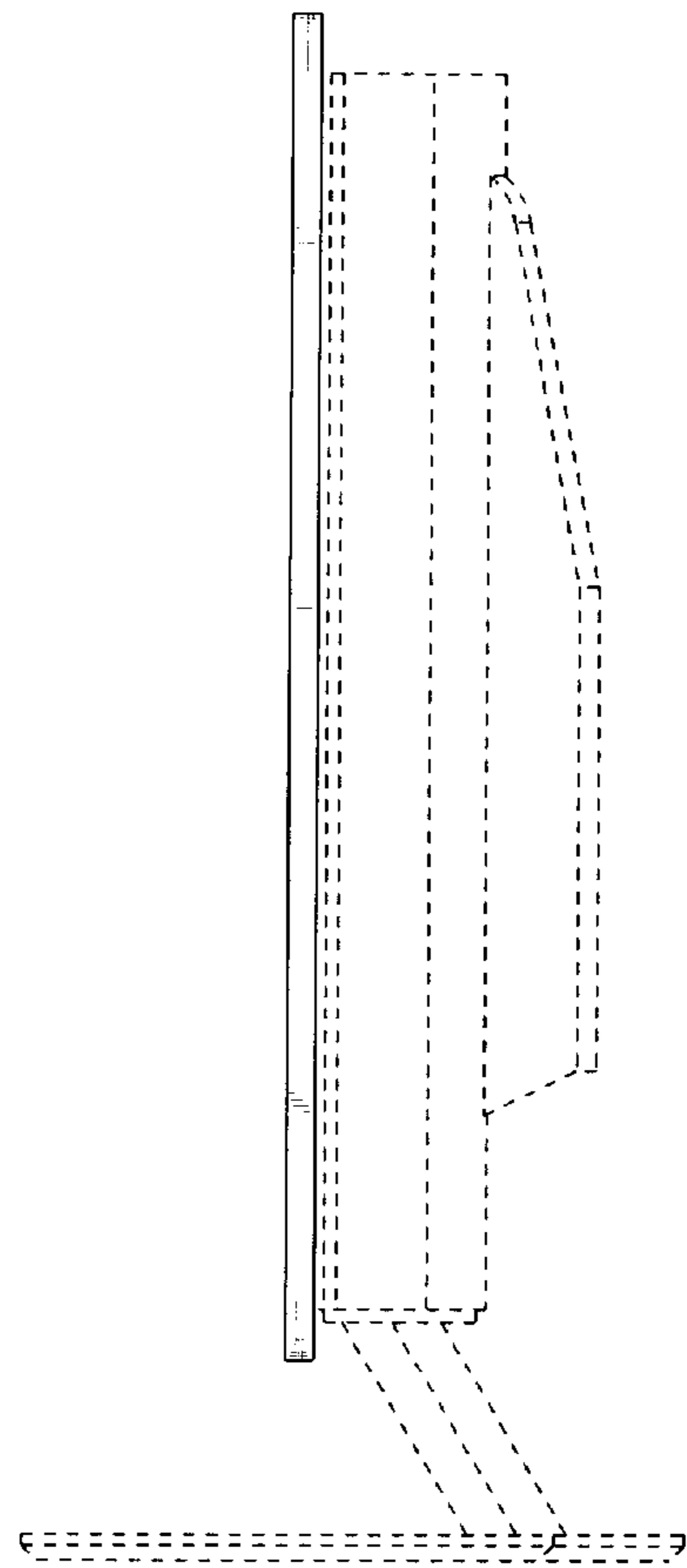


Fig. 5

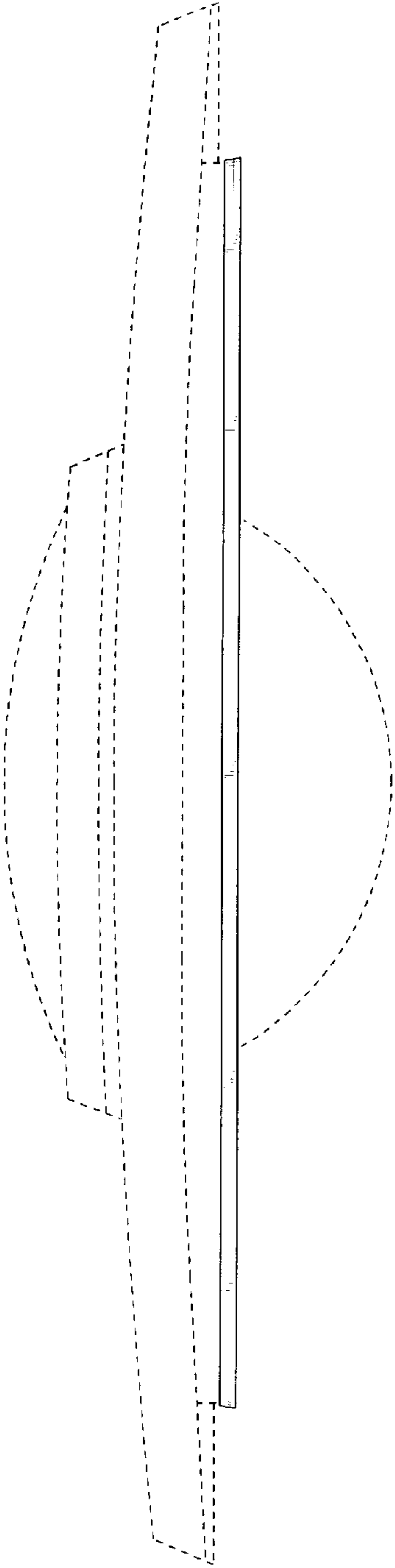


Fig. 6

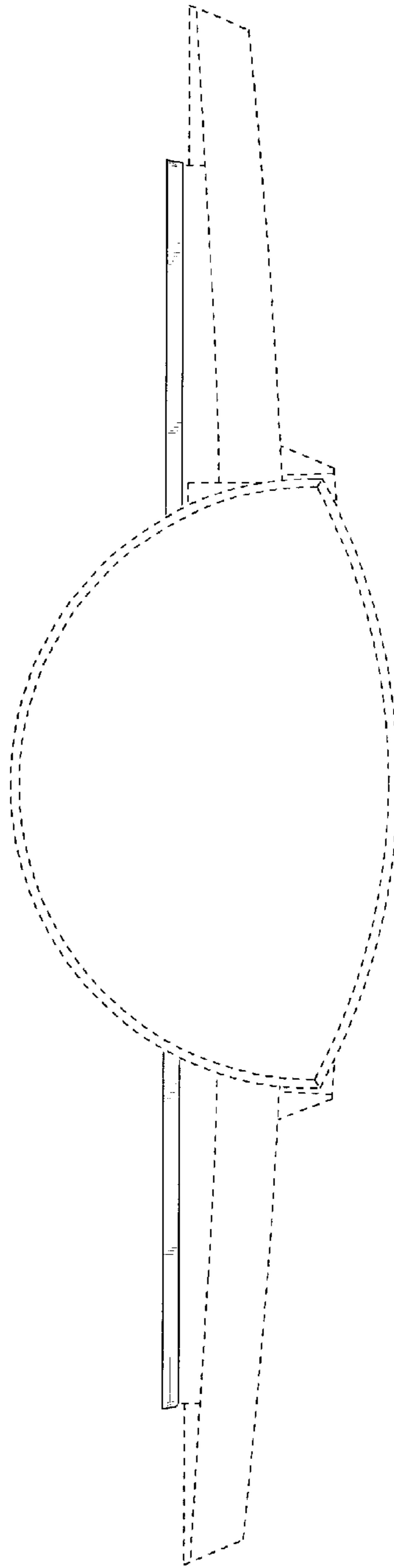


Fig. 7