



US00D458235S

(12) **United States Design Patent**
Klein, Jr. et al.

(10) **Patent No.:** **US D458,235 S**
(45) **Date of Patent:** **** Jun. 4, 2002**

(54) **CHASSIS ASSEMBLY FOR BROADBAND NETWORK HEAD-END MODULES**

5,574,251 A * 11/1996 Sevier 174/50
6,170,685 B1 * 1/2001 Currier 220/3.3
6,218,615 B1 * 4/2001 Canonico 174/50

(75) Inventors: **Carl L. Klein, Jr.**, Wellington; **Alan M. Kernes**, Boca Raton; **Martin Sperber**; **Peter Chunka**, both of Coral Springs, all of FL (US)

* cited by examiner

Primary Examiner—Ted Shooman

Assistant Examiner—Daniel Bui

(73) Assignee: **Viewsonics, Inc.**, Pompano Beach, FL (US)

(74) *Attorney, Agent, or Firm*—Sonnenschein Nath & Rosenthal; Brian R. McGinley

(**) Term: **14 Years**

(57) **CLAIM**

(21) Appl. No.: **29/138,250**

The ornamental design for a chassis assembly for broadband network head-end modules, as shown and described.

(22) Filed: **Mar. 9, 2001**

DESCRIPTION

(51) **LOC (7) Cl.** **13-03**

FIG. 1 is a front elevational view of a chassis assembly for broadband network head-end modules showing our new design.

(52) **U.S. Cl.** **D13/184**

FIG. 2 is a top plan view thereof;

(58) **Field of Search** D13/184, 152, D13/123; D14/240, 314, 434, 446, 218, 188; 174/48-49, 50-67, 65 R, 58; 312/223.1, 223.2; 361/679, 724, 829; 379/399

FIG. 3 is a right side elevational view thereof, the left side elevational view is a mirror image of FIG. 3; and,

FIG. 4 is a perspective view thereof, showing in dashed lines a representative broadband network head-end combining module mounted to the chassis assembly for broadband network head-end modules.

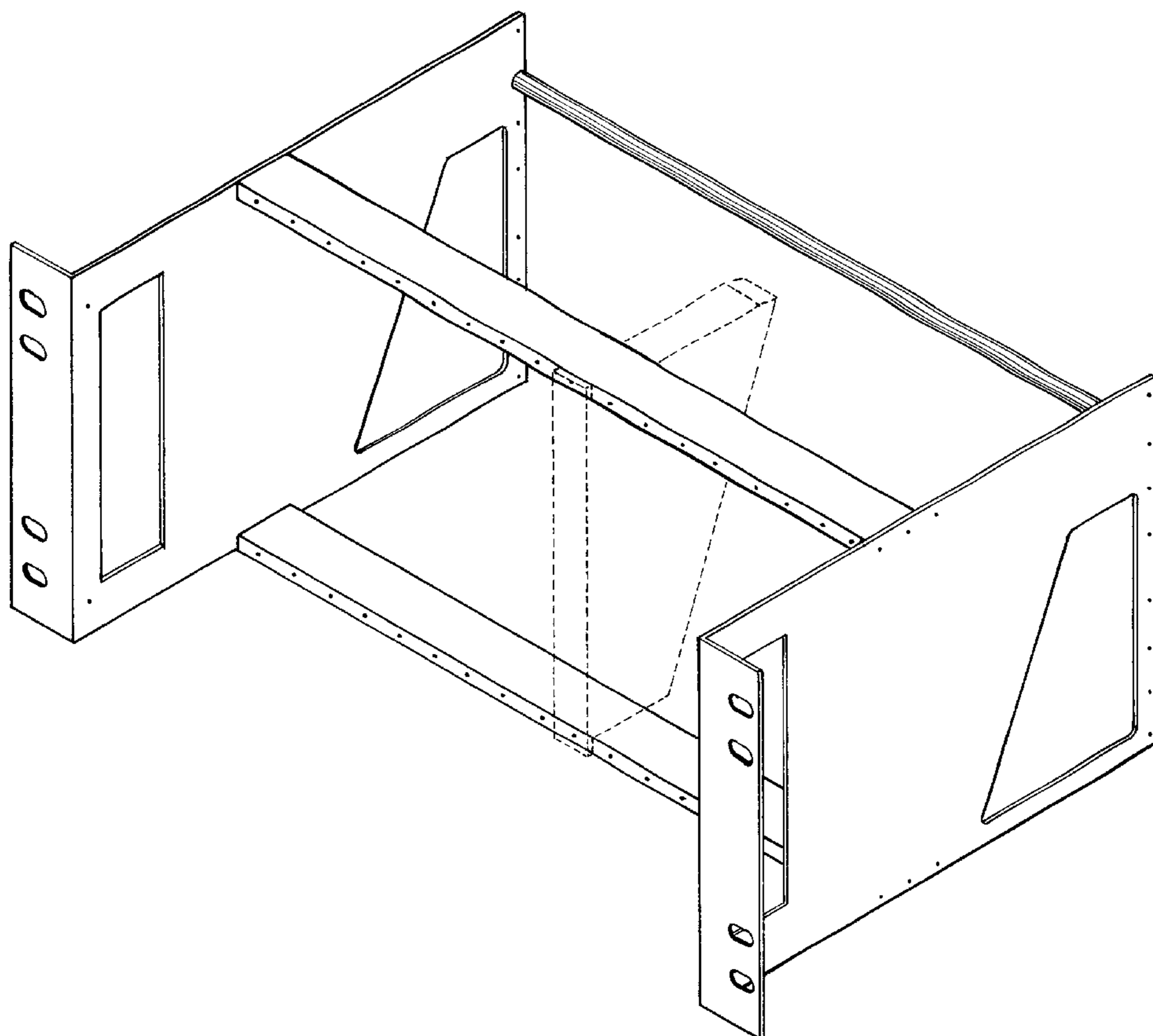
(56) **References Cited**

The dashed lines are for illustration and environment only and do not form a part of the claimed design.

U.S. PATENT DOCUMENTS

2,740,944 A * 4/1956 Harrison et al. 339/192
D207,534 S * 5/1967 Dubin et al. D26/5
D208,859 S * 10/1967 Dubin et al. D26/5
5,278,351 A * 1/1994 Herrick 174/35 R

1 Claim, 2 Drawing Sheets



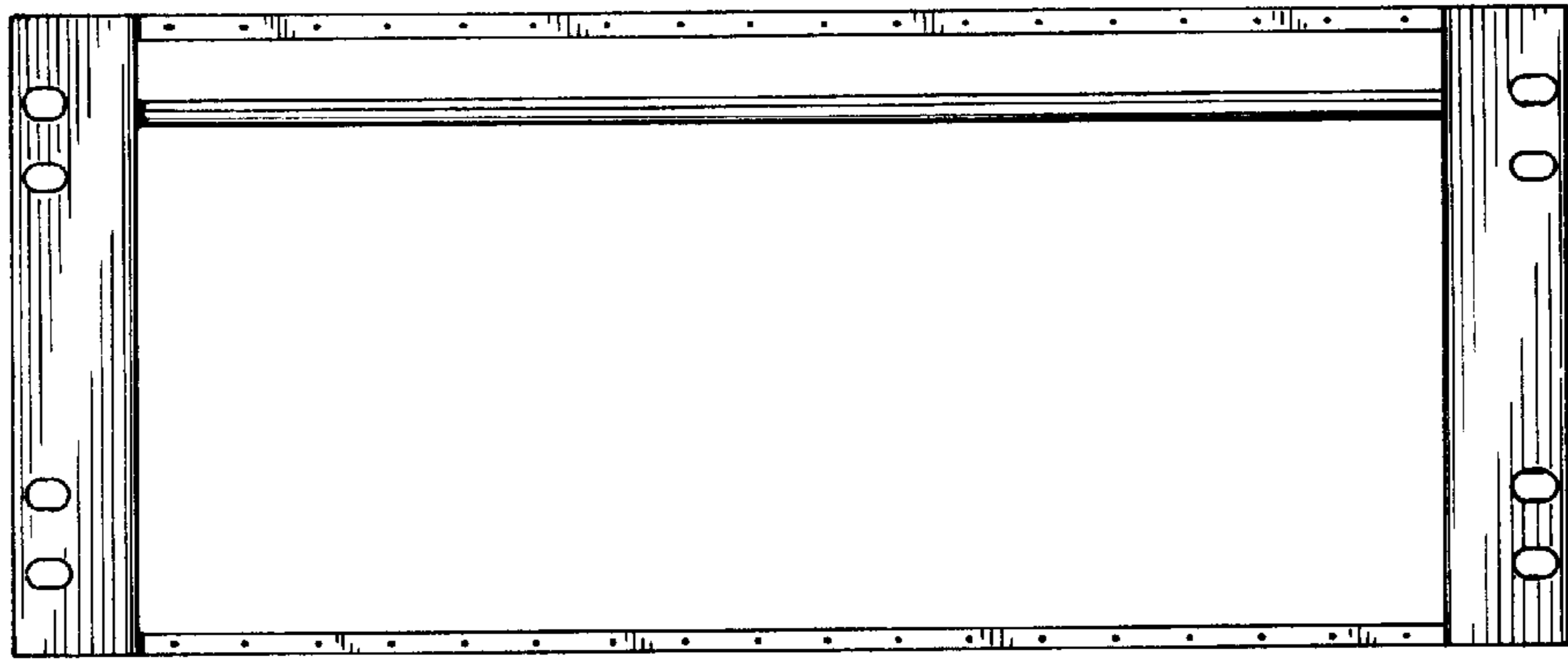


Fig. 1



Fig. 2

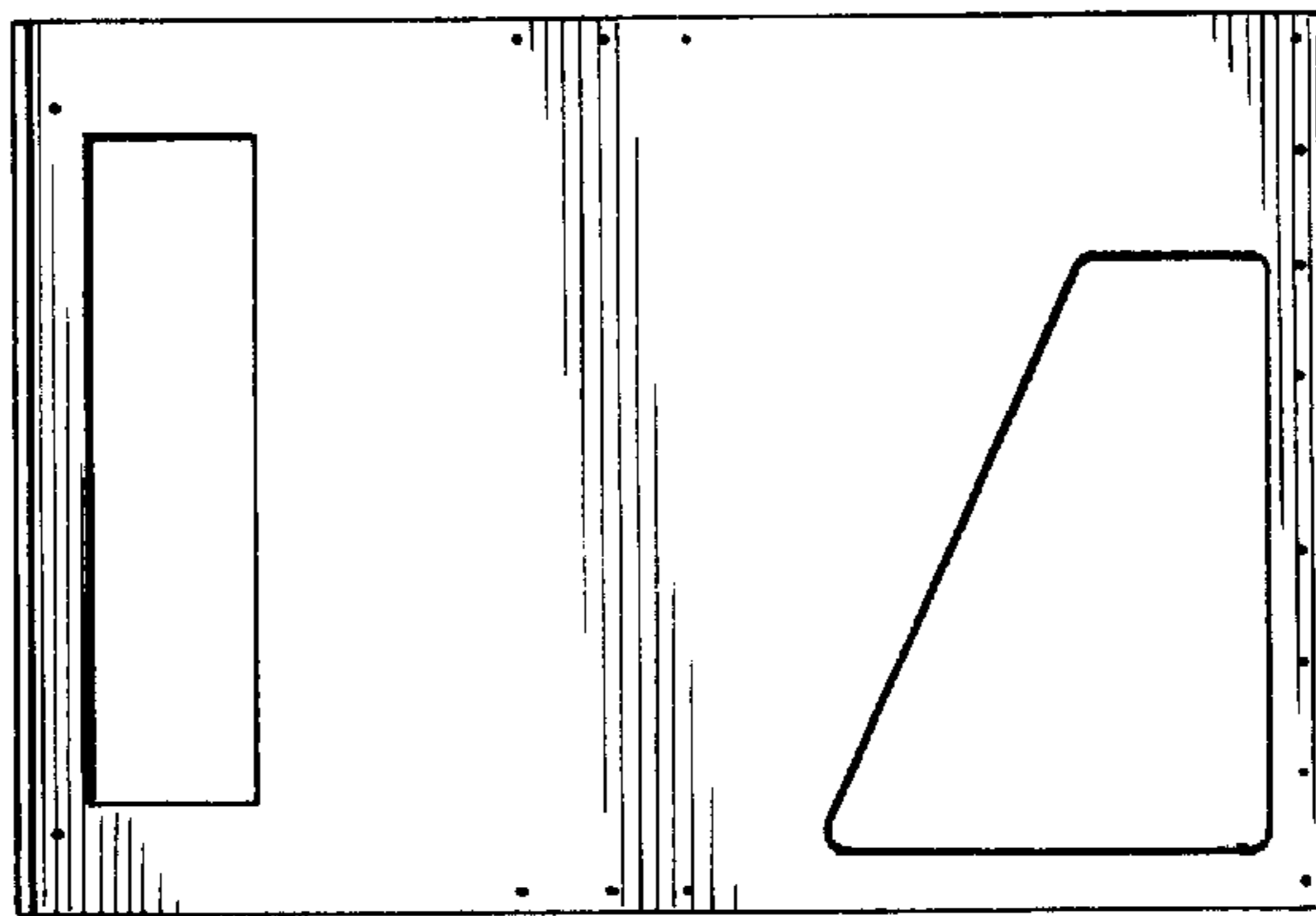


Fig. 3

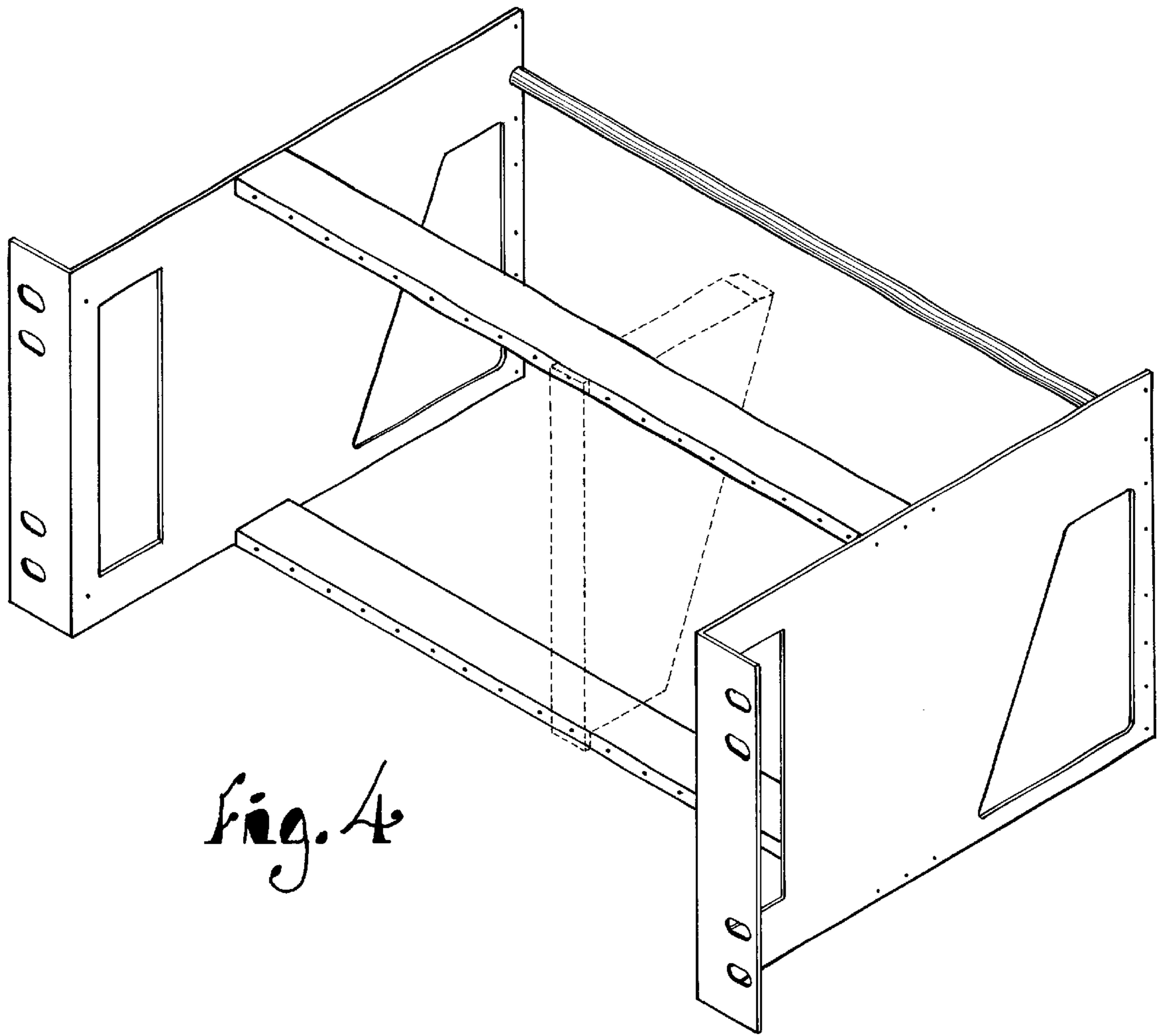


Fig. 4