



US00D458234S

(12) **United States Design Patent**
Fukumoto et al.

(10) **Patent No.:** **US D458,234 S**
(45) **Date of Patent:** **** Jun. 4, 2002**

(54) **SEMICONDUCTOR DEVICE**

6,300,685 B1 * 10/2001 Hasegawa et al. 257/780

(75) Inventors: **Takakazu Fukumoto; Muneharu Tokunaga; Tetsuya Matsuura**, all of Tokyo (JP)

(73) Assignee: **Mitsubishi Denki Kabushiki Kaisha**, Tokyo (JP)

(**) Term: **14 Years**

(21) Appl. No.: **29/144,820**

(22) Filed: **Jul. 12, 2001**

(30) **Foreign Application Priority Data**

Feb. 15, 2001 (JP) 2001-003330

(51) **LOC (7) Cl.** **13-03**

(52) **U.S. Cl.** **D13/182**

(58) **Field of Search** D13/182, 110; 174/52.2, 52.4, 16.3; 257/787, 668, 667, 670, 676, 679, 686, 688, 690-692, 696, 703, 778; 361/760, 783, 813, 752, 798, 820; 365/226

(56) **References Cited**

U.S. PATENT DOCUMENTS

| | | | | | |
|-------------|---|---------|-----------------|-------|----------|
| 3,706,840 A | * | 12/1972 | Moyle et al. | | 174/52.2 |
| 4,748,538 A | * | 5/1988 | Tsuji | | 361/714 |
| 4,843,695 A | * | 7/1989 | Doe et al. | | 29/827 |
| 5,237,201 A | * | 8/1993 | Tanaki et al. | | 257/666 |
| D345,731 S | * | 4/1994 | Owens et al. | | D13/182 |
| 5,464,954 A | * | 11/1995 | Hinshaw et al. | | 165/80.3 |
| D416,872 S | * | 11/1999 | Burke | | D13/182 |
| D421,969 S | * | 3/2000 | Kawafuji et al. | | D13/182 |
| 6,093,957 A | * | 7/2000 | Kwon | | 257/666 |
| D432,096 S | * | 10/2000 | Jeon et al. | | D13/182 |
| D432,097 S | * | 10/2000 | Song et al. | | D13/182 |
| D448,740 S | * | 10/2001 | Iwasaki et al. | | D13/182 |

FOREIGN PATENT DOCUMENTS

| | | |
|----|-----------|---------|
| JP | 63-73694 | 4/1988 |
| JP | 63-114245 | 5/1988 |
| JP | 2-134890 | 5/1990 |
| JP | 4-276649 | 10/1992 |
| JP | 6-177501 | 6/1994 |
| JP | 6-314885 | 11/1994 |
| JP | 6-334294 | 12/1994 |
| JP | 7-22727 | 1/1995 |
| JP | 10-173122 | 6/1998 |

* cited by examiner

Primary Examiner—Ted Shooman

Assistant Examiner—Selina Sikder

(74) *Attorney, Agent, or Firm*—Oblon, Spivak, McClelland, Maier & Neustadt, P.C.

(57) **CLAIM**

The ornamental design for a semiconductor device, as shown and described.

DESCRIPTION

FIG. 1 is a front, top and right side perspective view of a semiconductor device, showing our new design;
 FIG. 2 is a front, bottom and right side perspective view thereof;
 FIG. 3 is a front elevational view thereof;
 FIG. 4 is a rear elevational view thereof;
 FIG. 5 is a right side elevational view thereof; the left side elevational view is omitted as that is symmetrical to the right side elevational view thereof;
 FIG. 6 is a top plan view thereof;
 FIG. 7 is a bottom plan view thereof; and,
 FIG. 8 is a cross-sectional view thereof, taken along line 8—8 of FIG. 5, with the internal system omitted.

1 Claim, 4 Drawing Sheets

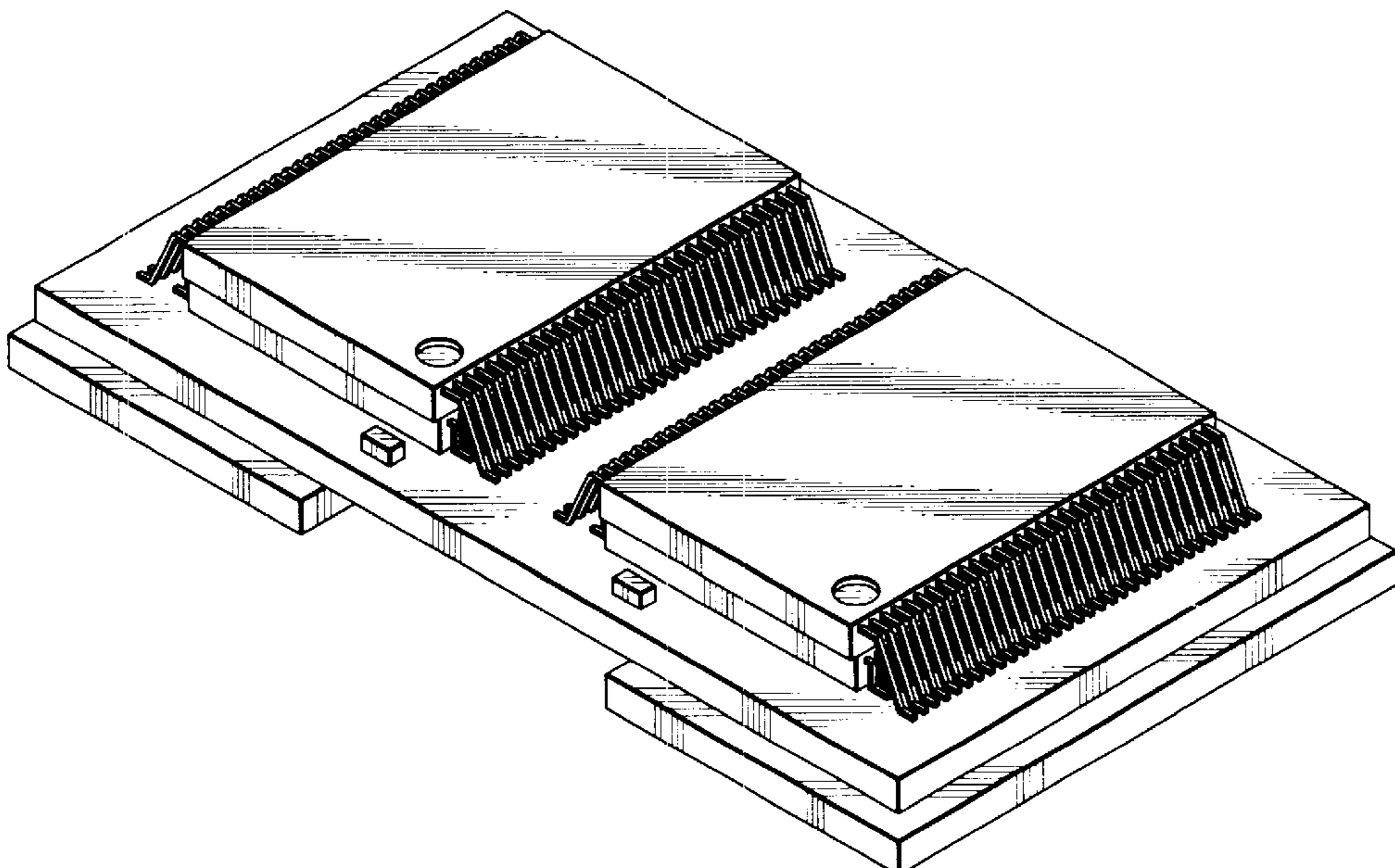


FIG. 1

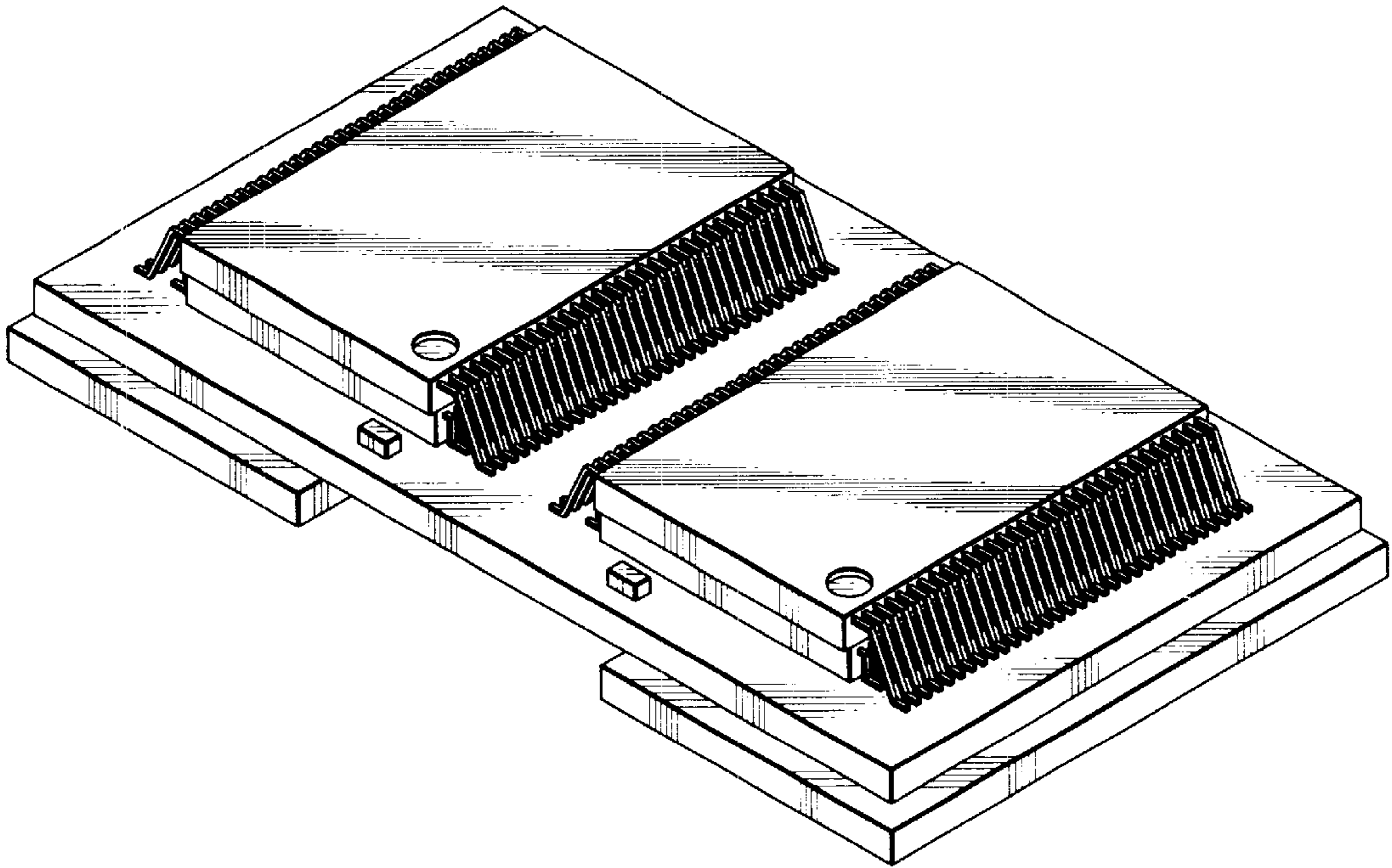


FIG. 2

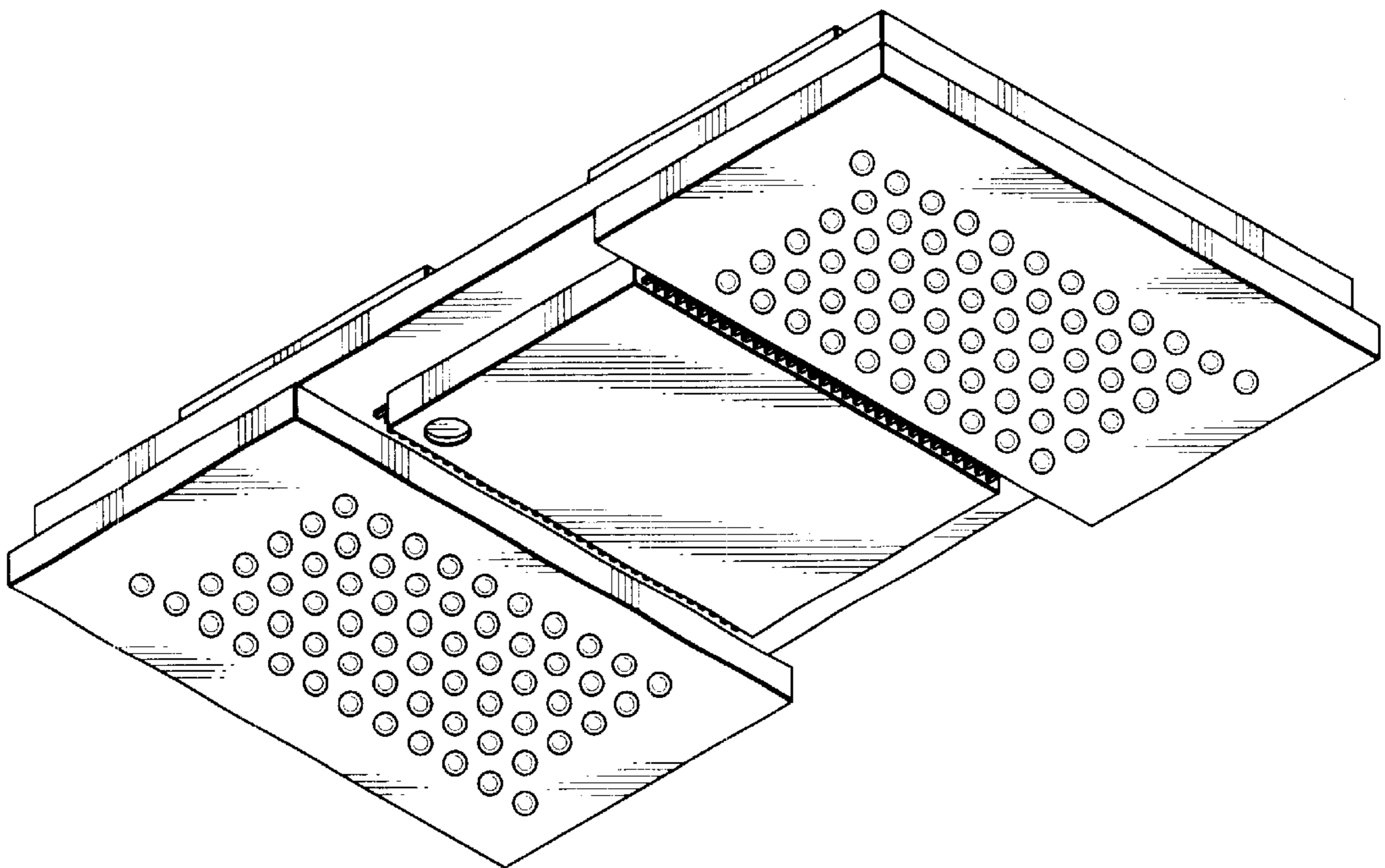


FIG.3

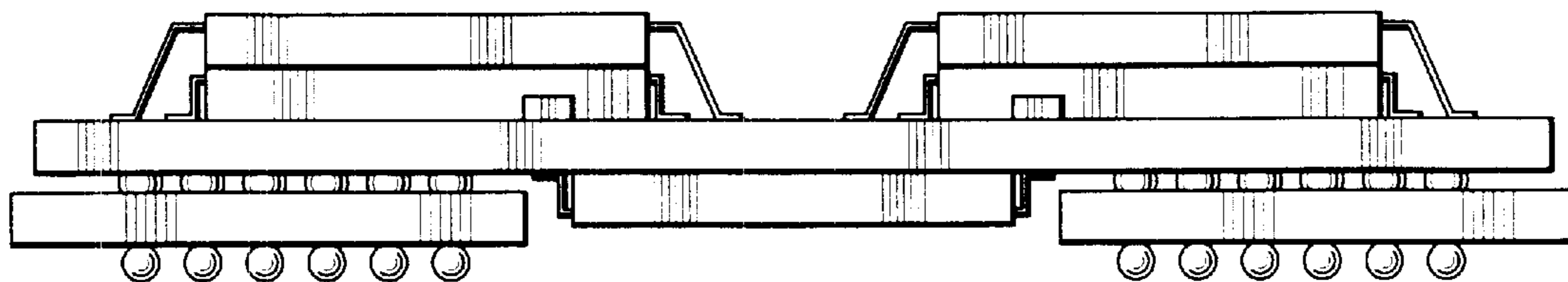


FIG.4

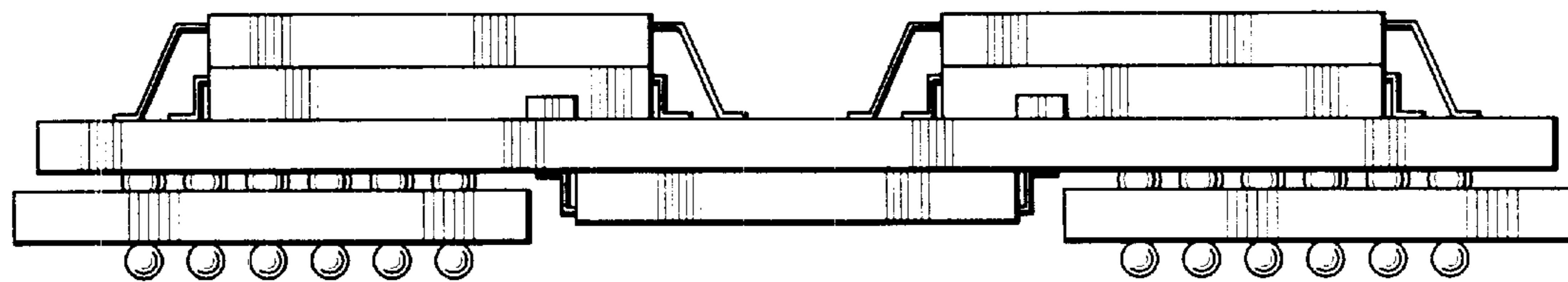


FIG.5

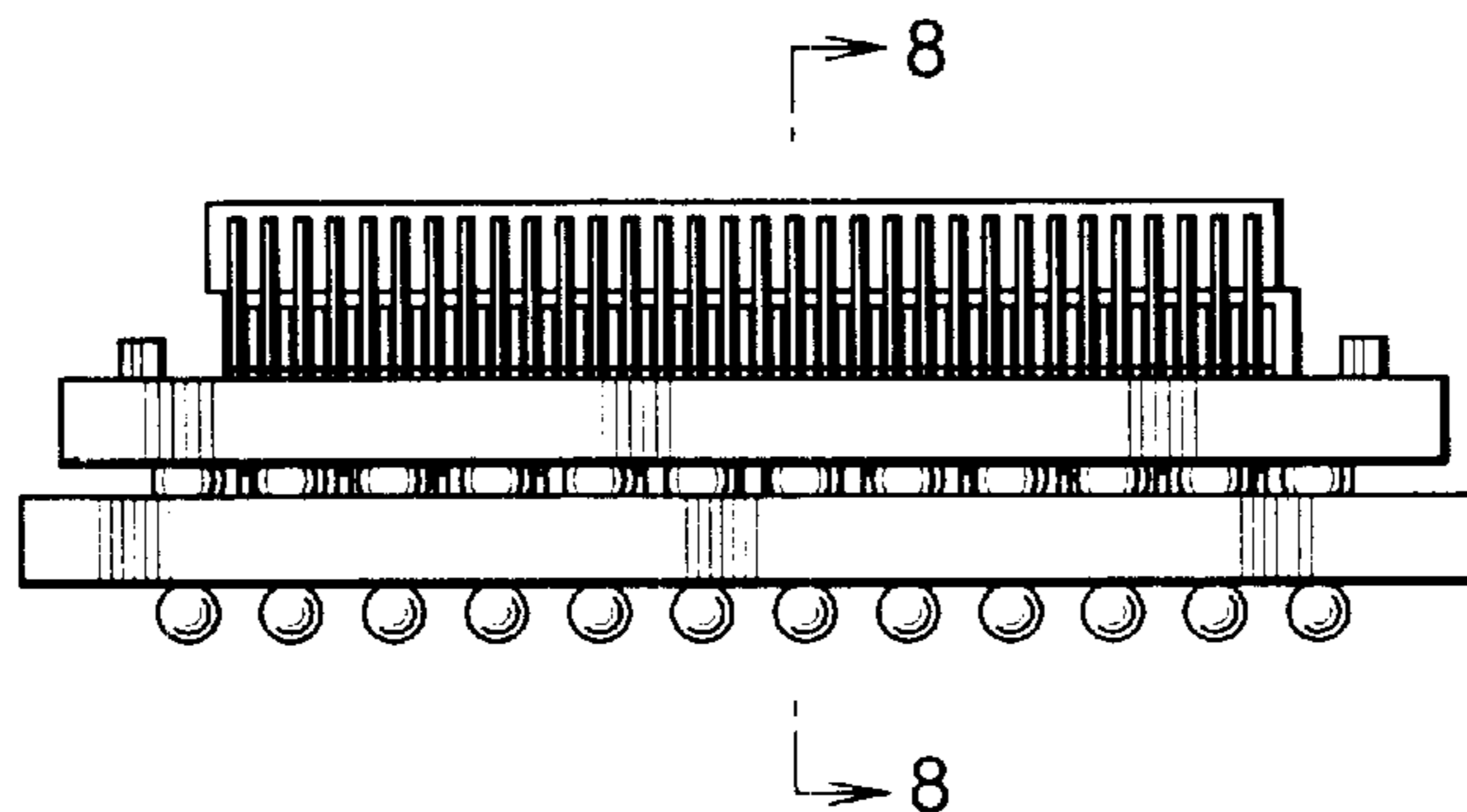


FIG. 6

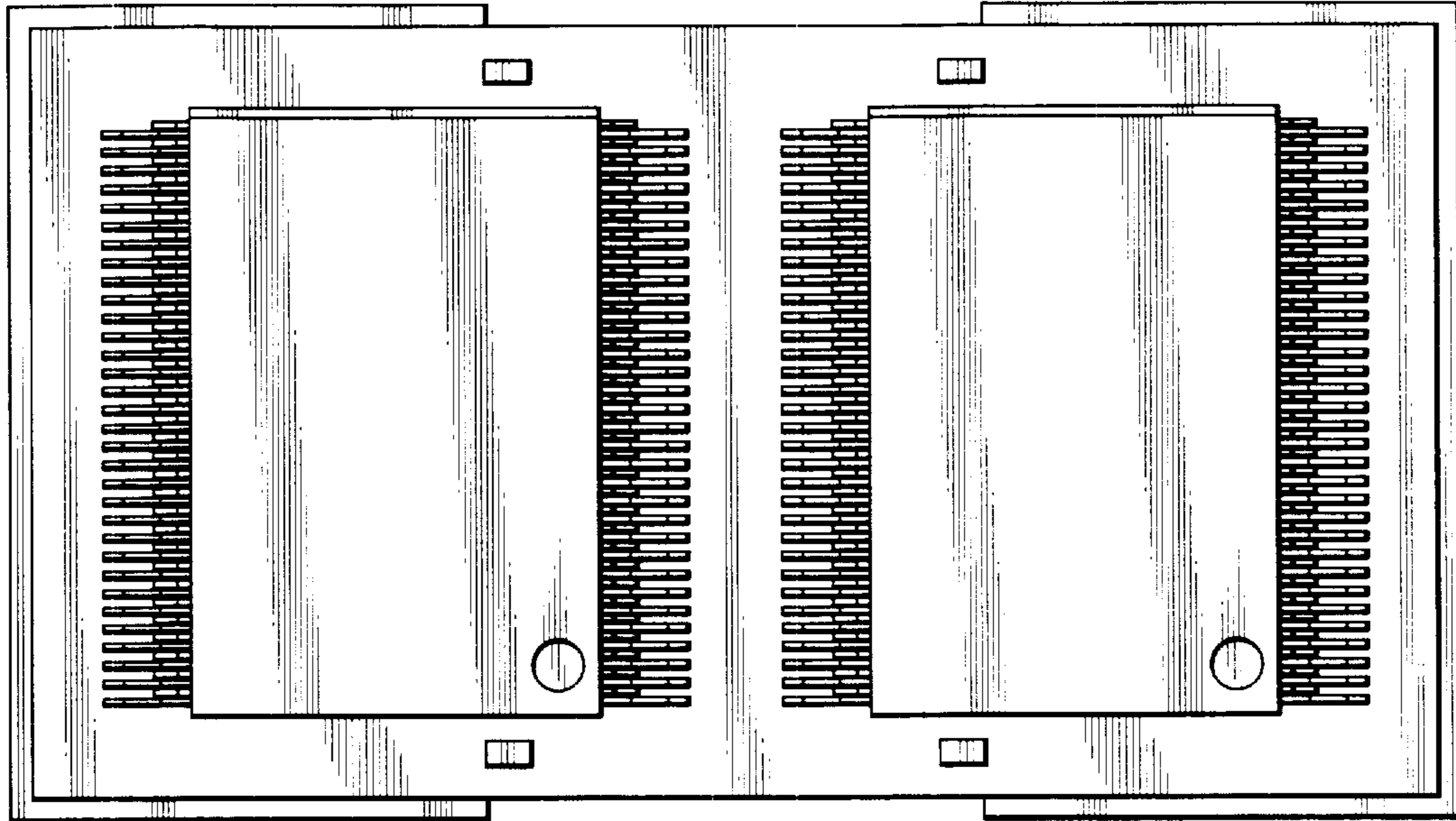


FIG. 7

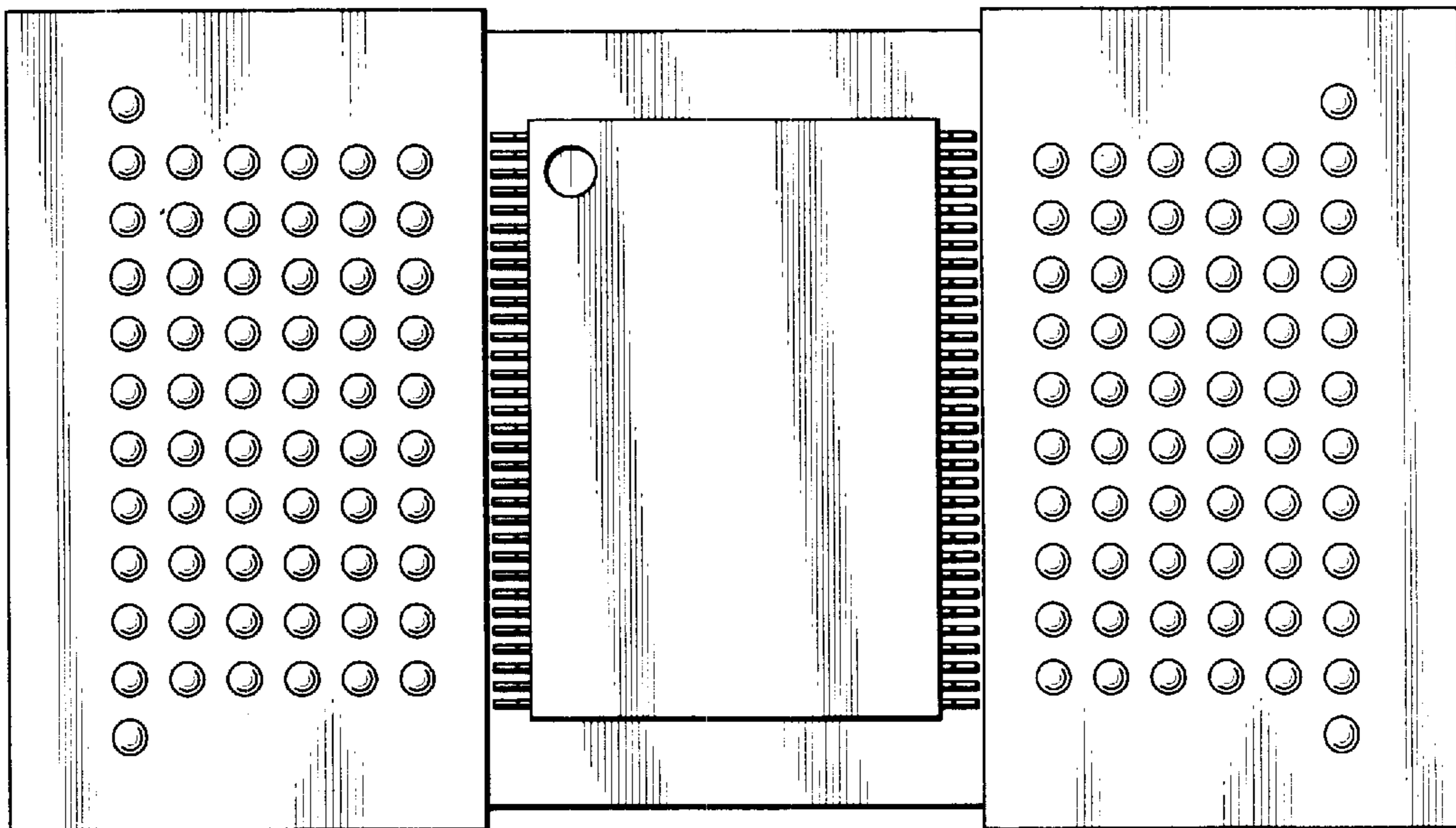


FIG. 8

