

US00D458232S

(12) **United States Design Patent**
Lee

(10) **Patent No.:** **US D458,232 S**

(45) **Date of Patent:** **** Jun. 4, 2002**

(54) **RADIATOR FOR HEAT GENERATING COMPONENTS IN ELECTRONIC EQUIPMENT**

(75) Inventor: **Sang-cheol Lee, Kunpo (KR)**

(73) Assignee: **Zalman Tech Co., Ltd., Ansan (KR)**

(**) Term: **14 Years**

(21) Appl. No.: **29/138,904**

(22) Filed: **Mar. 22, 2001**

(30) **Foreign Application Priority Data**

Sep. 27, 2000 (KR) 00-24689

(51) **LOC (7) Cl.** **13-03**

(52) **U.S. Cl.** **D13/179**

(58) **Field of Search** D13/179, 184;
174/16.3; 165/80.3, 180, 185; 248/200,
694; 257/706, 707, 718, 719, 720, 721,
722, 727, 686; 361/271, 274.3, 697, 702,
709, 710, 711, 514, 704; 439/485, 486,
487

(56) **References Cited**

U.S. PATENT DOCUMENTS

D267,005 S	*	11/1982	Dennis	D13/23
D426,195 S	*	6/2000	Kuo	D13/179
D426,196 S	*	6/2000	Lee	D13/179
D426,814 S	*	6/2000	Lee	D13/179
6,138,489 A	*	10/2000	Eriksson	72/256

* cited by examiner

Primary Examiner—Ted Shooman

Assistant Examiner—Daniel Bui

(74) *Attorney, Agent, or Firm*—Leydig, Voit, & Mayer, Ltd.

(57) **CLAIM**

I claim the ornamental design for a radiator for heat generating components in electronic equipment, as shown and described.

DESCRIPTION

FIG. 1 is a perspective view of a radiator for heat generating components in electronic equipment according to the present invention.

FIG. 2 is a front view of the radiator according to the present invention; the rear view of the radiator is a mirror image of FIG. 2.

FIG. 3 is a right side view of the radiator according to the present invention; the left side view is a mirror image of FIG. 3.

FIG. 4 is a top view of the radiator according to the present invention.

FIG. 5 is a bottom view of the radiator according to the present invention.

FIG. 6 is an exploded perspective view illustrating use of the radiator according to the present invention on a reduced scale; and,

FIG. 7 is a sectional view of the heat radiator on a reduced scale.

The broken lines in the figures indicate environmental elements for illustrative purposes only and form no part of the claimed design.

1 Claim, 5 Drawing Sheets

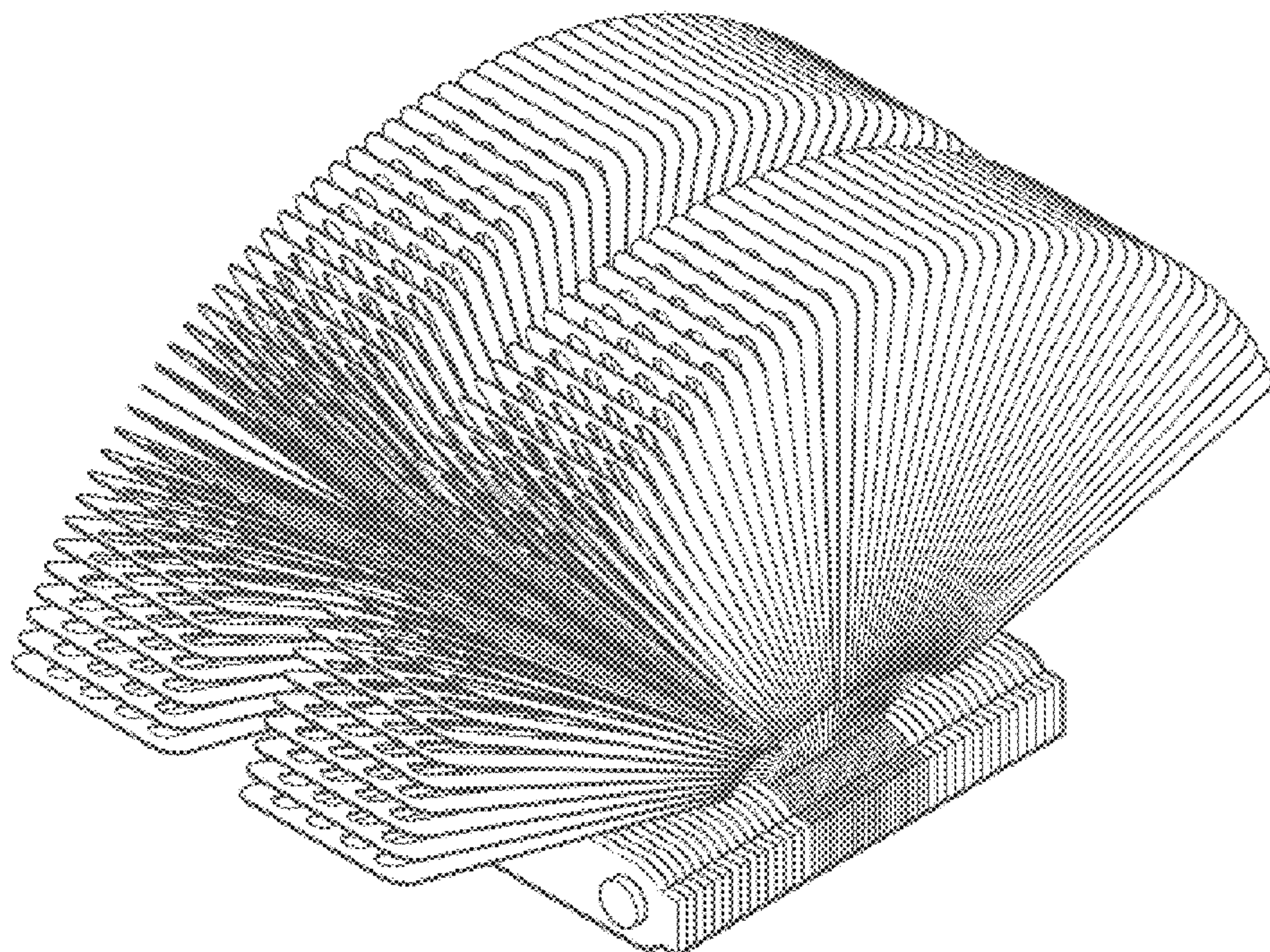


FIG. 1

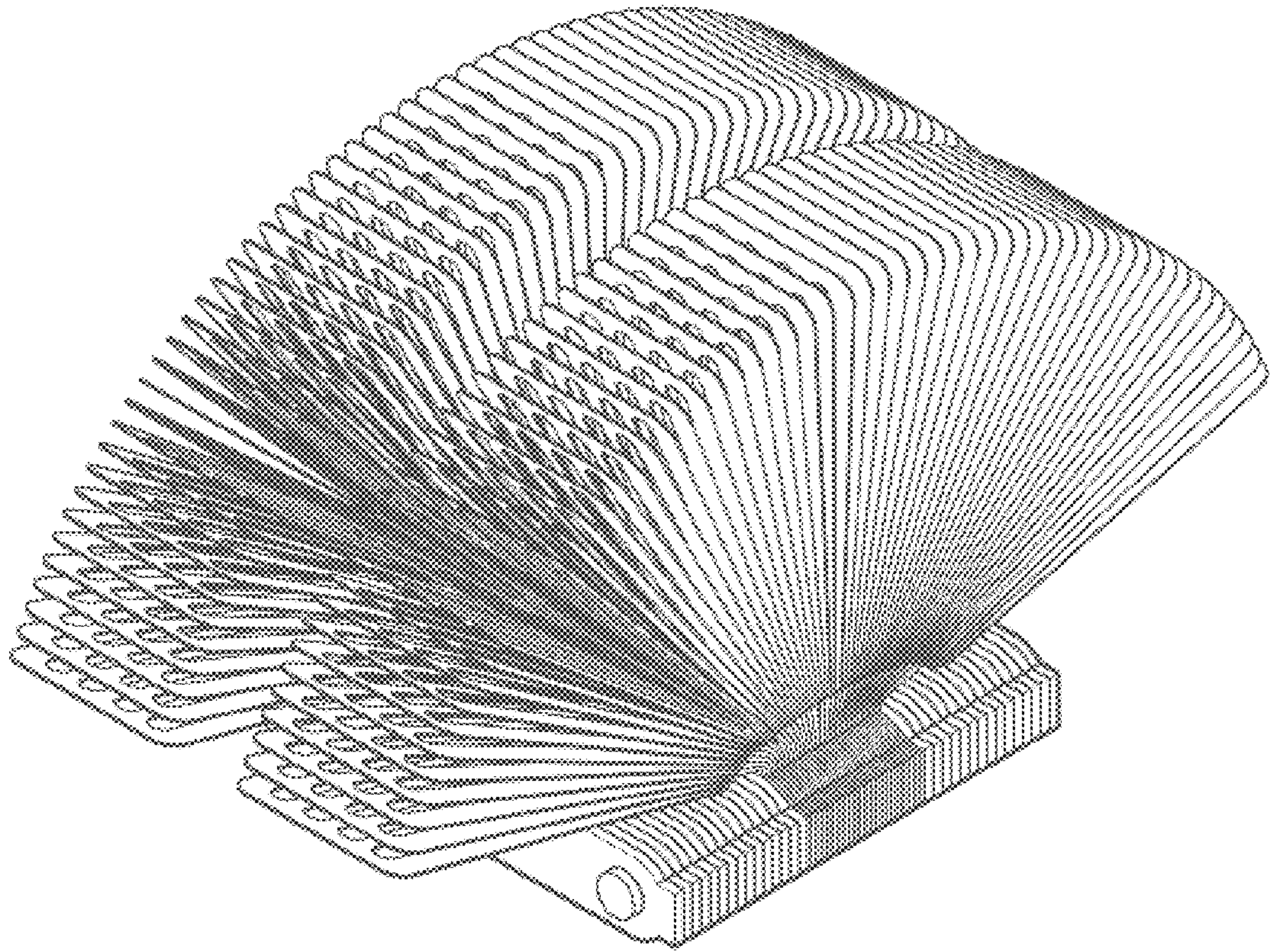


FIG. 2

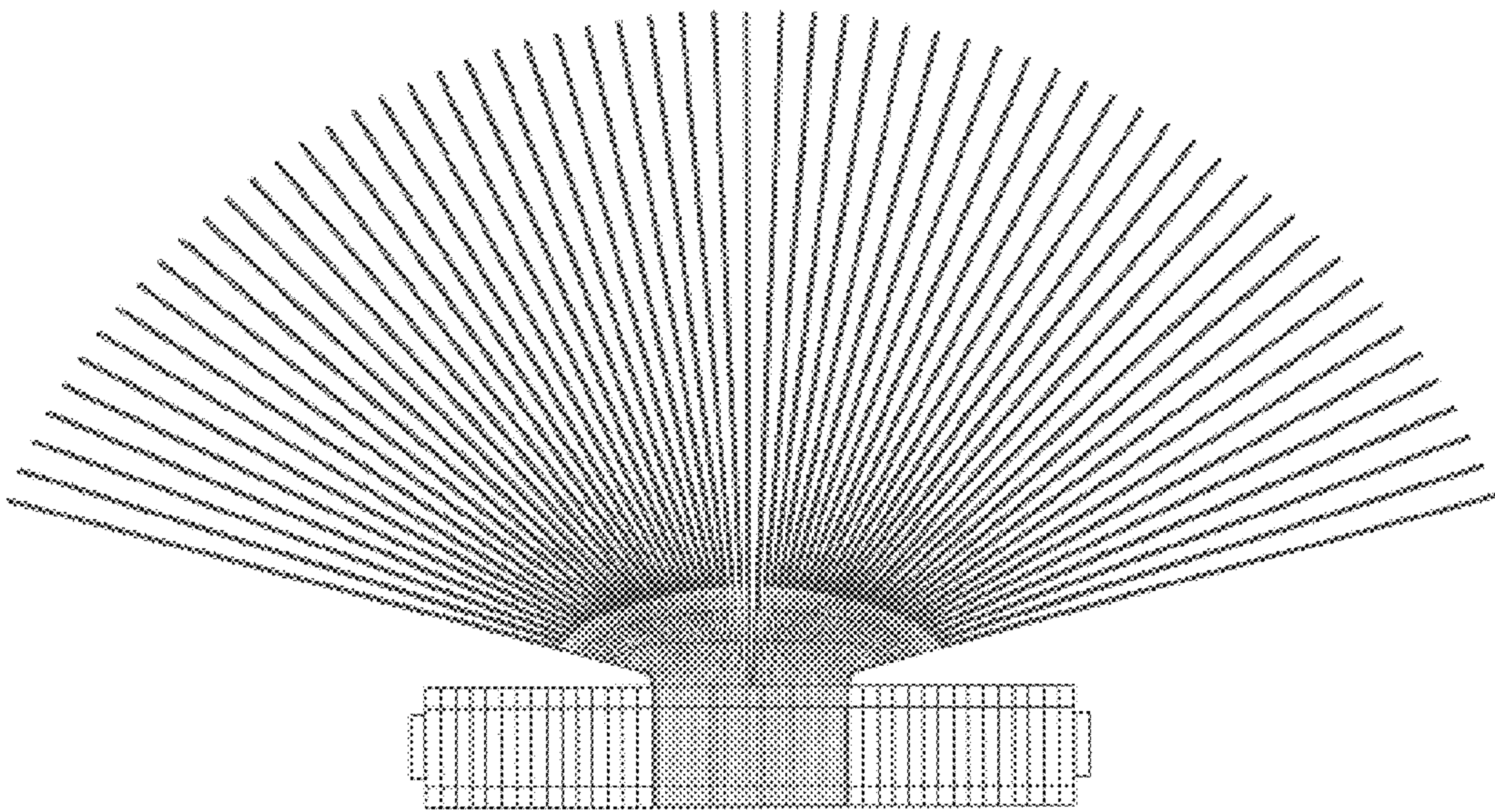


FIG. 3

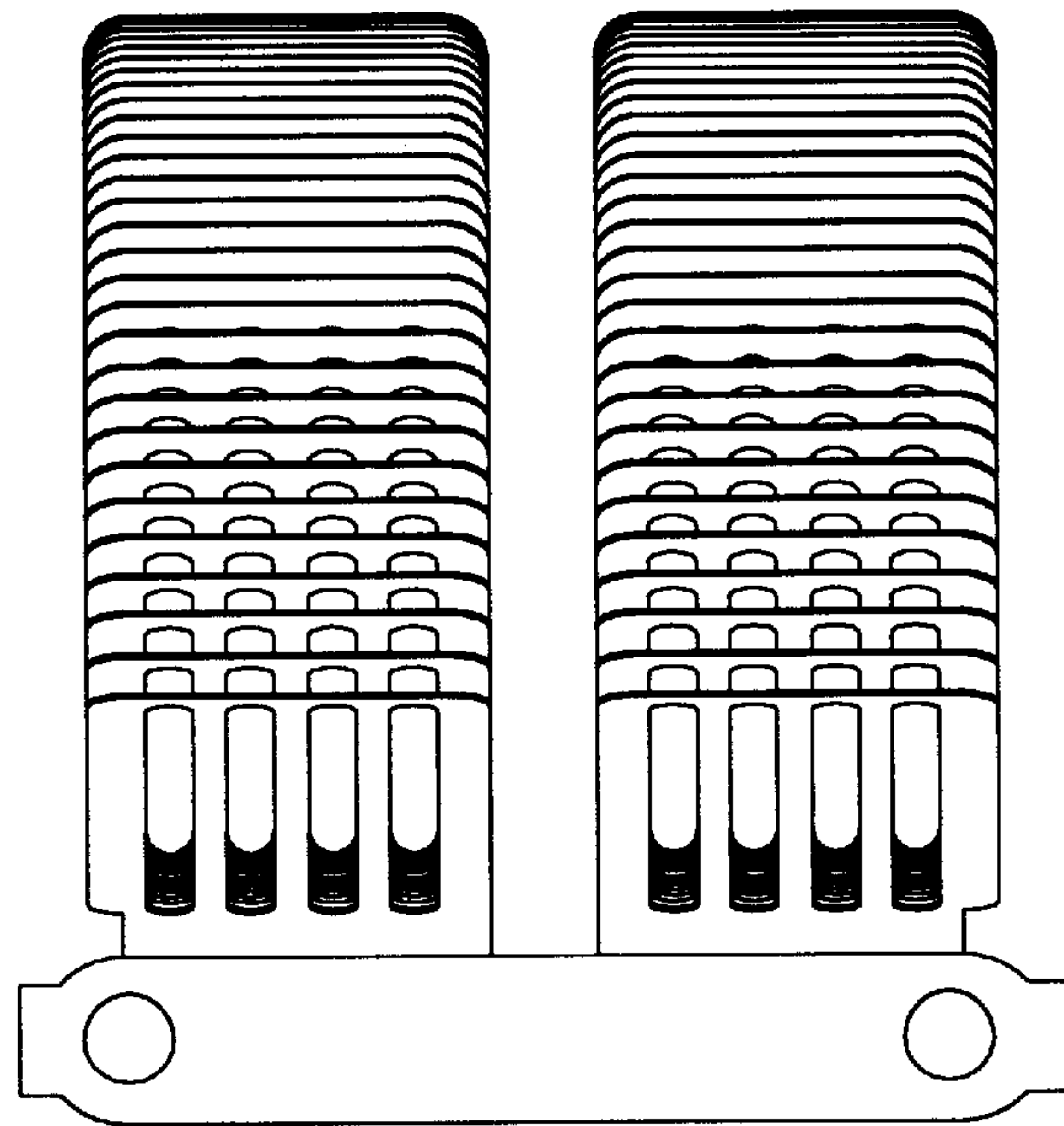


FIG. 4

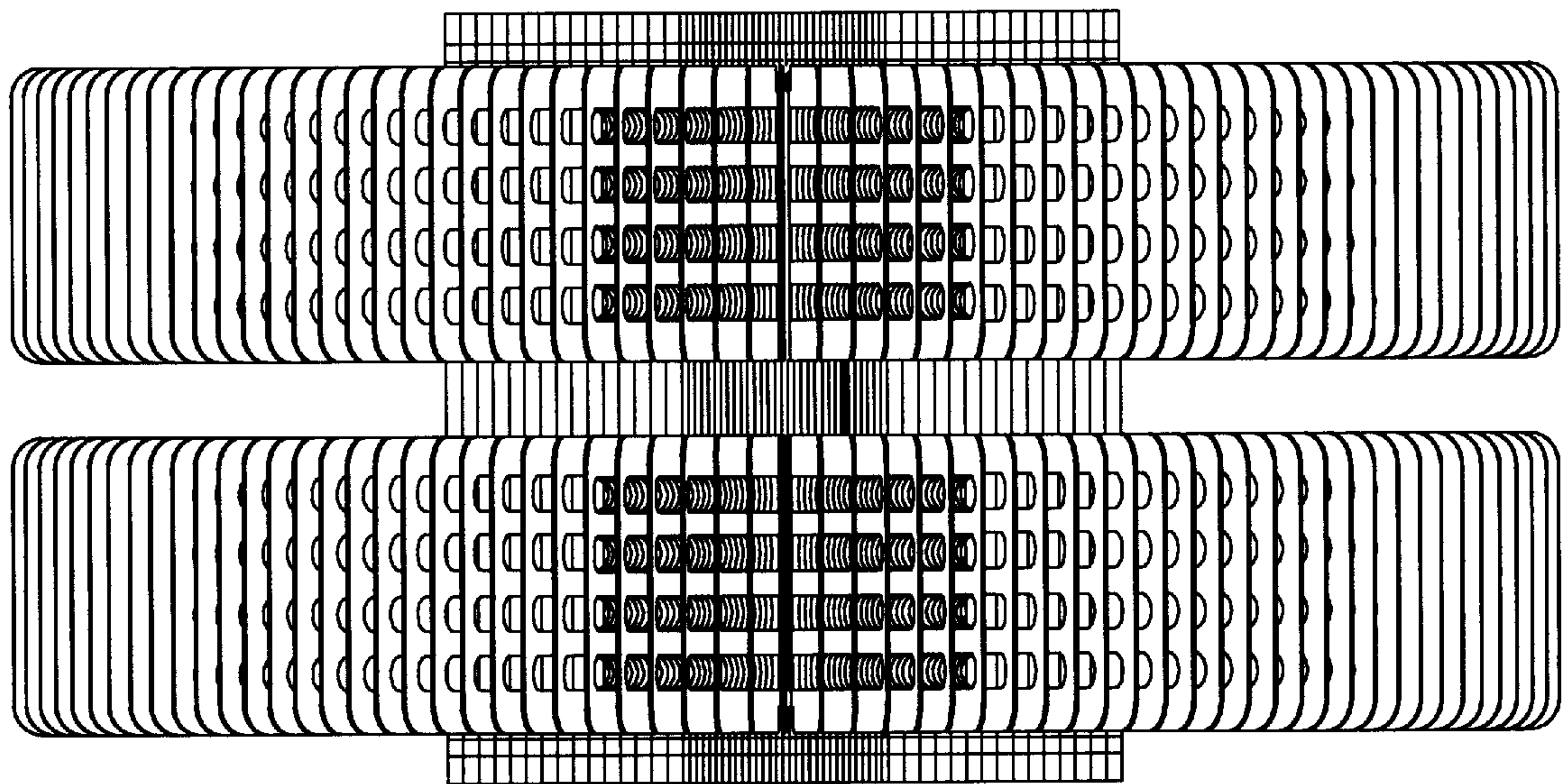


FIG. 5

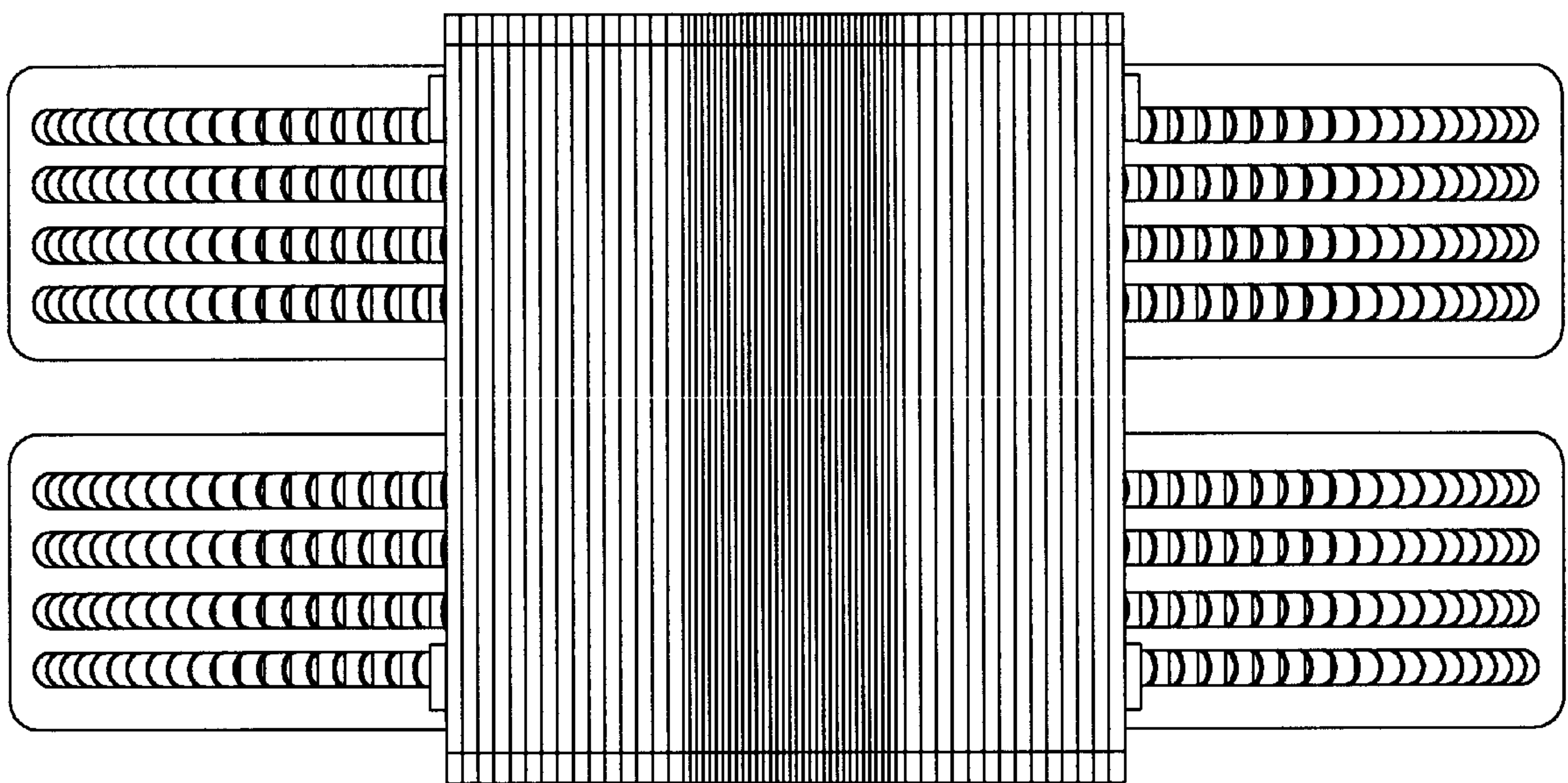


FIG. 6

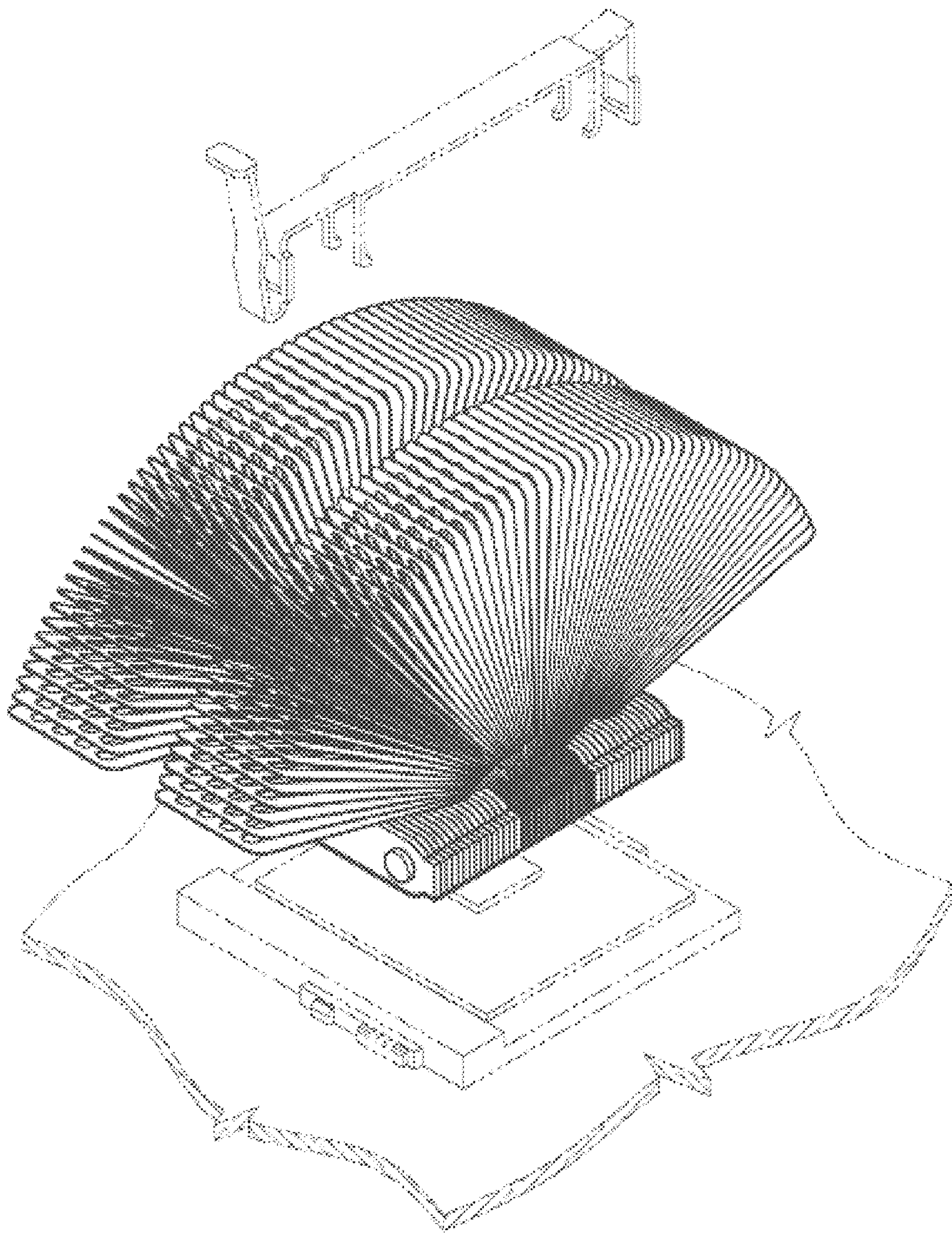


FIG. 7

