



US00D458228S

(12) **United States Design Patent**
Jacobson

(10) **Patent No.:** **US D458,228 S**

(45) **Date of Patent:** **** Jun. 4, 2002**

(54) **CATV HOUSING WITH HEAT SINK FINS**

(75) **Inventor:** **Bradford Allen Jacobson, Kent, WA (US)**

(73) **Assignee:** **ACI Communications, Inc., Kent, WA (US)**

(**) **Term:** **14 Years**

(21) **Appl. No.:** **29/133,330**

(22) **Filed:** **Nov. 27, 2000**

(51) **LOC (7) Cl.** **13-03**

(52) **U.S. Cl.** **D13/152; D13/179**

(58) **Field of Search** **D13/184, 179, D13/152; 174/16.3; 361/274.3, 271, 697, 702, 709-711, 719, 720, 514; 165/185; 439/485-487; 257/706-707, 718-722**

(56) **References Cited**

U.S. PATENT DOCUMENTS

- 3,421,578 A 1/1969 Marton
- D252,568 S 8/1979 Comstock
- 4,237,521 A 12/1980 Denker
- D292,914 S * 11/1987 Moeller D13/40
- D312,244 S 11/1990 Collins et al.

- 5,065,278 A * 11/1991 Schultz
- D329,426 S * 9/1992 Hutton D13/184
- 5,150,278 A 9/1992 Lynes et al.
- D336,074 S 6/1993 Friend et al.
- D379,088 S 5/1997 Hopper
- D395,897 S * 7/1998 Honma et al. D14/240
- D416,873 S * 11/1999 Korsunsky et al. D13/184

* cited by examiner

Primary Examiner—James Gandy

Assistant Examiner—Daniel Bui

(74) *Attorney, Agent, or Firm*—Black, Lowe & Graham PLLC

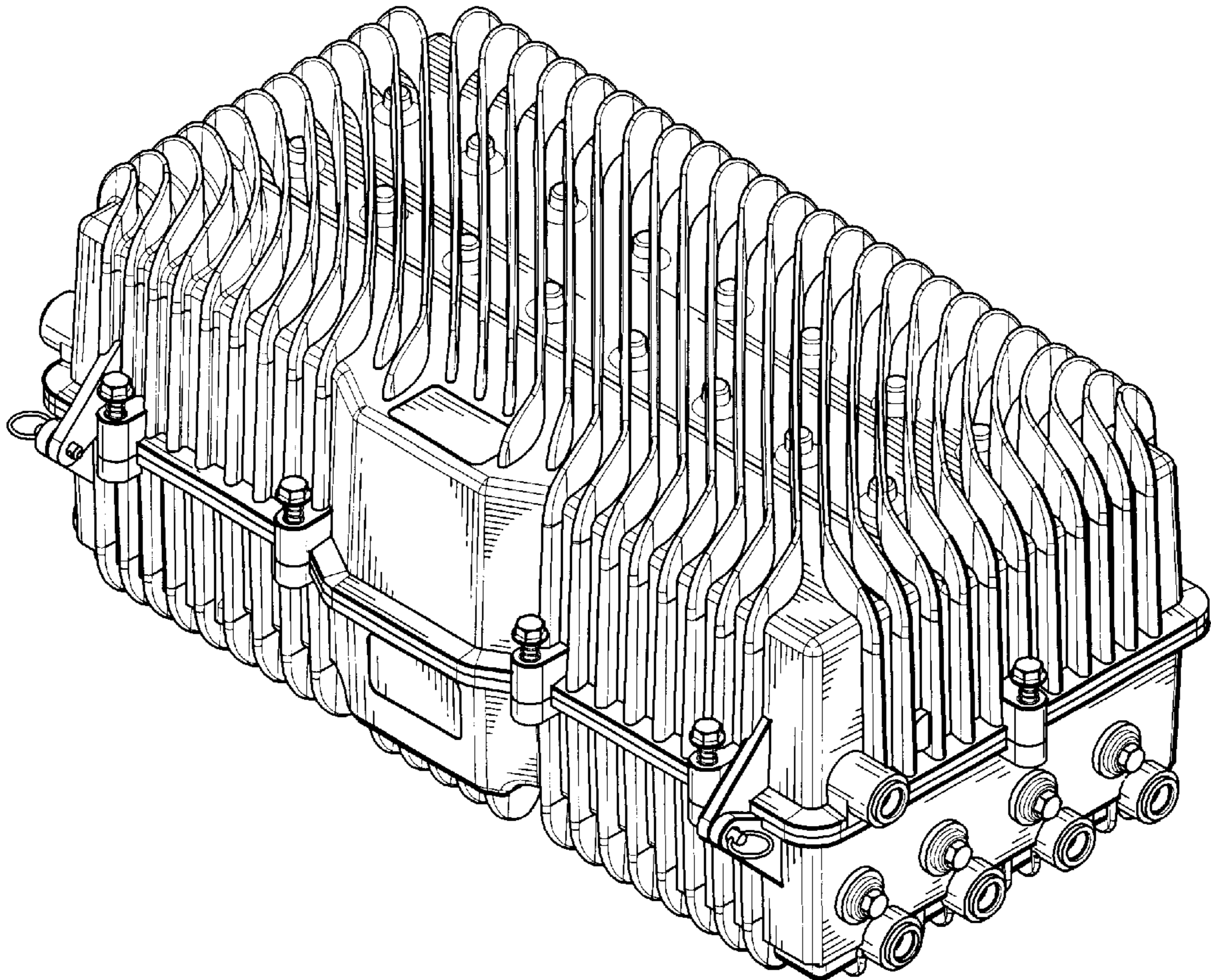
(57) **CLAIM**

The ornamental design for a CATV housing with heat sink fins, as shown.

DESCRIPTION

FIG. 1 is a top perspective view of the present invention; FIG. 2 is a right side view thereof; FIG. 3 is a left side view thereof; FIG. 4 is a front view thereof; FIG. 5 is a back view thereof; FIG. 6 is a top view thereof; and, FIG. 7 is a bottom view thereof.

1 Claim, 3 Drawing Sheets



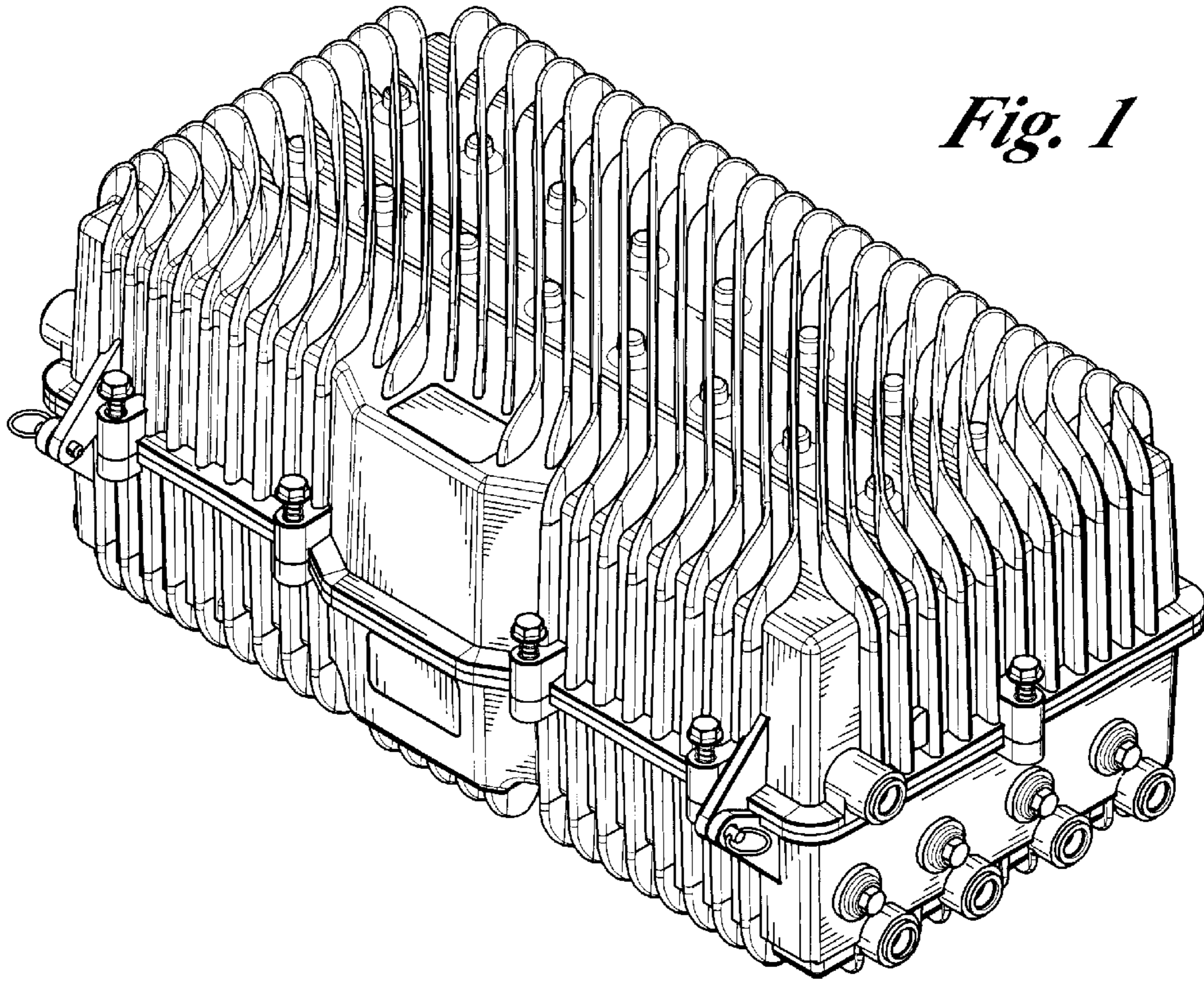


Fig. 1

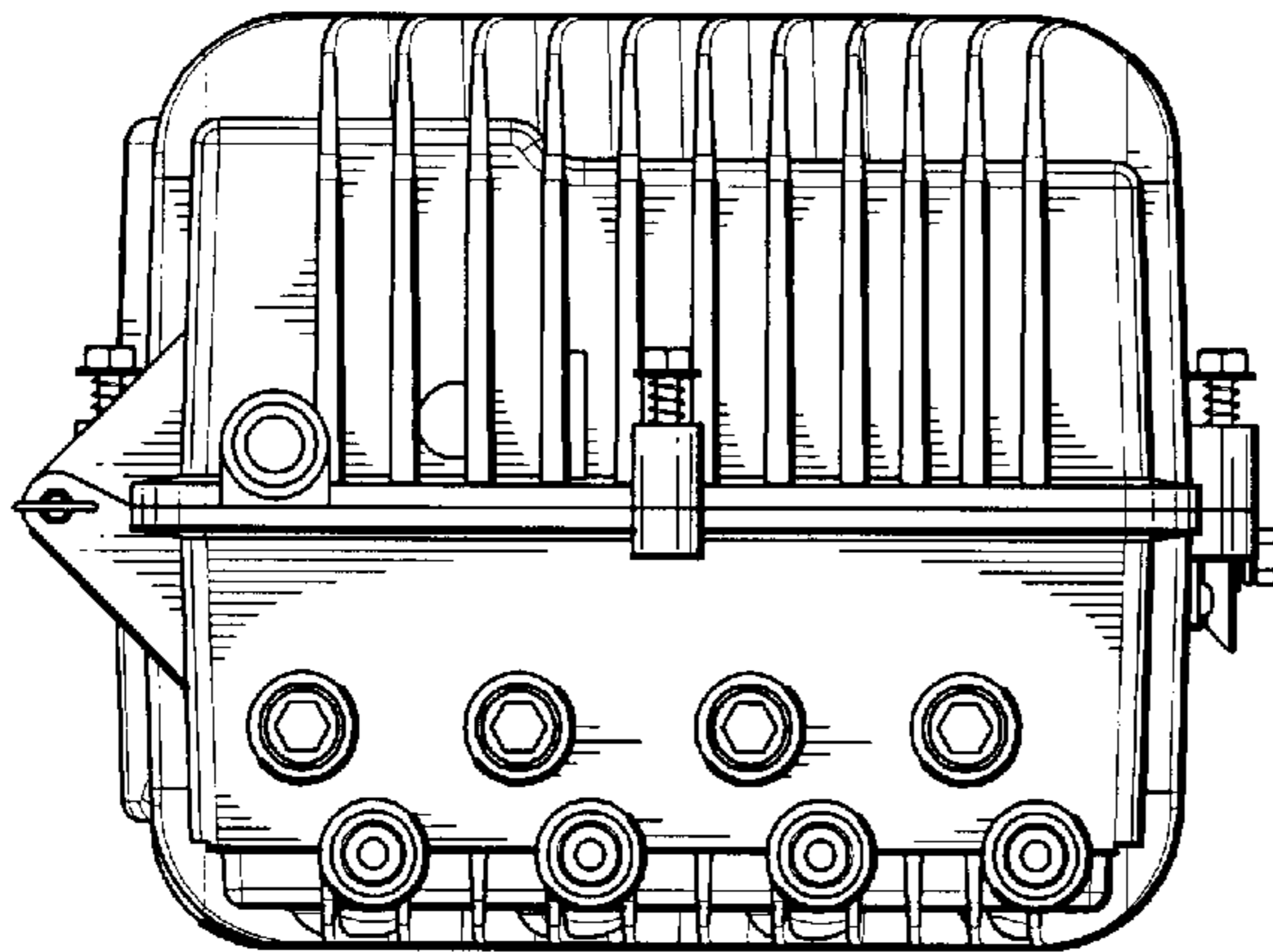


Fig. 2

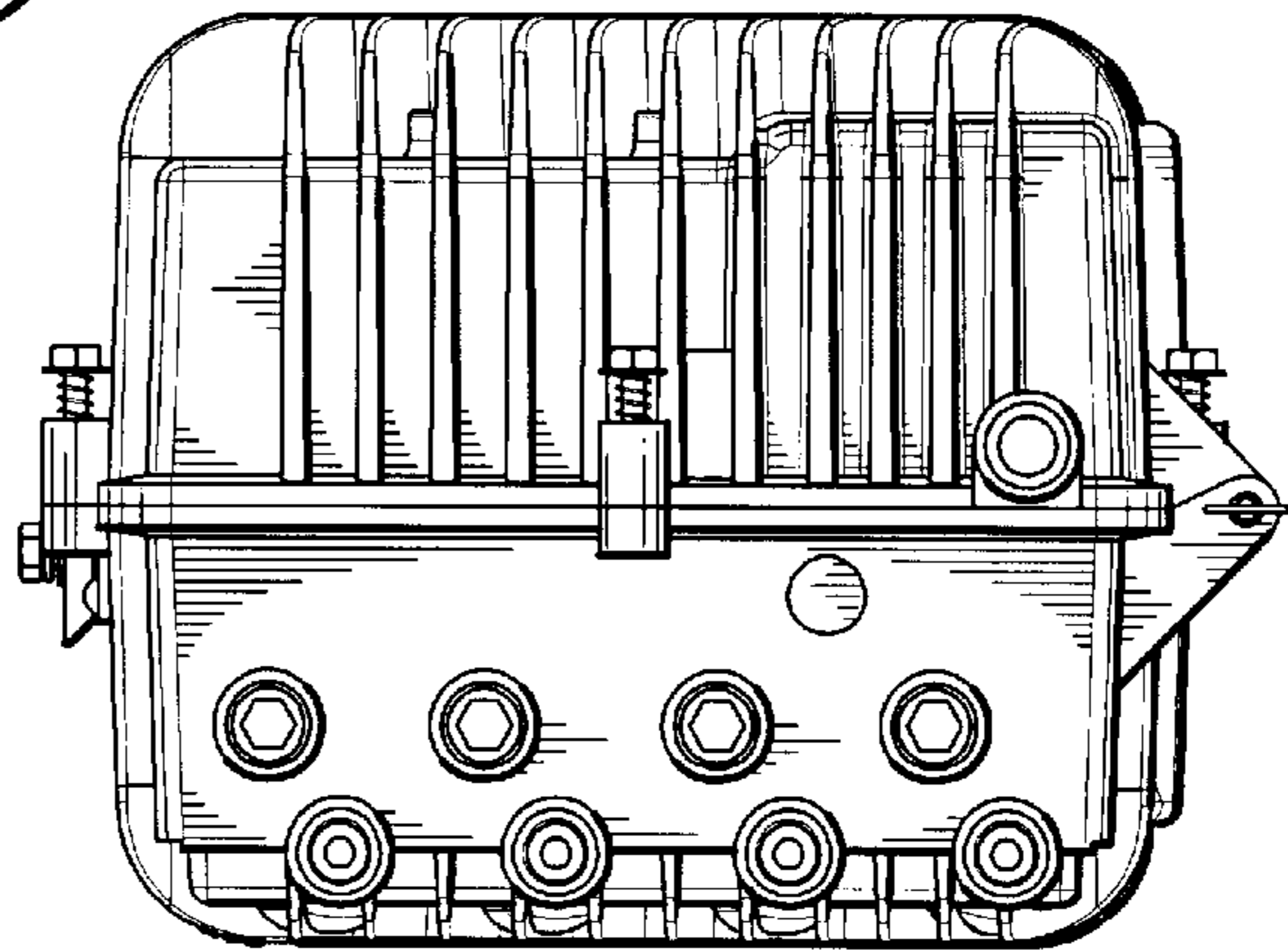


Fig. 3

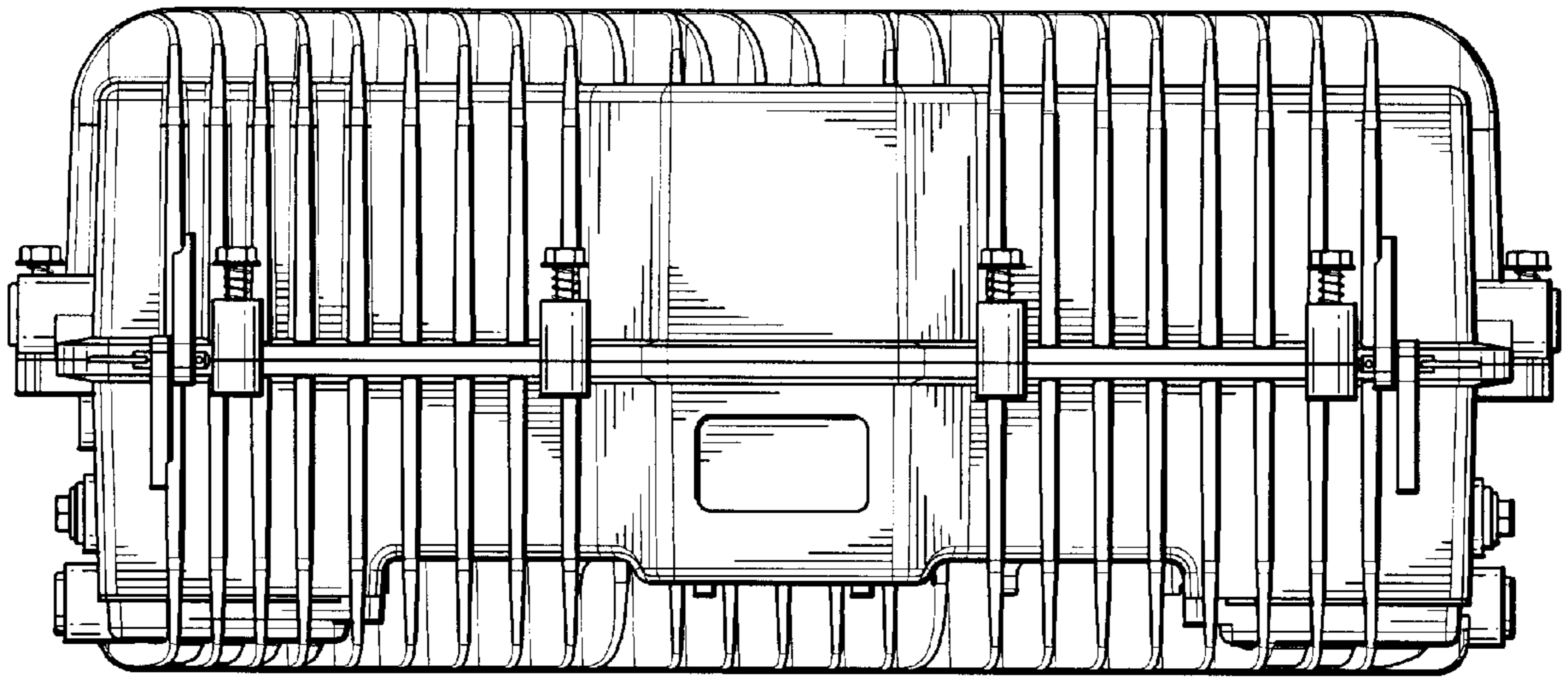


Fig. 4

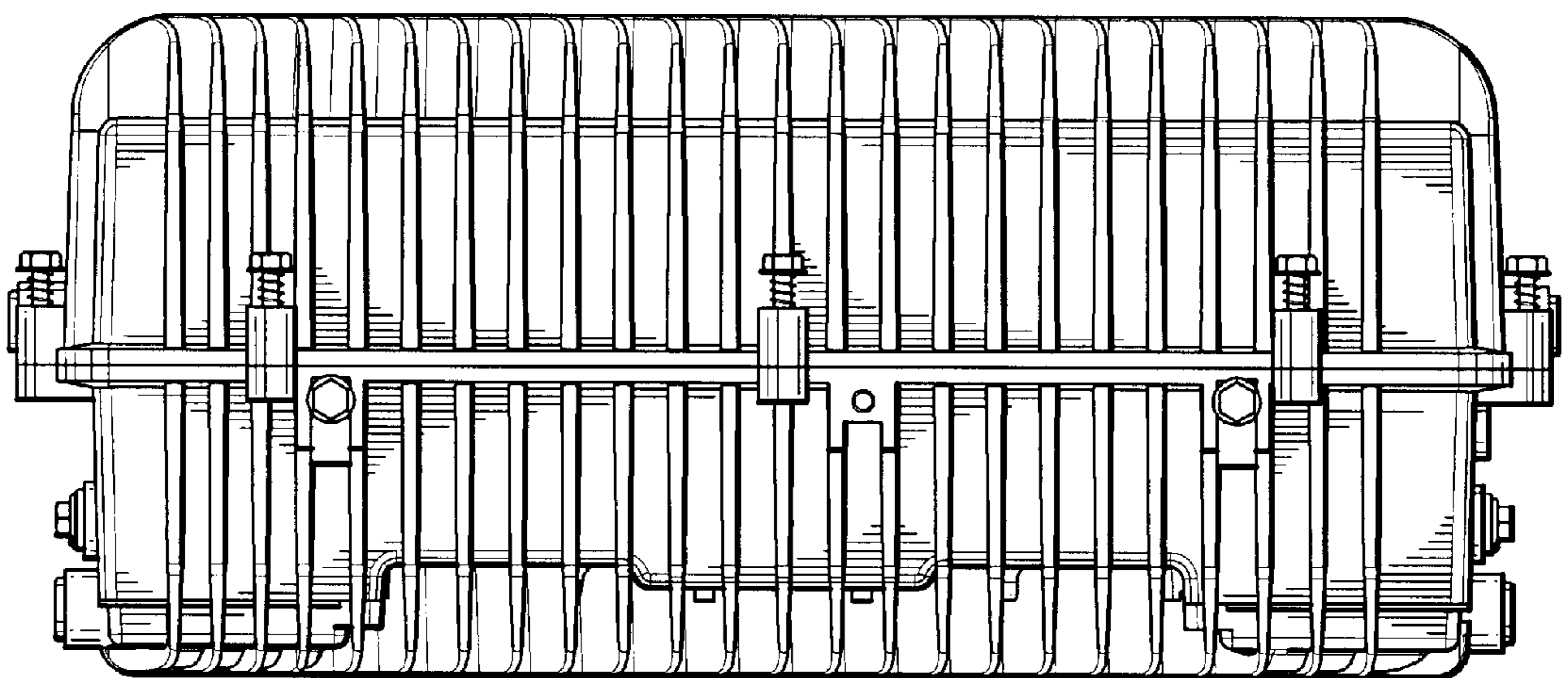


Fig. 5

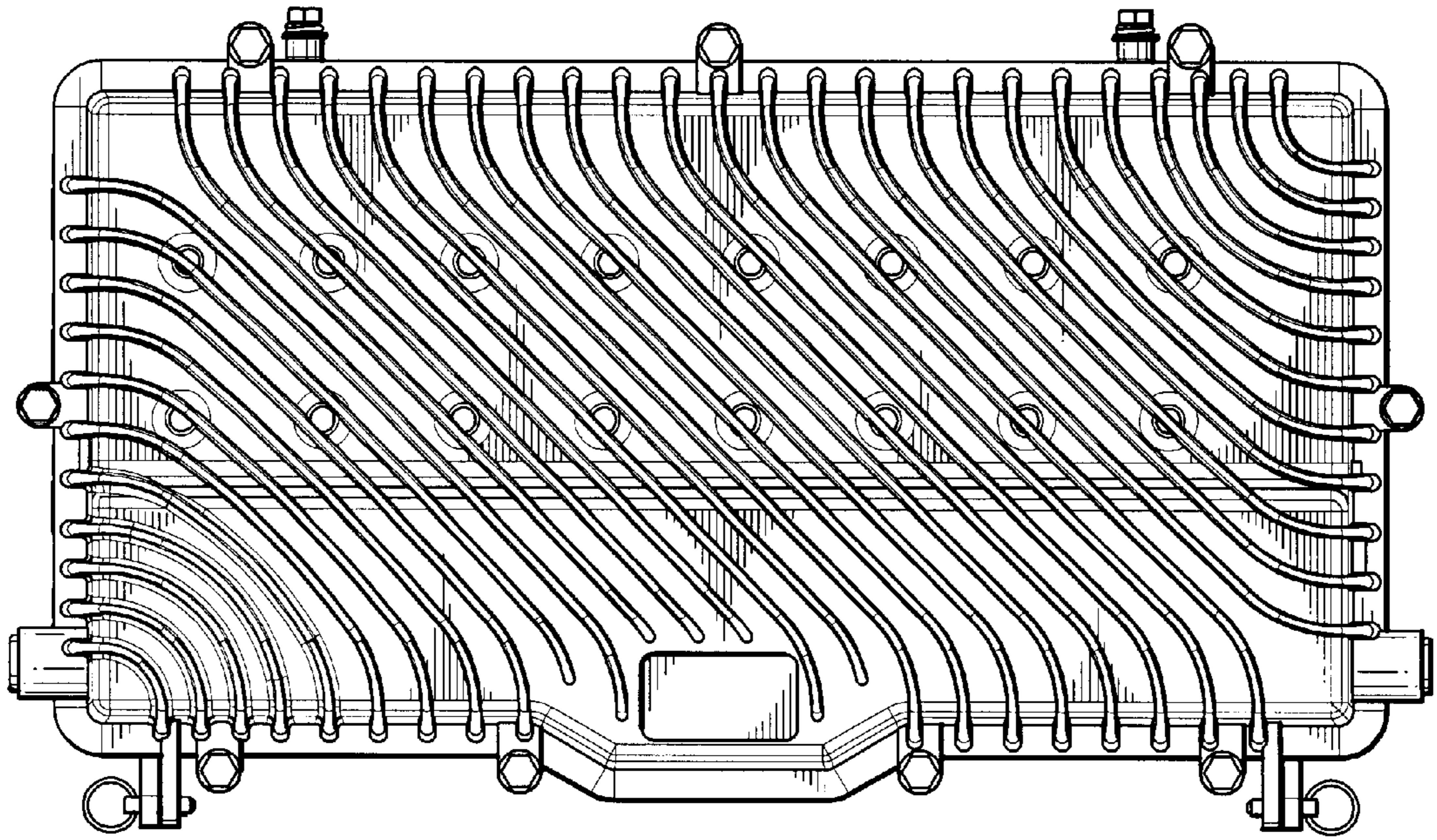


Fig. 6

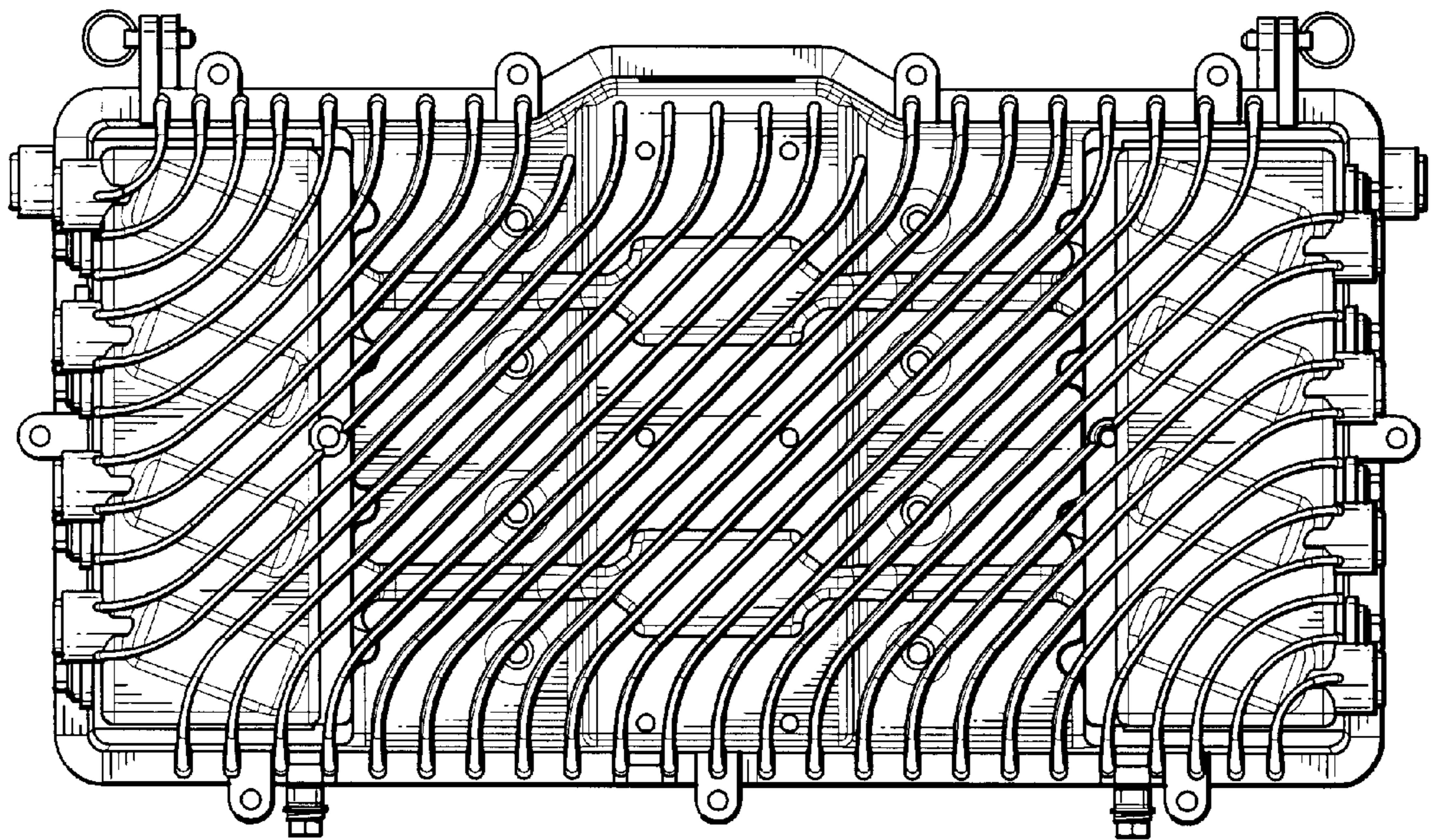


Fig. 7