



US00D458226S

(12) **United States Design Patent**
Chin et al.

(10) **Patent No.:** **US D458,226 S**

(45) **Date of Patent:** **** Jun. 4, 2002**

(54) **CONNECTOR DESIGN FOR WARMED EAR OXIMETER PROBE**

D384,643 S * 10/1997 Nierlich et al. D13/147
D427,565 S * 7/2000 Lok D13/147

(75) Inventors: **Rodney P. Chin**, Oakland; **Don Hannula**, San Luis Obsipo, both of CA (US); **Daniel Gronvall**, Port Angeles, WA (US)

* cited by examiner

Primary Examiner—Joel Sincavage
(74) *Attorney, Agent, or Firm*—Townsend and Townsend and Crew LLP

(73) Assignee: **Nellcor Puritan Bennett Incorporated**, Pleasanton, CA (US)

(57) **CLAIM**

(**) Term: **14 Years**

The ornamental design for connector design for warmed ear oximeter probe, as shown and described.

(21) Appl. No.: **29/143,979**

DESCRIPTION

(22) Filed: **Jun. 21, 2001**

FIG. 1 is a perspective view of a connector design for warmed ear oximeter probe showing our new design; FIG. 2 is a top plan view thereof; FIG. 3 is a front elevational view thereof; FIG. 4 is a right side elevational view, the left side elevational view being a mirror image thereof; FIG. 5 is a rear elevational view thereof; and, FIG. 6 is a bottom plan view thereof. The broken lines showing the cord in FIGS. 1 and 5 are included for the purpose of illustrating environmental structure only and form no part of the claimed design.

(51) **LOC (7) Cl.** **13-03**

(52) **U.S. Cl.** **D13/147; D13/145**

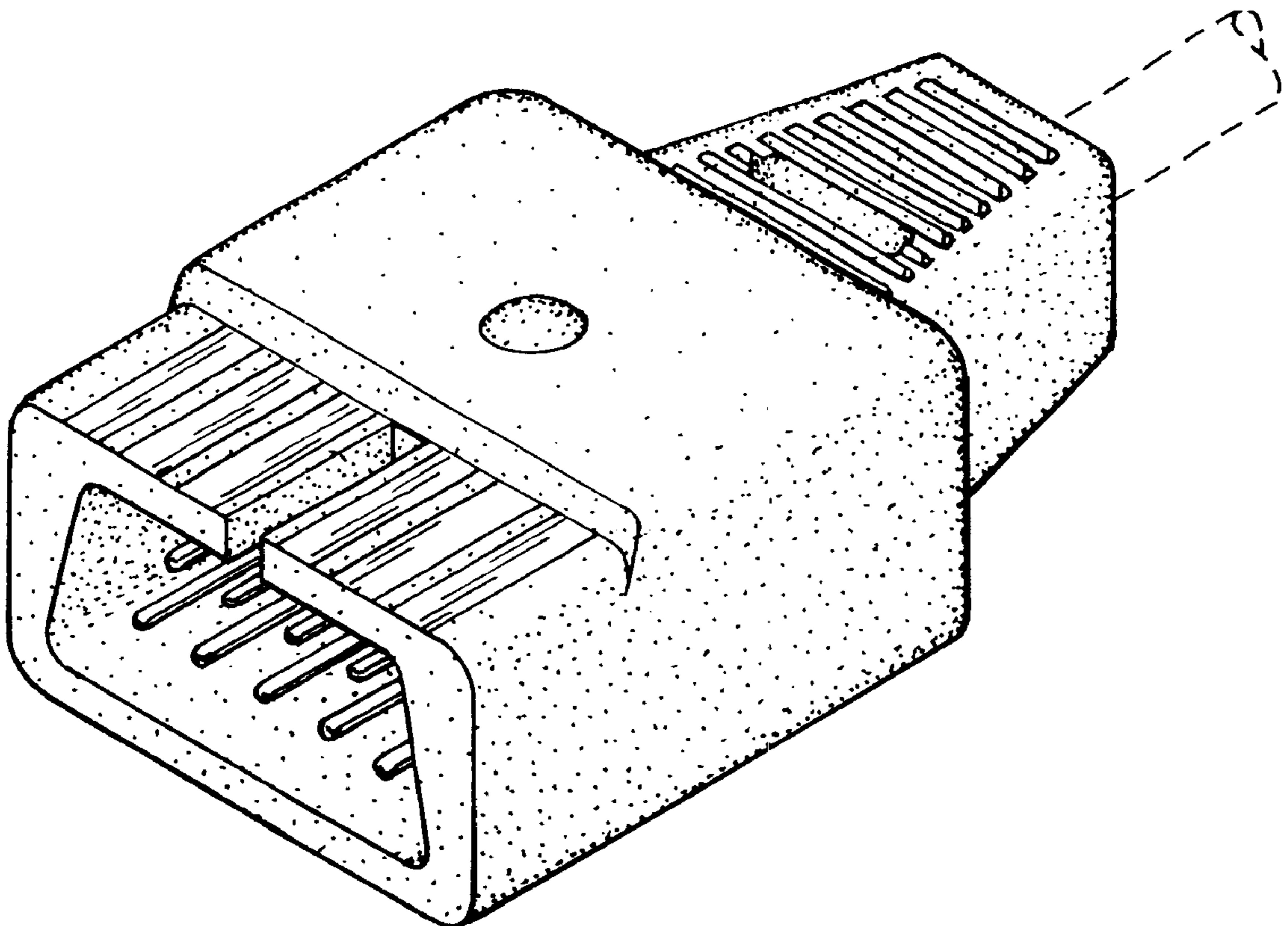
(58) **Field of Search** **D13/147, 145; 439/350, 352, 353, 354, 357, 752, 358**

(56) **References Cited**

U.S. PATENT DOCUMENTS

3,239,791 A * 3/1966 Fyrk 439/144
5,660,567 A * 8/1997 Nierlich et al. 439/620

1 Claim, 1 Drawing Sheet



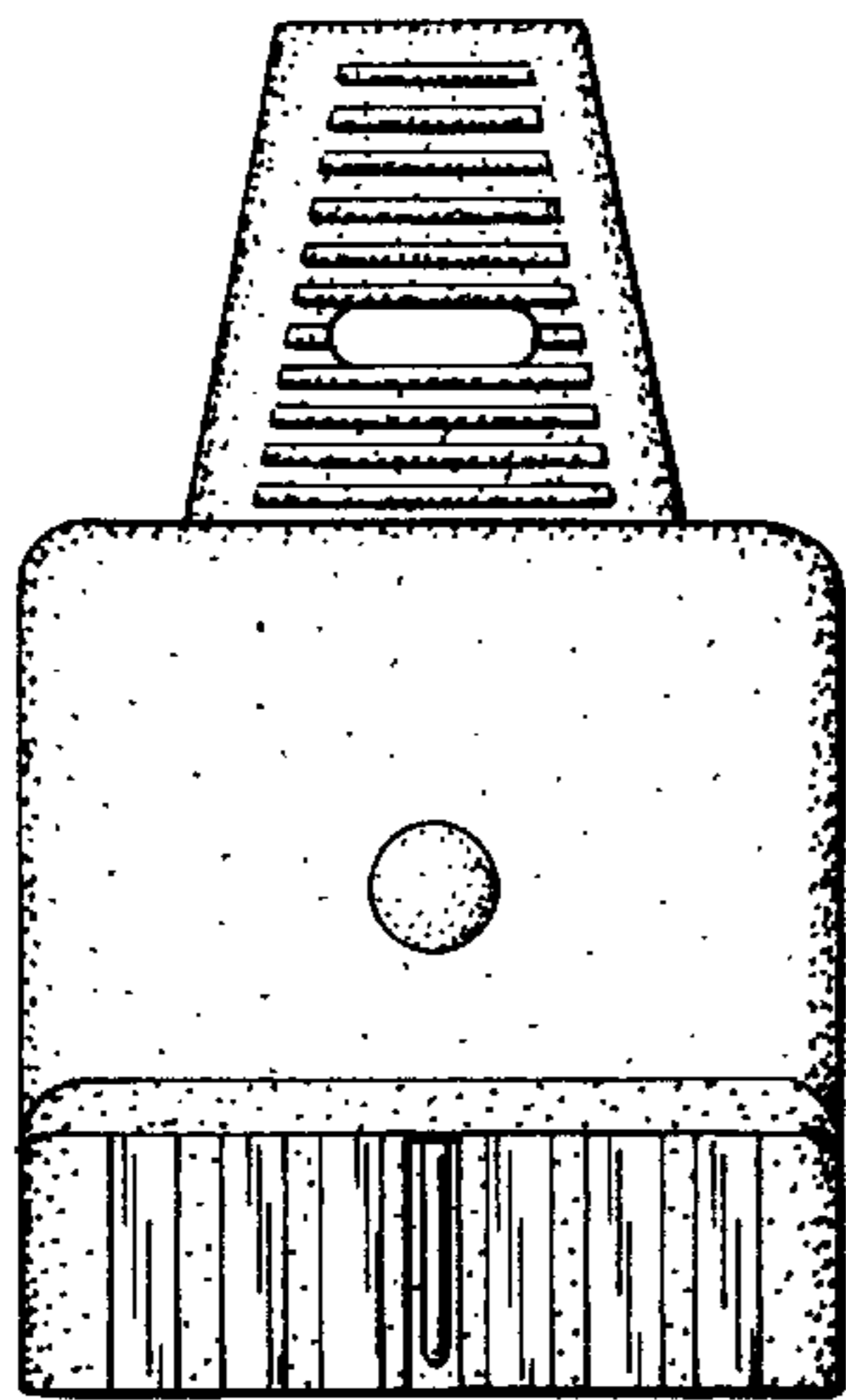


FIG. 2.

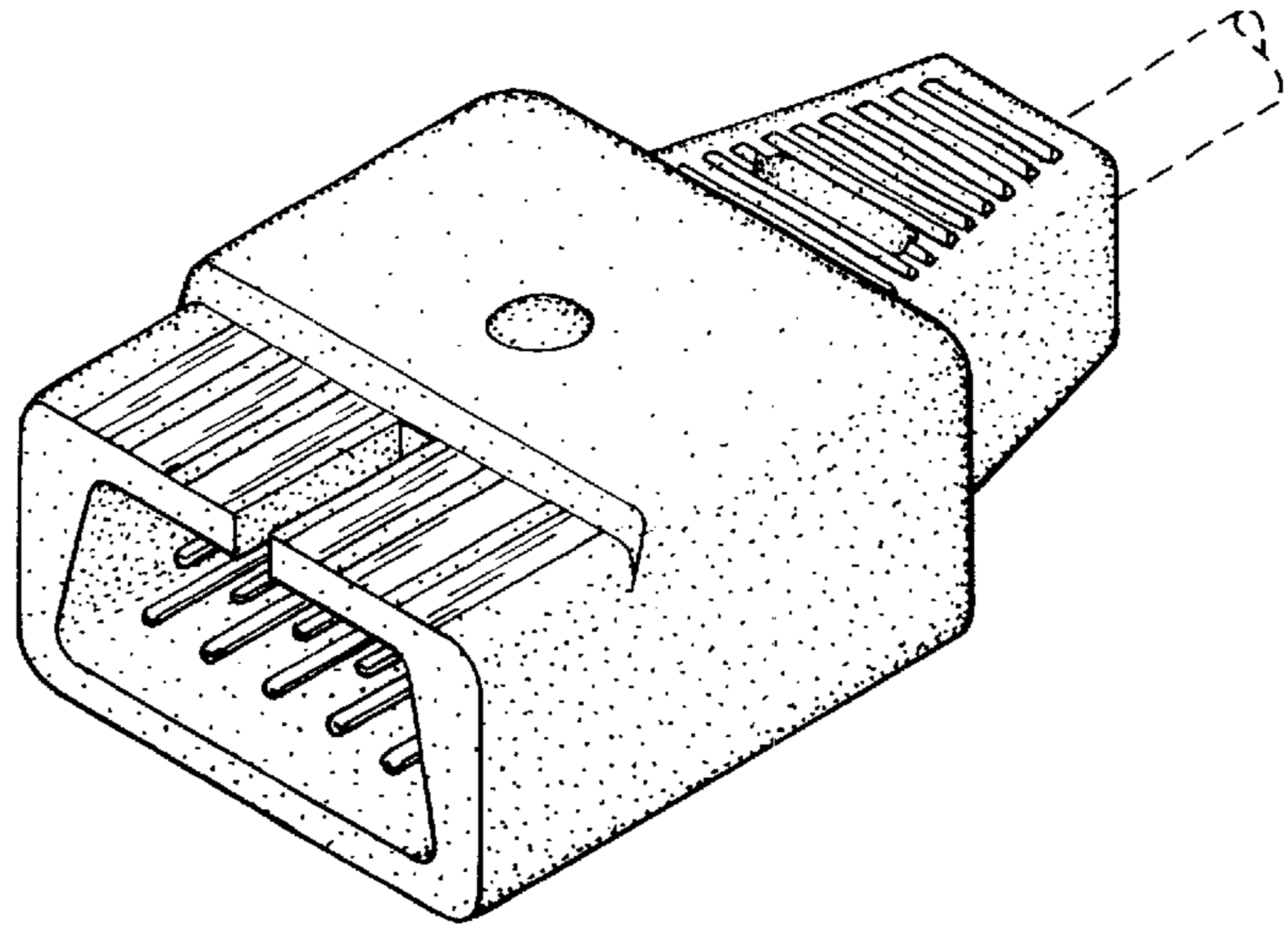


FIG. 1.

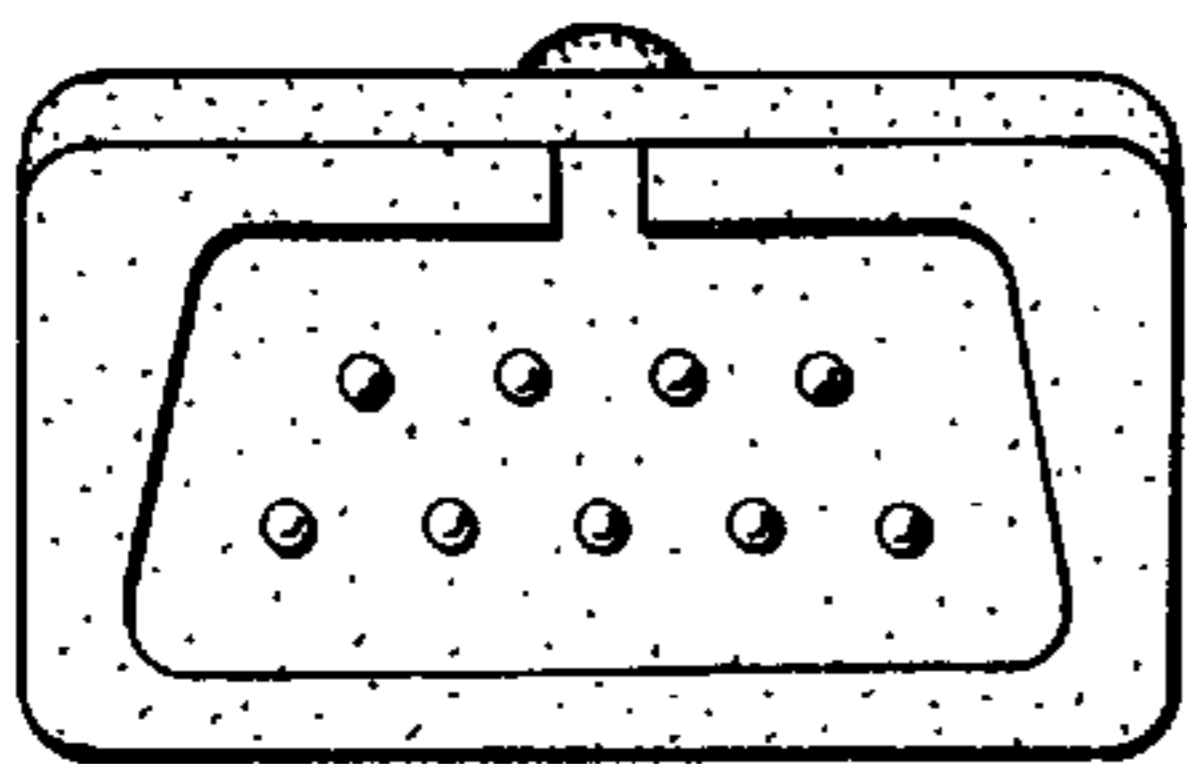


FIG. 3.

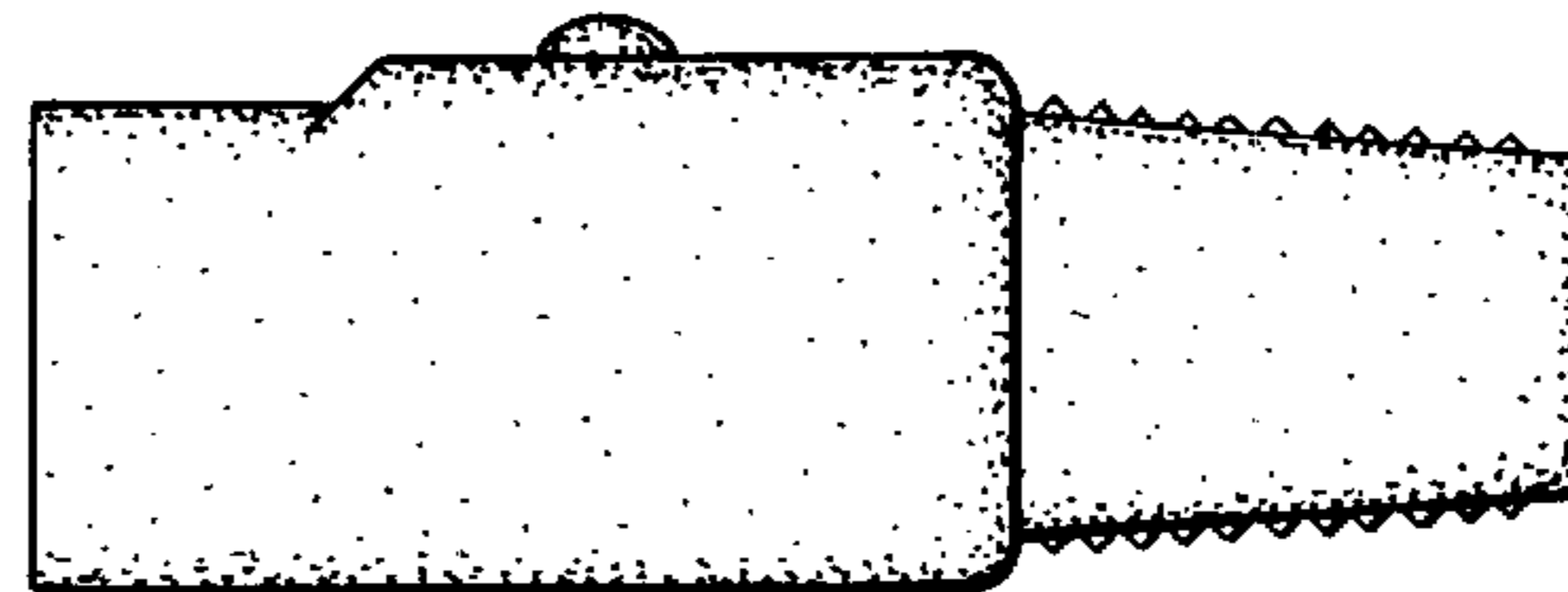


FIG. 4.

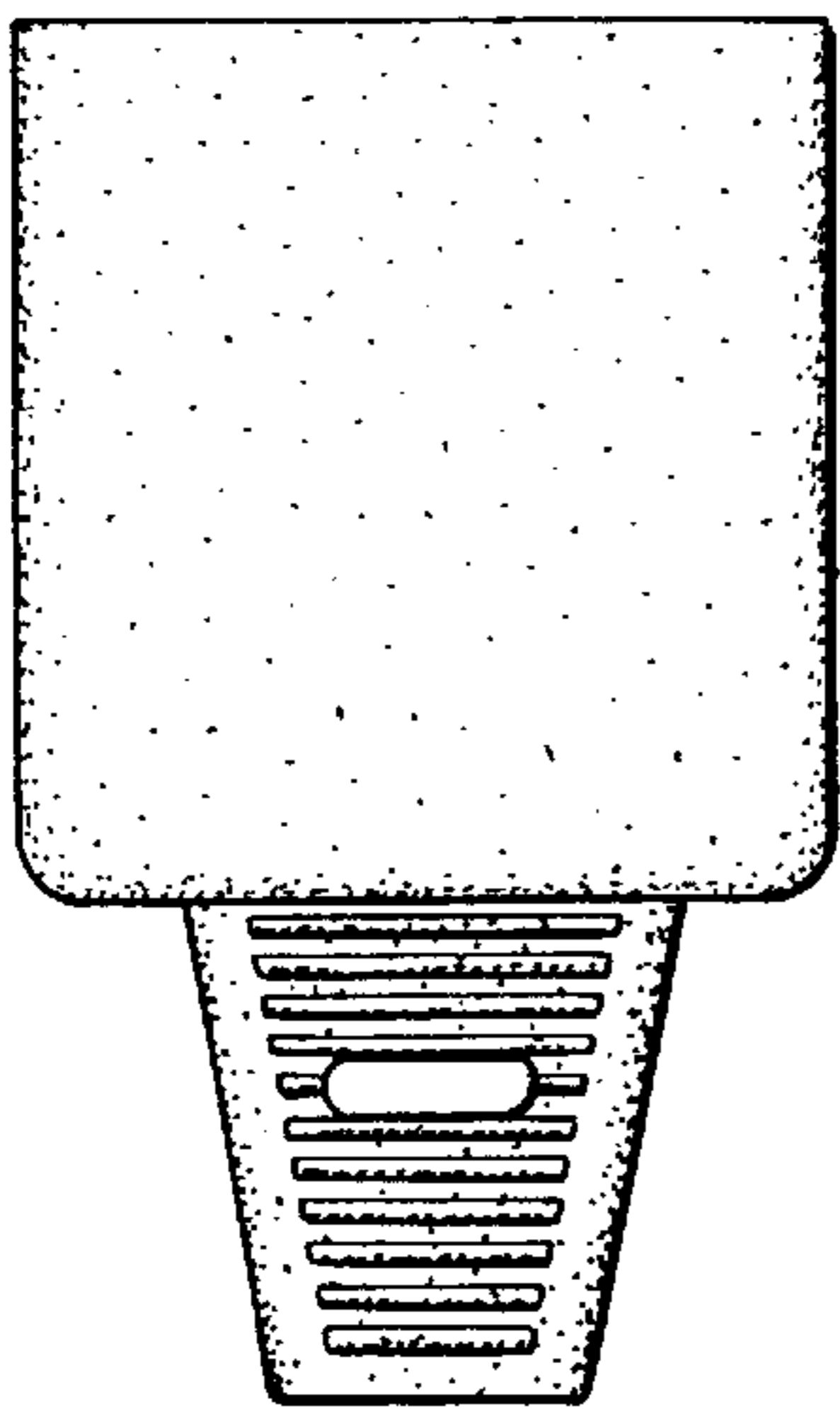


FIG. 6.

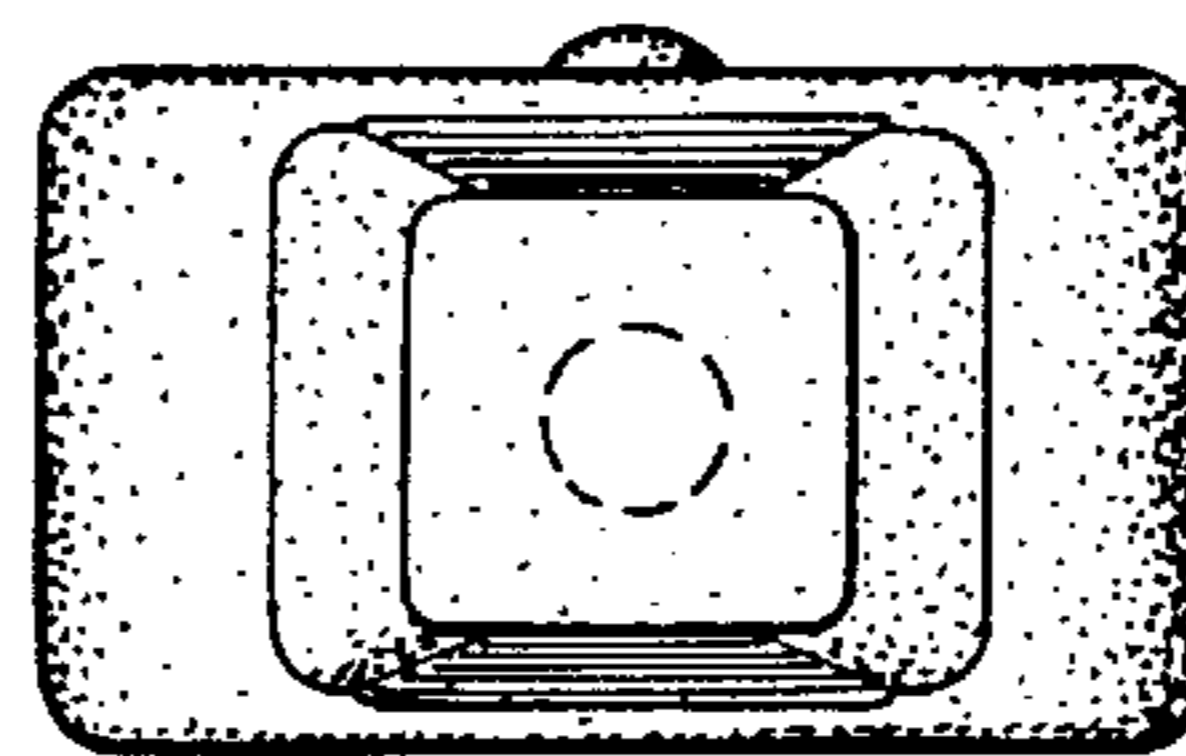


FIG. 5.