



US00D458222S

(12) **United States Design Patent**  
**Asao et al.**

(10) **Patent No.:** **US D458,222 S**  
(45) **Date of Patent:** **\*\* Jun. 4, 2002**

- (54) **STATOR OF AC GENERATOR FOR VEHICLES**
- (75) Inventors: **Yoshihito Asao; Katsumi Adachi**, both of Tokyo (JP)
- (73) Assignee: **Mitsubishi Denki Kabushiki Kaisha**, Tokyo (JP)
- (\*\*) Term: **14 Years**

6,011,338 A	*	1/2000	Bell et al. ....	310/184
D425,857 S	*	5/2000	Umeda et al. ....	D13/118
D426,191 S	*	6/2000	Umeda et al. ....	D13/122
D434,994 S	*	12/2000	Ferreira .....	D11/26
D447,114 S		8/2001	Asao et al.	
D447,115 S		8/2001	Asao et al.	
D447,731 S		9/2001	Asao et al.	
D448,004 S		9/2001	Asao et al.	
D448,343 S		9/2001	Asao et al.	

- (21) Appl. No.: **29/146,790**
- (22) Filed: **Aug. 17, 2001**

**Related U.S. Application Data**

- (62) Division of application No. 29/124,817, filed on Jun. 13, 2000, now Pat. No. Des. 448,729.

(30) **Foreign Application Priority Data**

Dec. 14, 1999 (JP) ..... 11-34431

- (51) **LOC (7) Cl.** ..... **13-01**
- (52) **U.S. Cl.** ..... **D13/122**
- (58) **Field of Search** ..... D13/118, 122;  
310/52, 179, 180, 201, 254-260; D11/26;  
63/15, 15.9; 29/8, 896.412

(56) **References Cited**

**U.S. PATENT DOCUMENTS**

3,194,993 A	*	7/1965	Hackney .....	310/43
3,453,468 A	*	7/1969	Lund .....	310/180
3,792,299 A	*	2/1974	Hallerback .....	310/258
D250,005 S	*	10/1978	Christofferson .....	D11/38
4,481,438 A	*	11/1984	Keim .....	310/201
5,396,137 A	*	3/1995	Shinto et al. ....	310/156
5,998,903 A	*	12/1999	Umeda et al. ....	310/179

**FOREIGN PATENT DOCUMENTS**

JP	09103052 A	*	4/1997
JP	411122854	*	4/1999
JP	2001178093	*	4/2001
JP	2001119883	*	6/2001

\* cited by examiner

*Primary Examiner*—Joel Sincavage

(74) *Attorney, Agent, or Firm*—Oblon, Spivak, McClelland, Maier & Neustadt, P.C.

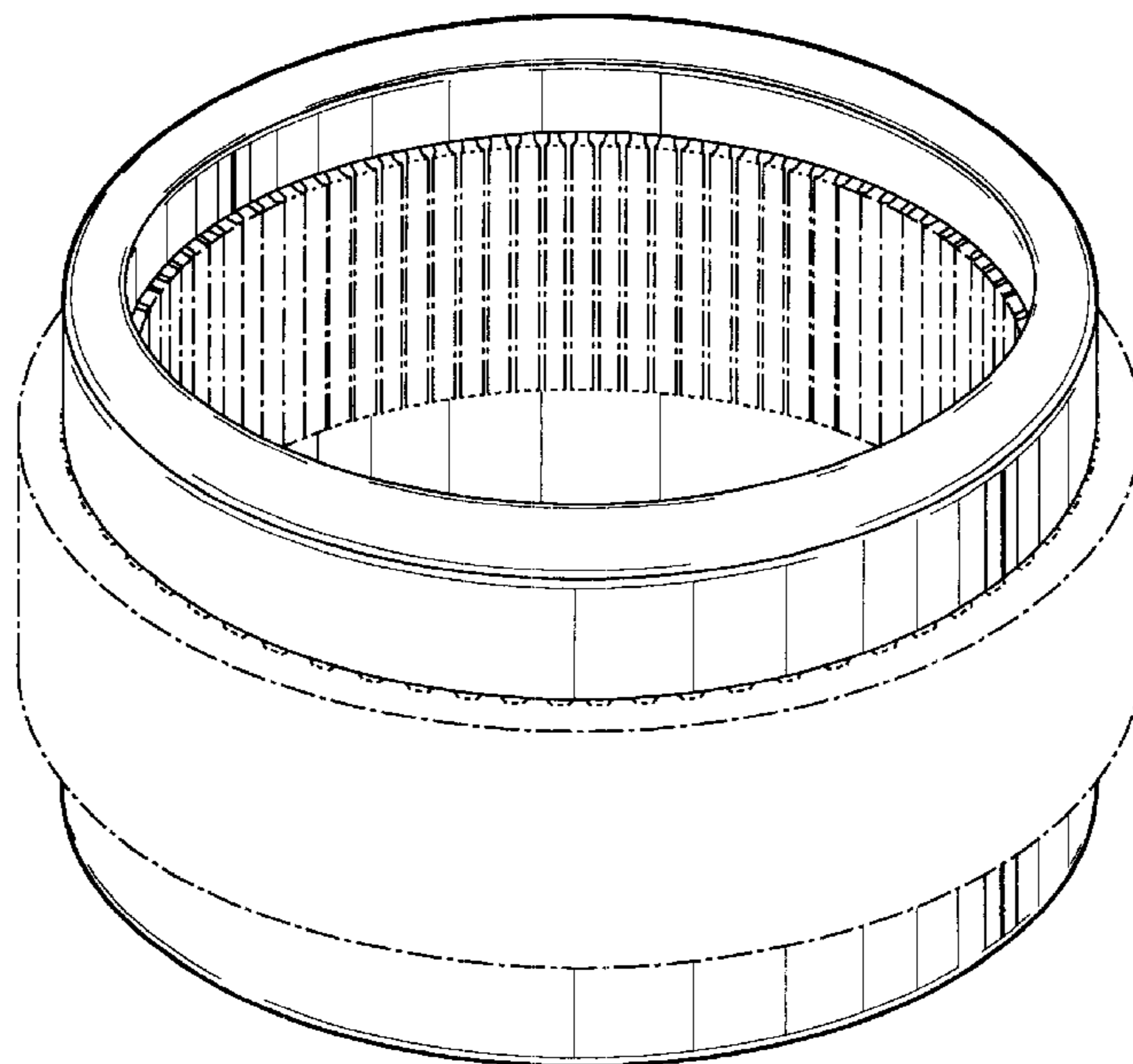
(57) **CLAIM**

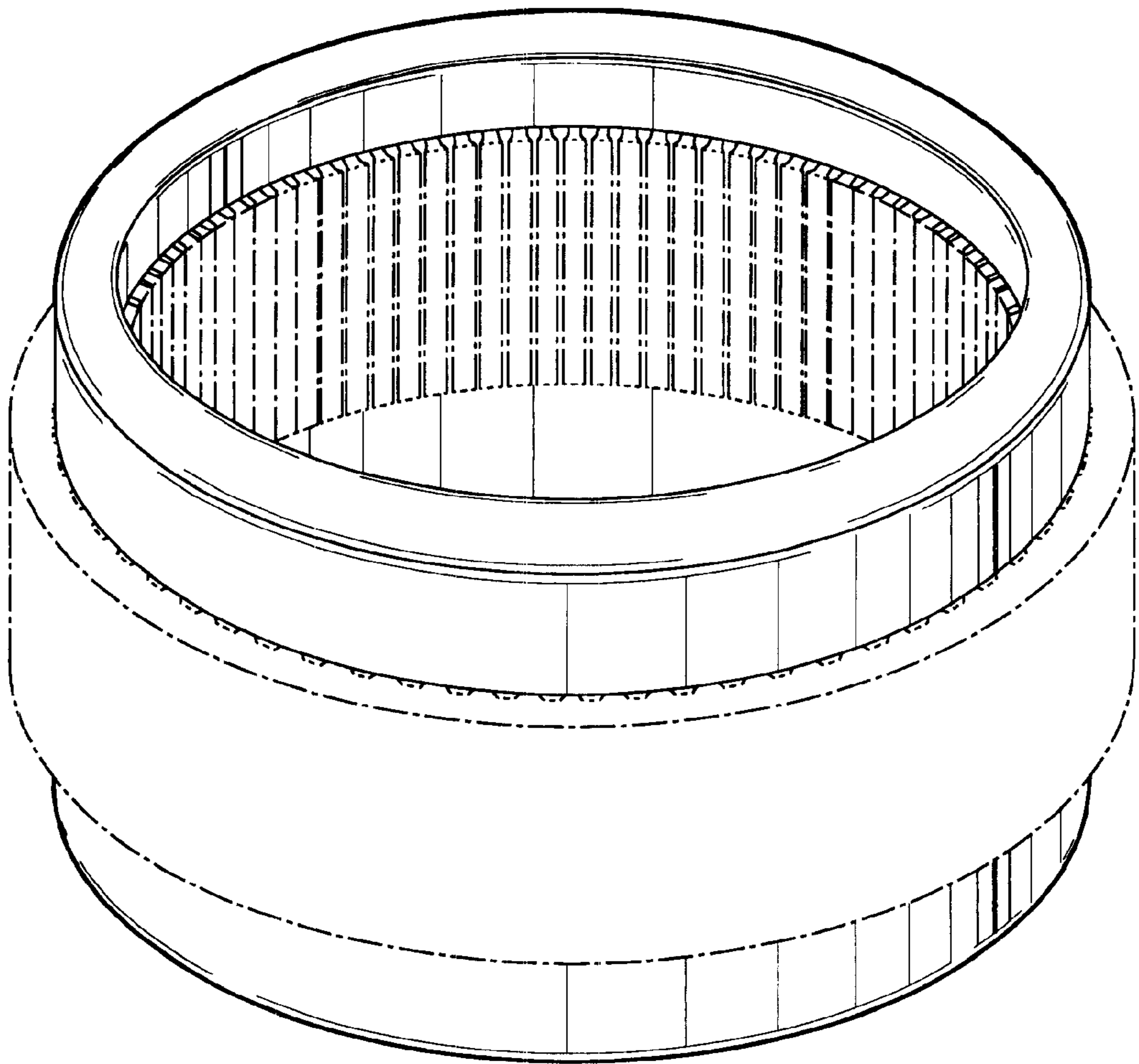
The ornamental design for a stator of AC generator for vehicles, as shown and described.

**DESCRIPTION**

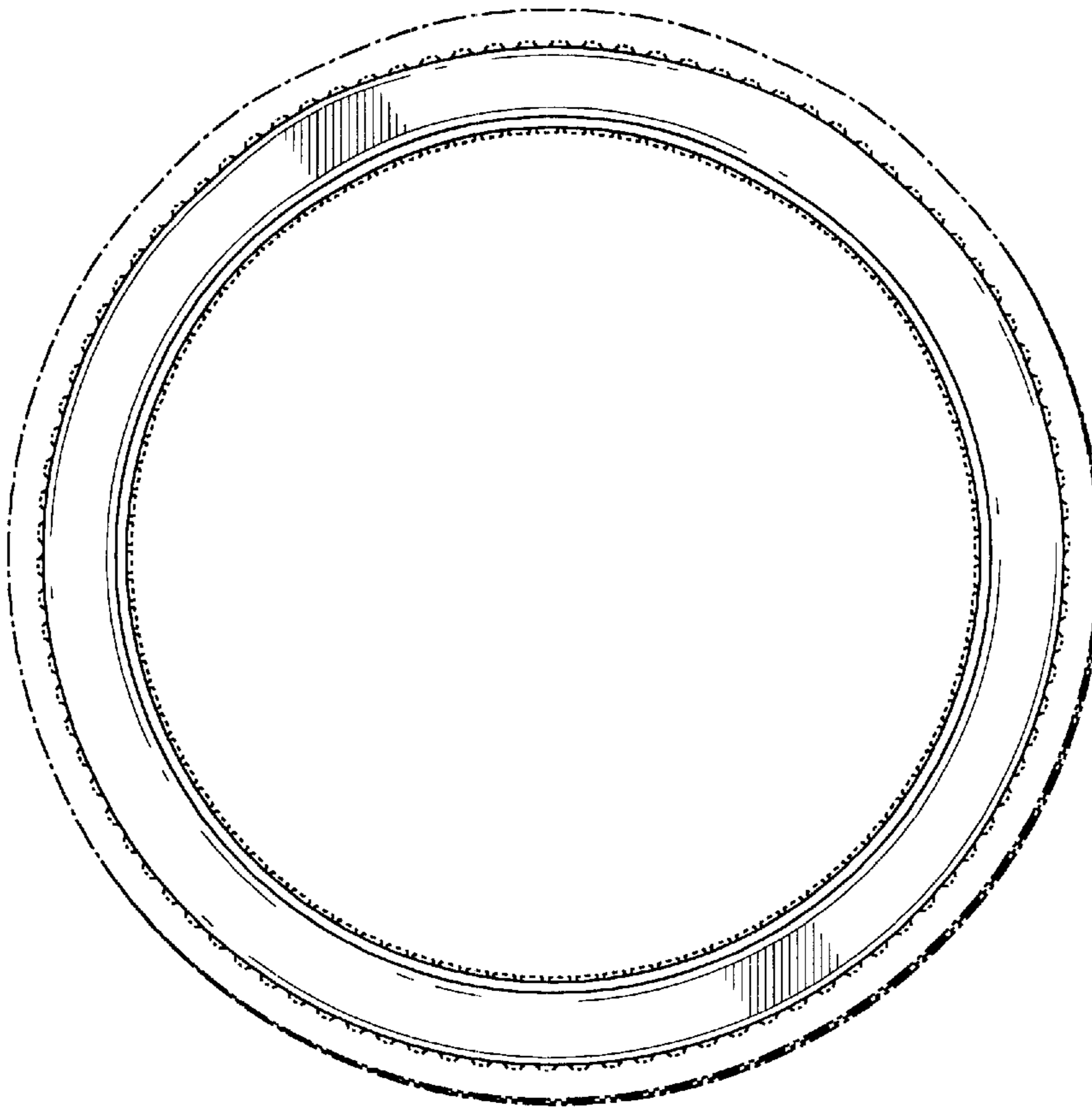
FIG. 1 is a front and top side perspective view of a stator of AC generator for vehicles showing our new design; FIG. 2 is a front elevational view thereof; FIG. 3 is a top plan view thereof; FIG. 4 is a rear elevational view thereof; FIG. 5 is a bottom plan view thereof; FIG. 6 is a right side elevational view thereof; and, FIG. 7 is a left side elevational view thereof. The broken line showing is for illustrative purposes only and forms no part of the claimed design.

**1 Claim, 4 Drawing Sheets**

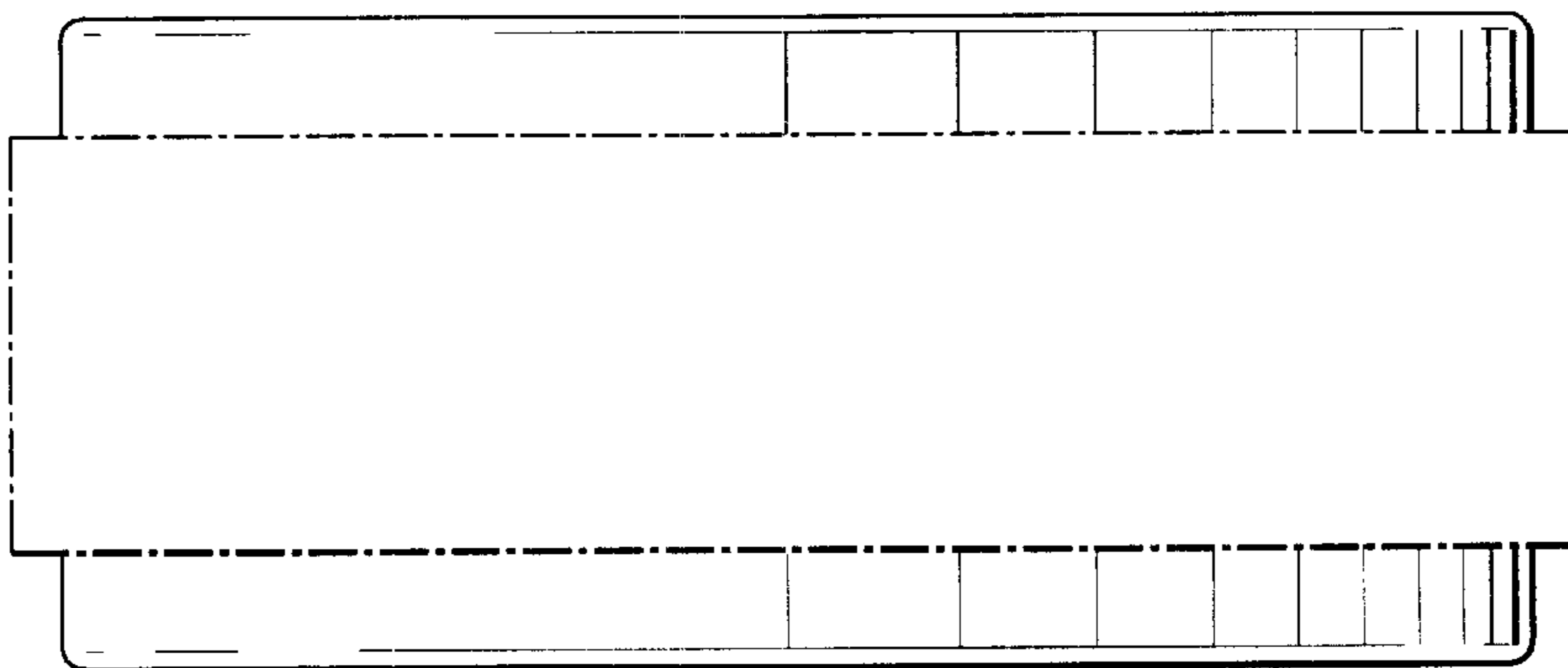




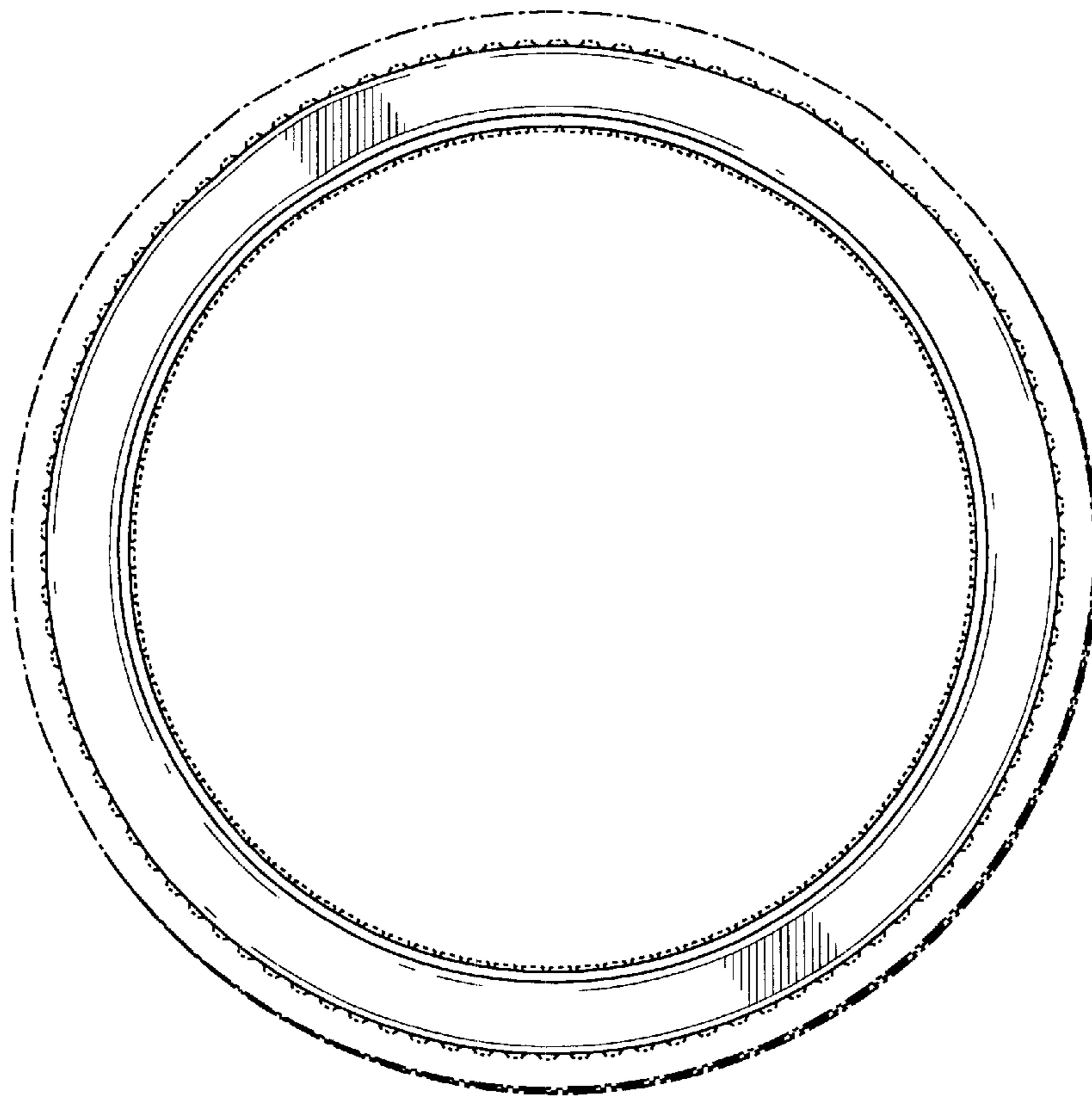
*FIG. 1*



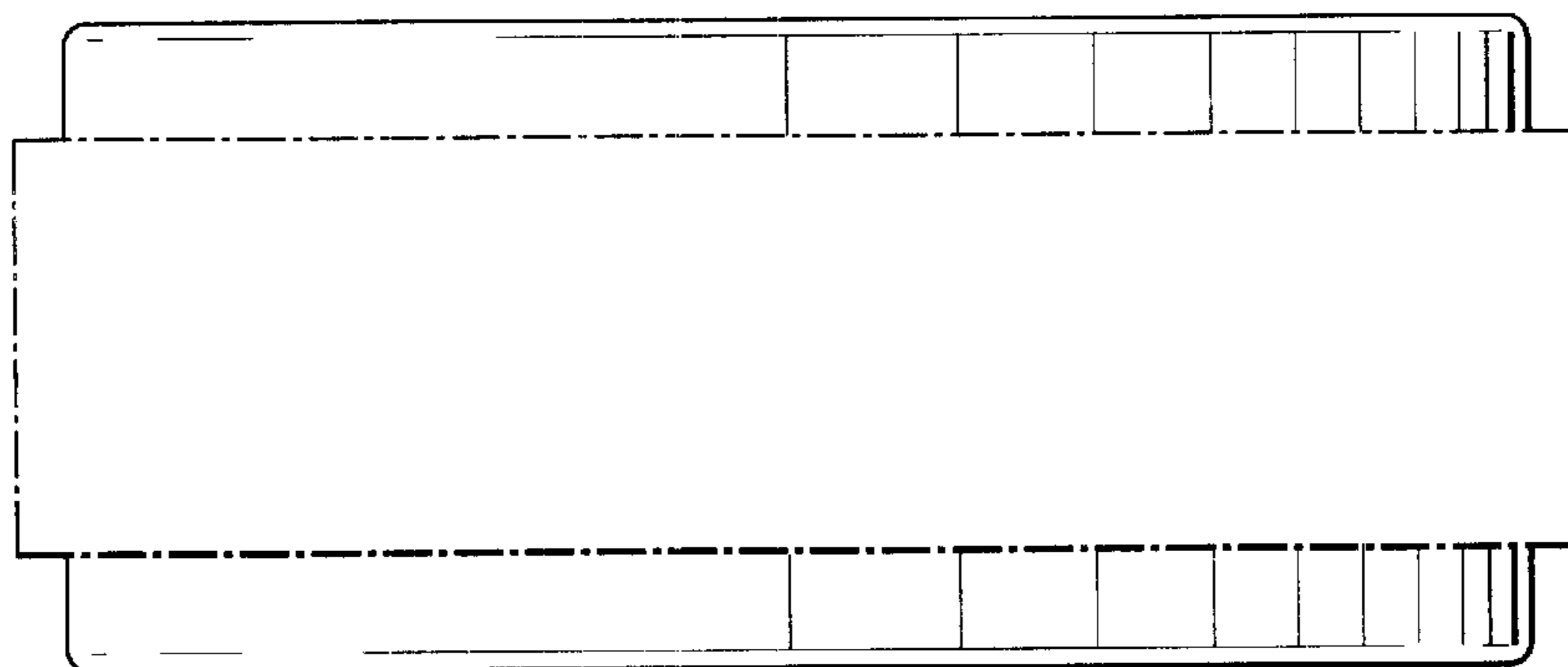
*FIG. 2*



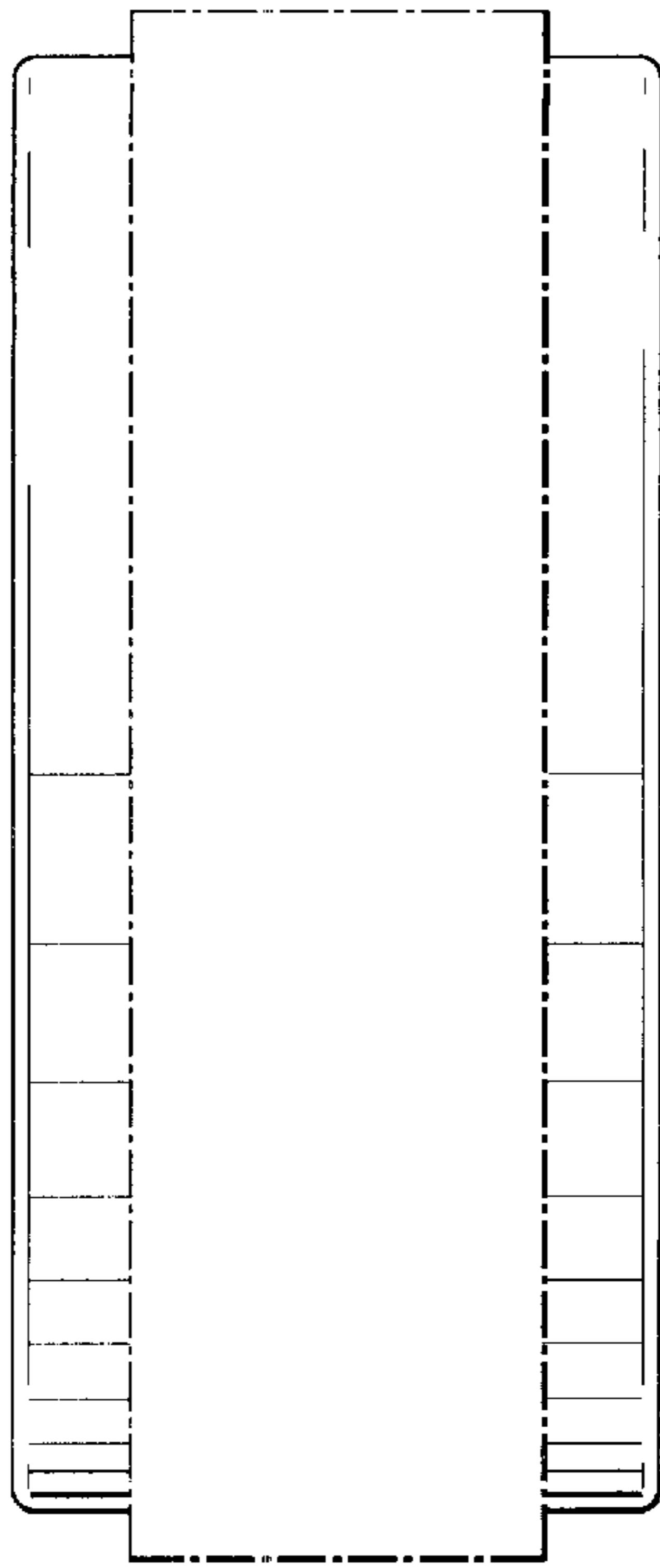
*FIG. 3*



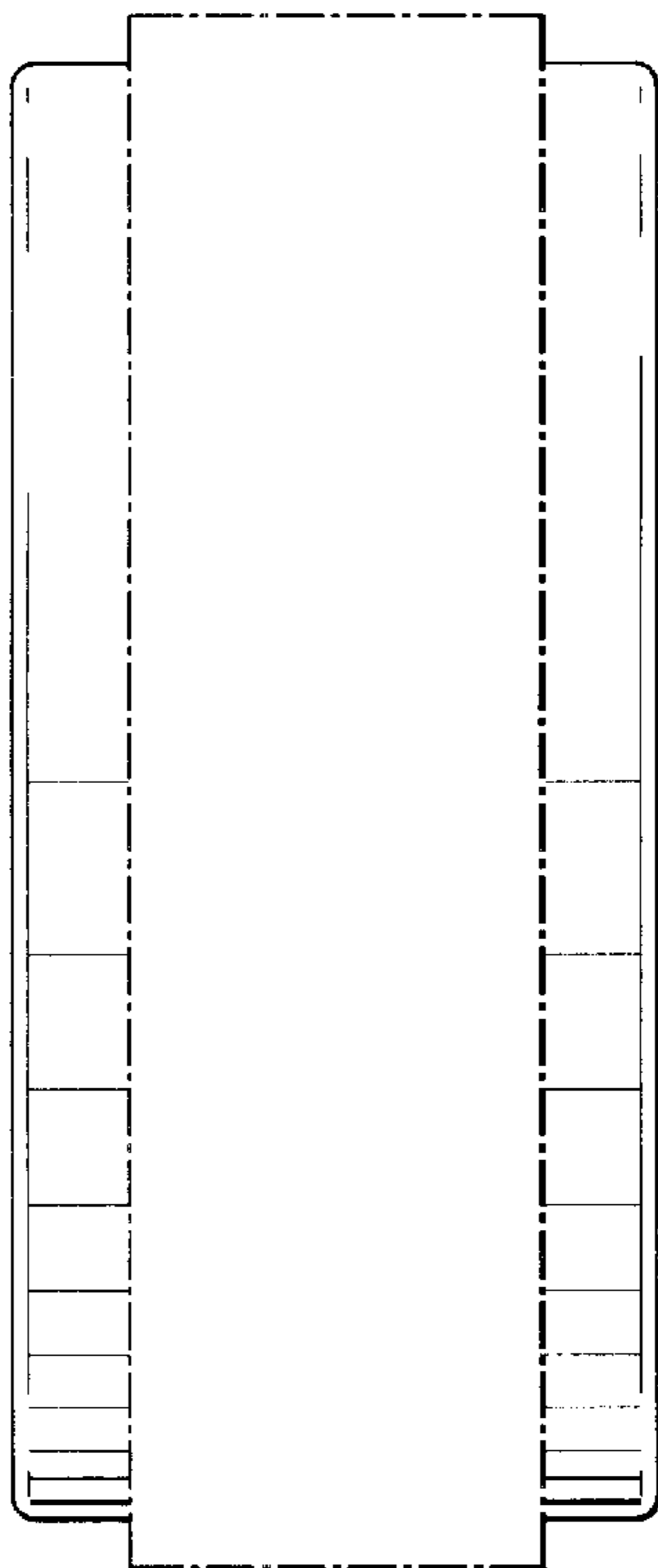
*FIG. 4*



*FIG. 5*



*FIG. 6*



*FIG. 7*