



US00D458220S

(12) **United States Design Patent**
Vetter

(10) **Patent No.:** **US D458,220 S**

(45) **Date of Patent:** **** Jun. 4, 2002**

(54) **BATTERY POWER SUPPLY**

(76) **Inventor:** **Klaus-Dieter Vetter**, 840 Swamp Rd.,
Furlong, PA (US) 18925

(**) **Term:** **14 Years**

(21) **Appl. No.:** **29/145,194**

(22) **Filed:** **Jul. 19, 2001**

(51) **LOC (7) Cl.** **13-02**

(52) **U.S. Cl.** **D13/110**

(58) **Field of Search** D13/110, 123;
307/64, 150, 151; 363/141

(56) **References Cited**

U.S. PATENT DOCUMENTS

D109,066 S	*	1/1938	Totterman	D13/110
D109,065 S	*	3/1938	Kotterman	D13/110
D138,383 S	*	7/1944	Whitesell et al.	D13/110
4,376,250 A	*	3/1983	Baker, Jr. et al.	307/150
D356,292 S	*	3/1995	Kelly et al.	D13/123
5,559,420 A	*	9/1996	Kohchi	307/150 X

5,947,768 A	*	9/1999	Thorick	307/64 X
D416,858 S	*	11/1999	Domanski	D13/114
D425,018 S	*	5/2000	Madura et al.	D13/110
D429,687 S	*	8/2000	Steiner et al.	D13/110

* cited by examiner

Primary Examiner—Joel Sincavage

(74) *Attorney, Agent, or Firm*—Gregory J. Gore

(57) **CLAIM**

The ornamental design for a battery power supply, as shown and described.

DESCRIPTION

FIG. 1 is a top, right, front isometric view showing my new design;

FIG. 2 is a front view of FIG. 1;

FIG. 3 is a right side view of FIG. 1;

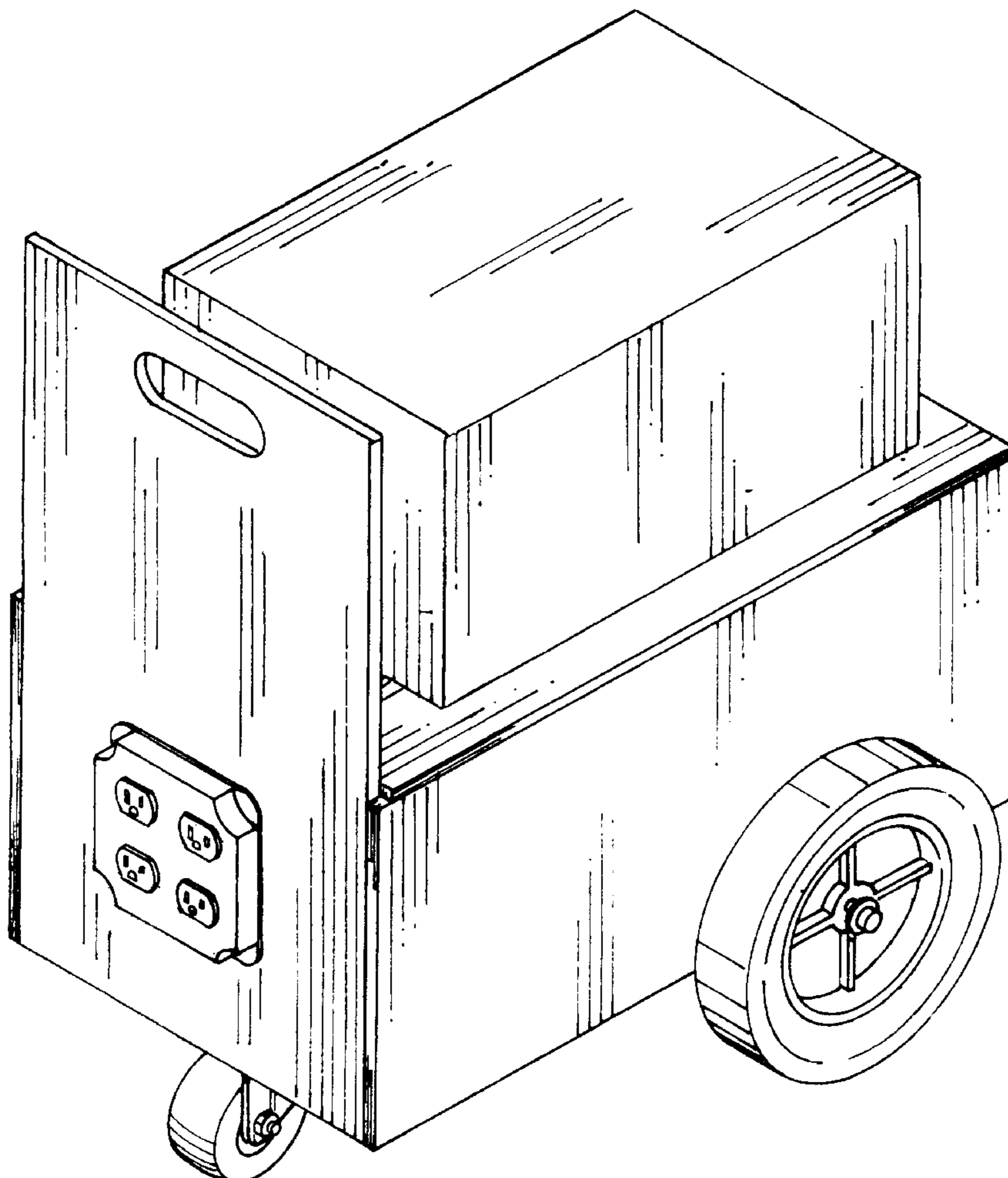
FIG. 4 is a rear view of FIG. 1;

FIG. 5 is a left side view of FIG. 1;

FIG. 6 is a top view of FIG. 1; and,

FIG. 7 is a bottom view of FIG. 1.

1 Claim, 4 Drawing Sheets



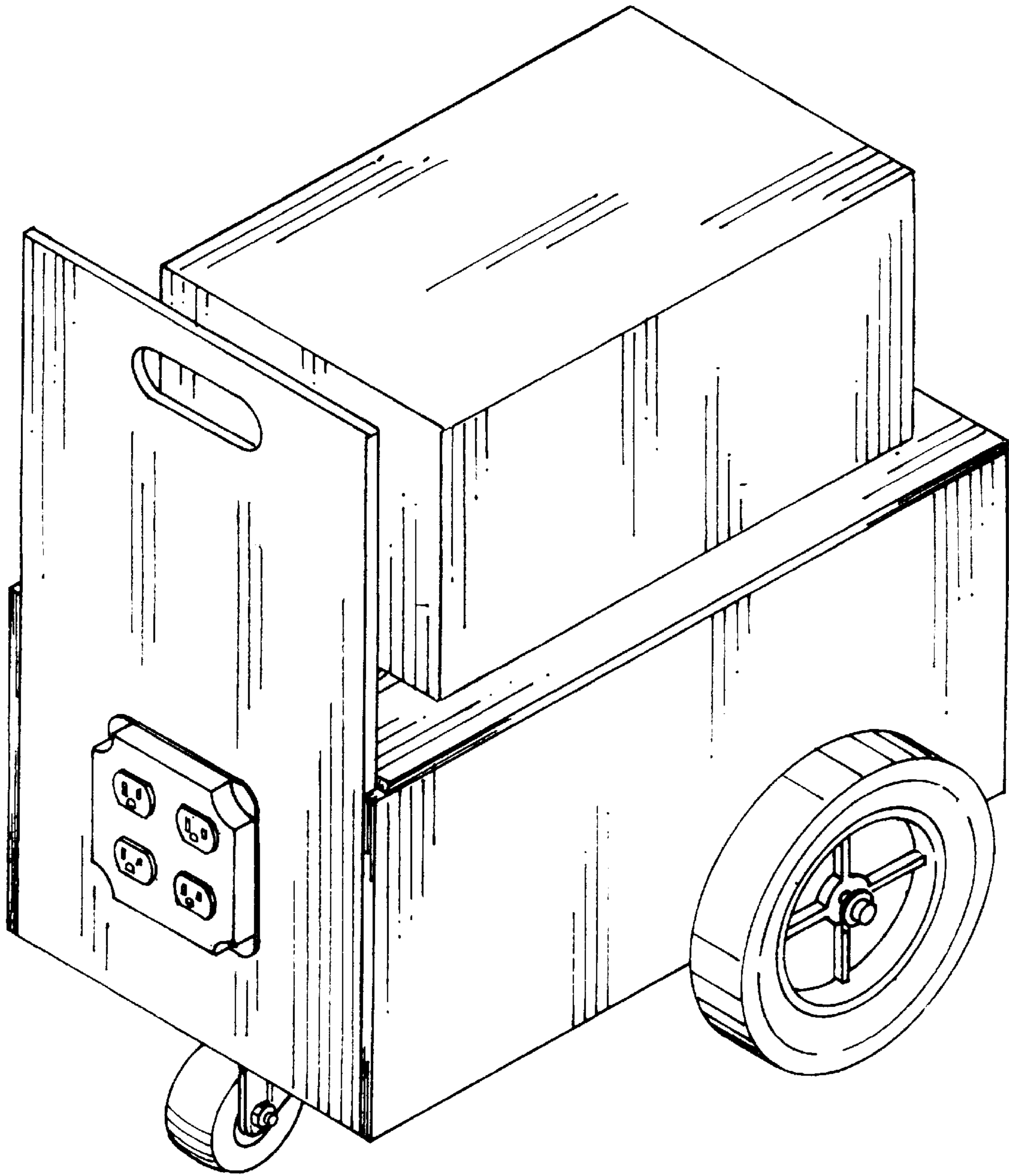


Fig. 1

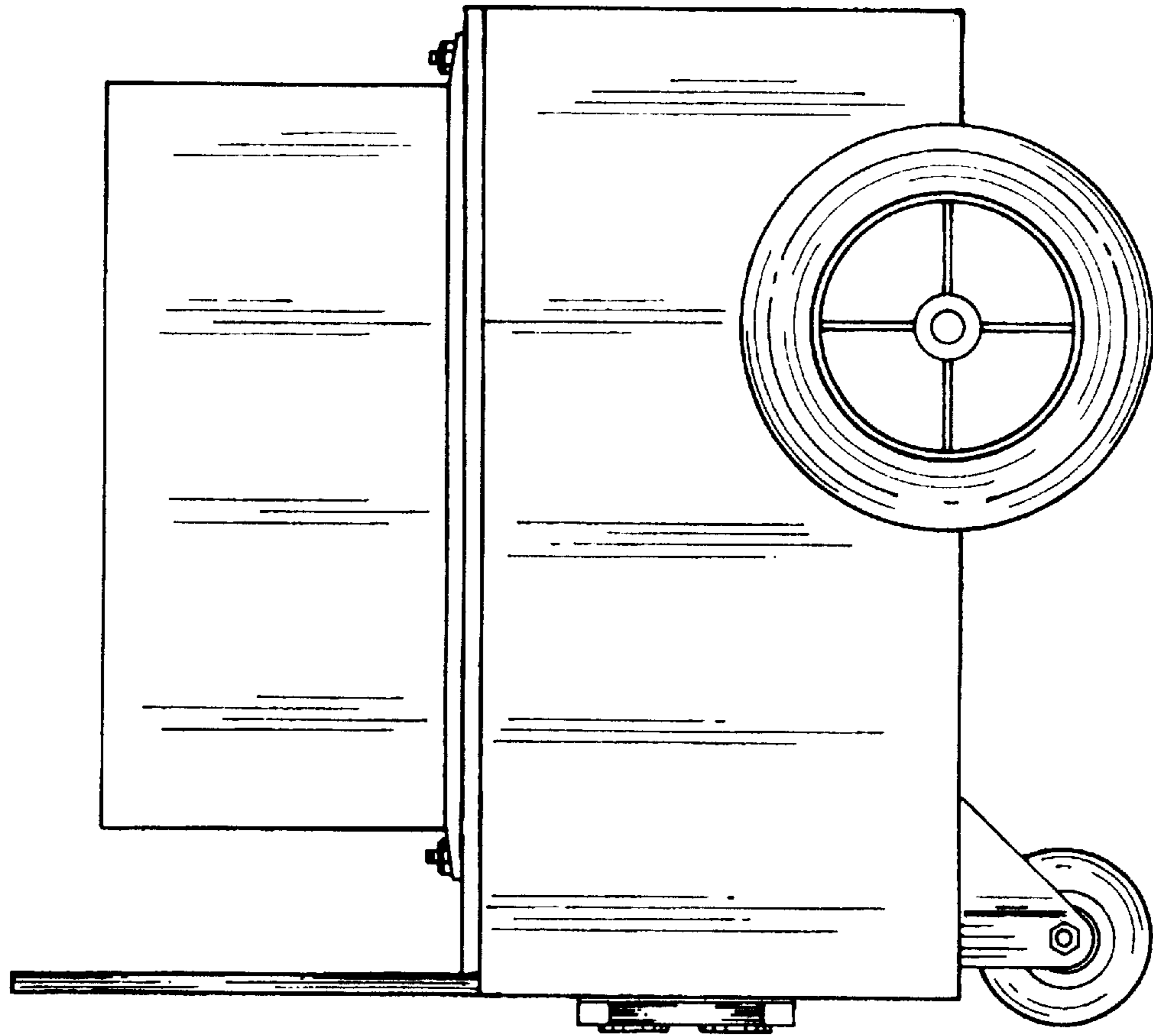


Fig. 2

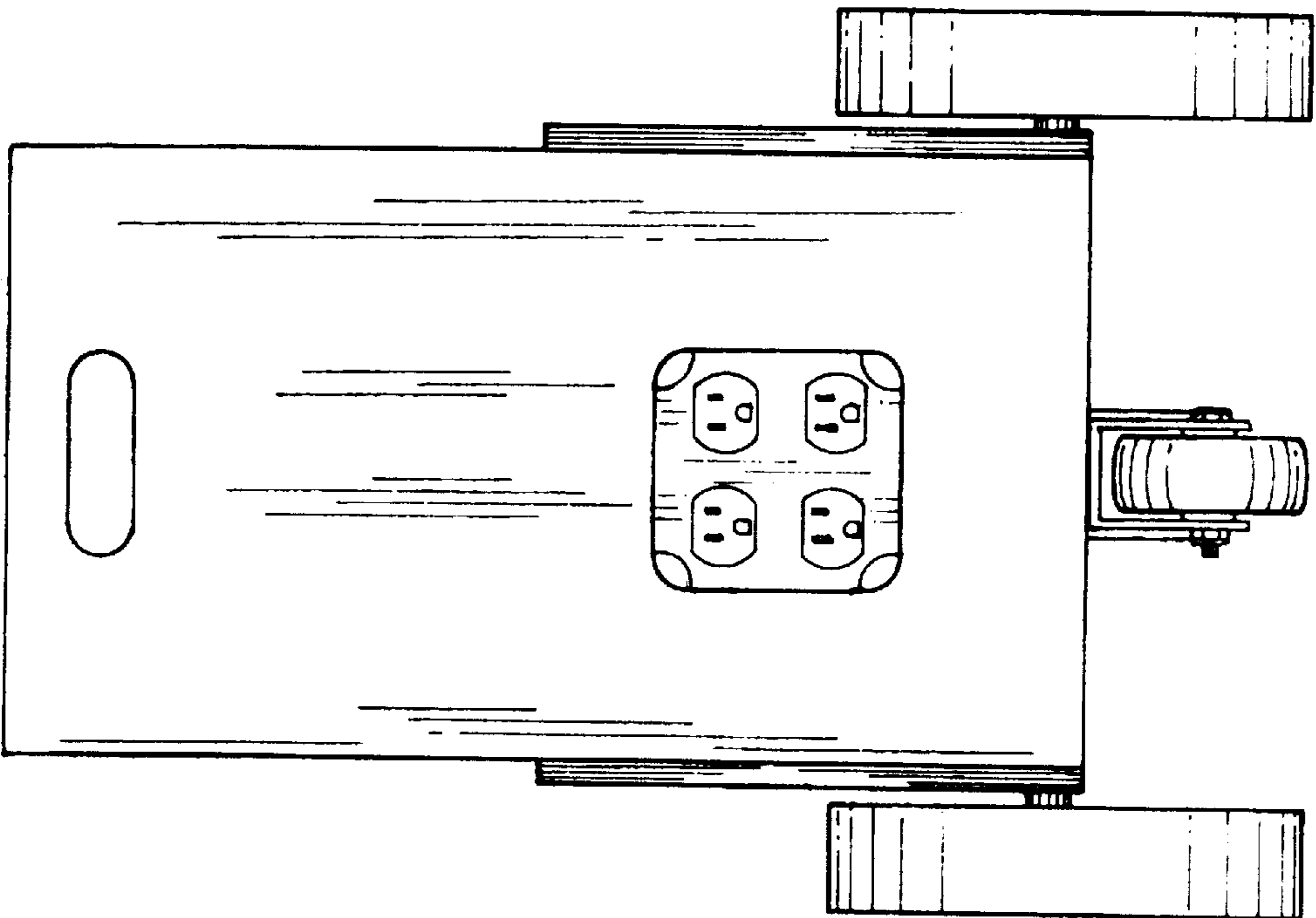


Fig. 3

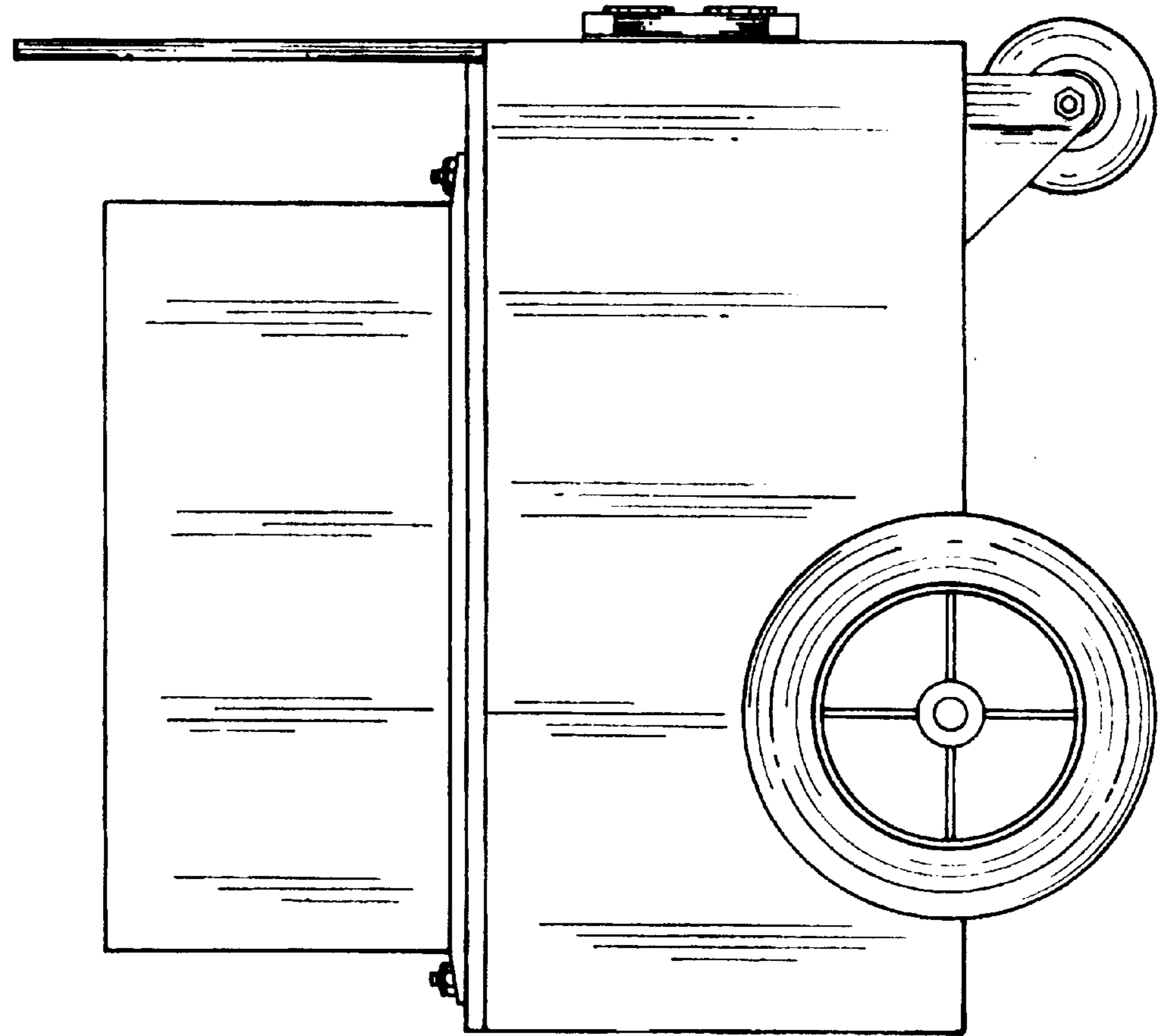


Fig. 5

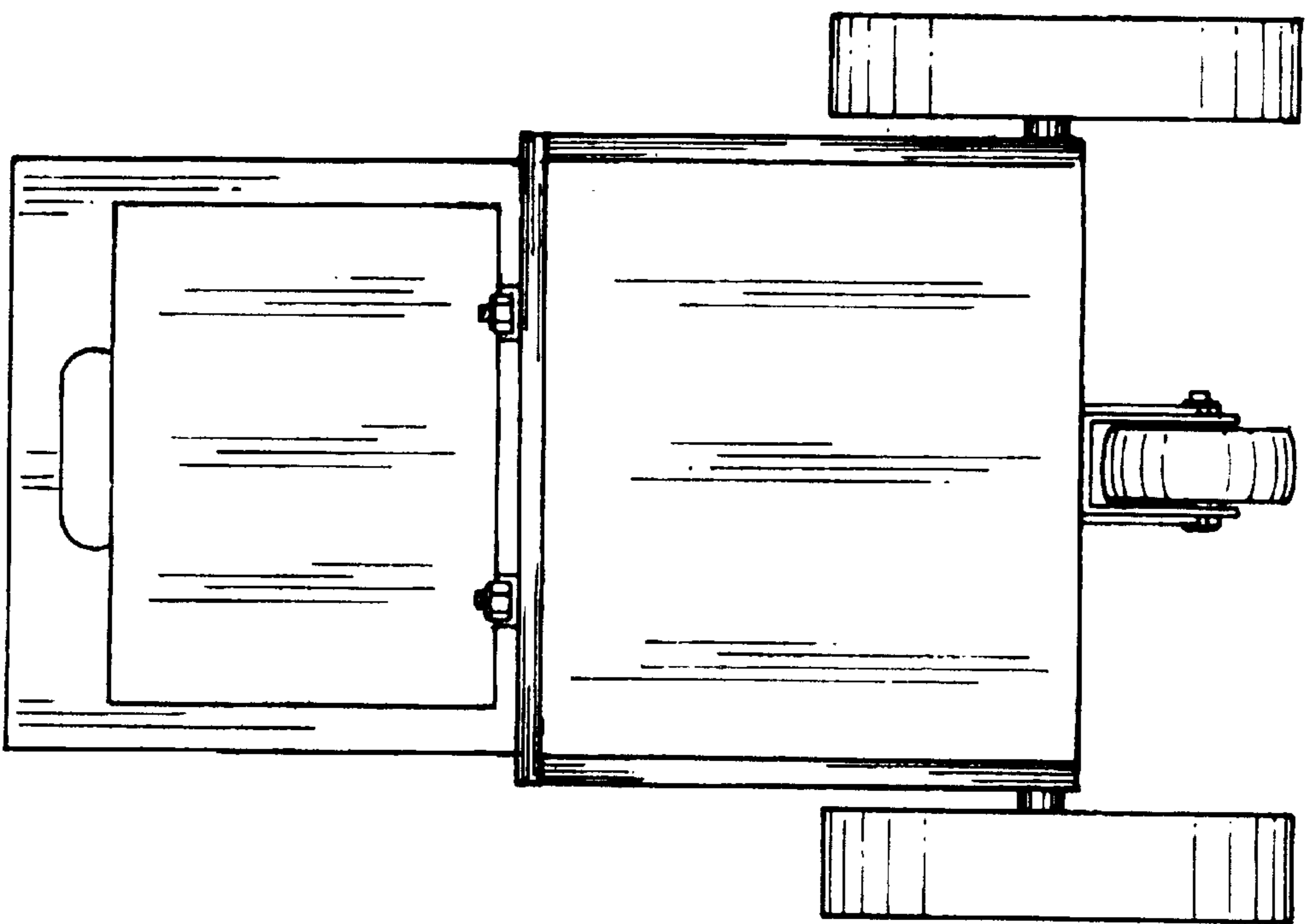


Fig. 4

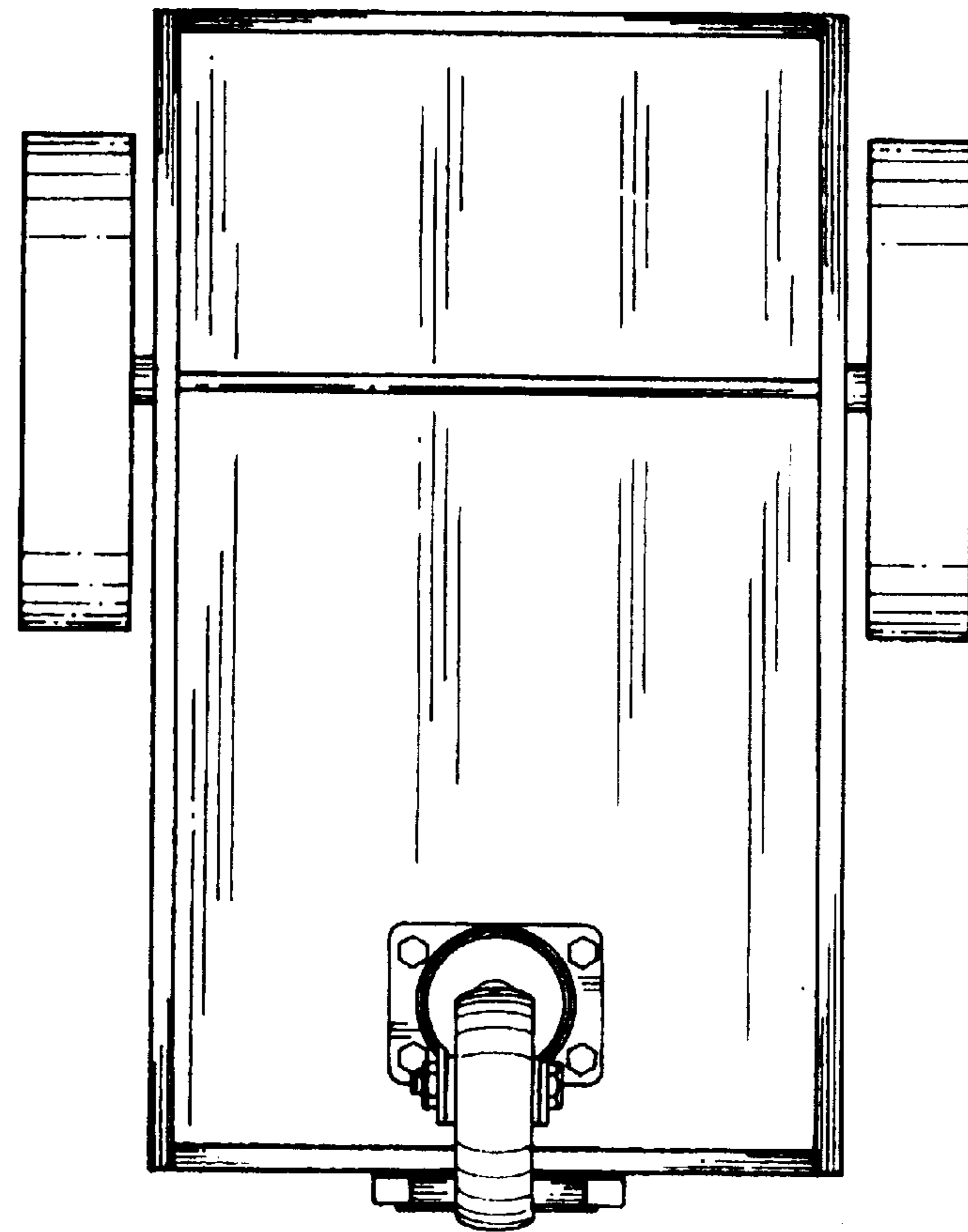


Fig. 7

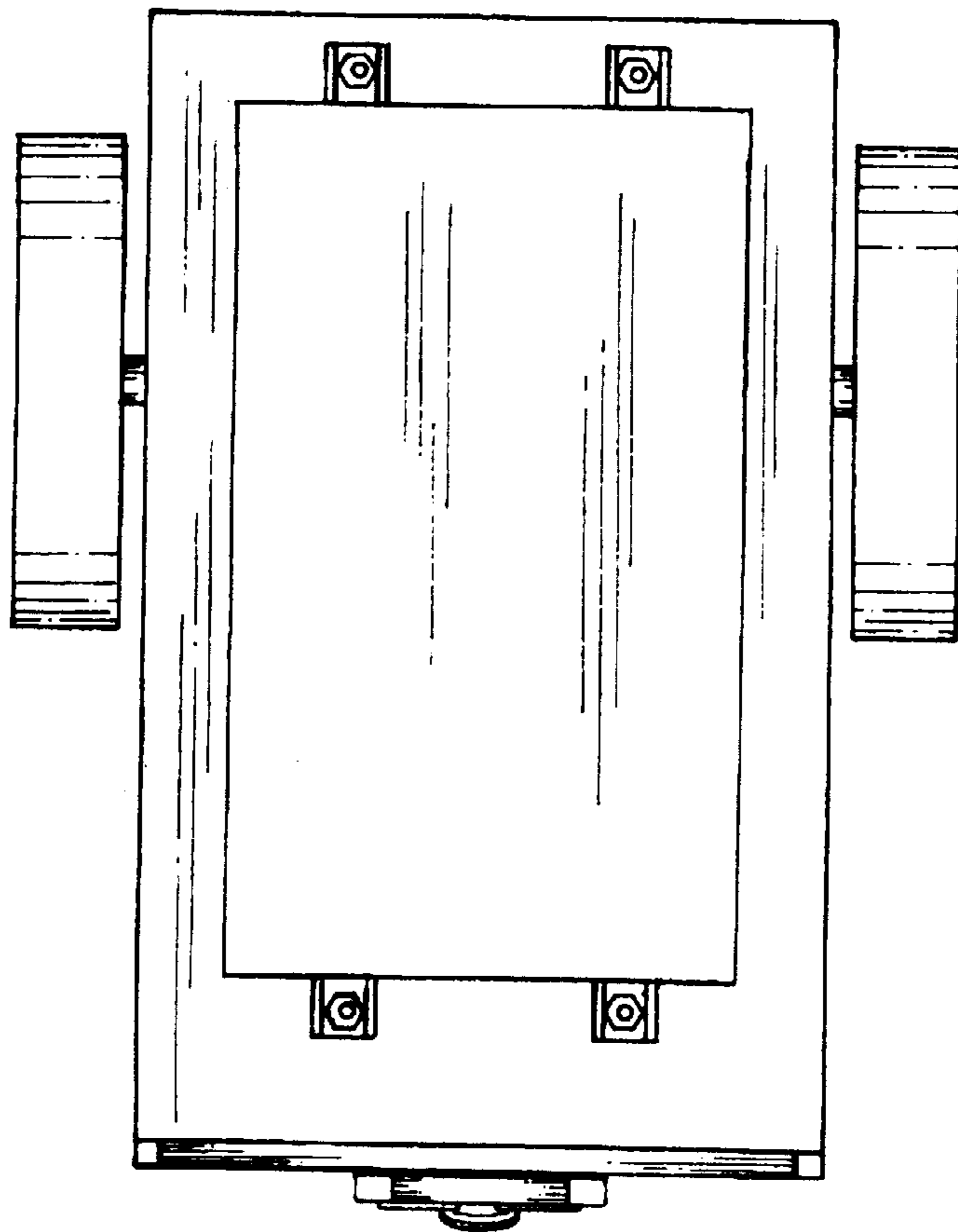


Fig. 6