



US00D458217S

(12) **United States Design Patent**
Hawk

(10) **Patent No.:** **US D458,217 S**

(45) **Date of Patent:** **** Jun. 4, 2002**

(54) **ACCESSORY BATTERY FOR PORTABLE COMPUTER**

Electrofuel PowerPad 160 AC Adapter, Item No. 80412. iGo—Mobile Technology Outfitter Web site, www.igo.com.

(75) Inventor: **Kenneth W. Hawk**, Reno, NV (US)

* cited by examiner

(73) Assignee: **iGO Corporation**, Reno, NV (US)

Primary Examiner—Joel Sincavage

(**) Term: **14 Years**

(74) *Attorney, Agent, or Firm*—Knobbe, Martens, Olson & Bear LLP

(21) Appl. No.: **29/140,464**

(57) **CLAIM**

(22) Filed: **Apr. 18, 2001**

The ornamental design for an accessory battery for portable computer, as shown and described.

(51) **LOC (7) Cl.** **13-02**

DESCRIPTION

(52) **U.S. Cl.** **D13/103**

(58) **Field of Search** D13/103; 429/96–100, 429/159, 163, 176; 361/683

FIG. 1 is a perspective view of the accessory battery for portable computer showing my new design;

FIG. 2 is a top plan view of the accessory battery for portable computer of FIG. 1;

(56) **References Cited**

U.S. PATENT DOCUMENTS

D334,169 S	*	3/1993	Antonczak	D13/103
D342,053 S	*	12/1993	Antonczak	D13/103
D342,478 S	*	12/1993	Brunner et al.	D13/103
D356,992 S	*	4/1995	Dilgard	D13/103
D409,973 S	*	5/1999	Iwamoto et al.	D13/103
D440,201 S	*	4/2001	Huynh et al.	D13/103

FIG. 3 is a left side elevational view of the accessory battery for portable computer of FIG. 1;

FIG. 4 is a right side elevational view of the accessory battery for portable computer of FIG. 1;

FIG. 5 is a front elevational view of the accessory battery for portable computer of FIG. 1;

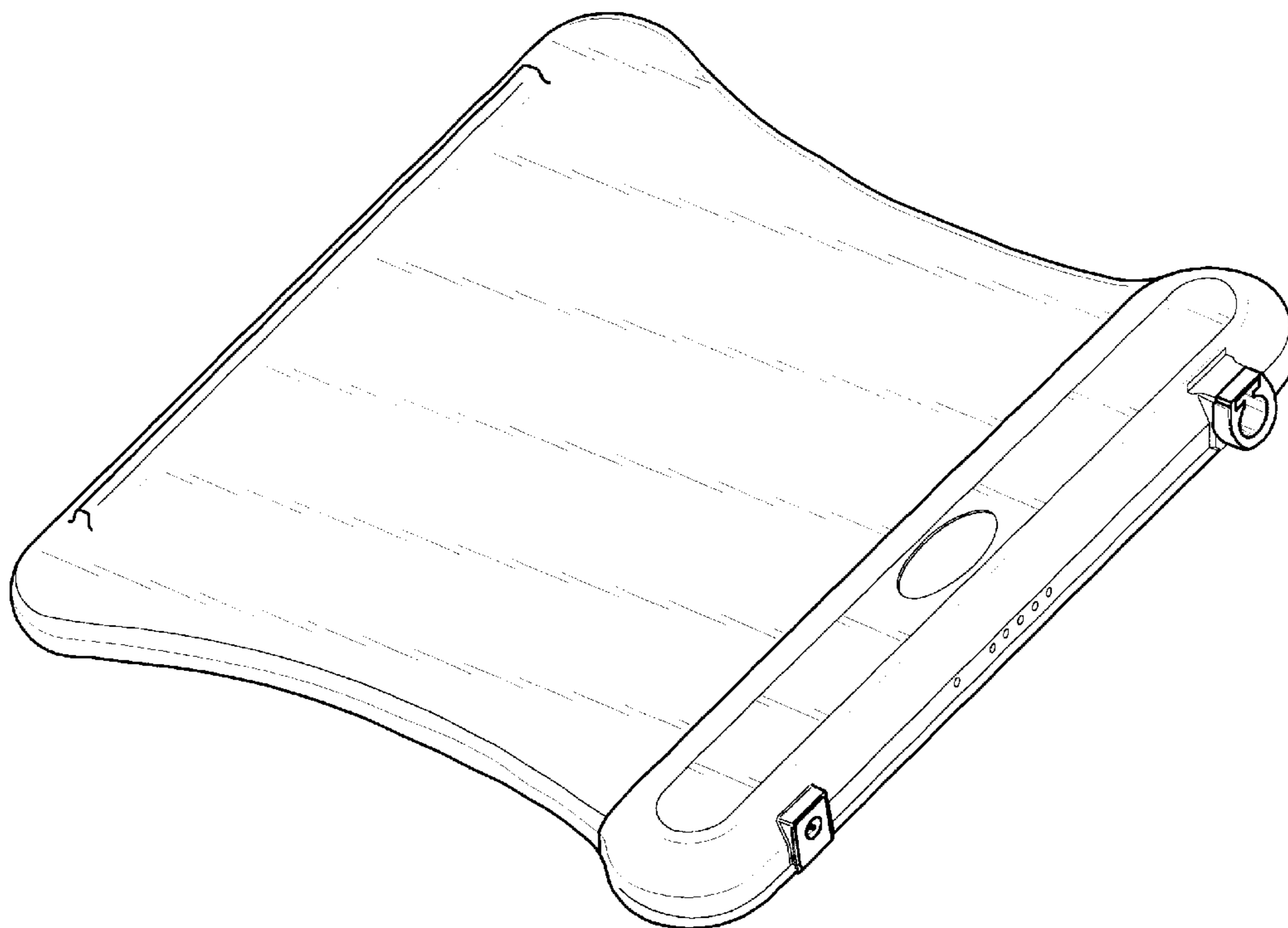
FIG. 6 is a rear elevational view of the accessory battery for portable computer of FIG. 1; and,

FIG. 7 is a bottom plan view of the accessory battery for portable computer of FIG. 1.

OTHER PUBLICATIONS

Road Tools Podium Cool Pad Swivel Pad in Black, Item No. 69298. iGo—Mobile Technology Outfitter Website, www.igo.com.

1 Claim, 3 Drawing Sheets



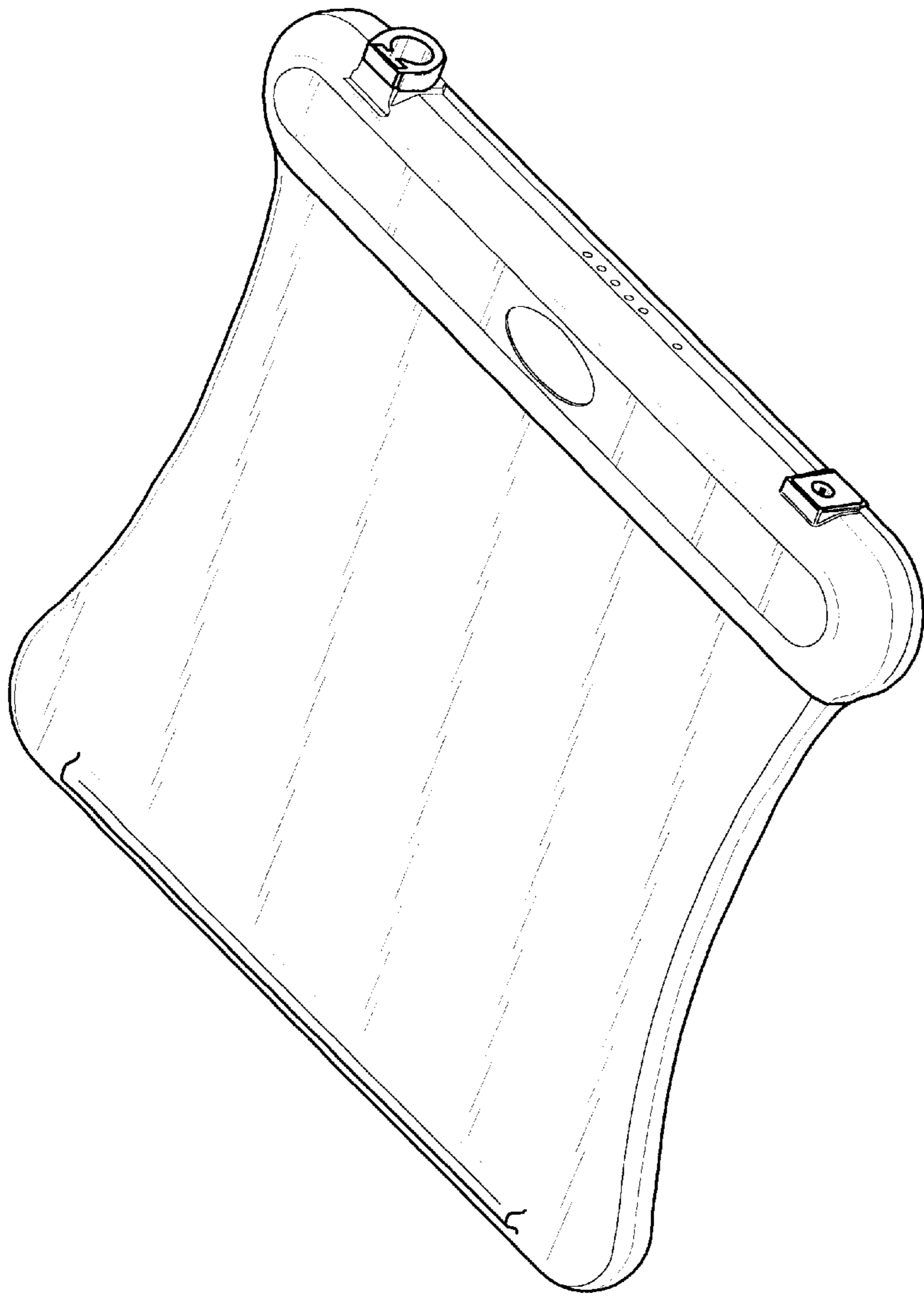


FIG. 1

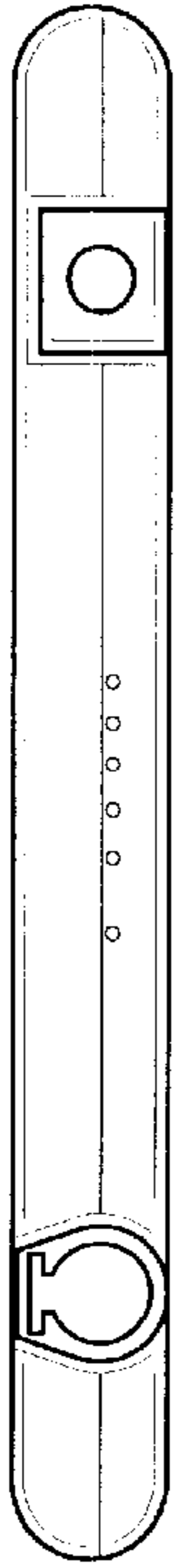


FIG. 6

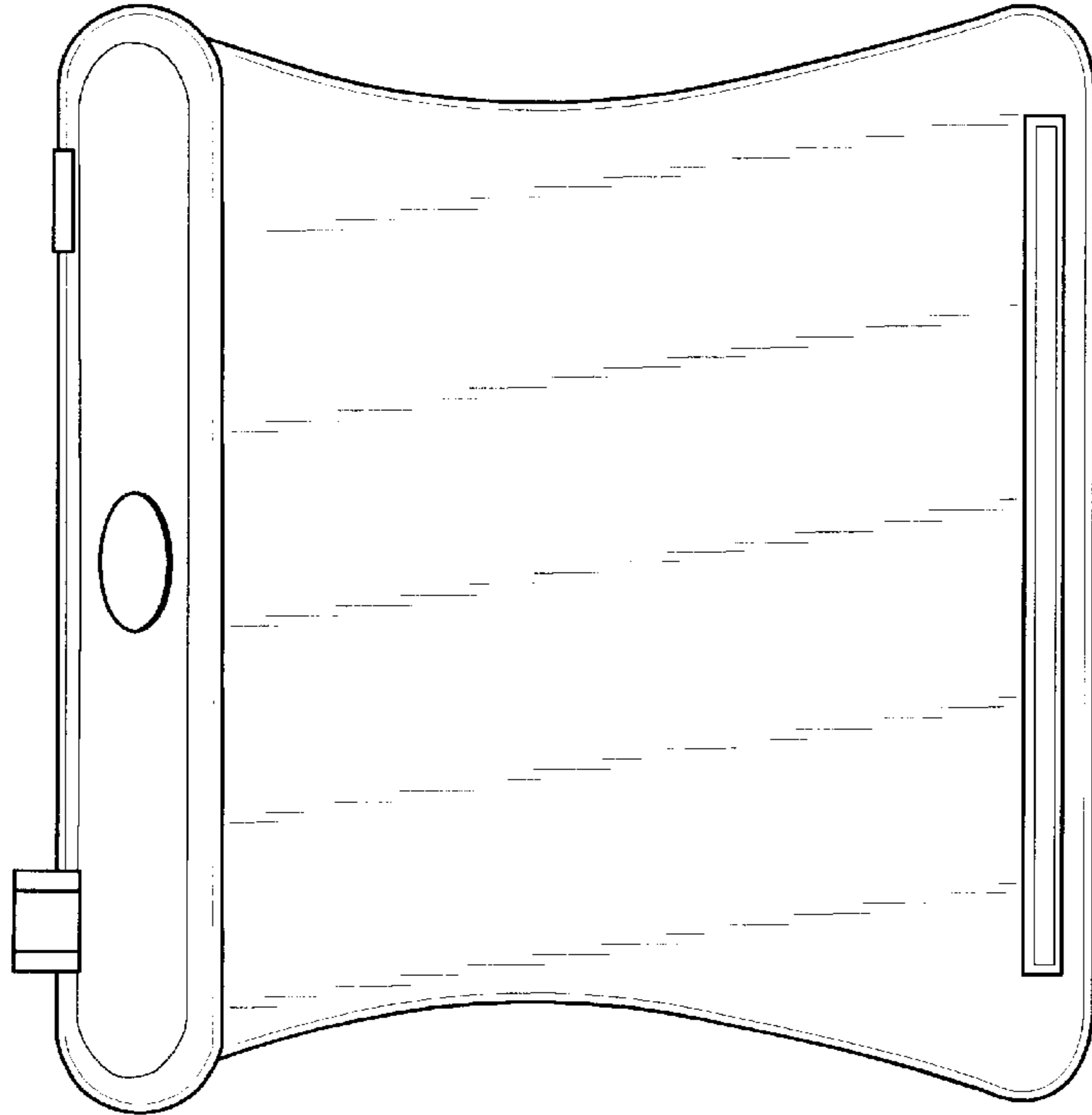


FIG. 2

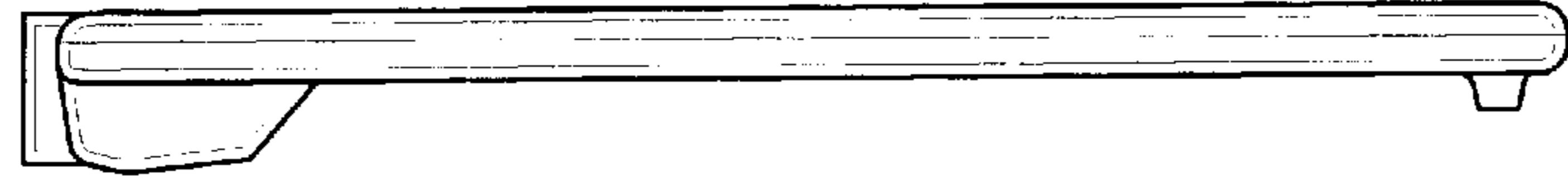


FIG. 4

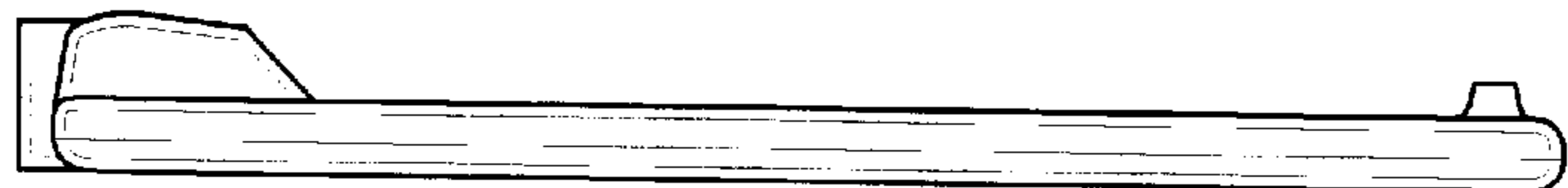


FIG. 3

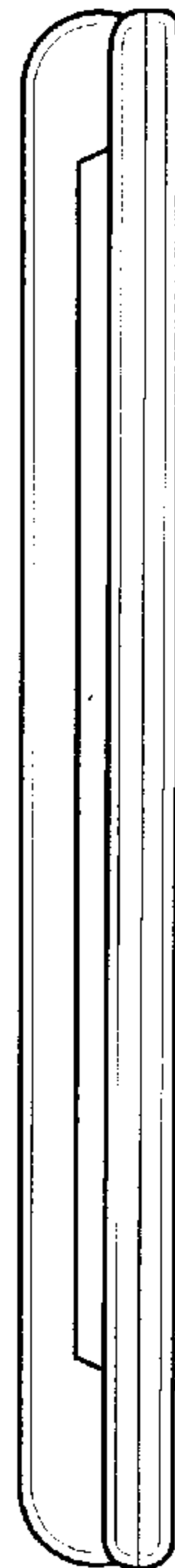


FIG. 5

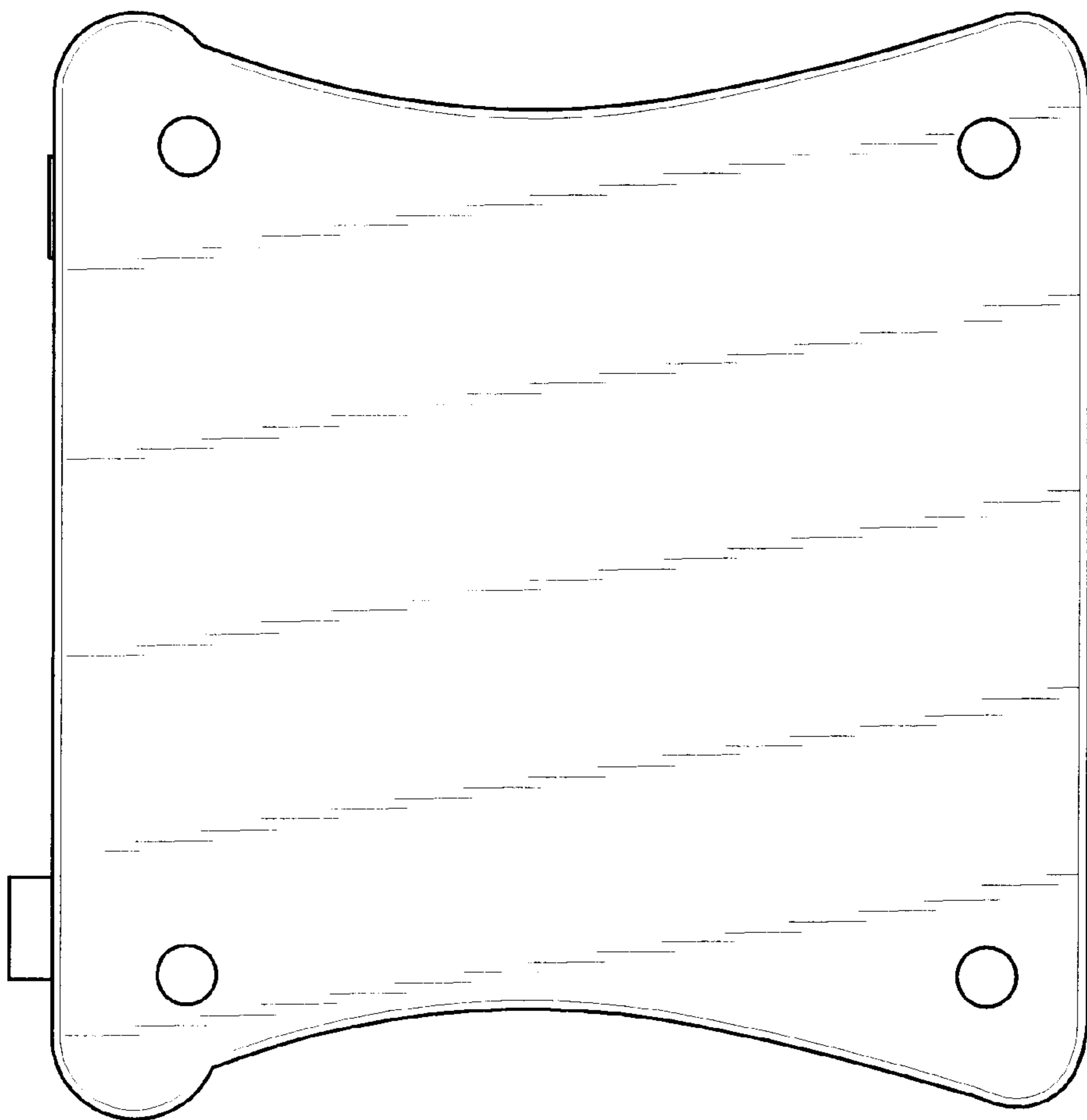


FIG. 7