



US00D458211S

(12) **United States Design Patent** (10) **Patent No.:** **US D458,211 S**
Ito (45) **Date of Patent:** **** Jun. 4, 2002**

(54) **TIRE FOR MOTORCYCLE**

OTHER PUBLICATIONS

(75) Inventor: **Mayumi Ito**, Kobe (JP)
(73) Assignee: **Sumitomo Rubber Industries, Ltd.**,
Kobe (JP)
(**) Term: **14 Years**

Maxxis V1 C-6002 Street Tire, 2000 Tread Design Guide,
Jan. 2000, p. 205. 3/3.*

* cited by examiner

(21) Appl. No.: **29/140,047**
(22) Filed: **Apr. 12, 2001**

Primary Examiner—Robert M. Spear
(74) *Attorney, Agent, or Firm*—Birch, Stewart, Kolasch &
Birch, LLP

(30) **Foreign Application Priority Data**

(57) **CLAIM**

The ornamental design for a tire for motorcycle, as shown.

Oct. 12, 2000 (JP) 2000-028792

DESCRIPTION

(51) **LOC (7) Cl.** **12-15**
(52) **U.S. Cl.** **D12/535**
(58) **Field of Search** D12/534, 535,
D12/536, 537, 538, 552, 569, 570, 571,
572, 573, 587; 152/209.1, 209.11, 209.12,
209.13

FIG. 1 is a front view of a tire for motorcycle showing my
new design;
FIG. 2 is a rear view thereof;
FIG. 3 is a top plan view thereof;
FIG. 4 is a left side view thereof;
FIG. 5 is a right side view thereof;
FIG. 6 is a perspective view thereof;
FIG. 7 is an enlarged cross-sectional view taken along line
7—7 of FIG. 1; and,
FIG. 8 is an enlarged cross-sectional view taken along line
8—8 of FIG. 1.

(56) **References Cited**

U.S. PATENT DOCUMENTS

D291,675 S * 9/1987 Mader D12/535
D381,298 S * 7/1997 Haas D12/534
D418,093 S * 12/1999 Tsai-Jen D12/535

FOREIGN PATENT DOCUMENTS

JP 61-41222 10/1986

1 Claim, 3 Drawing Sheets

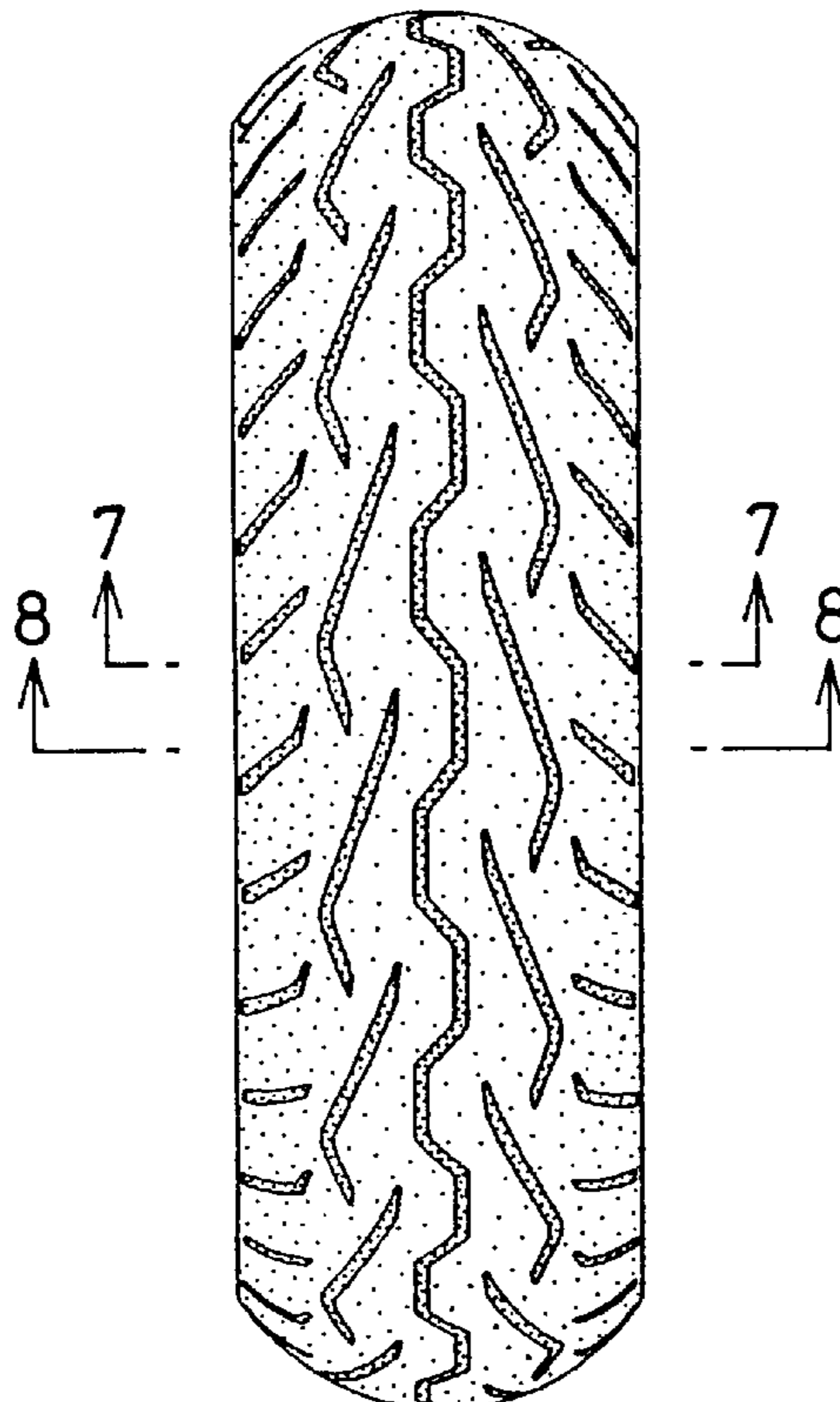


FIG. 1

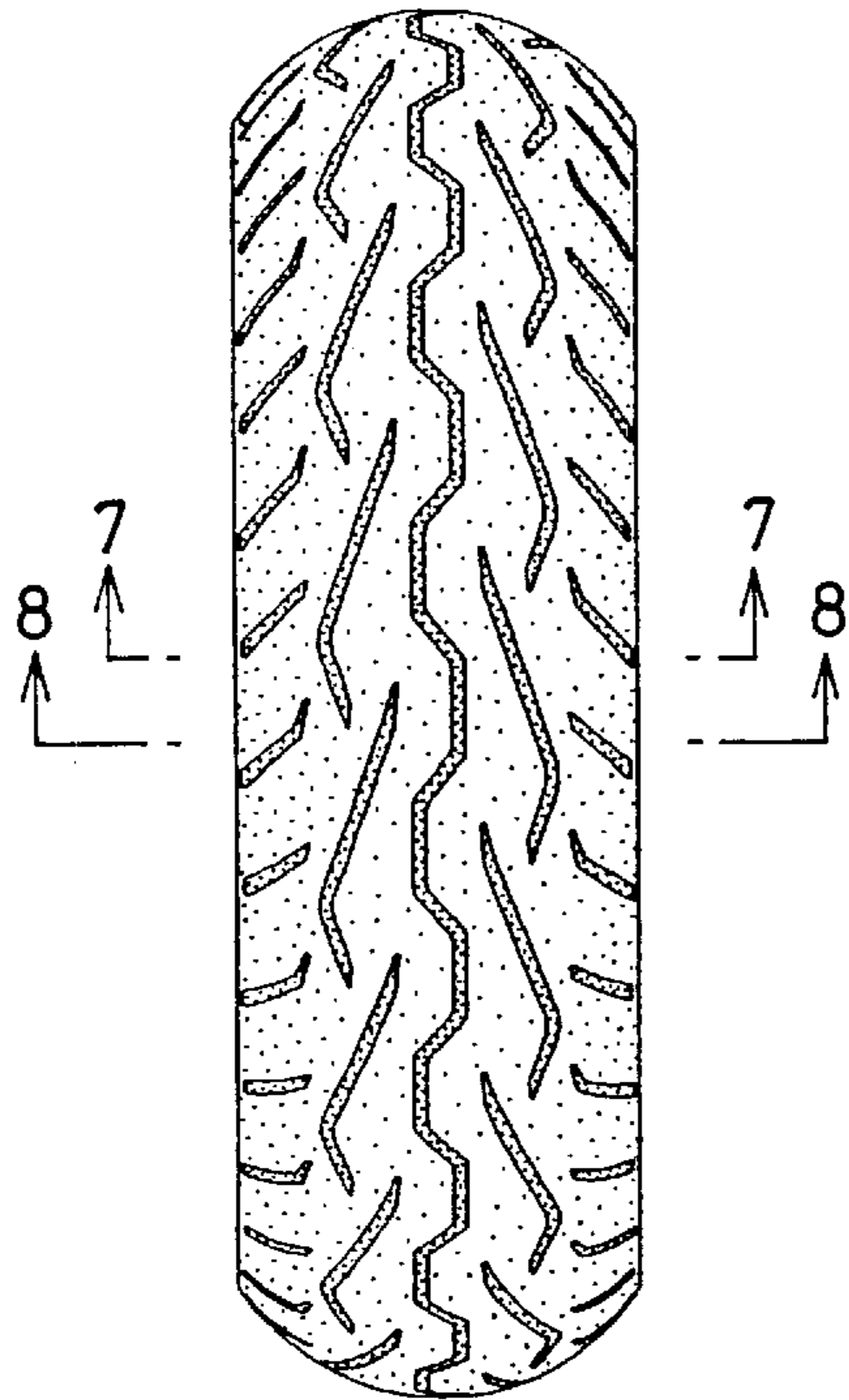


FIG. 2



FIG. 3

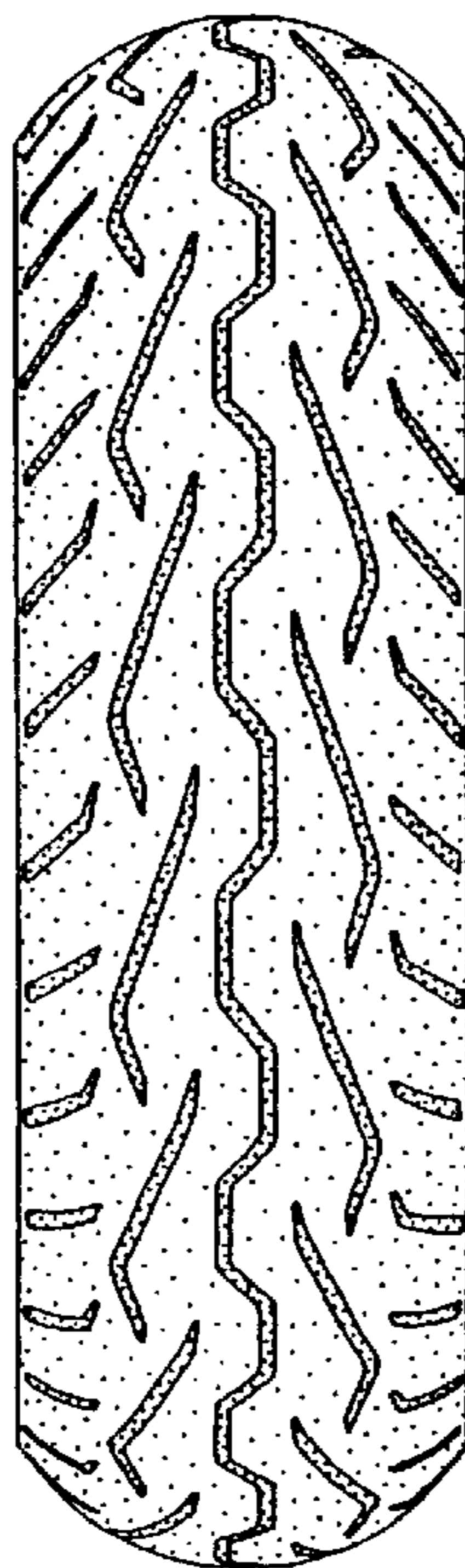


FIG. 4

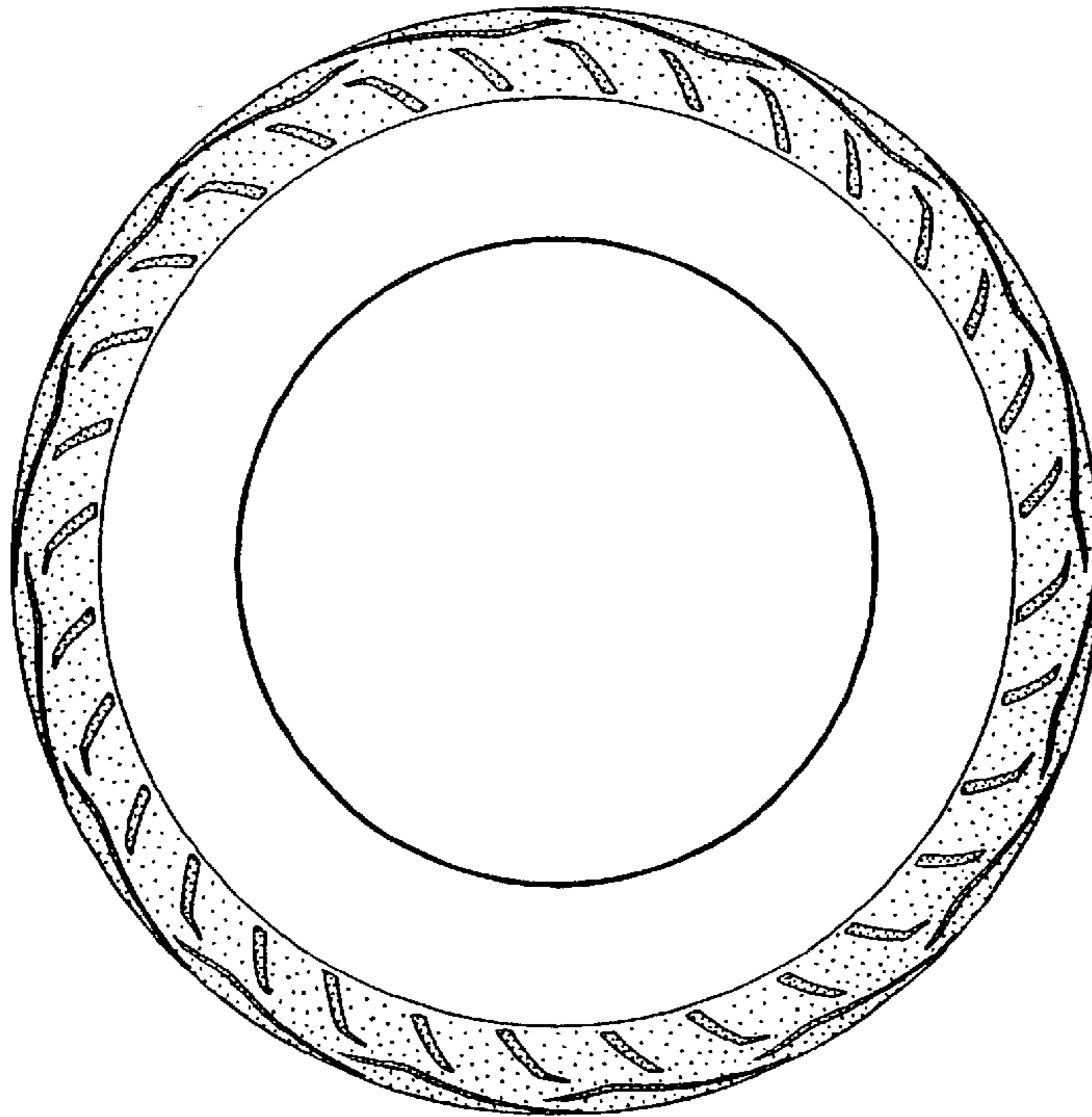


FIG. 5

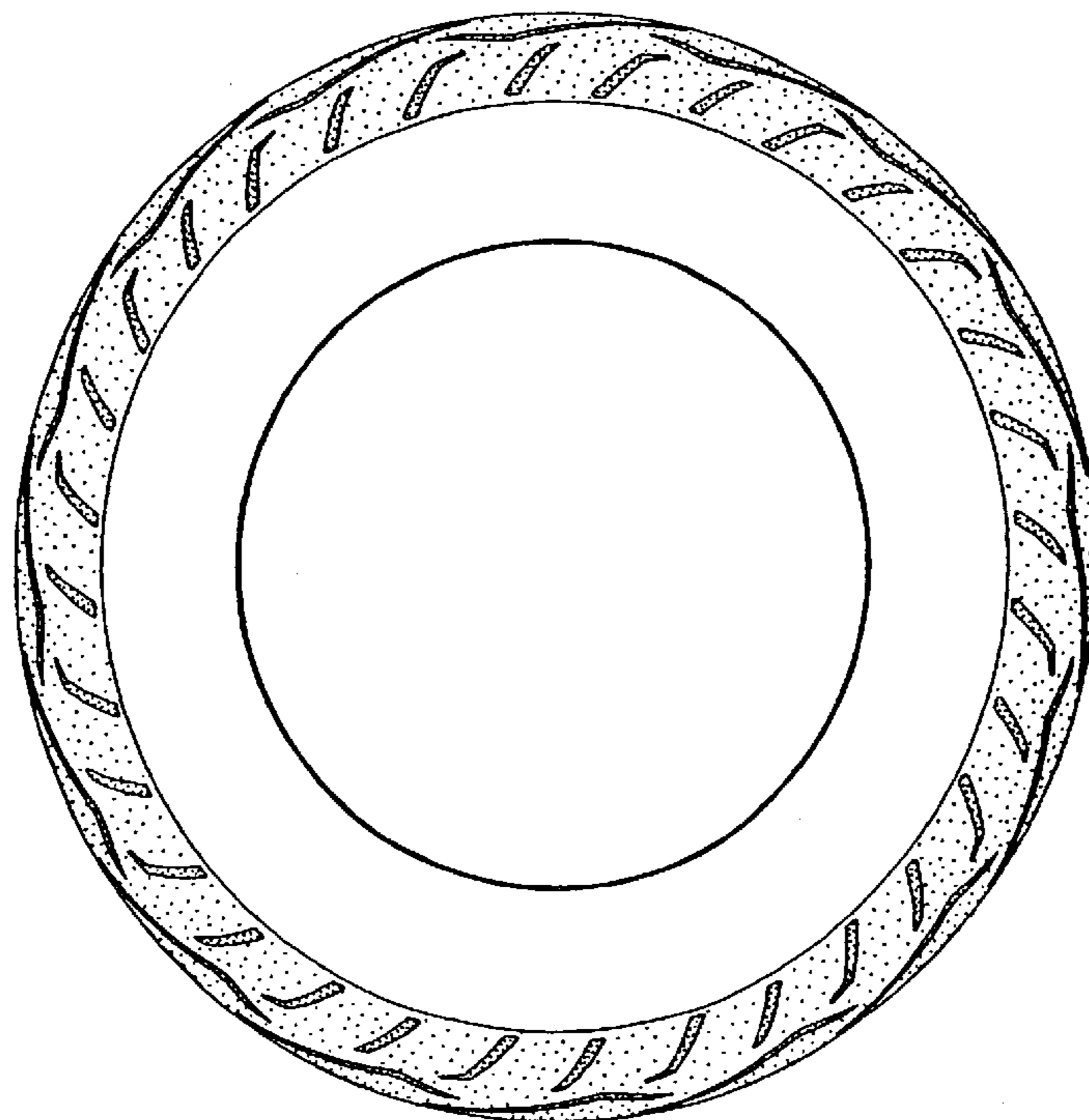


FIG. 6

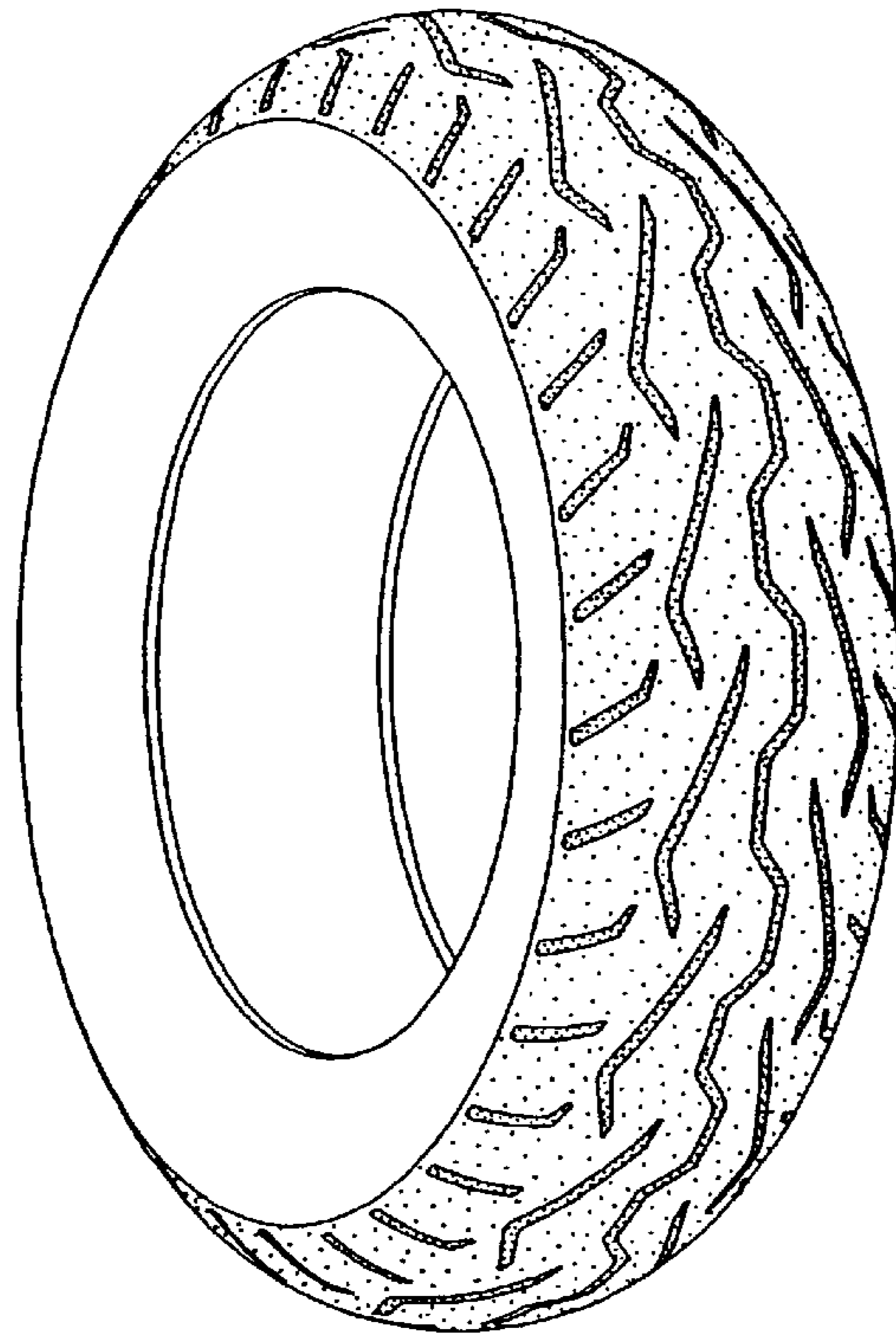


FIG. 7

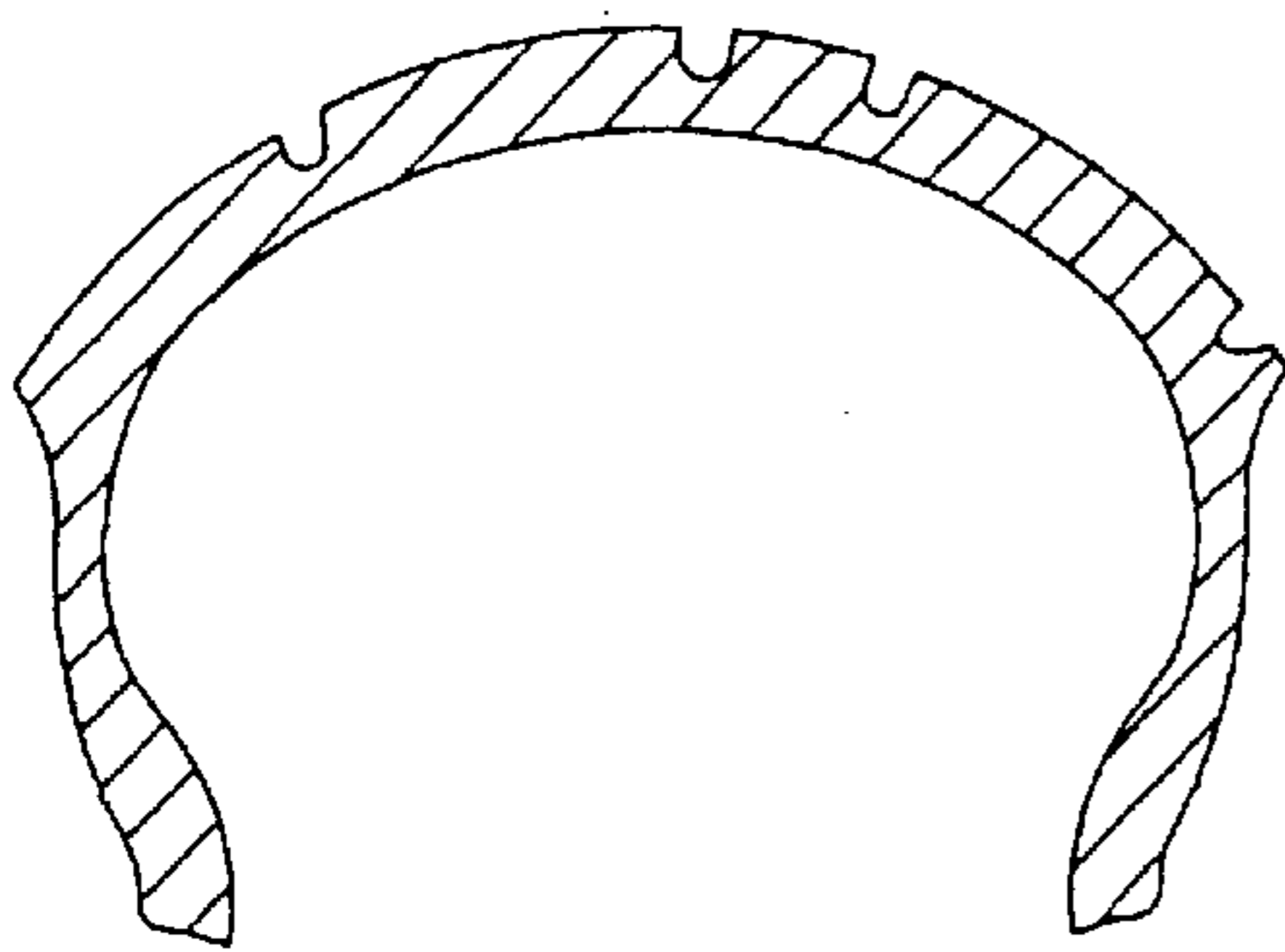


FIG. 8

