



US00D458210S

(12) **United States Design Patent**
Kanczuzewski et al.

(10) **Patent No.:** **US D458,210 S**
(45) **Date of Patent:** **** Jun. 4, 2002**

- (54) **CARGO RESTRAINT DEVICE**
- (75) Inventors: **Thomas E. Kanczuzewski**, South Bend; **Gary Zachrich**, Mishawaka, both of IN (US); **John Townsend**, Otsego, MI (US)
- (73) Assignee: **Logistick, Inc.**, South Bend, IN (US)
- (**) Term: **14 Years**
- (21) Appl. No.: **29/149,218**
- (22) Filed: **Oct. 3, 2001**

Related U.S. Application Data

- (63) Continuation of application No. 29/141,186, filed on May 1, 2001.
- (51) **LOC (7) Cl.** **12-16**
- (52) **U.S. Cl.** **D12/426**
- (58) **Field of Search** D12/400, 414-415, D12/423-426, 106; D9/337-339, 341-348, 432, 456; D3/304-305, 313; 220/530-531, 536, 542; 296/37.1-37.6, 39.1-39.2; 224/402, 405, 539-543, 925, 549, 311

(56) **References Cited**

U.S. PATENT DOCUMENTS

2,468,101 A	4/1949	Nampa	105/369
3,836,174 A	9/1974	Holman, Jr.	280/179 R
4,026,508 A	5/1977	Ziegler	248/220.3
4,616,757 A	10/1986	Hobson	211/189
4,718,584 A	* 1/1988	Schoeny	224/311 X
4,932,817 A	6/1990	Mattare	410/152
D312,604 S	* 12/1990	Barnes et al.	D12/426
D324,303 S	* 3/1992	Miller	D12/426
5,161,700 A	* 11/1992	Stannis et al.	224/311 X
D332,242 S	* 1/1993	Graehling	D12/426

5,219,251 A	6/1993	Kanczuzewski	410/127
D339,682 S	* 9/1993	Phleps	D12/426
D347,419 S	* 5/1994	Jackson	D12/425
5,326,204 A	7/1994	Carlson et al.	410/143
5,370,482 A	12/1994	Long	410/153
5,392,972 A	* 2/1995	Caruso et al.	224/311 X
D358,125 S	* 5/1995	Jackson	D12/425
5,494,389 A	2/1996	Kanczuzewski	410/144
5,526,972 A	* 6/1996	Frazier et al.	224/539
D372,016 S	* 7/1996	Wolford	D12/423
D373,754 S	* 9/1996	Pinterpe	D12/424
D376,578 S	* 12/1996	Redford	D12/424
D392,246 S	* 3/1998	Anderson	D12/414 X
D397,322 S	* 8/1998	Tobin	D12/414
D412,151 S	* 7/1999	Ferrigan	D12/423
D426,512 S	* 6/2000	Ciuba	D12/425
6,086,299 A	7/2000	Kanczuzewski	410/152
D434,369 S	* 11/2000	Matthies	D12/426
D450,291 S	* 11/2001	Wang	D12/426

* cited by examiner

Primary Examiner—Stacia Cadmus

(74) *Attorney, Agent, or Firm*—Barnes & Thornburg

(57) **CLAIM**

The ornamental design for a cargo restraint device, as shown.

DESCRIPTION

FIG. 1 is a perspective view of a cargo restraint device of the present invention;
 FIG. 2 is a front elevational view of the present invention;
 FIG. 3 is a right side elevational view of the present invention;
 FIG. 4 is a rear elevational view of the present invention;
 FIG. 5 is a top view of the present invention; and,
 FIG. 6 is a bottom view of the present invention.

1 Claim, 2 Drawing Sheets

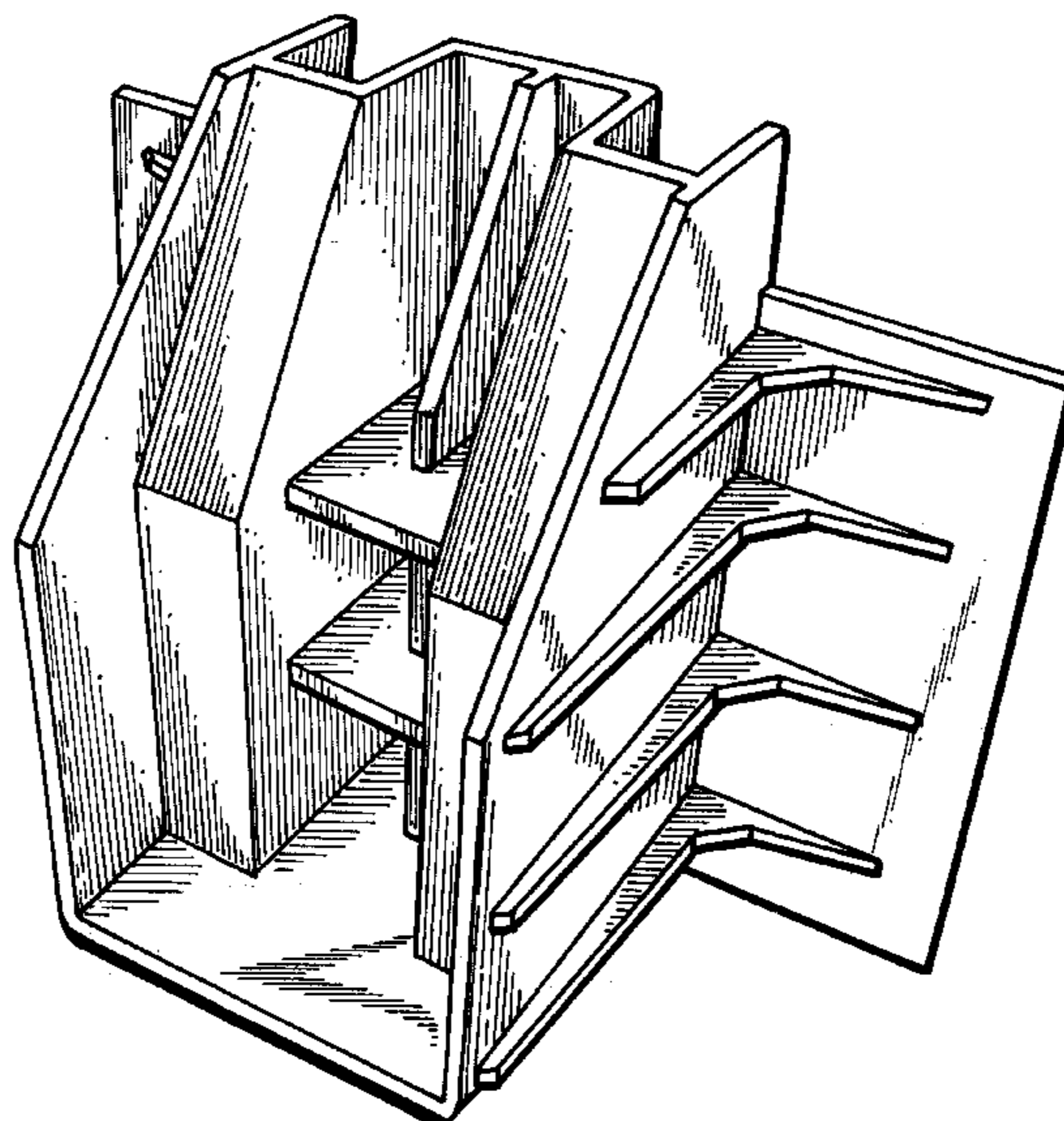


FIGURE 1

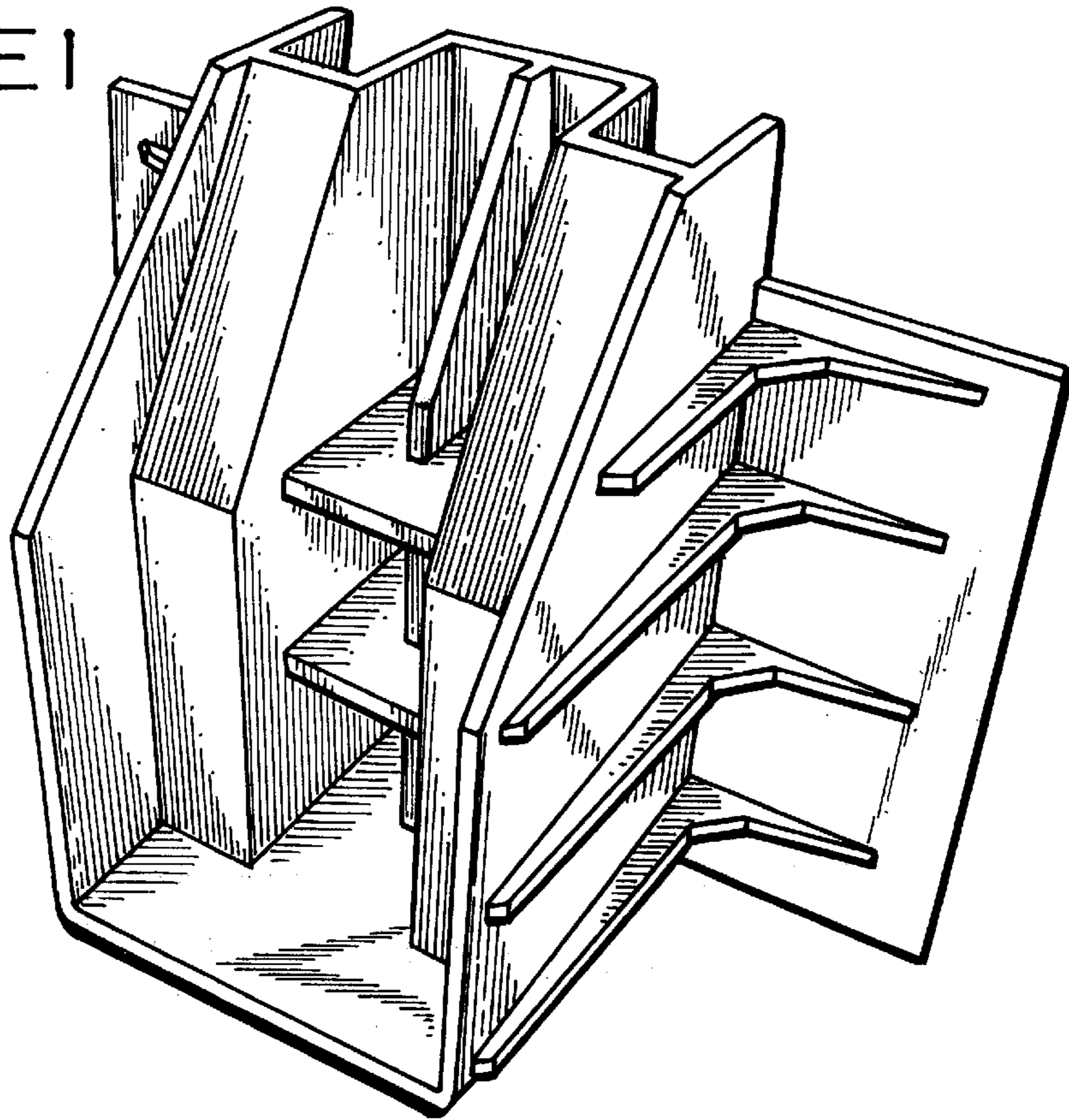


FIGURE 2

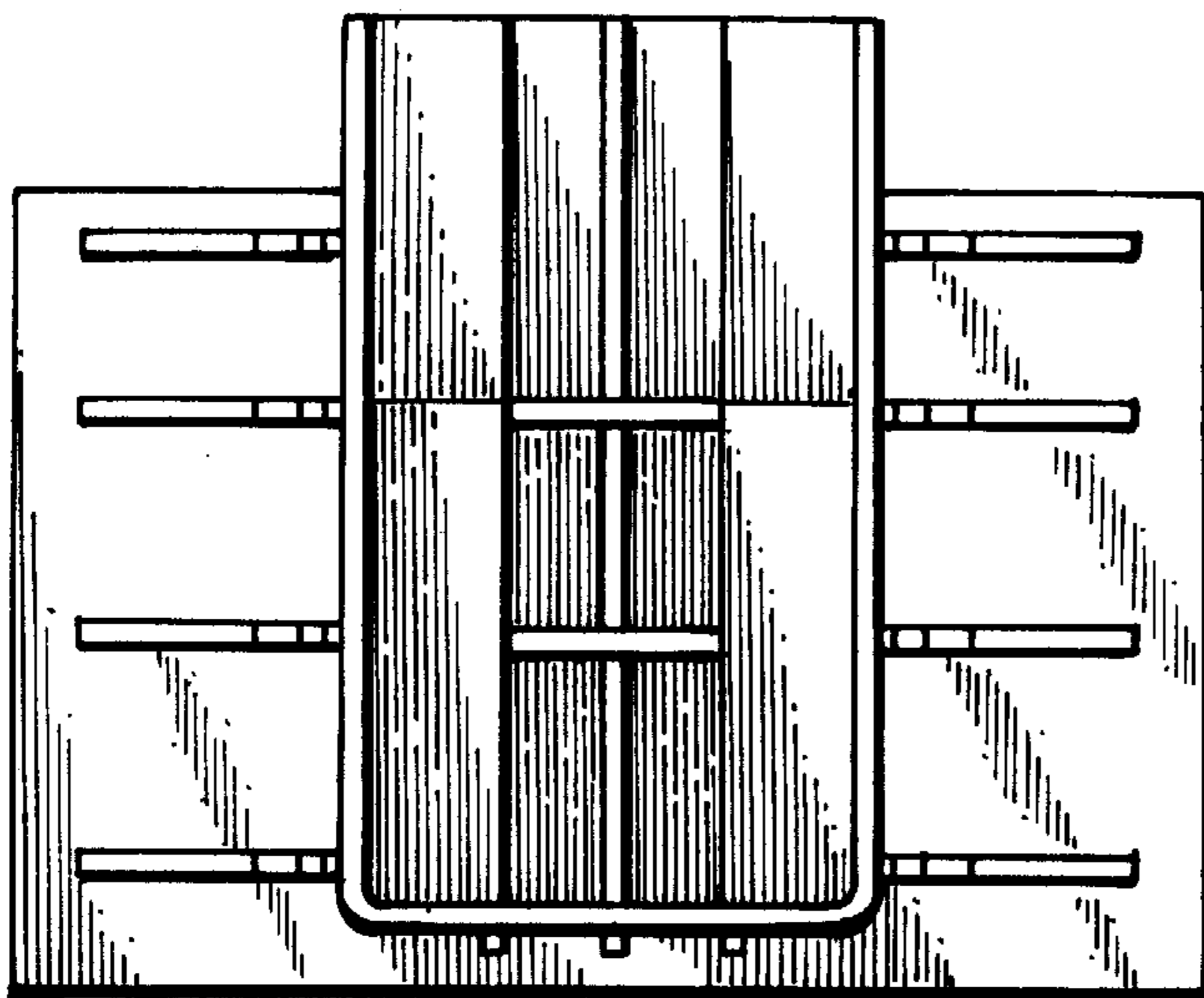


FIGURE 3

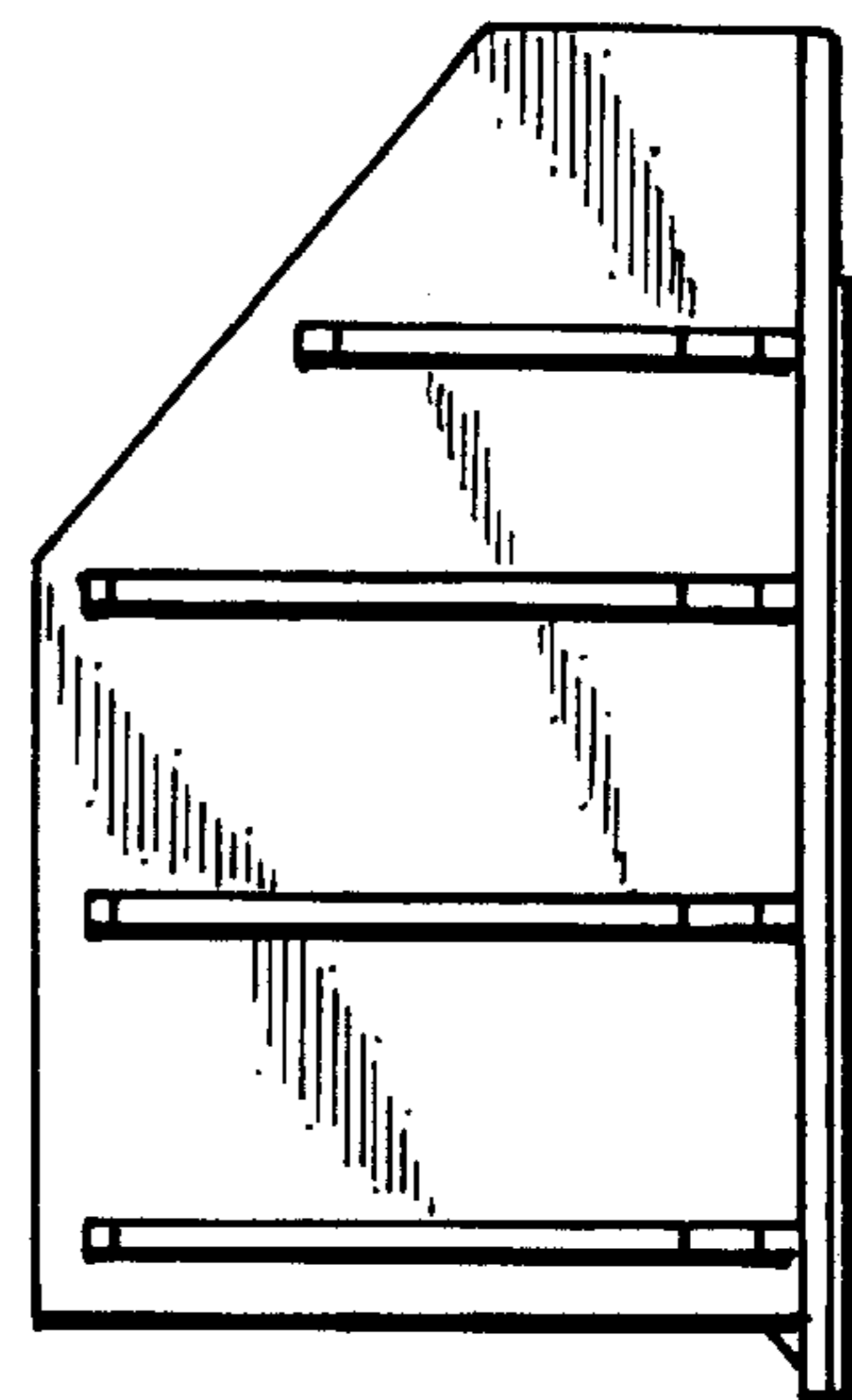


FIGURE 4

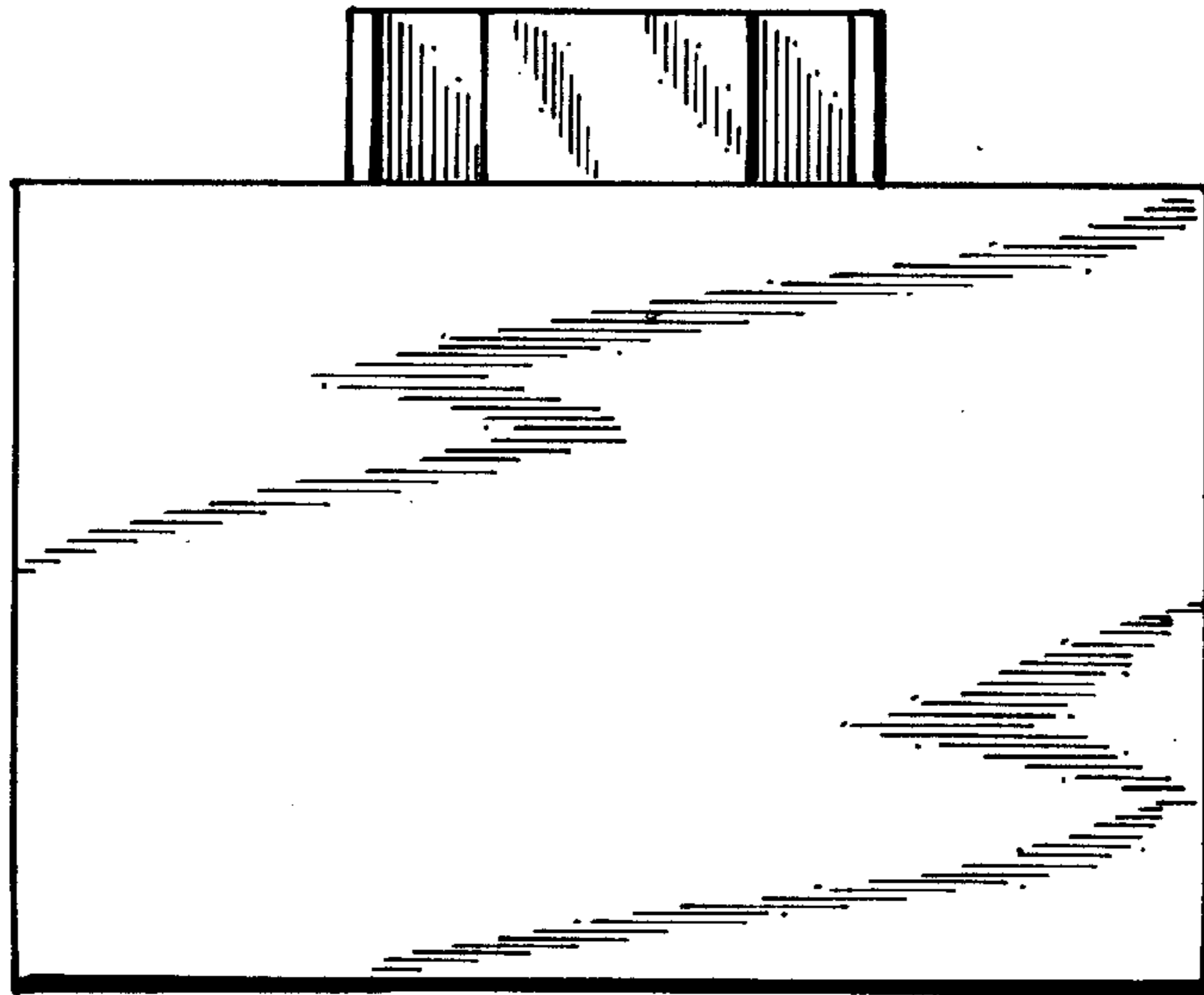


FIGURE 5

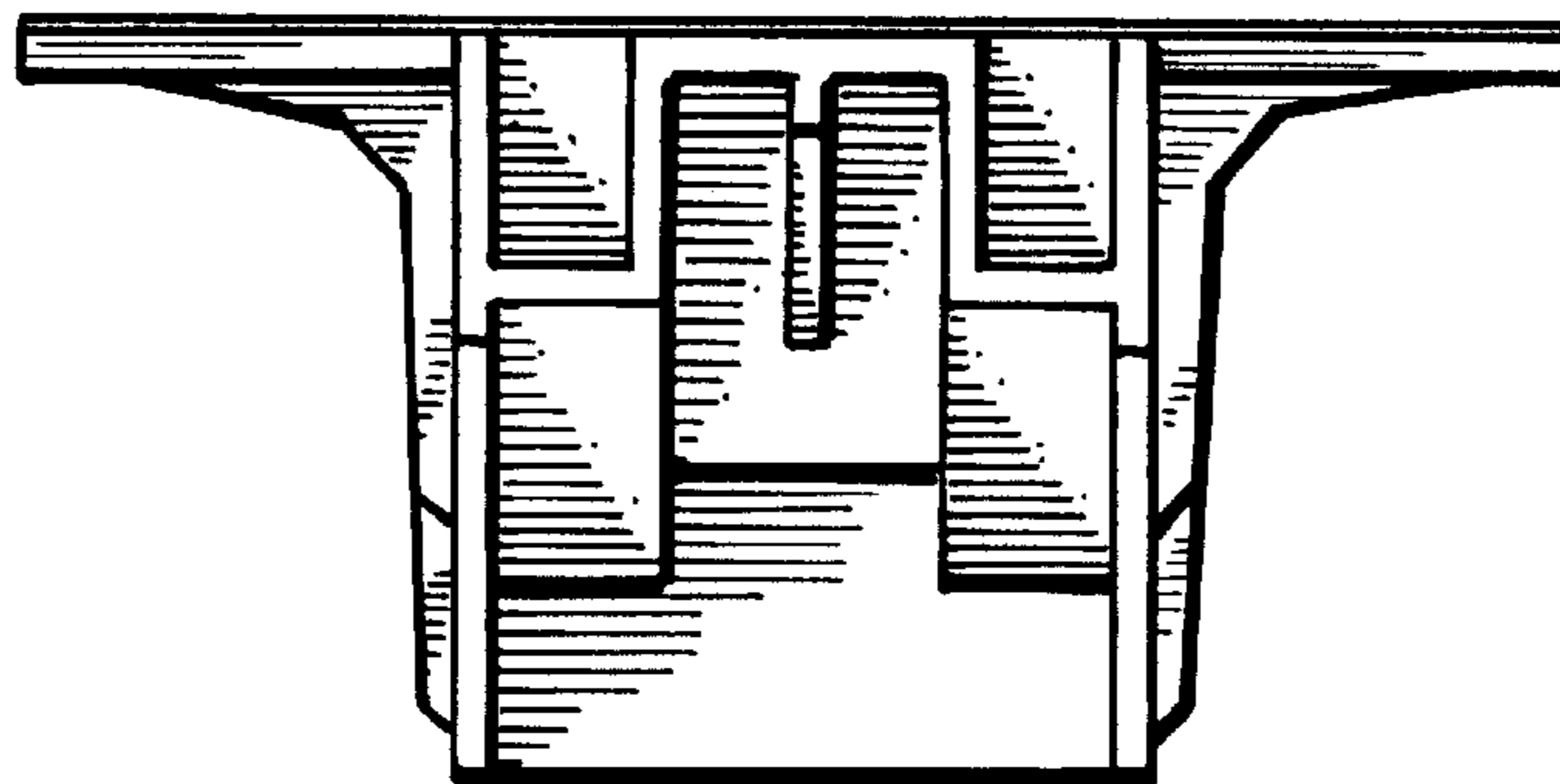


FIGURE 6

