



US00D458209S

(12) **United States Design Patent**
Darbshire

(10) **Patent No.:** **US D458,209 S**

(45) **Date of Patent:** **** Jun. 4, 2002**

(54) **TRAY MOUNTABLE TO A SLIDING FRAME FOR MOUNTING TO A VEHICLE BED**

(75) Inventor: **R. Alan Darbshire, St. Thomas (CA)**

(73) Assignee: **Durakon Acquisition Corp., Lapeer, MI (US)**

(**) Term: **14 Years**

(21) Appl. No.: **29/116,243**

(22) Filed: **Dec. 27, 1999**

Related U.S. Application Data

(63) Continuation-in-part of application No. 09/393,436, filed on Sep. 10, 1999, now abandoned.

(51) **LOC (7) Cl.** **12-06**

(52) **U.S. Cl.** **D12/221**

(58) **Field of Search** D12/221, 98, 15; 296/183, 39.1-39.3, 164, 167, 37.6; 414/462, 522; 224/281, 401, 554, 564

(56) **References Cited**

U.S. PATENT DOCUMENTS

- 4,188,058 A 2/1980 Resa et al.
- D259,928 S * 7/1981 Weis et al. D12/98
- 4,750,776 A 6/1988 Barben
- D333,112 S * 2/1993 Diaco et al. D12/98
- D371,535 S * 7/1996 Young D12/221
- 5,634,408 A 6/1997 Jarkowski
- D417,182 S * 11/1999 Vitoorapakorn D12/221

OTHER PUBLICATIONS

Deck Express, Inc., "Does This Look Familiar?" brochure copy, ca. 1995-1996.

* cited by examiner

Primary Examiner—Melody N. Brown

(74) *Attorney, Agent, or Firm*—Christopher John Rudy

(57) **CLAIM**

The ornamental design for a tray mountable to a sliding frame for mounting to a vehicle bed, as shown and described.

DESCRIPTION

FIG. 1 is a rear perspective view of a tray mountable to a sliding frame for mounting to a vehicle bed, showing a first embodiment of my new design.

FIG. 2 is a top view thereof;

FIG. 3 is a bottom view thereof;

FIG. 4 is a left side view thereof, the right side being in essence a mirror image of the left;

FIG. 5 is a rear view thereof; and

FIG. 6 is a front view thereof.

FIG. 7 is a perspective view of the tray of FIGS. 1-6, shown mounted to a sliding frame which is mounted to the bed of a pickup truck, both the frame and pickup shown in broken lines (environment), that shows my new design. The broken lines shown in FIG. 7 are for illustrative purposes only, and form no part of the claimed design.

FIG. 8 is a bottom view of a tray mountable to a sliding frame for mounting to a vehicle bed showing a second embodiment of my new design having a plain bottom surface, with all other views the same as depicted in FIGS. 1, 2 & 4-6.

FIG. 9 is a perspective view of a tray mountable to a sliding frame for mounting to a vehicle bed showing a third embodiment of my new design.

FIG. 10 is a top view of the tray of FIG. 9;

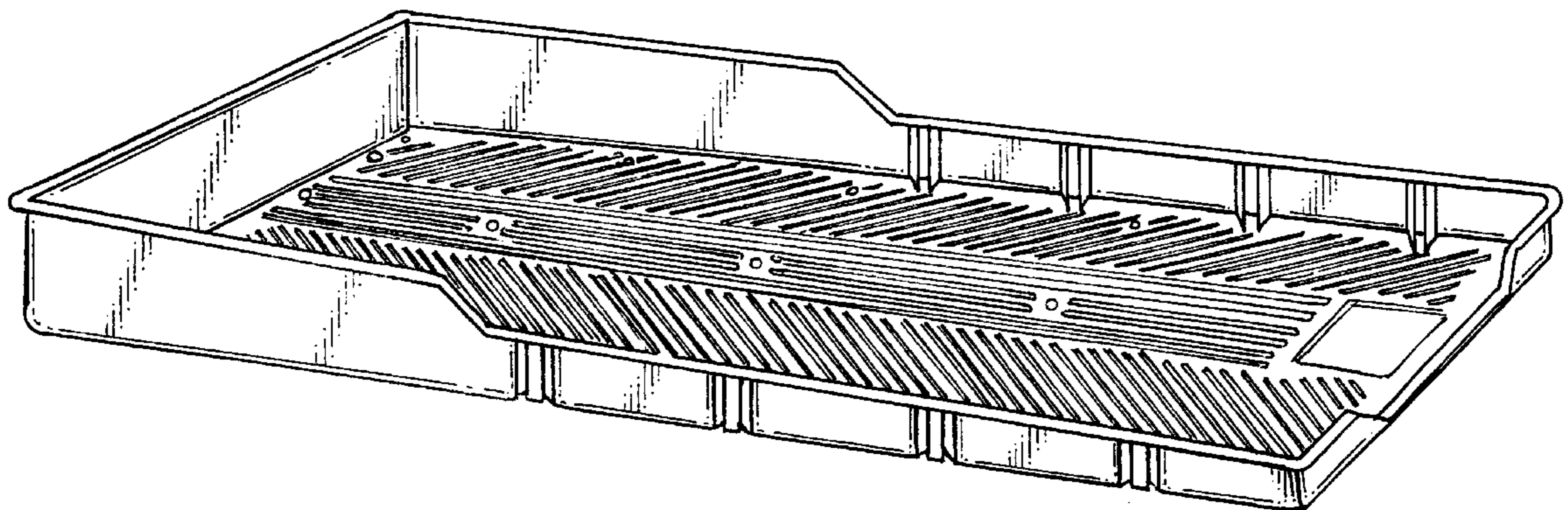
FIG. 11 is a bottom view of the tray of FIG. 9;

FIG. 12 is a right side view of the tray of FIG. 9, the left side view of the tray of FIG. 9 being a mirror image of the right side view;

FIG. 13 is a front view of the tray of FIG. 9; and,

FIG. 14 is a rear view of the tray of FIG. 9.

1 Claim, 5 Drawing Sheets



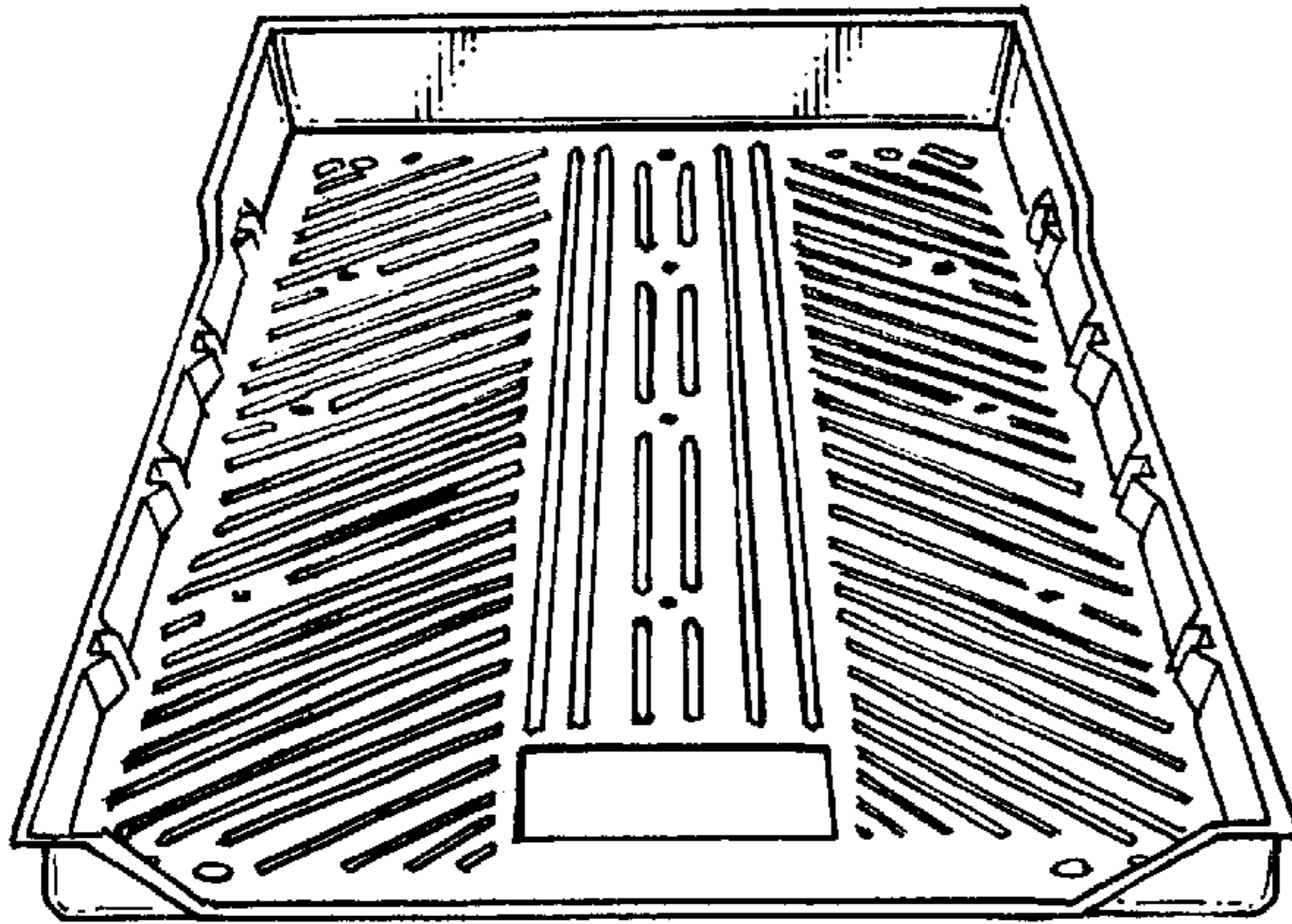


FIG. 1

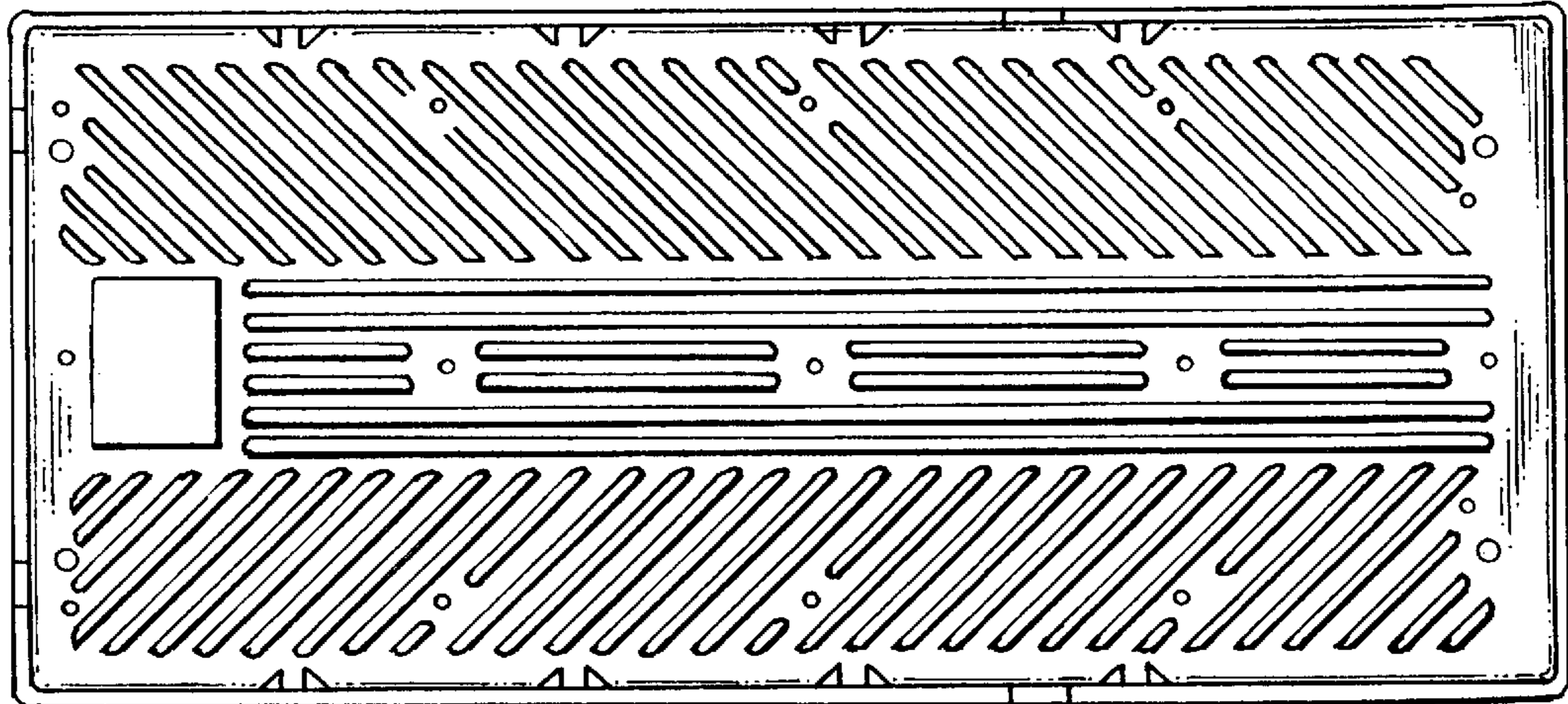


FIG. 2

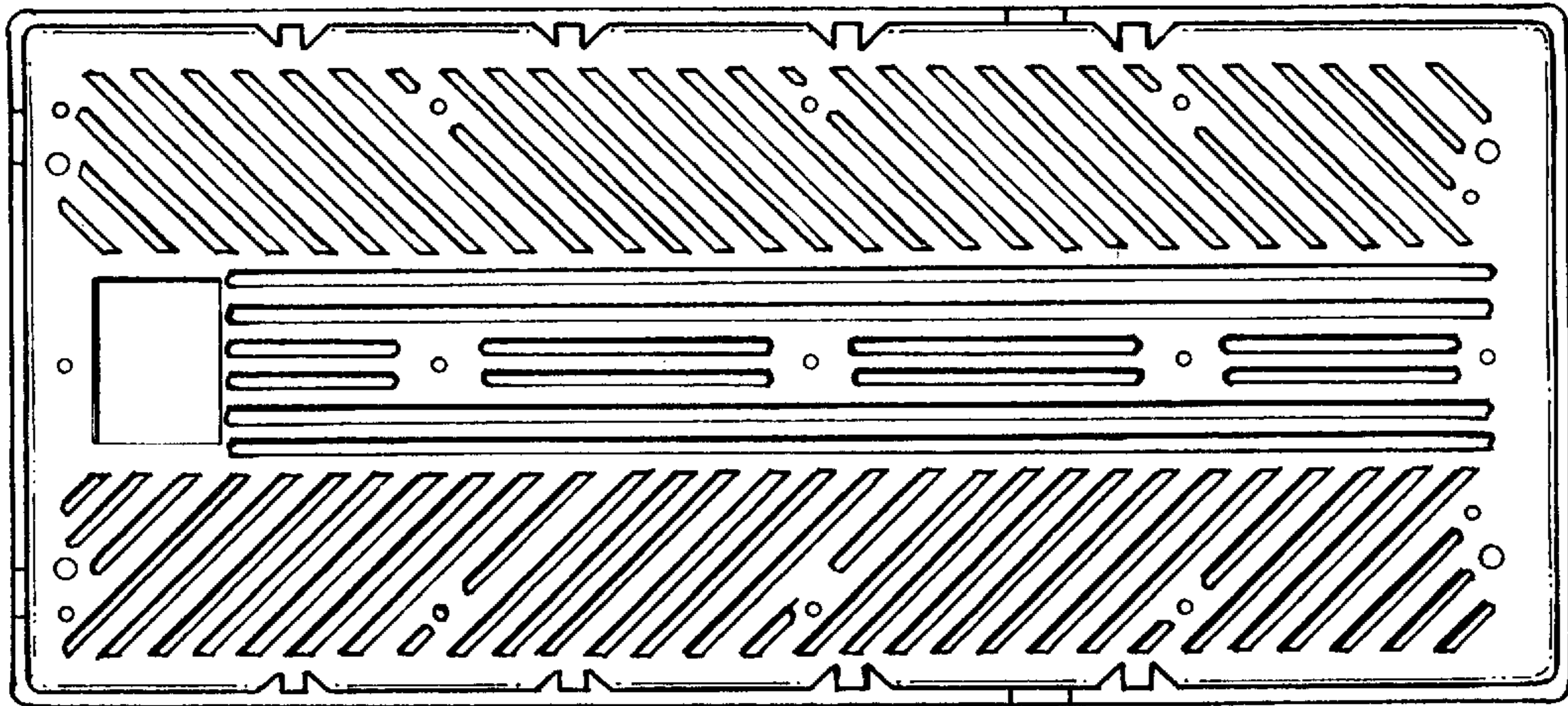


FIG. 3



FIG. 4



FIG. 5

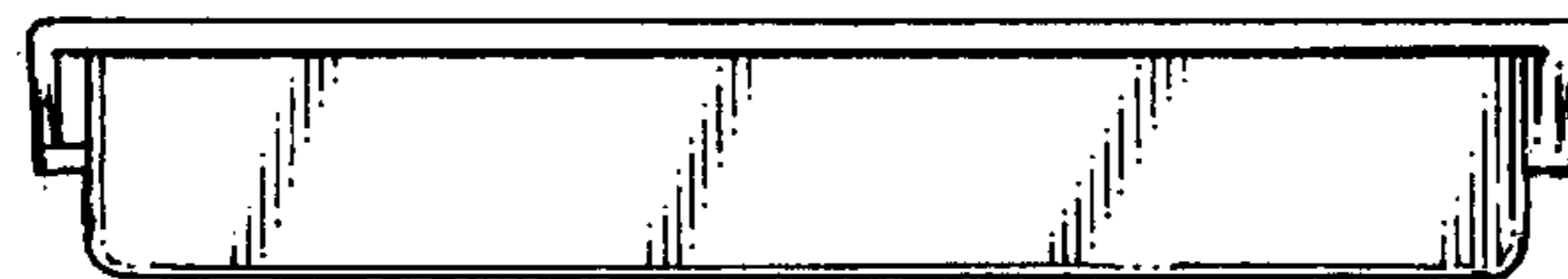


FIG. 6

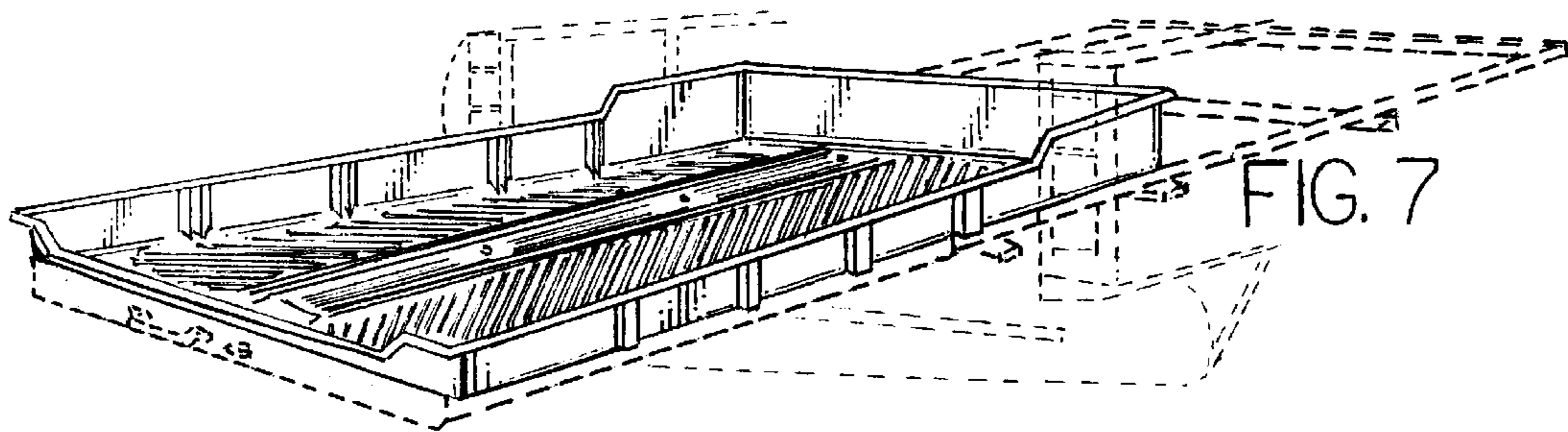


FIG. 7

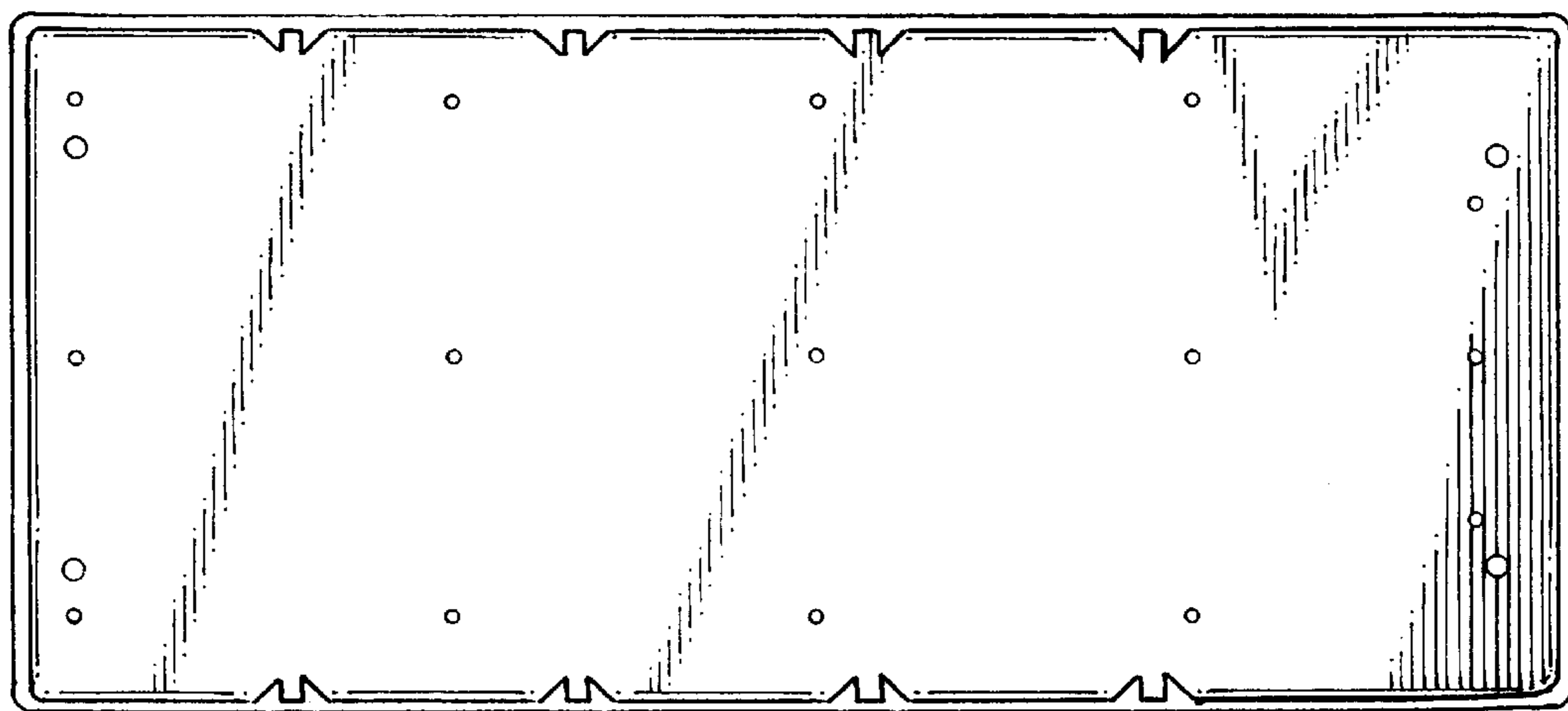


FIG. 8

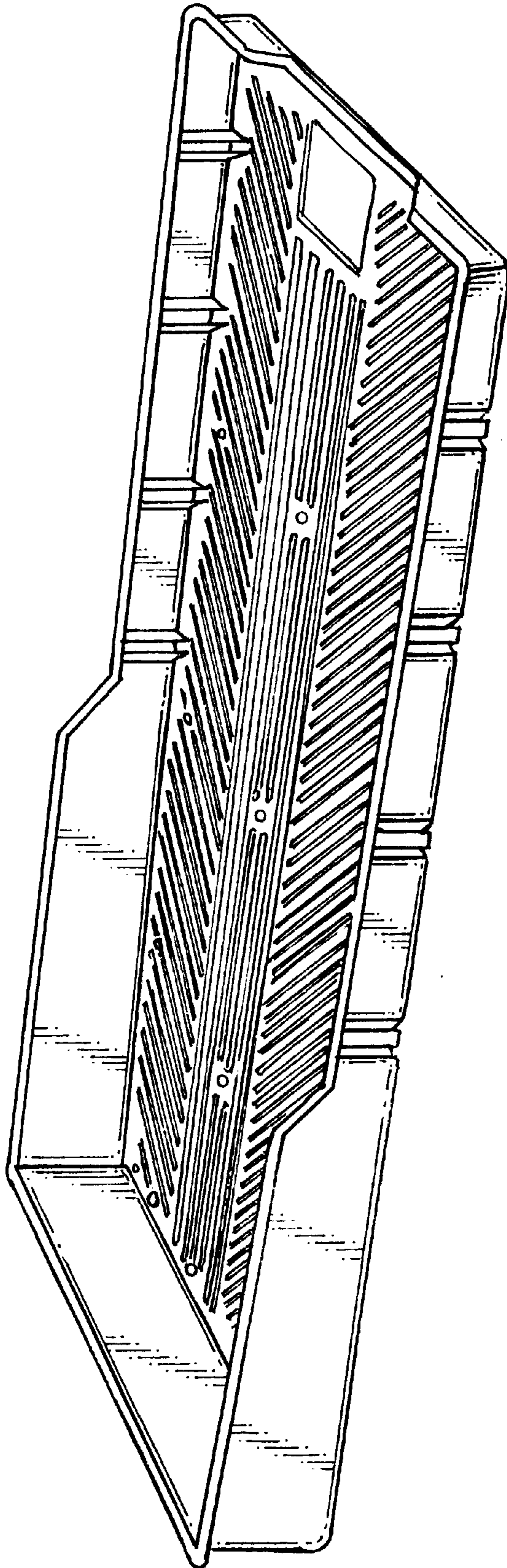


FIG. 9

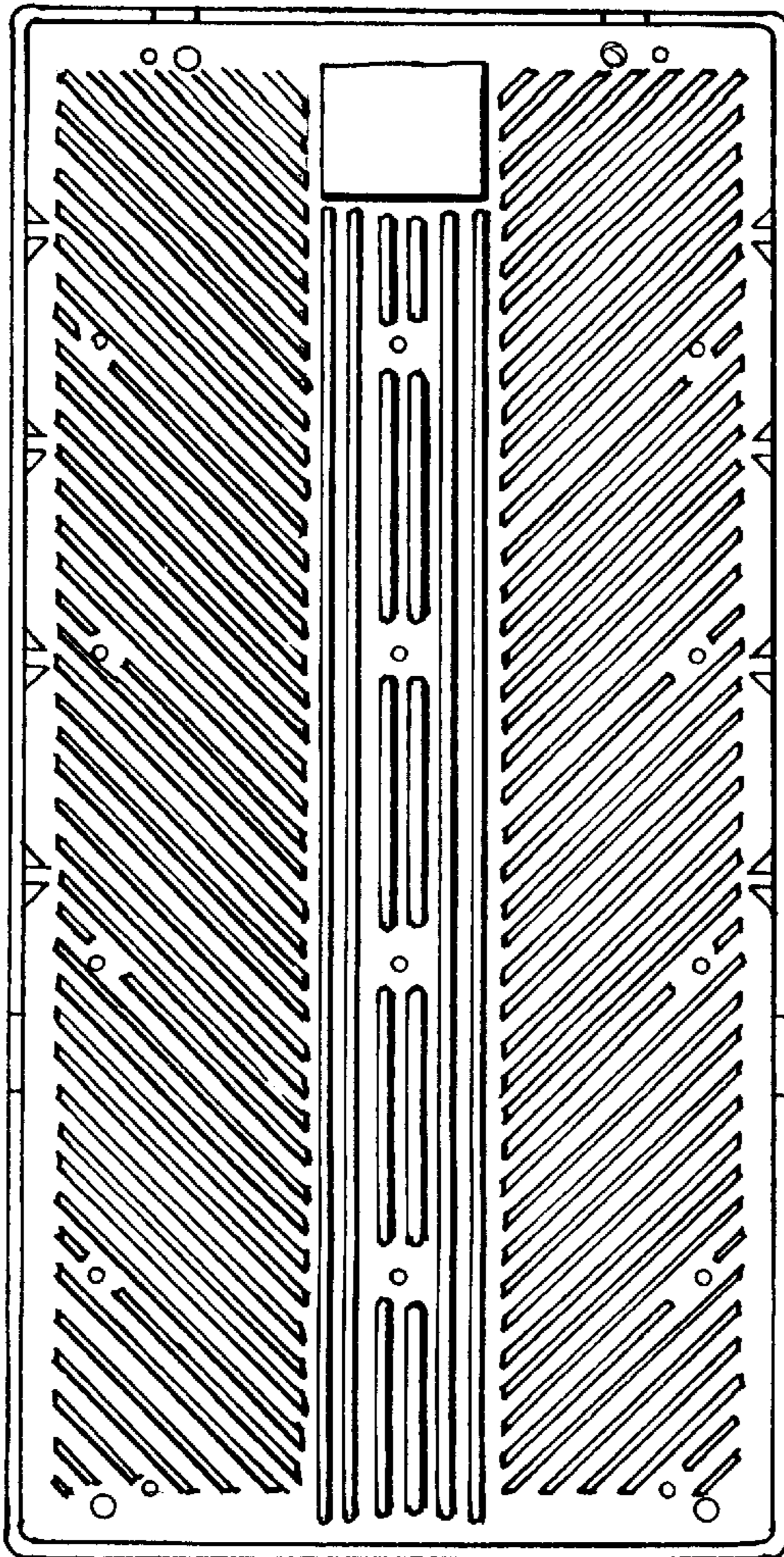


FIG. 10

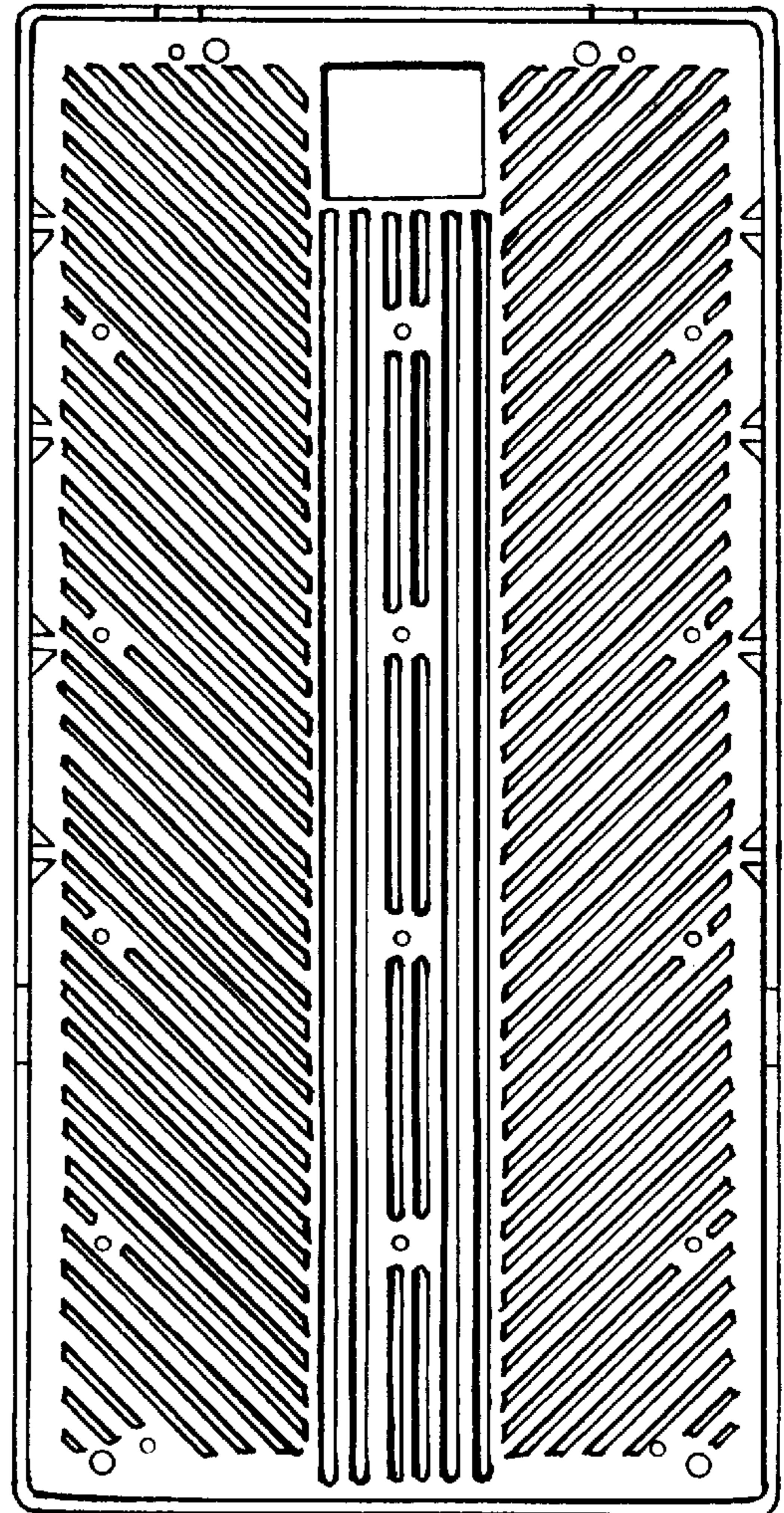


FIG. 11



FIG. 12

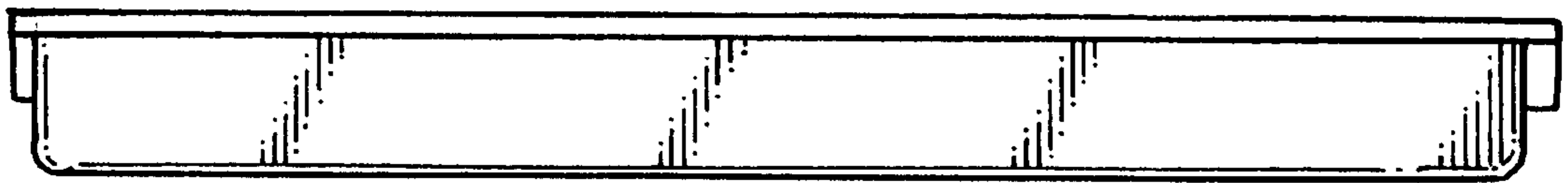


FIG. 13



FIG. 14