



US00D458208S

(12) **United States Design Patent**
Hartl

(10) **Patent No.:** **US D458,208 S**

(45) **Date of Patent:** **** Jun. 4, 2002**

(54) **AUTOMOTIVE WHEEL**

(75) **Inventor:** **Joshua Hartl**, Davis, CA (US)

(73) **Assignee:** **DM Tech America Inc**, Cerritos, CA (US)

(**) **Term:** **14 Years**

(21) **Appl. No.:** **29/135,927**

(22) **Filed:** **Jan. 22, 2001**

(51) **LOC (7) Cl.** **12-16**

(52) **U.S. Cl.** **D12/211**

(58) **Field of Search** **D12/204-211;**
301/37.1, 64.1, 65

(56) **References Cited**

U.S. PATENT DOCUMENTS

D336,886 S	*	6/1993	Mikawa	D12/211
D361,976 S	*	9/1995	Echazabal et al.	D12/211
D375,073 S	*	10/1996	Theiss	D12/209
D383,429 S	*	9/1997	Muzzarelli et al.	D12/211
D401,205 S	*	11/1998	Fischer	D12/209
D412,149 S	*	7/1999	Corioni	D12/211

D418,798 S	*	1/2000	Muzzarelli et al.	D12/211
D428,845 S	*	8/2000	Yoshida et al.	D12/211
D439,212 S	*	3/2001	Neeper	D12/211
D441,709 S	*	5/2001	Vian	D12/211
D444,118 S	*	6/2001	Chung	D12/211
D448,714 S	*	10/2001	Pusdesris et al.	D12/211
D451,466 S	*	12/2001	Fujii	D12/211

* cited by examiner

Primary Examiner—Stacia Cadmus

(74) *Attorney, Agent, or Firm*—G. Donald Weber, Jr.

(57) **CLAIM**

The ornamental design for an automotive wheel, as shown and described.

DESCRIPTION

FIG. 1 is an oblique view of the automotive wheel of the instant invention; and,

FIG. 2 is a side elevation view of the automotive wheel of the instant invention.

The broken line showing of environment is for illustrative purposes only and forms no part of the claimed design.

1 Claim, 1 Drawing Sheet

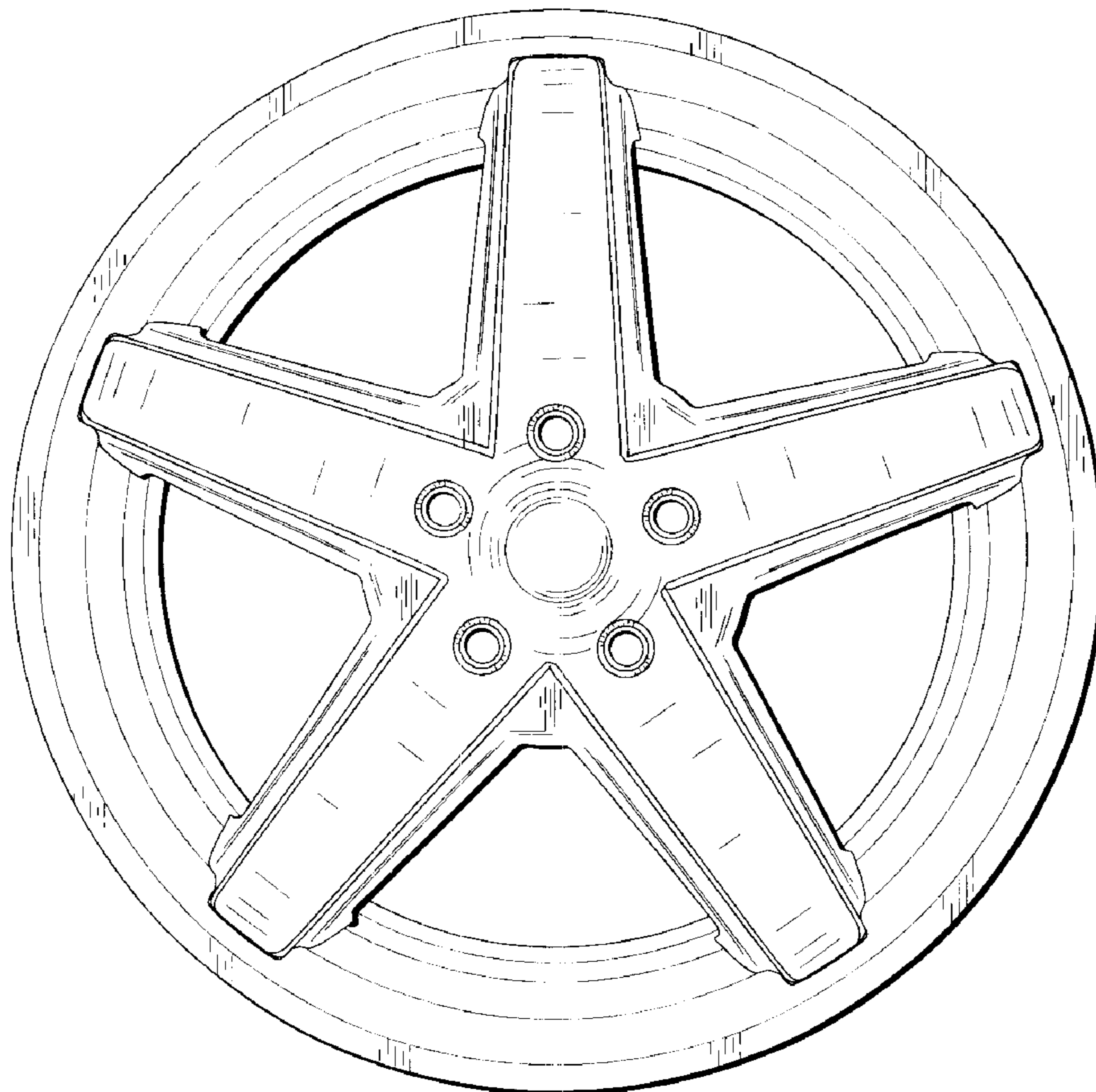


Fig. 1

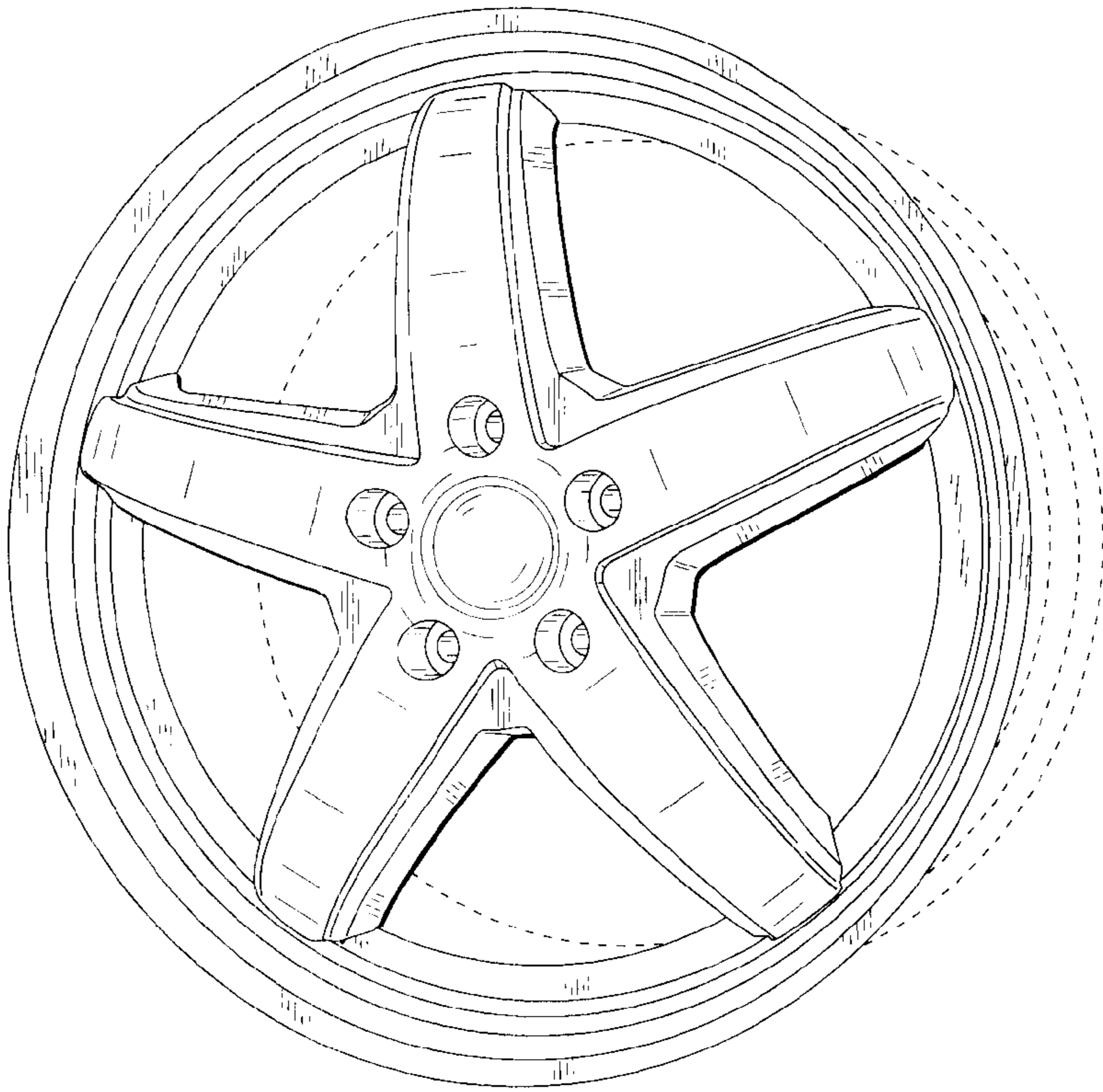


Fig. 2

