



US00D458207S

(12) **United States Design Patent**
Hale, Jr.

(10) **Patent No.:** **US D458,207 S**
(45) **Date of Patent:** **** Jun. 4, 2002**

- (54) **VEHICLE-WHEEL FRONT FACE**
- (75) Inventor: **Arthur D. Hale, Jr.**, Long Beach, CA (US)
- (73) Assignee: **Mobile Hi-Tech Wheels**, La Palma, CA (US)
- (**) Term: **14 Years**
- (21) Appl. No.: **29/150,985**
- (22) Filed: **Oct. 23, 2001**
- (51) **LOC (7) Cl.** **12-16**
- (52) **U.S. Cl.** **D12/209**
- (58) **Field of Search** D12/204-211;
301/37.1, 64.1, 65

- D438,161 S * 2/2001 Ong D12/209
- D444,439 S * 7/2001 Cullen D12/211
- D445,392 S * 7/2001 Chung D12/211
- D449,810 S * 10/2001 Hussaini et al. D12/209
- D451,462 S * 12/2001 Donkoglu D12/209

* cited by examiner

Primary Examiner—Stacia Cadmus

(74) *Attorney, Agent, or Firm*—Christie, Parker & Hale, LLP

(57) **CLAIM**

The ornamental design for vehicle-wheel front face, as shown and described.

DESCRIPTION

FIG. 1 is a perspective view of a vehicle-wheel front face according to my new design; FIG. 2 is a front elevational view thereof; and, FIG. 3 is a side elevational view thereof taken from the left side of FIG. 2.

Portions of the wheel depicted in broken line are for illustrative purposes only, and form no part of the claimed design.

(56) **References Cited**

U.S. PATENT DOCUMENTS

- D416,533 S * 11/1999 Sulahian D12/211
- D422,257 S * 4/2000 Pruden D12/209
- D482,972 * 10/2000 Chung D12/209
- D435,823 S * 1/2001 Fitzgerald D12/211
- D436,567 S * 1/2001 Takechi D12/209

1 Claim, 3 Drawing Sheets

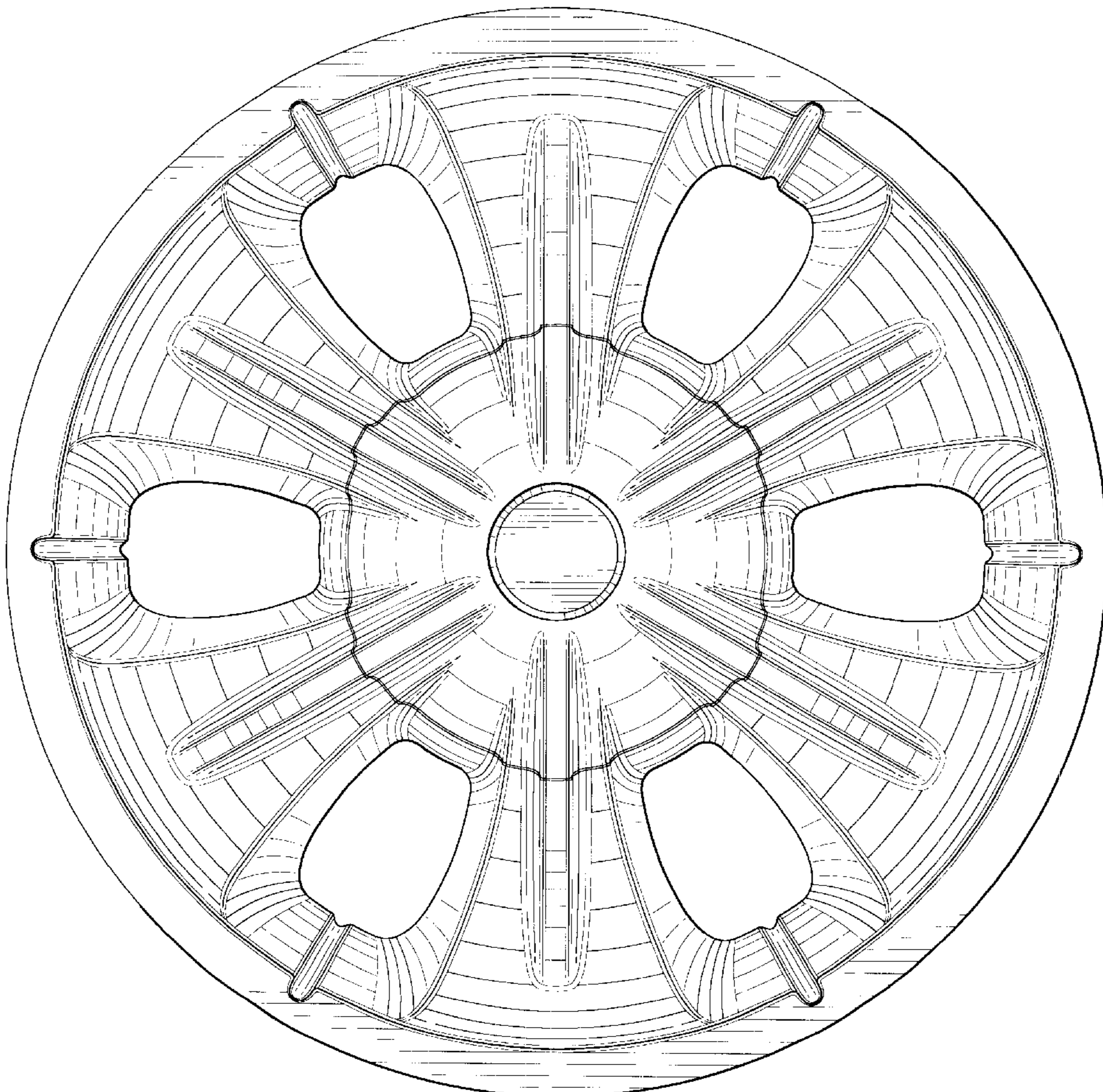


FIG. 1

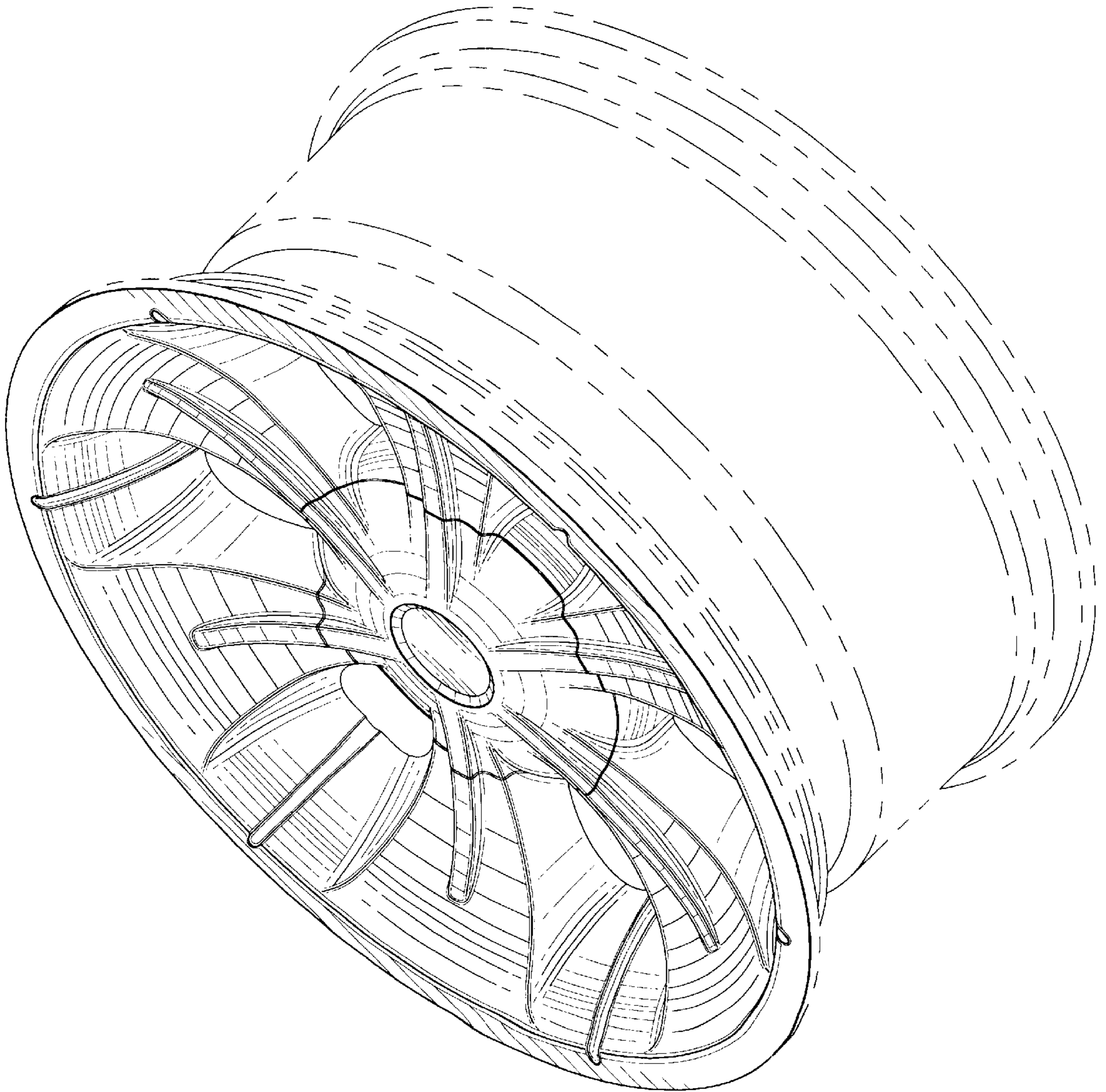


FIG. 2

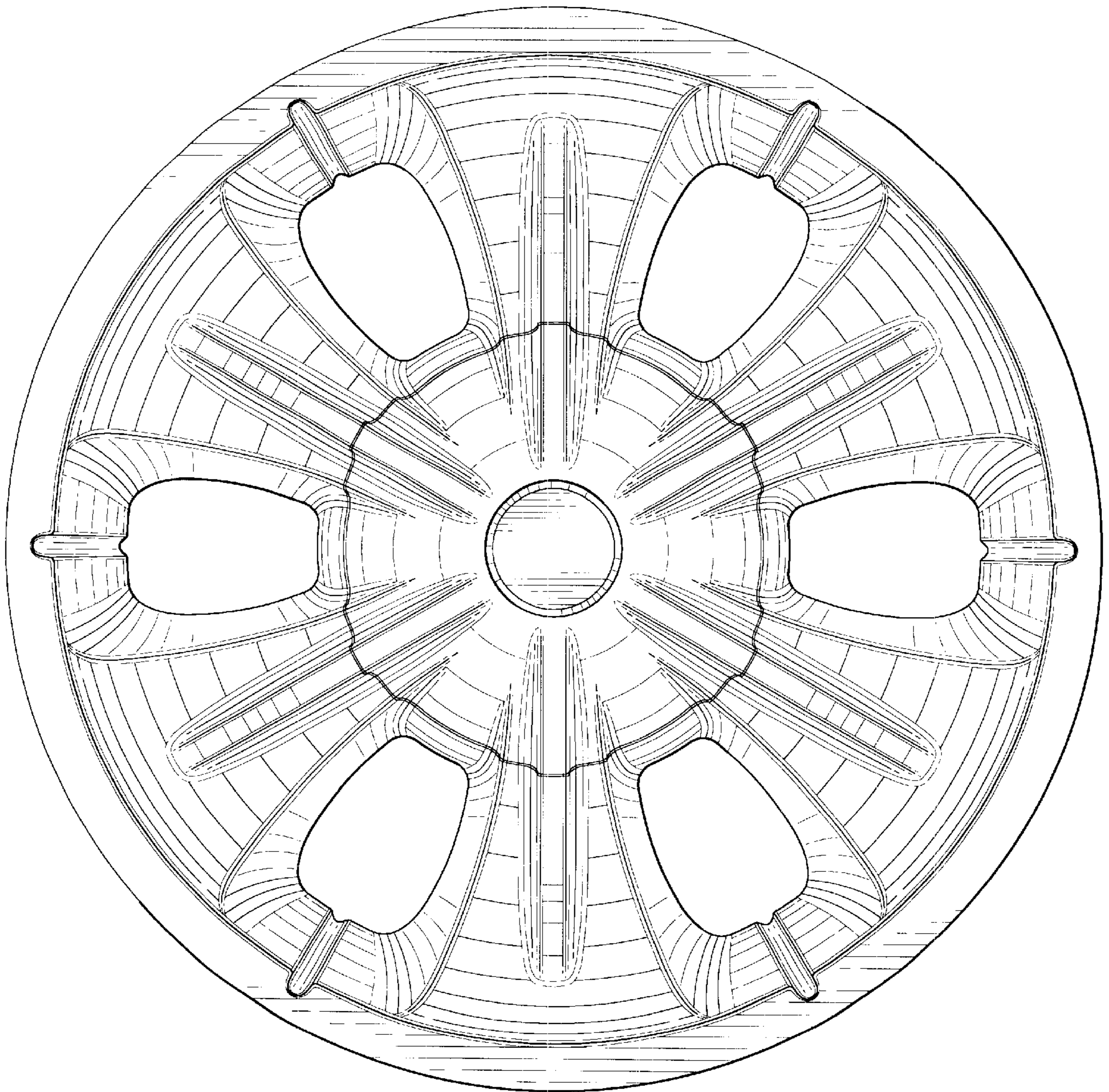


FIG. 3

