



US00D458202S

(12) **United States Design Patent**
Passarotto

(10) **Patent No.:** **US D458,202 S**

(45) **Date of Patent:** **** Jun. 4, 2002**

(54) **SPOKED WHEEL FOR BICYCLES**

(75) **Inventor:** **Maurizio Passarotto, Rovigo (IT)**

(73) **Assignee:** **Campagnolo Srl, Vicenza (IT)**

(**) **Term:** **14 Years**

(21) **Appl. No.:** **29/140,599**

(22) **Filed:** **Apr. 23, 2001**

(30) **Foreign Application Priority Data**

Oct. 24, 2000 (IT) TO0000284

(51) **LOC (7) Cl.** **12-16**

(52) **U.S. Cl.** **D12/205**

(58) **Field of Search** D12/204-211;
301/37.1, 64.1, 65, 6.9, 66, 73, 96, 97

(56) **References Cited**

U.S. PATENT DOCUMENTS

- D54,587 S * 3/1920 Bowers D12/205
- D54,588 S * 3/1920 Bowers D12/205
- 1,486,895 A * 3/1924 Hubbard D12/205 X
- D84,450 S * 6/1931 Weber D12/205
- D232,630 S * 9/1974 Siroonian D12/205

- D248,747 S * 8/1978 Hood D12/205
- D256,686 S * 9/1980 Zielinski D12/205
- D256,687 S * 9/1980 Zielinski D12/205
- D256,688 S * 9/1980 Zielinski D12/205
- 4,240,483 A * 12/1980 Gregoric 301/74
- D259,195 S * 5/1981 Smith D12/205
- D267,167 S * 12/1982 Suzuki et al. D12/205
- D269,506 S * 6/1983 Suzuki et al. D12/205
- D281,062 S * 10/1985 Hess D12/205
- D388,757 S * 1/1998 Johnson D12/205
- D426,509 S * 6/2000 La Delpha D12/205

* cited by examiner

Primary Examiner—Stacia Cadmus

(74) *Attorney, Agent, or Firm*—Sughrue Mion, PLLC

(57) **CLAIM**

The ornamental design for a spoked wheel for bicycles, as shown and described.

DESCRIPTION

FIG. 1 is a front view of a spoked wheel for bicycles, showing my new design; and, FIG. 2 is a top view thereof, it being understood that the bottom view and the end views are a mirror image thereof.

1 Claim, 1 Drawing Sheet

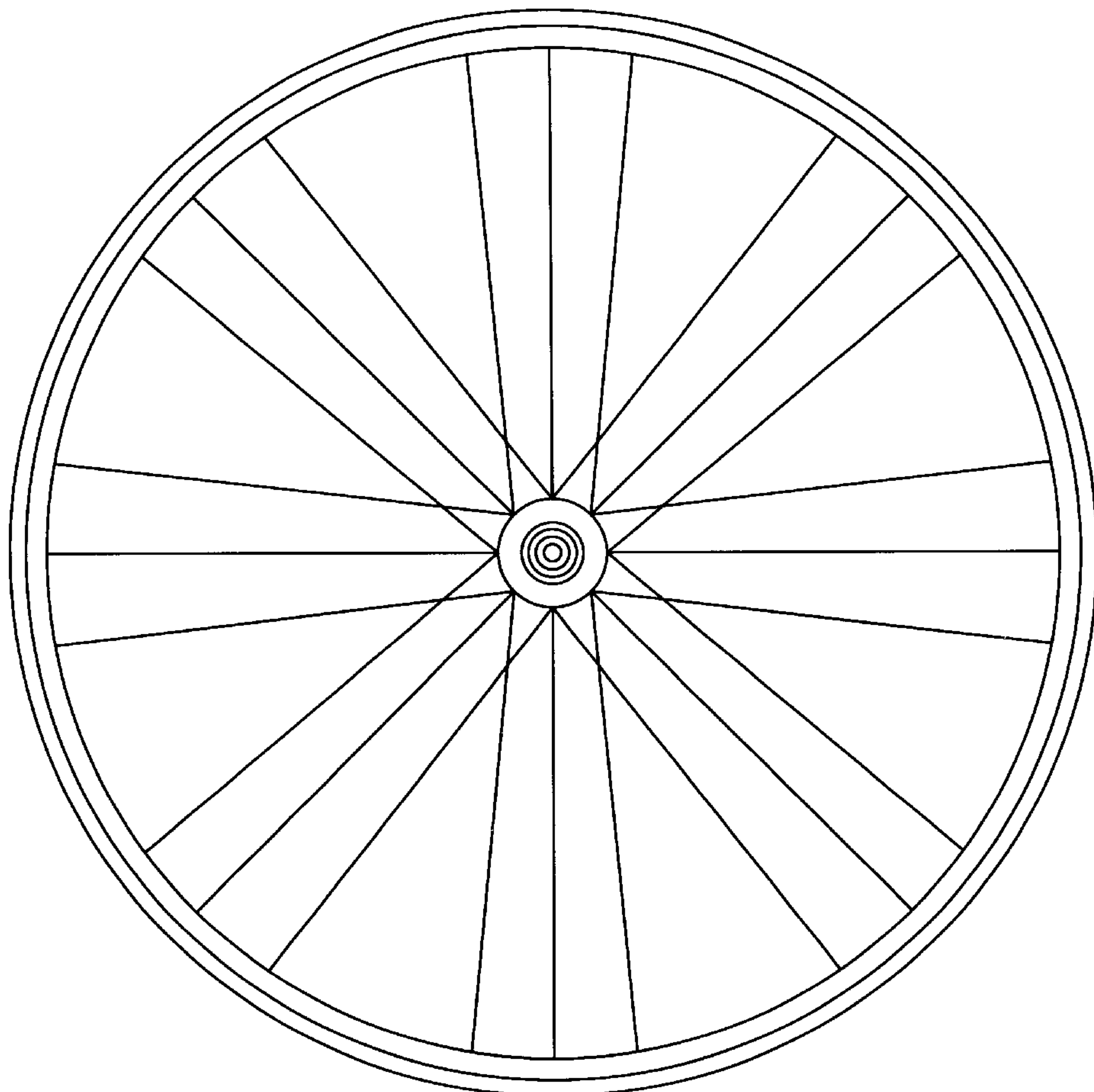


Fig. 1

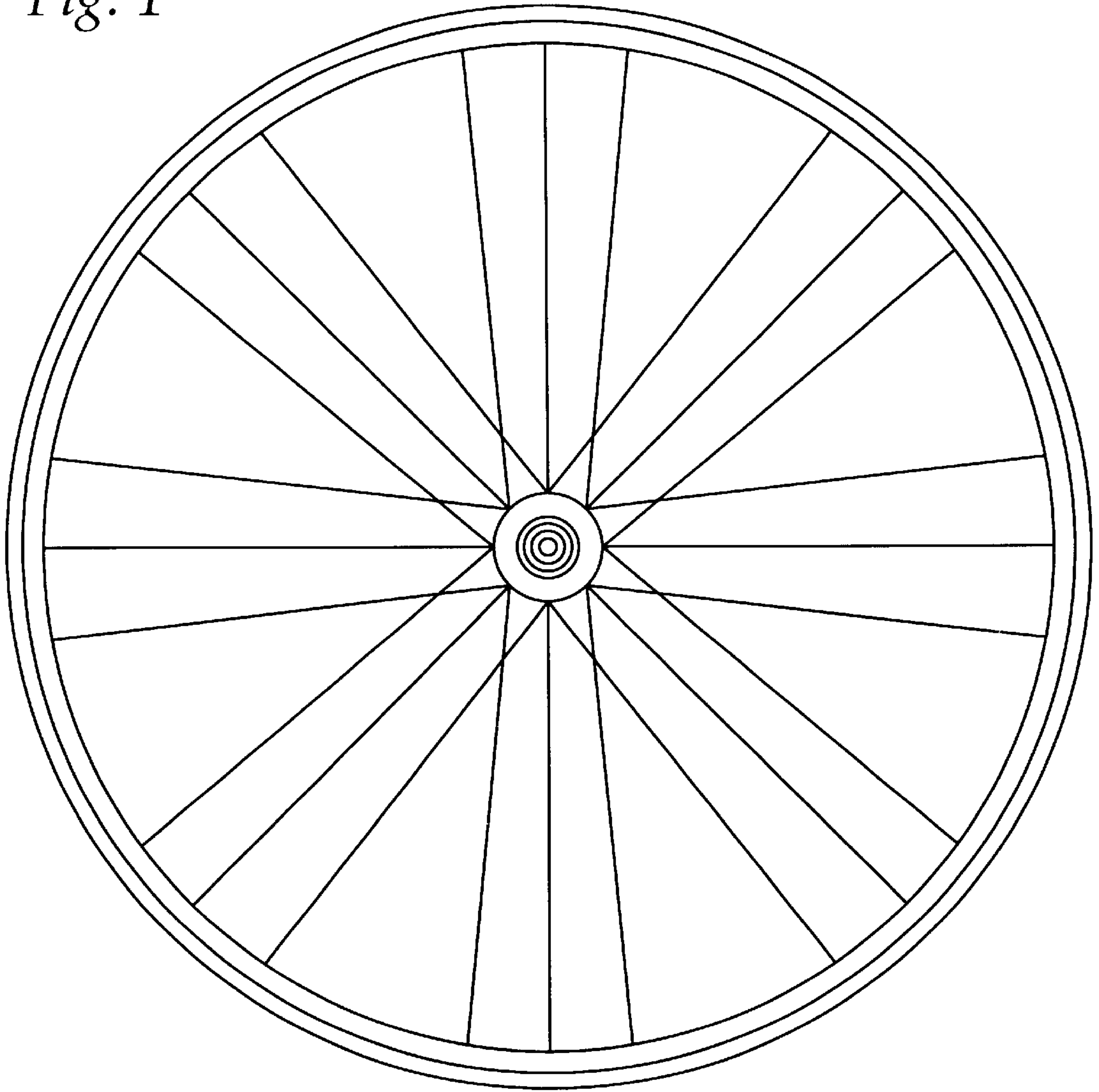


Fig. 2

