



US00D458201S

(12) **United States Design Patent**
Warren

(10) **Patent No.:** **US D458,201 S**
(45) **Date of Patent:** **** Jun. 4, 2002**

(54) **ENGINE EXHAUST GUARD**

(76) Inventor: **David L. Warren**, 1219 S. Meadow St.,
Richmond, VA (US) 23220

(*) Notice: This patent is subject to a terminal dis-
claimer.

(**) Term: **14 Years**

(21) Appl. No.: **29/098,387**

(22) Filed: **Dec. 29, 1998**

(51) **LOC (7) Cl.** **12-16**

(52) **U.S. Cl.** **D12/194; D12/400**

(58) **Field of Search** D12/194, 400;
D19/43; 16/2.2, 108; 60/324; 137/382,
514, 527.4; 138/89, 96 R; 220/724; 251/128,
299, 904

(56) **References Cited**

U.S. PATENT DOCUMENTS

294,936 A	3/1884	Thrush et al.	
3,274,917 A	9/1966	Tolbert, Sr.	
3,285,418 A	* 11/1966	Miller	220/724
3,407,720 A	10/1968	Westerman	
3,788,072 A	1/1974	Burger	
3,847,297 A	11/1974	Baader et al.	
4,059,045 A	11/1977	McClain	
4,205,706 A	6/1980	Jasensky	
4,495,859 A	1/1985	Janke et al.	
D285,730 S	* 9/1986	Bulwick	D19/43
D323,186 S	* 1/1992	Clark et al.	D19/43
D342,546 S	* 12/1993	Song	D19/43

D379,372 S	* 5/1997	Young	D19/43
5,687,773 A	* 11/1997	Ryan et al.	138/96 R
D391,153 S	* 2/1998	Poisson et al.	D19/43
D409,659 S	* 5/1999	Hasegawa	D19/43

* cited by examiner

Primary Examiner—Robert M. Spear
(74) *Attorney, Agent, or Firm*—Olive & Olive, P.A.

(57) **CLAIM**

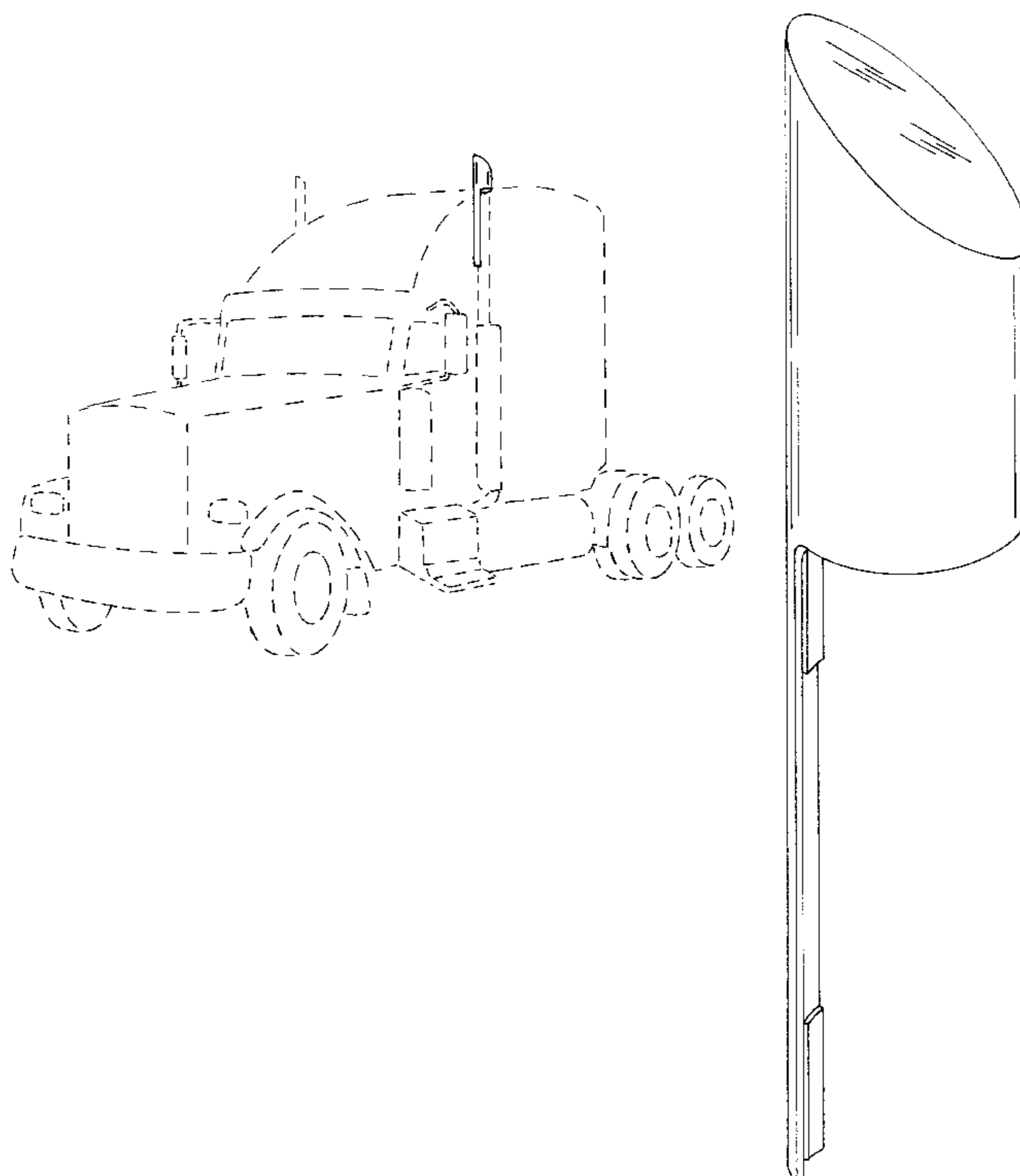
The ornamental design for an engine exhaust guard, as shown and described.

DESCRIPTION

FIG. 1 is a right side perspective view showing my new design covering a truck exhaust pipe;
FIG. 2 is a right front view in elevation of the engine exhaust guard;
FIG. 3 is a rear view in elevation of the engine exhaust guard of FIG. 2;
FIG. 4 is a side view in elevation of the engine exhaust guard as seen from the right-hand side of FIG. 2;
FIG. 5 is a front view in elevation of the engine exhaust guard as seen from the front of FIG. 2;
FIG. 6 is a top plan view of the engine exhaust guard of FIG. 2; and,
FIG. 7 is a bottom plan view of the engine exhaust guard of FIG. 2.

The broken line showing a truck and exhaust pipe in FIG. 1 and the area within are environmental only and form no part of the claimed design.

1 Claim, 3 Drawing Sheets



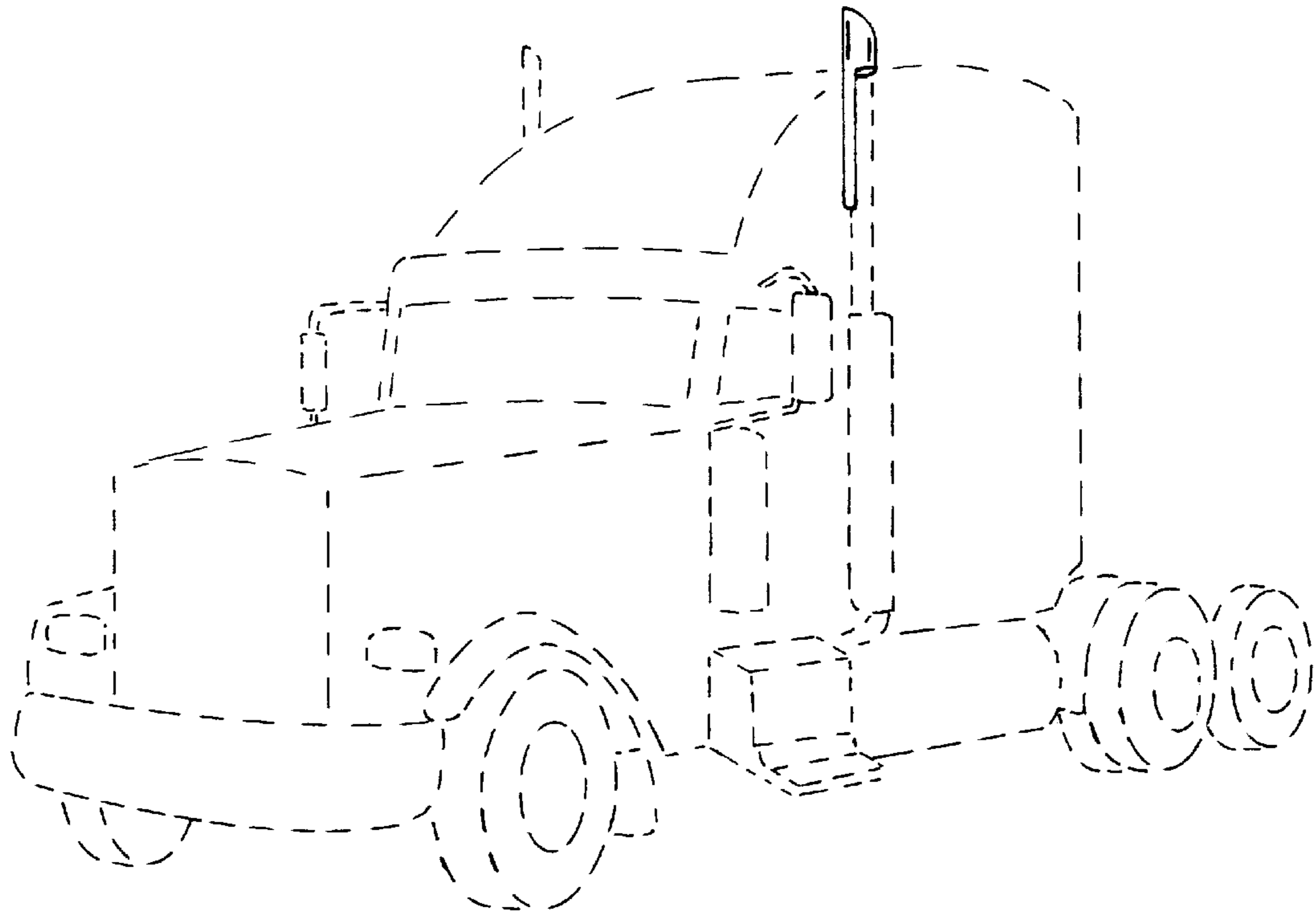


FIG. 1

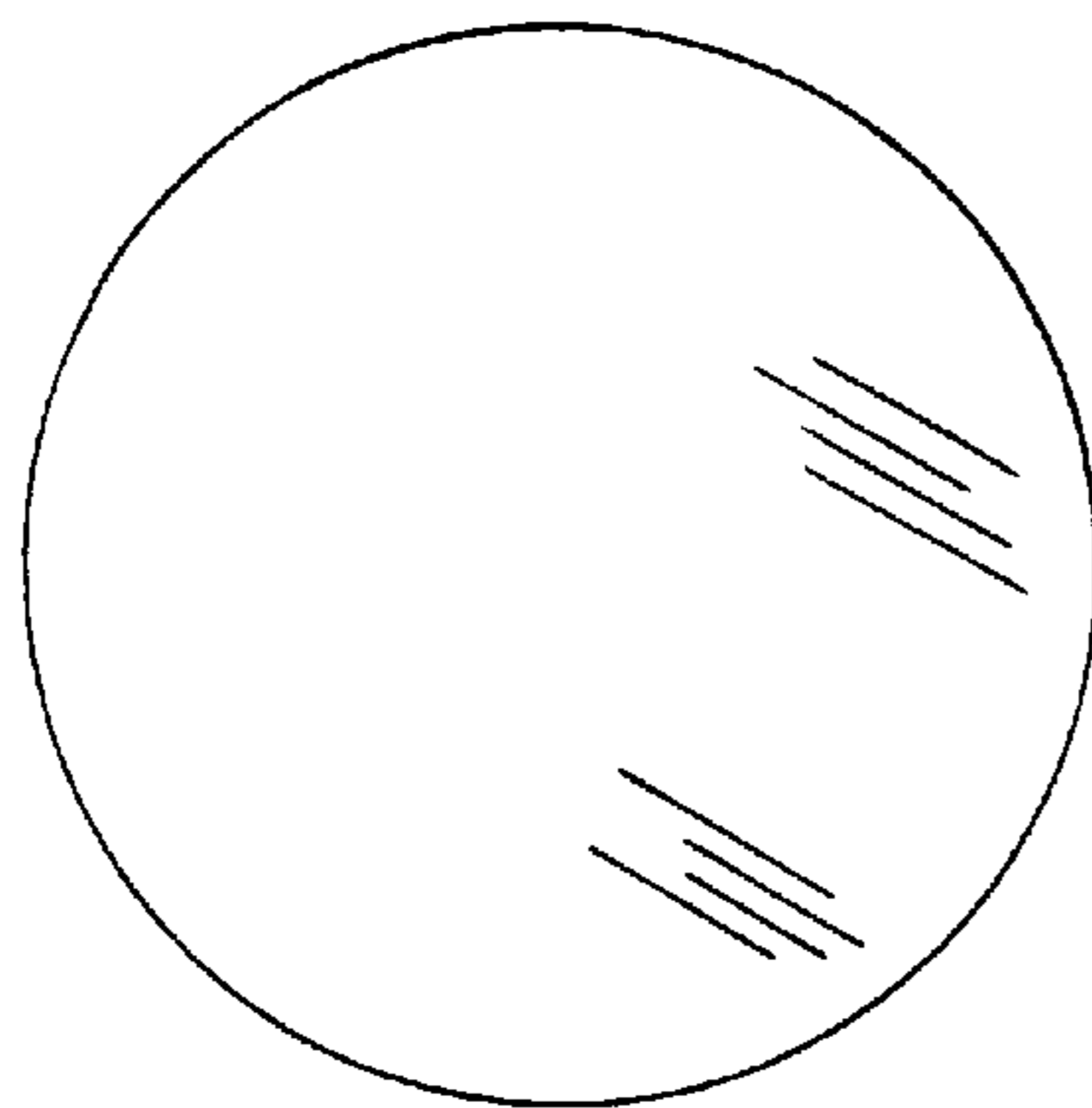


FIG. 6

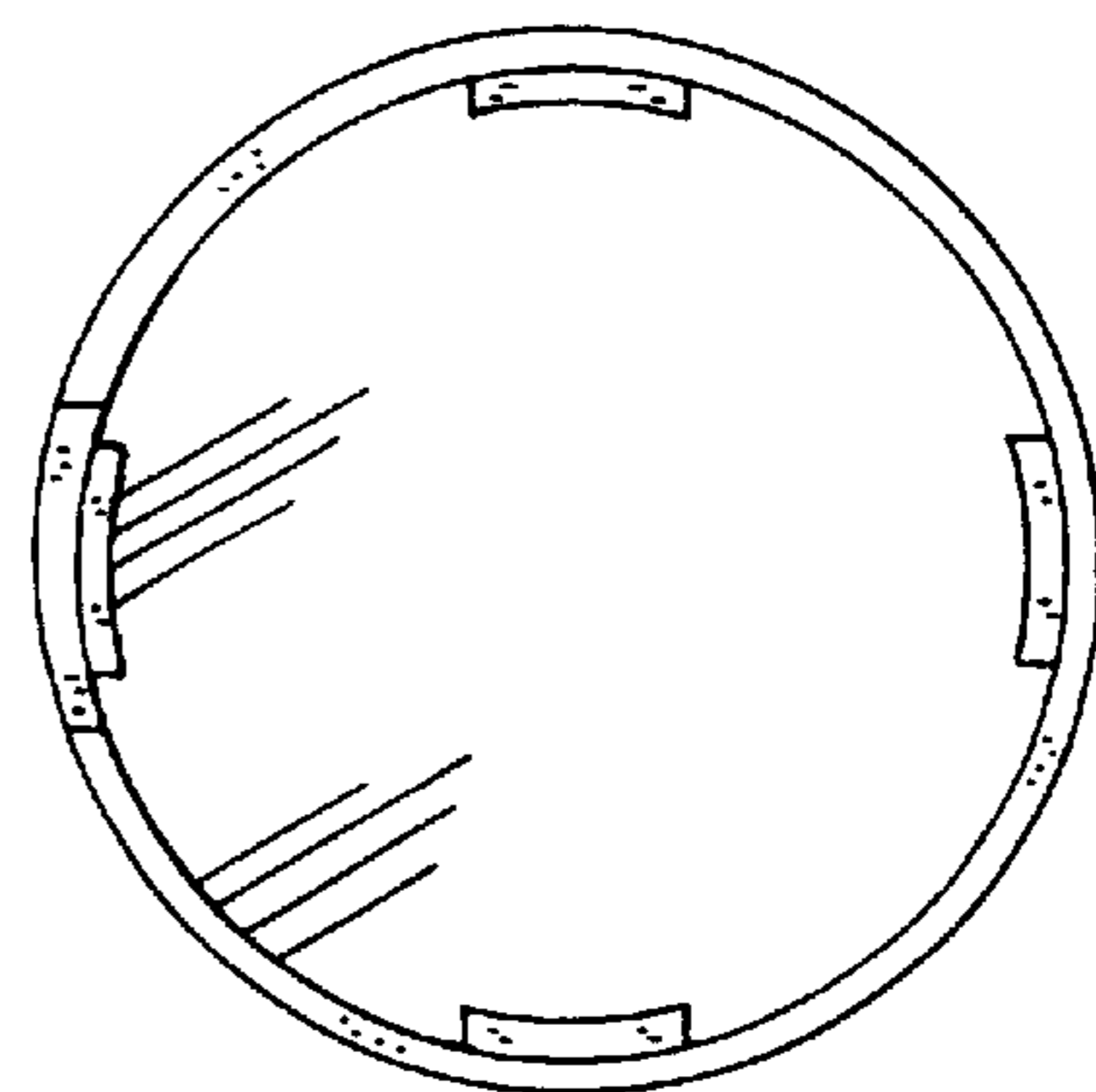


FIG. 7

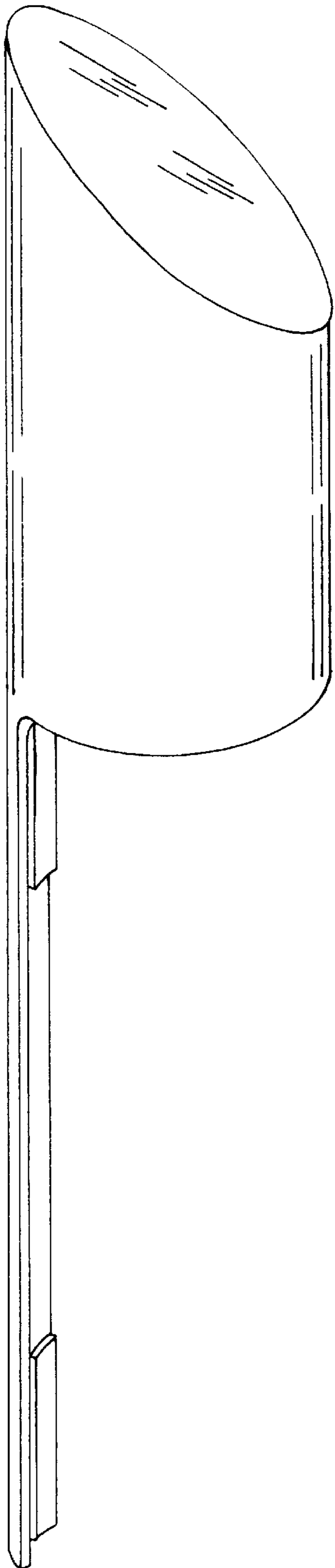


FIG. 2

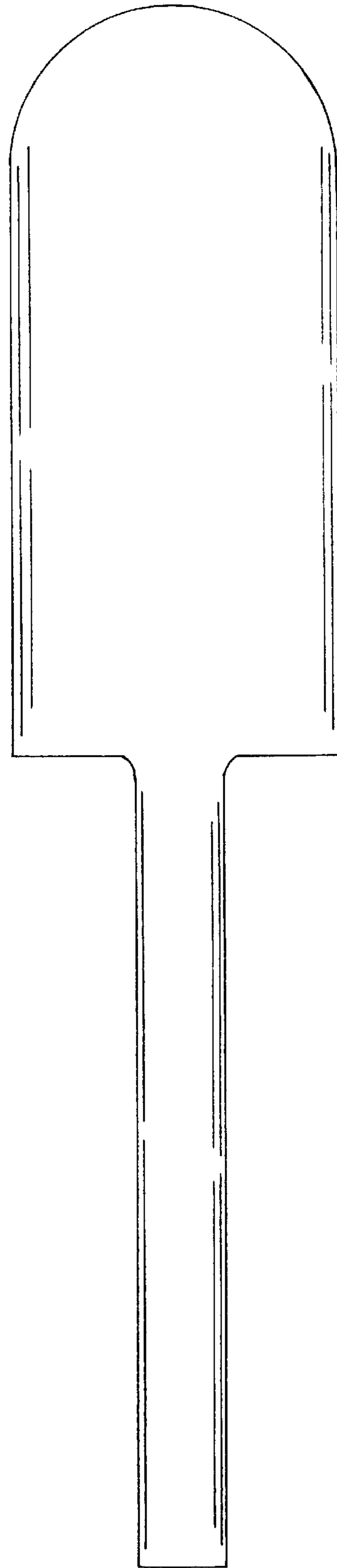


FIG. 3

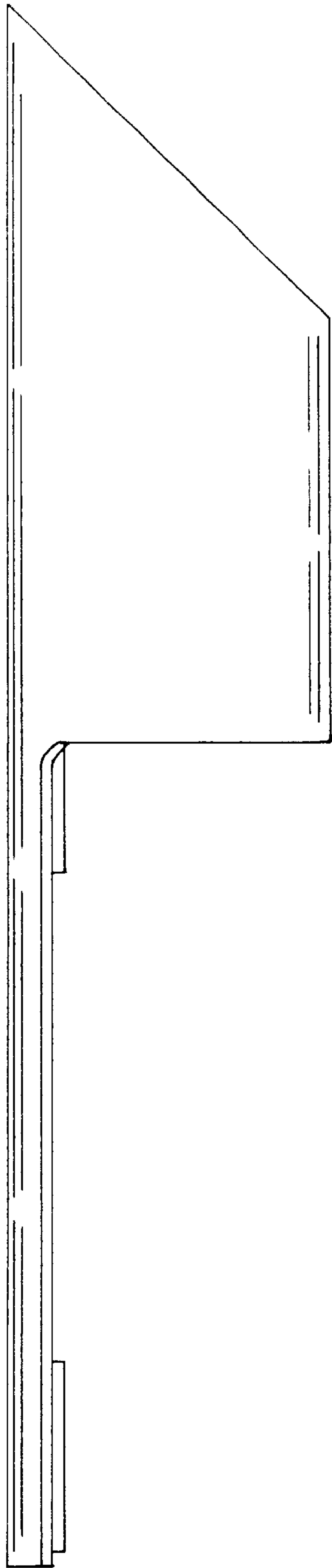


FIG. 4

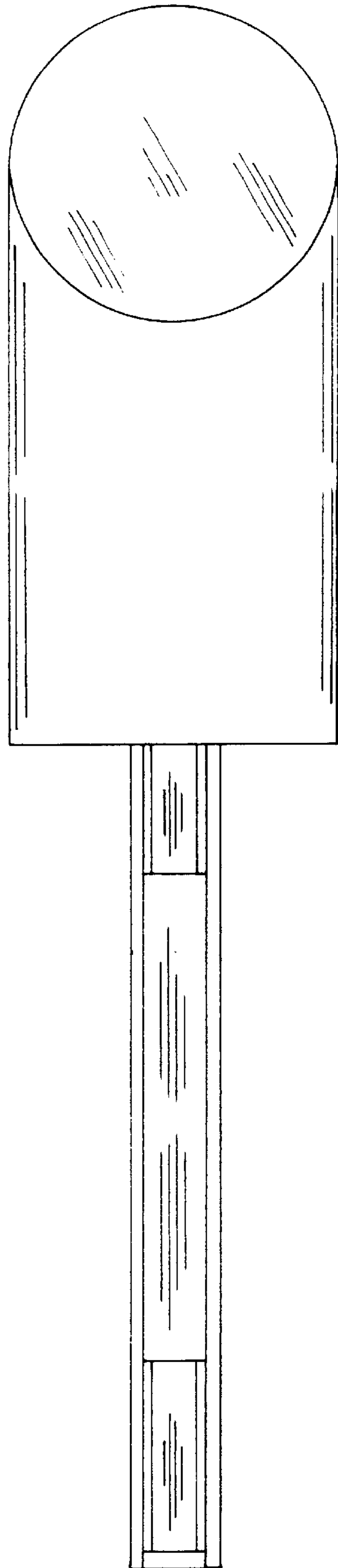


FIG. 5