



US00D458198S

(12) **United States Design Patent**  
**Oberti**

(10) **Patent No.:** **US D458,198 S**

(45) **Date of Patent:** **\*\* Jun. 4, 2002**

(54) **DISK FOR DISK BRAKE**

(75) Inventor: **Leone Oberti**, Lenna (IT)

(73) Assignee: **Freni Brembo S.p.A**, Bergamo (IT)

(\*\*) Term: **14 Years**

(21) Appl. No.: **29/135,835**

(22) Filed: **Jan. 12, 2001**

(30) **Foreign Application Priority Data**

Jul. 14, 2000 (XH) ..... DMA/005 024

(51) **LOC (7) Cl.** ..... **12-16**

(52) **U.S. Cl.** ..... **D12/180**

(58) **Field of Search** ..... D12/180; 188/24.11-24.13,  
188/209-211, 344, 218 XL, 71.5, 73.2;  
192/107 R, 70.16

(56) **References Cited**

**U.S. PATENT DOCUMENTS**

D413,093 S \* 8/1999 Johnson et al. .... D12/180  
D446,177 S \* 8/2001 Ueno ..... D12/180  
D446,756 S \* 8/2001 York ..... D12/180

\* cited by examiner

*Primary Examiner*—Melody N. Brown

(74) *Attorney, Agent, or Firm*—Sofer & Haroun, LLP

(57) **CLAIM**

The ornamental design for a disk for disk brake, as shown.

**DESCRIPTION**

FIG. 1 is a front elevational view of a disk for a disk brake showing my new design;

FIG. 2 is a rear elevational view of the disk for a disk brake as shown in FIG. 1;

FIG. 3 is a left vertical elevational view of the disk for a disk brake as shown in FIG. 1;

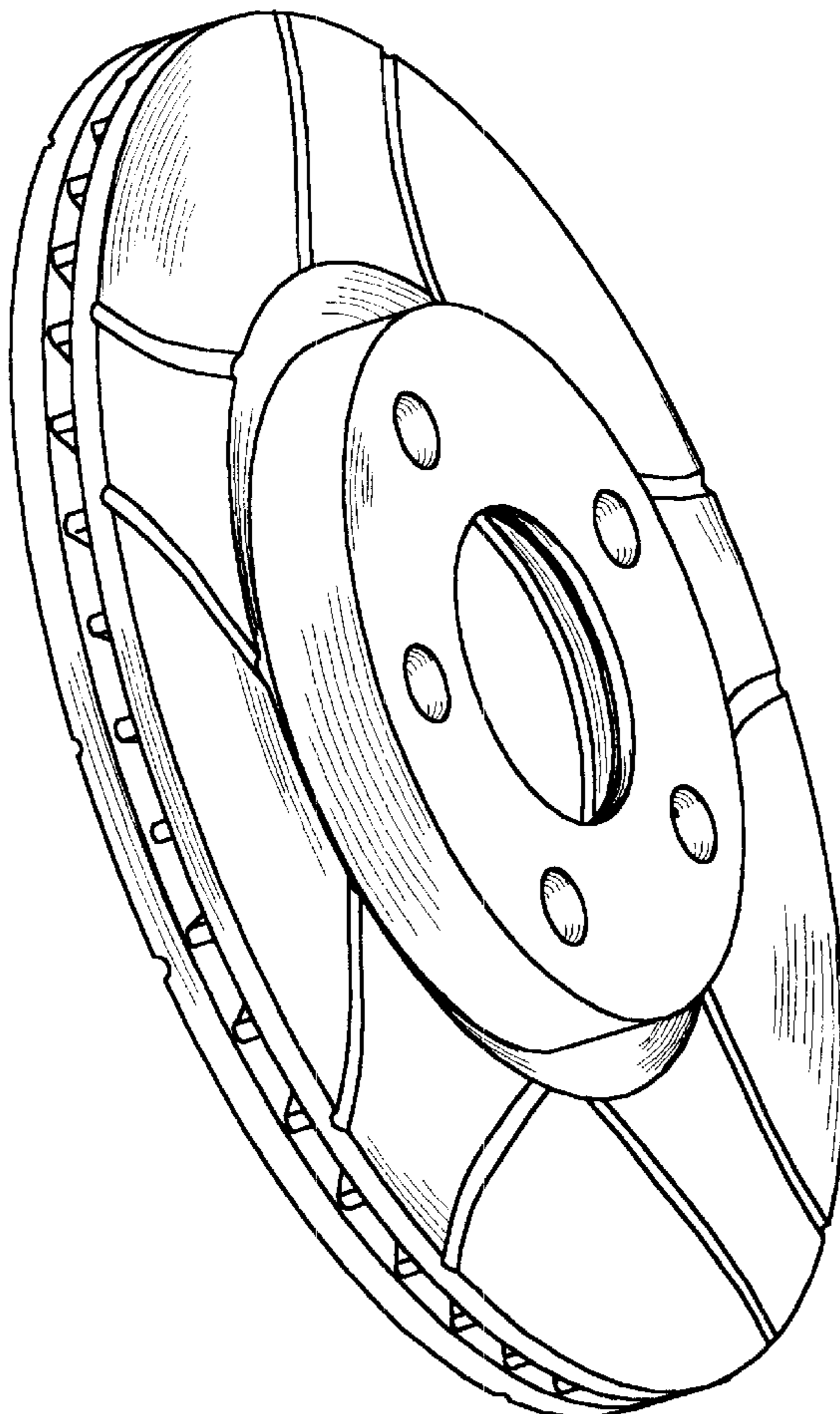
FIG. 4 is a right vertical elevational view of the disk for a disk brake as shown in FIG. 1;

FIG. 5 is a left horizontal elevational view of the disk for a disk brake as shown in FIG. 1;

FIG. 6 is a right horizontal elevational view of the disk for a disk brake as shown in FIG. 1; and,

FIG. 7 is a perspective view of the disk for a disk brake as shown in FIG. 1.

**1 Claim, 5 Drawing Sheets**



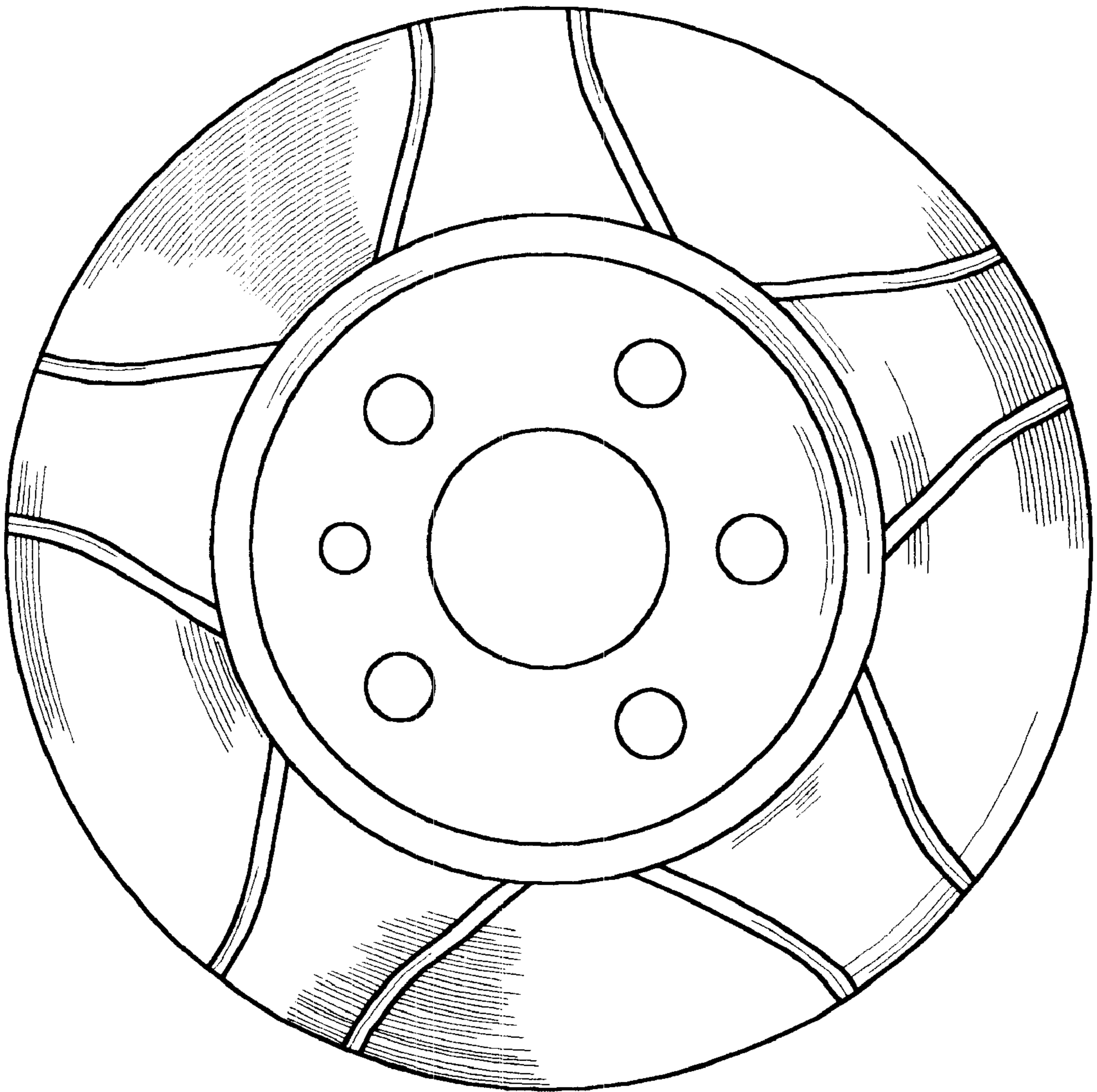


FIG. 1

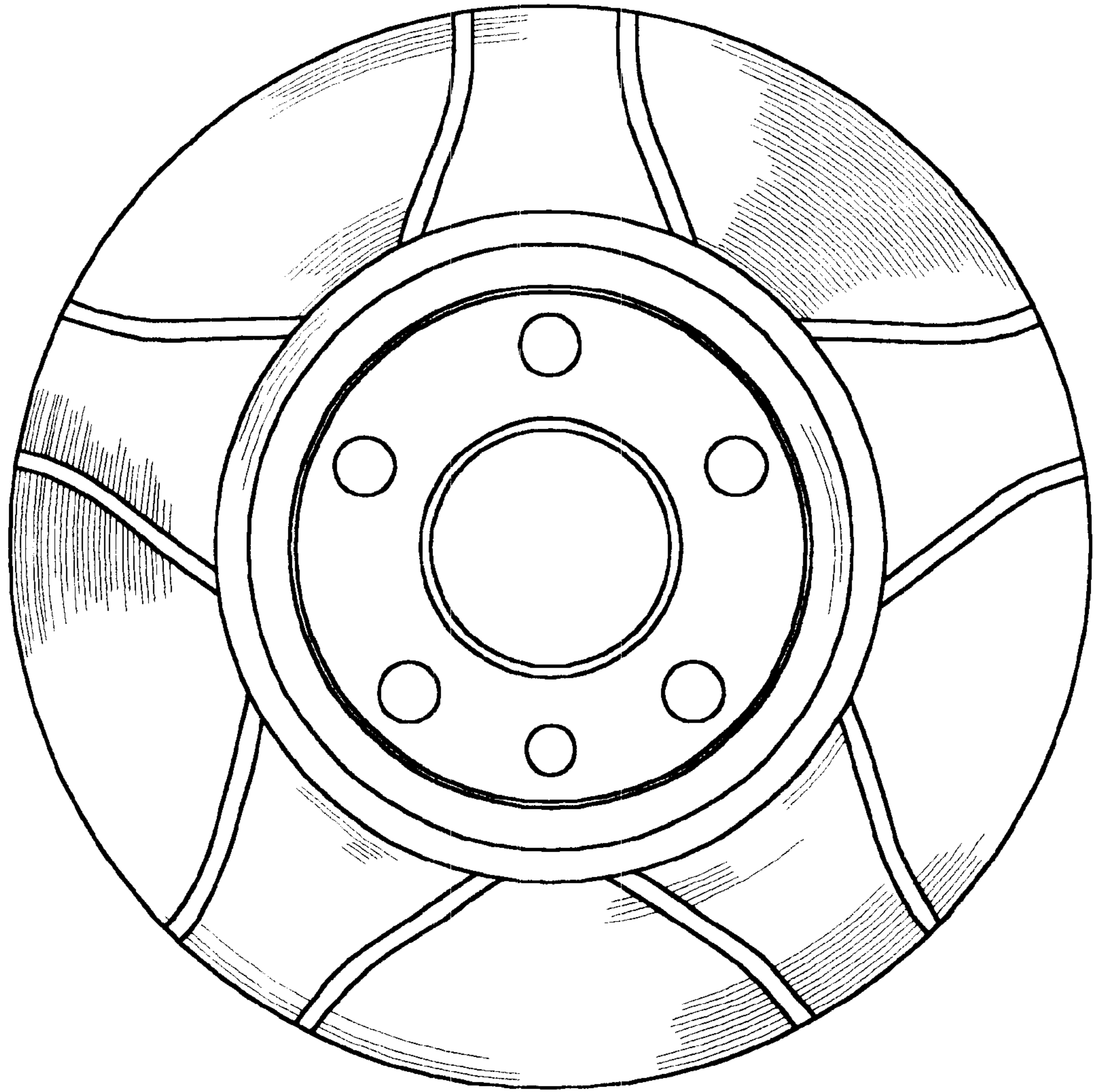


FIG. 2

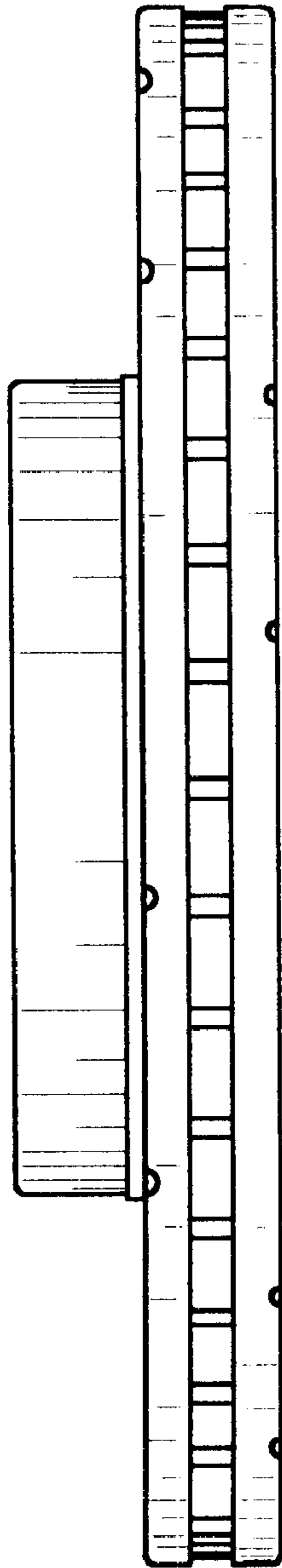


FIG. 3

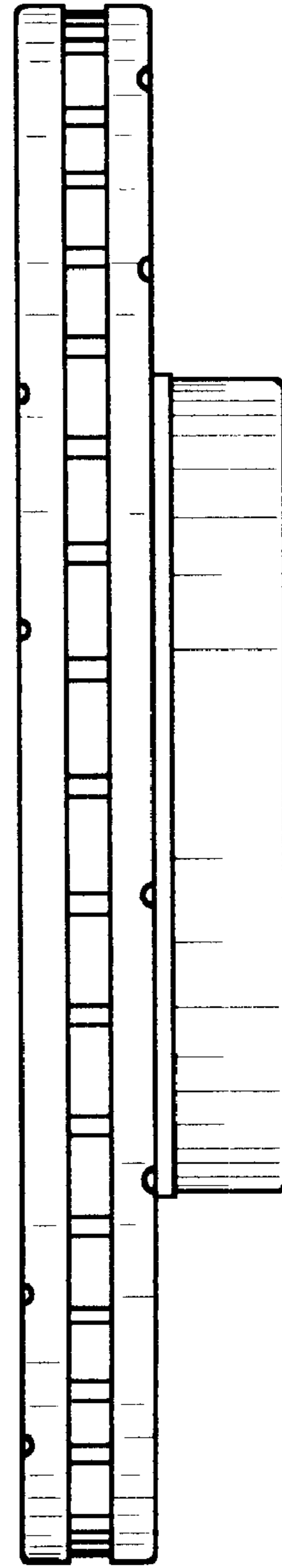


FIG. 4

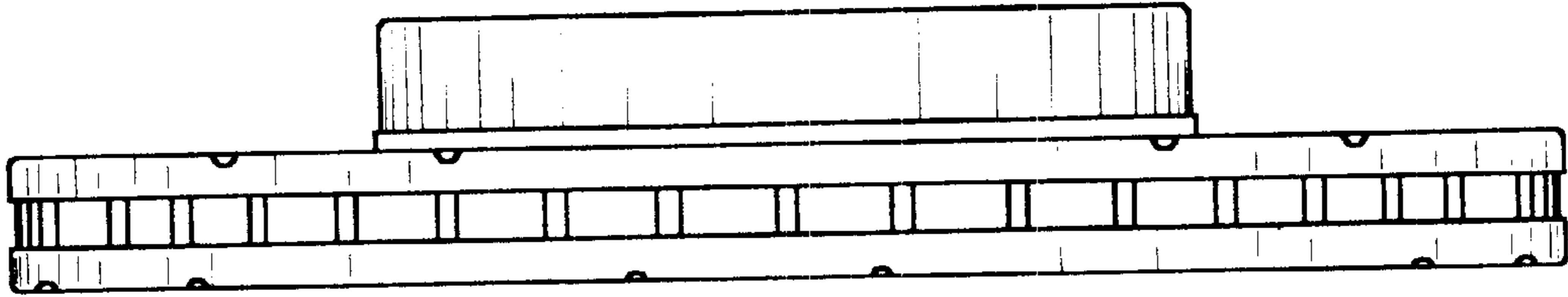


FIG. 5

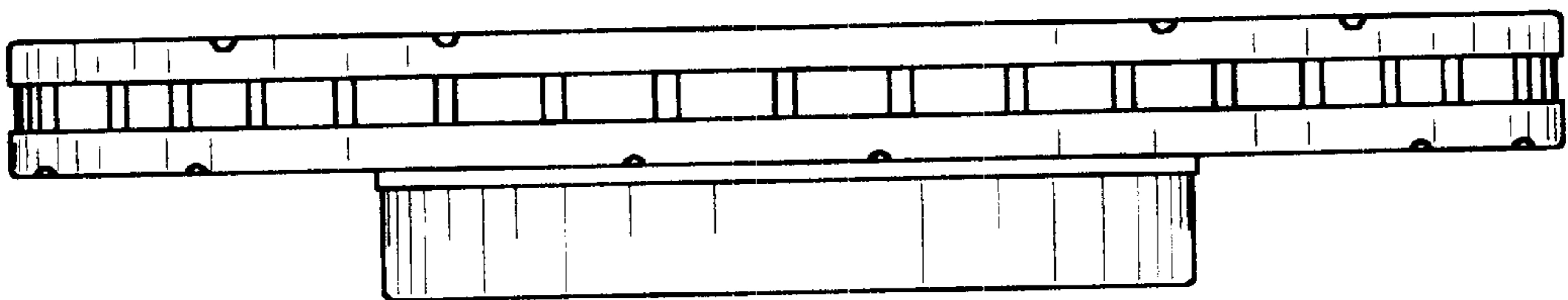


FIG. 6

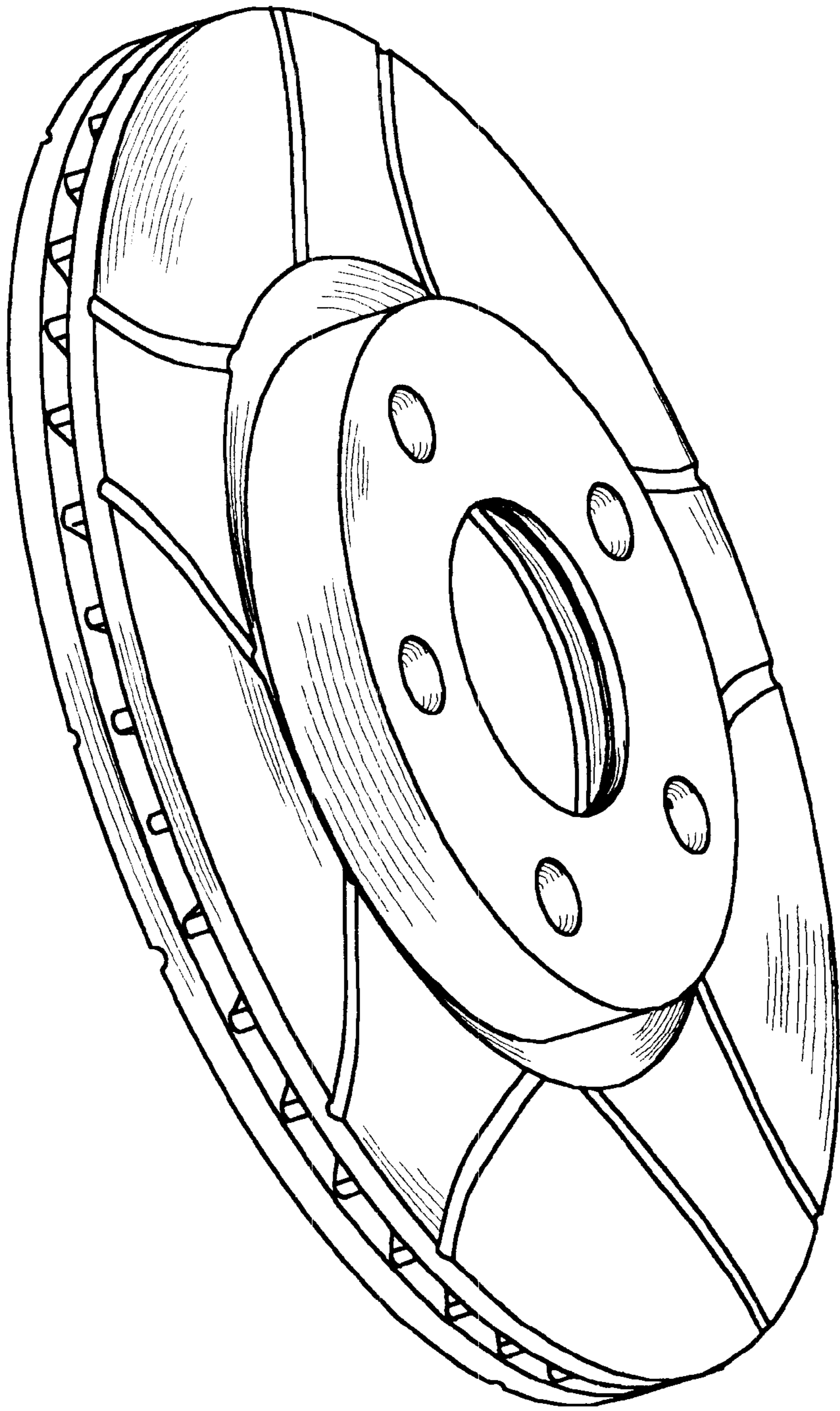


FIG. 7