



US00D458197S

(12) **United States Design Patent**  
**Maher et al.**

(10) **Patent No.:** **US D458,197 S**

(45) **Date of Patent:** **\*\* Jun. 4, 2002**

(54) **HOOD OF A TRUCK VEHICLE**

(75) Inventors: **David Lawrence Maher**, Fort Wayne;  
**Kris Kent Timmermann**, Hometown;  
**Robert McKee Zimmerman**,  
Kendallville; **Larry Reynard**; **Marcey**  
**Kristine Collins**, both of Fort Wayne,  
all of IN (US)

(73) Assignee: **International Truck Intellectual**  
**Property Company, L.L.C.**,  
Warrenville, IL (US)

(\*\*) Term: **14 Years**

(21) Appl. No.: **29/147,700**

(22) Filed: **Aug. 30, 2001**

(51) **LOC (7) Cl.** ..... **12-16**

(52) **U.S. Cl.** ..... **D12/173**

(58) **Field of Search** ..... D12/173, 96, 97;  
296/180.1, 180.2, 190, 89.12, 89.13; 180/69.2,  
89.1

(56) **References Cited**

**U.S. PATENT DOCUMENTS**

D306,421 S	3/1990	Allendorph et al.
D306,714 S	3/1990	Allendorph
D307,126 S	4/1990	Allendorph et al.
D328,273 S	7/1992	McGrew, Jr. et al.

D335,272 S	5/1993	Allendorph et al.
D391,908 S	3/1998	Allendorph et al.
D394,624 S	5/1998	Allendorph et al.
D401,198 S	11/1998	Mueller et al.
D403,285 S	12/1998	Abalos et al.
D403,620 S	1/1999	Abalos et al.
D403,637 S	1/1999	Abalos et al.
D445,384 S	7/2001	Tirey et al.
D450,277 S	* 11/2001	Orropa et al. .... D12/173

\* cited by examiner

*Primary Examiner*—Melody N. Brown

(74) *Attorney, Agent, or Firm*—Jeffrey P. Calfa; Neil T. Powell; Dennis Kelly Sullivan

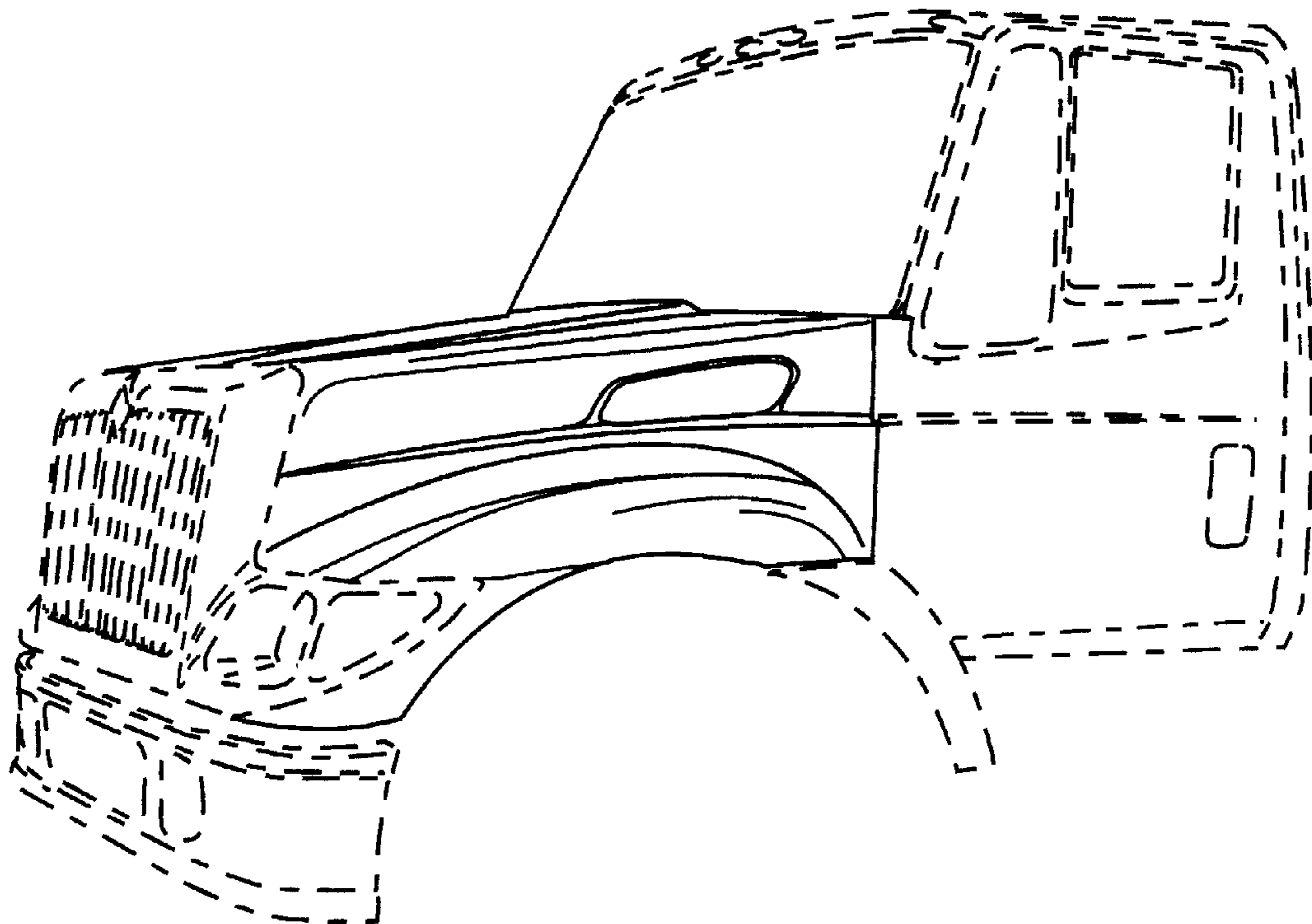
(57) **CLAIM**

The ornamental design for a hood of a truck vehicle, as shown and described.

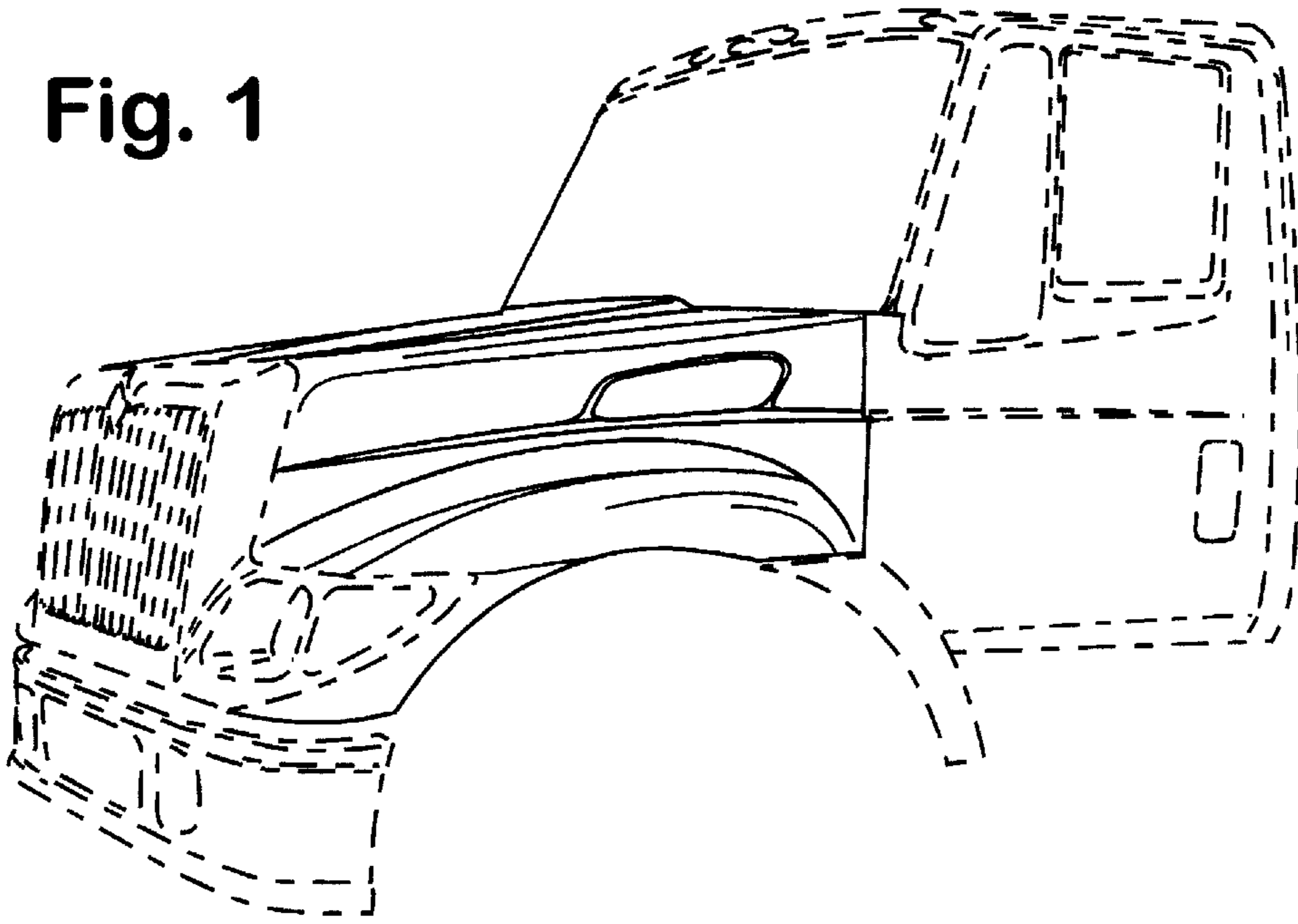
**DESCRIPTION**

FIG. 1 is a left, front perspective view of hood of a truck showing our new design shown installed on a truck, it may be understood that the broken lines are for illustrative purposes only and form no part of the claimed design; FIG. 2 is a top plan view thereof; FIG. 3 is a rear view thereof; FIG. 4 is a front view thereof; FIG. 5 is a right side view thereof; and, FIG. 6 is a left side view thereof.

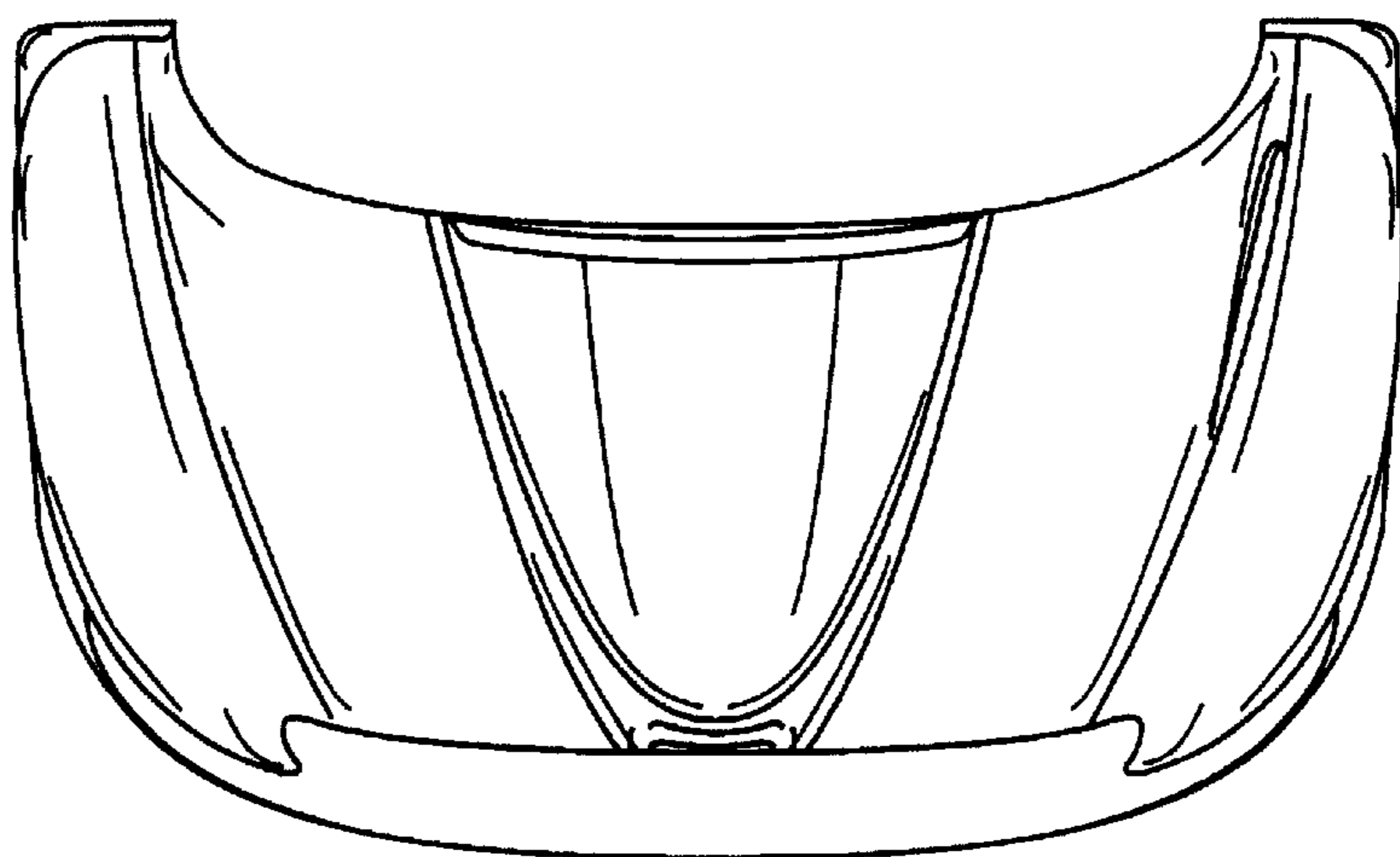
**1 Claim, 3 Drawing Sheets**

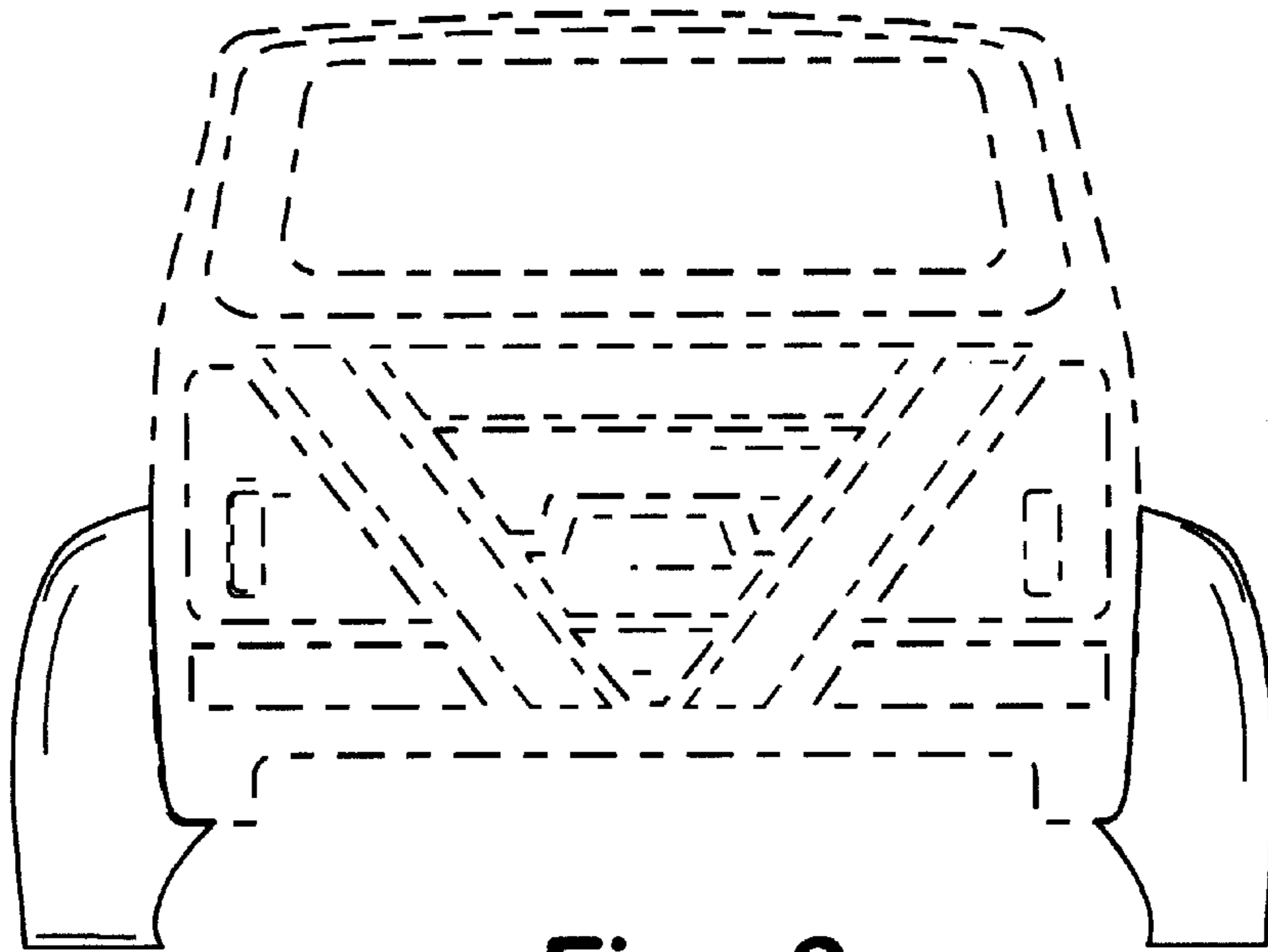


**Fig. 1**

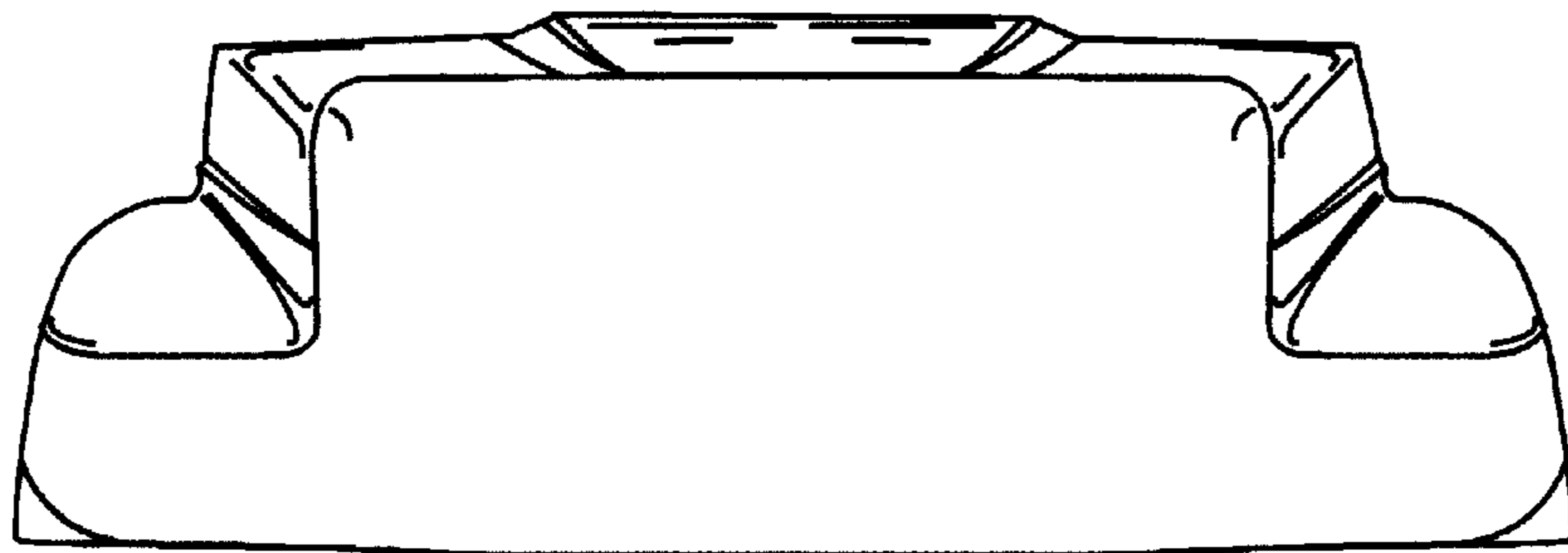


**Fig. 2**



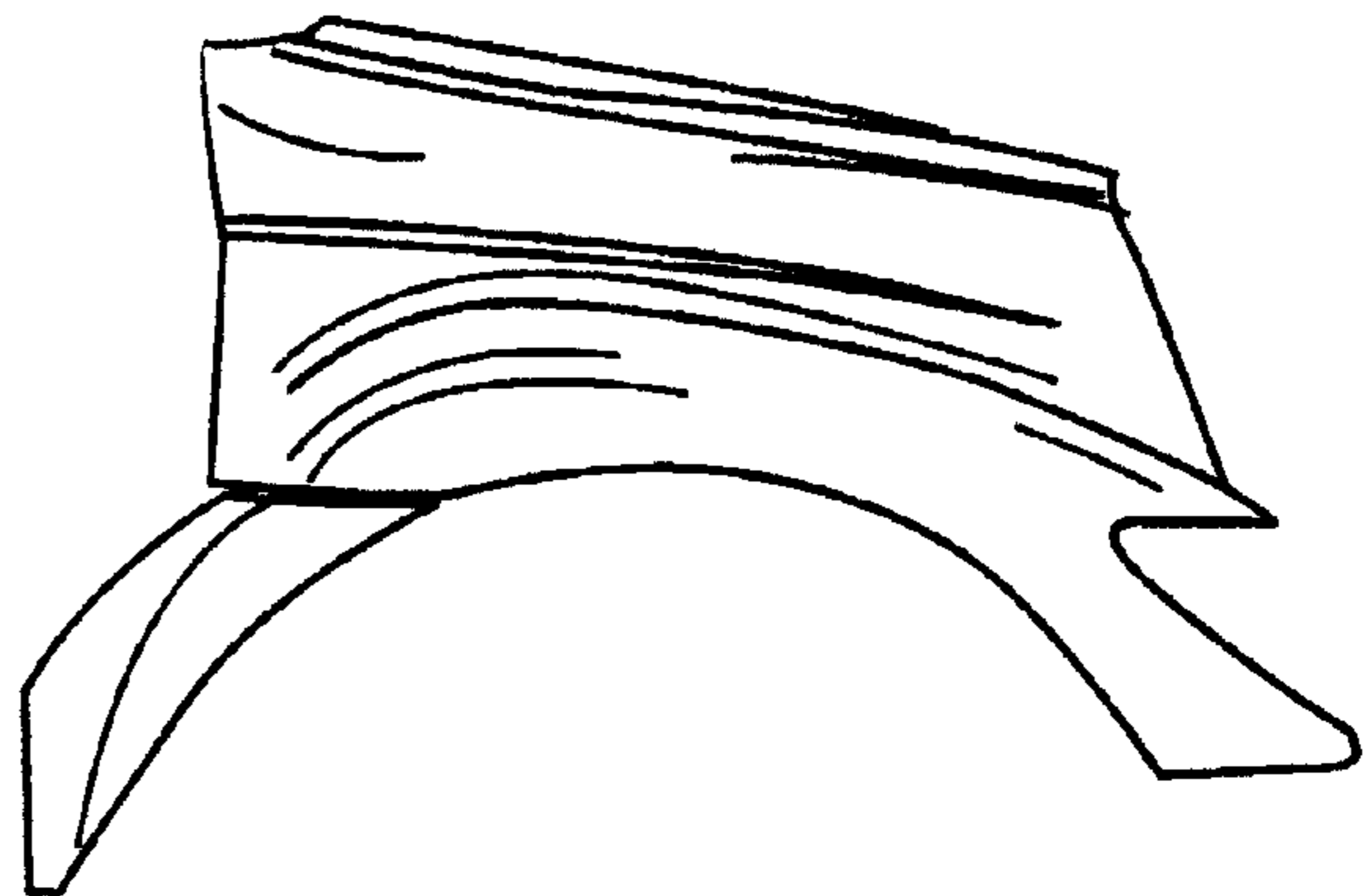
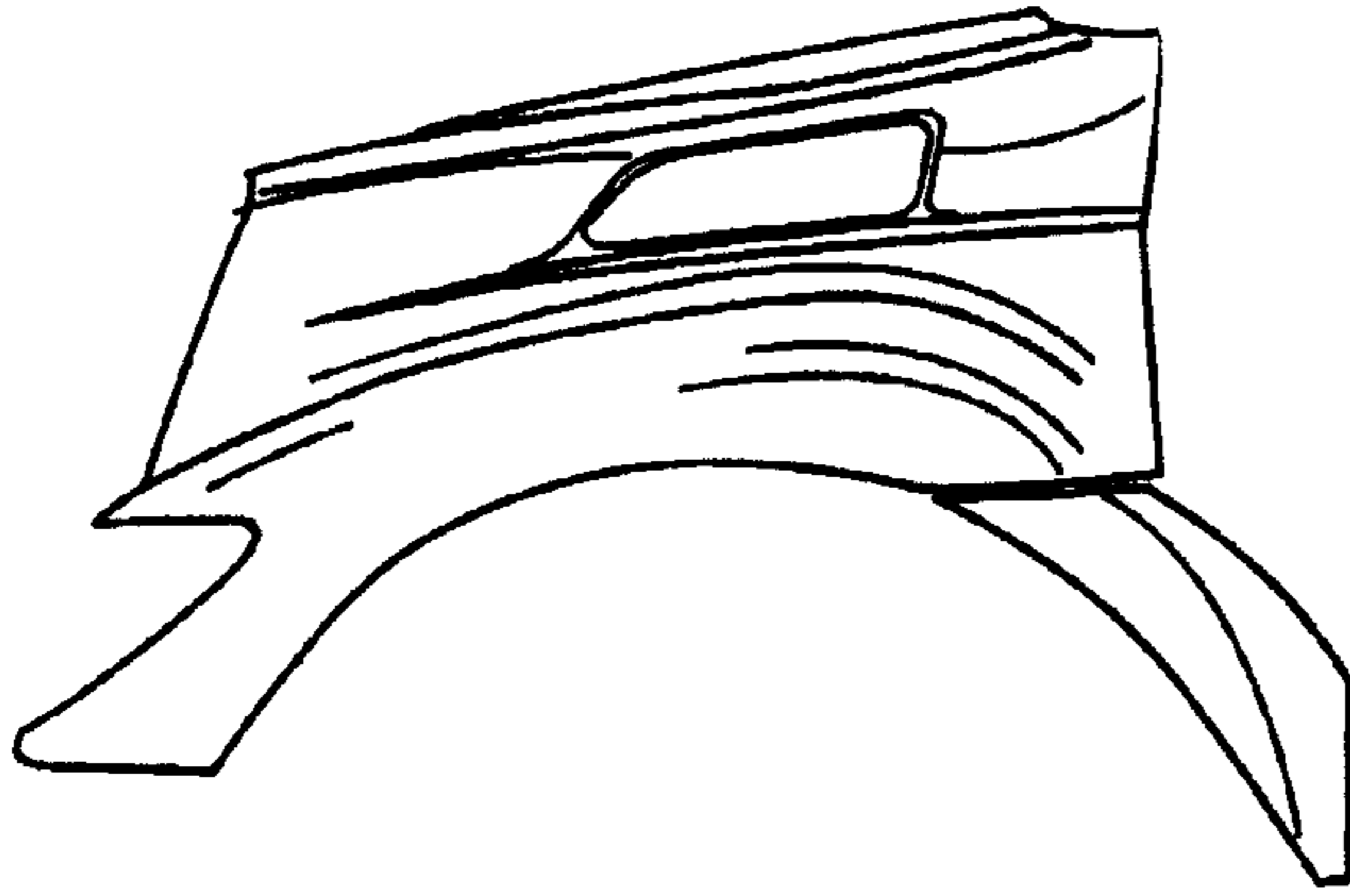


**Fig. 3**



**Fig. 4**

**FIG. 6**



**FIG. 5**