



US00D458196S

(12) **United States Design Patent**
McCoy et al.

(10) **Patent No.:** **US D458,196 S**

(45) **Date of Patent:** **** Jun. 4, 2002**

(54) **TWO-INTO-ONE HITCH ADAPTOR**

(75) Inventors: **Richard W. McCoy**, Granger; **Thomas W. Lindenman**, South Bend, both of IN (US)

(73) Assignee: **Reese Products, Inc.**, Elkhart, IN (US)

(**) Term: **14 Years**

(21) Appl. No.: **29/148,867**

(22) Filed: **Sep. 28, 2001**

(51) **LOC (7) Cl.** **12-16**

(52) **U.S. Cl.** **D12/162**

(58) **Field of Search** D12/162, 400;
280/402, 415.1, 416.1, 482, 490.1, 493,
495, 491.1-491.49, 500-501, 505, 511;
296/26.08

(56) **References Cited**

U.S. PATENT DOCUMENTS

D341,117 S * 11/1993 Sundstedt D12/162
D373,557 S * 9/1996 Shaw et al. D12/162

D379,343 S * 5/1997 Shaw et al. D12/162
D433,357 S * 11/2000 McCoy et al. D12/162
D434,708 S * 12/2000 McCoy et al. D12/162
D445,382 S * 7/2001 Lindenman et al. D12/162
D445,738 S * 7/2001 Lindenman et al. D12/162

* cited by examiner

Primary Examiner—Stacia Cadmus

(74) *Attorney, Agent, or Firm*—King & Schickli, PLLC

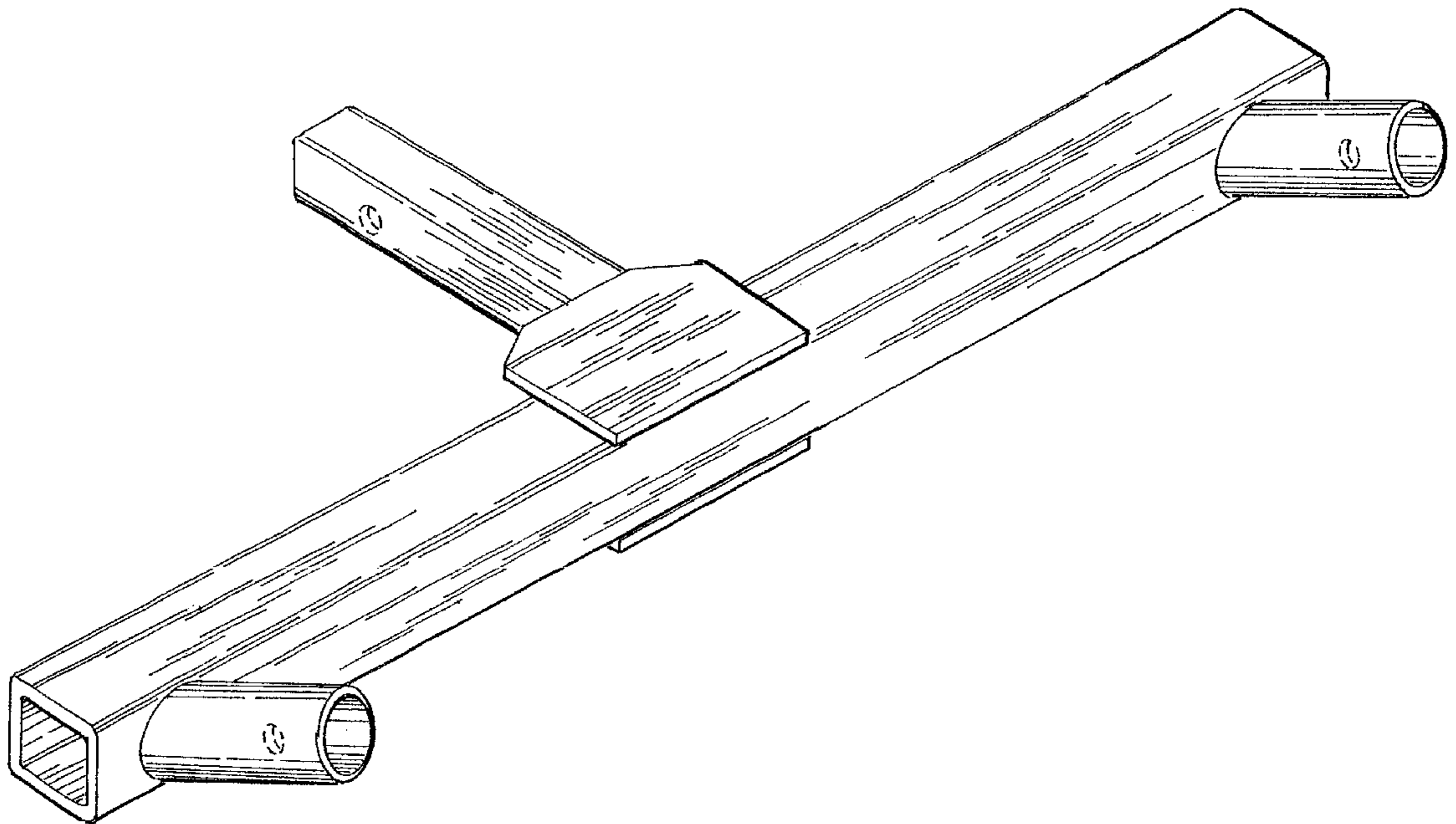
(57) **CLAIM**

The ornamental design of a two-into-one hitch adaptor, as shown and described.

DESCRIPTION

FIG. 1 is a perspective view of the two-into-one hitch adaptor of the present invention;
FIG. 2 is a front elevational view thereof;
FIG. 3 is a left side elevational view, the right side being a mirror image thereof;
FIG. 4 is a rear elevational view thereof;
FIG. 5 is a top plan view thereof; and,
FIG. 6 is a bottom plan view thereof.

1 Claim, 3 Drawing Sheets



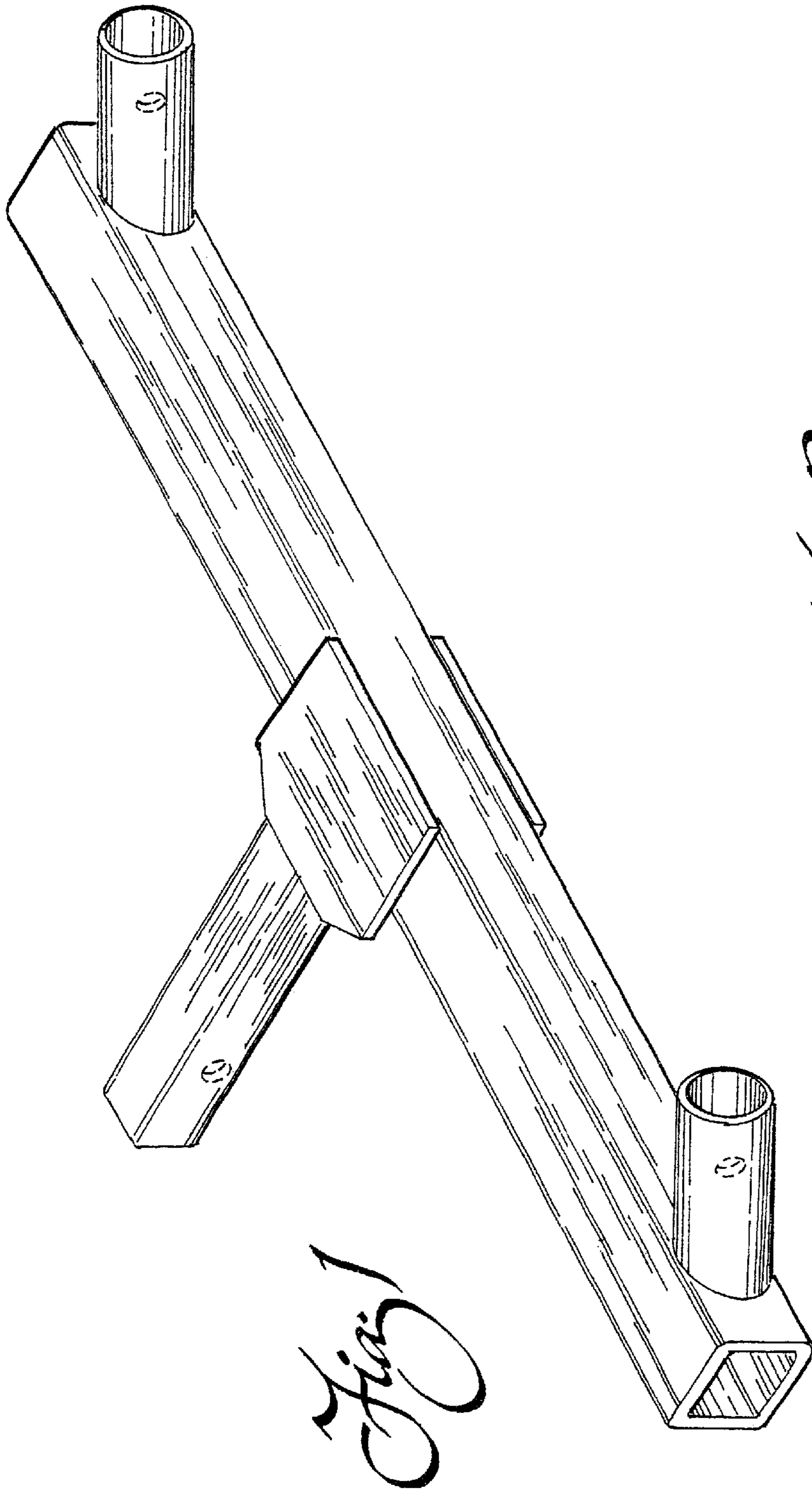
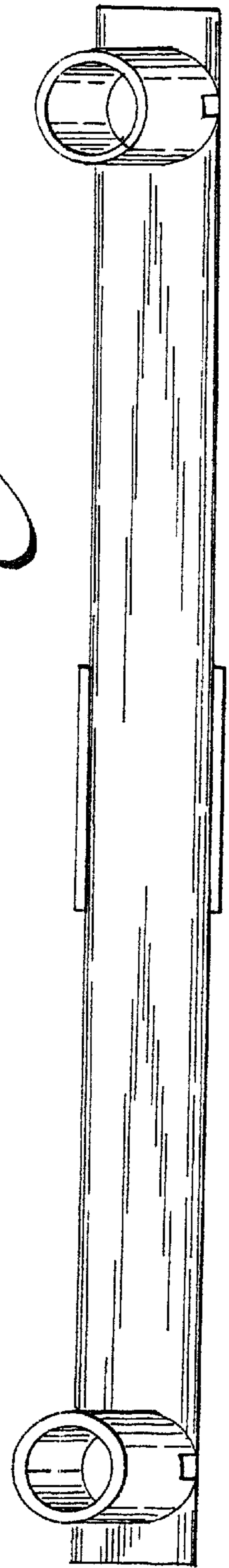


Fig. 2



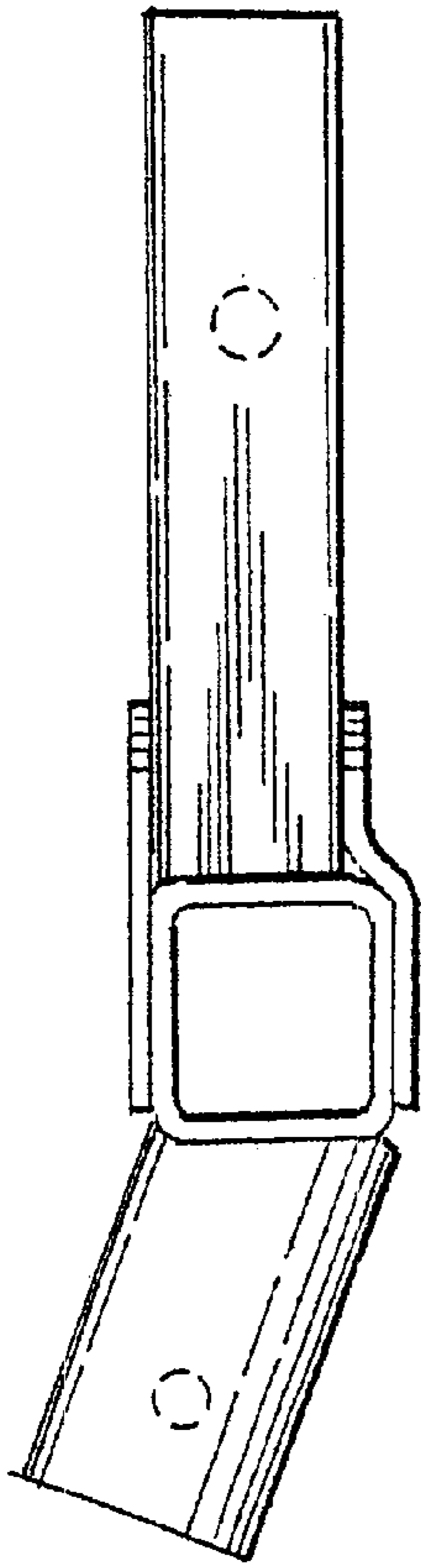
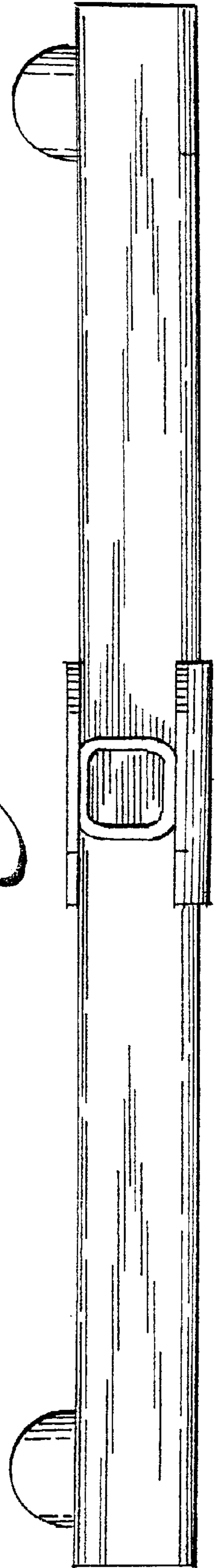


Fig. 3

Fig. 4



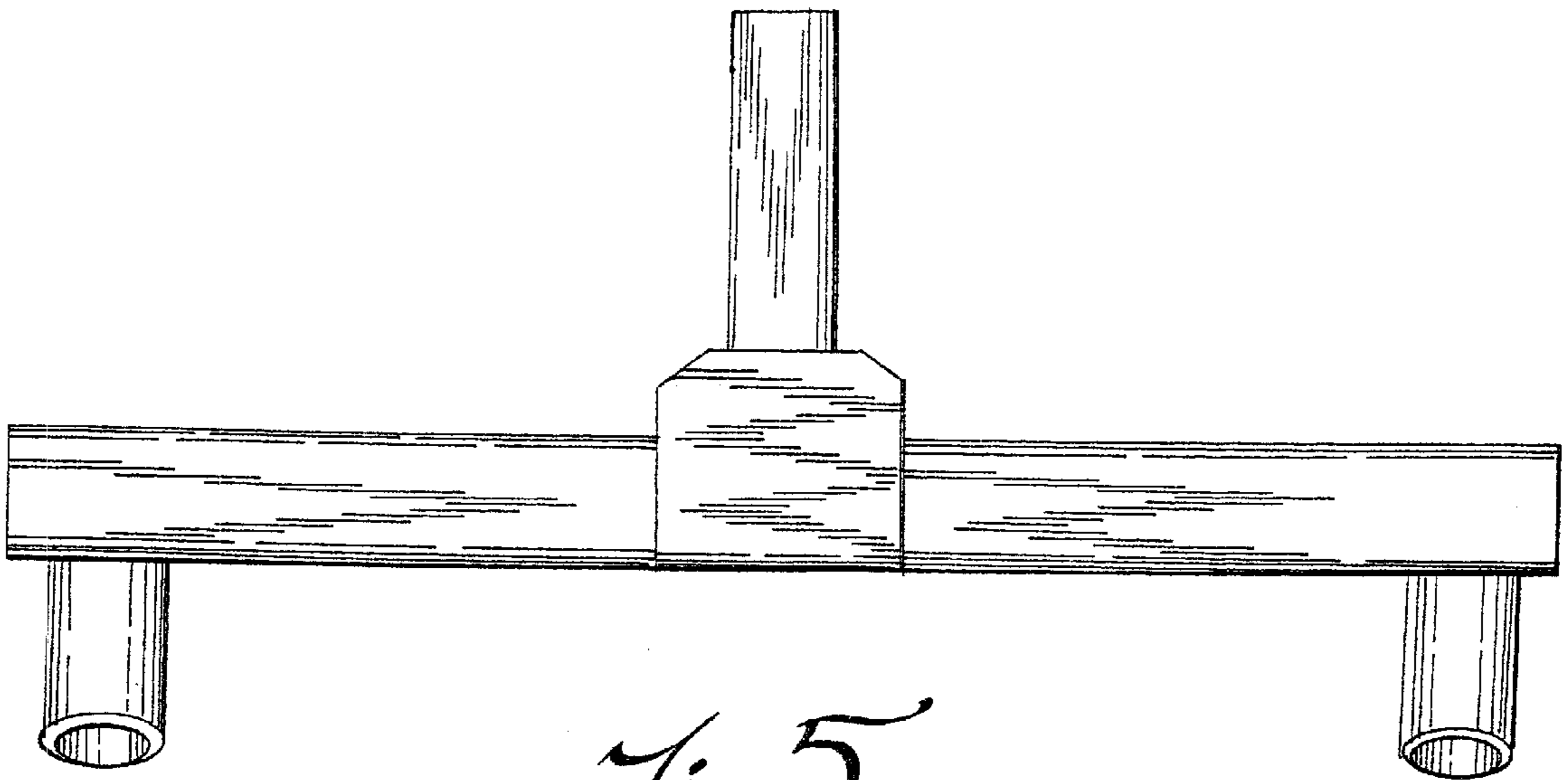


Fig 5

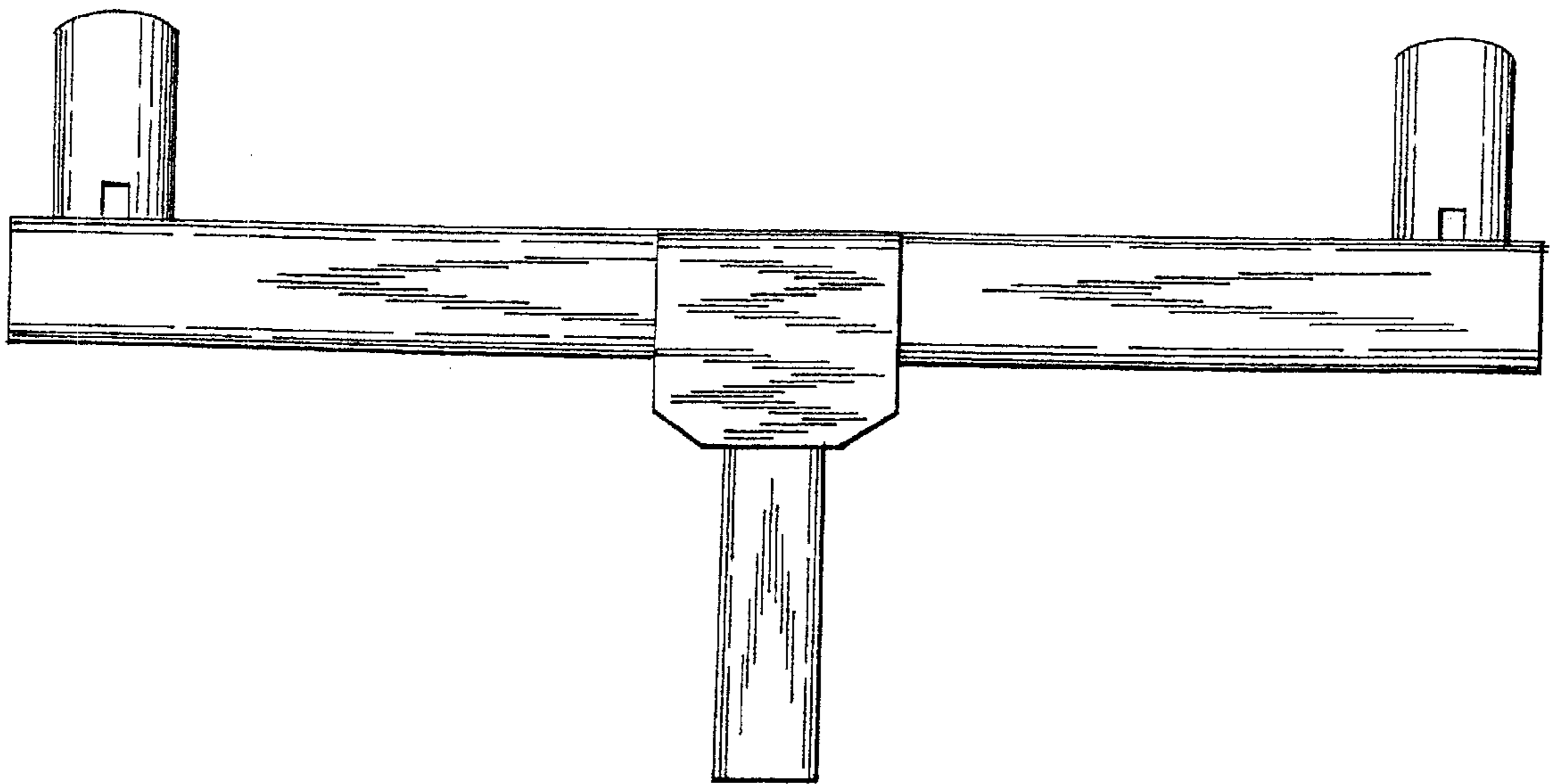


Fig 6