



US00D458195S

(12) **United States Design Patent**
Beauvais

(10) **Patent No.:** **US D458,195 S**
(45) **Date of Patent:** **** Jun. 4, 2002**

(54) **TRAILER HITCH COVER**

(76) **Inventor:** **Donald K. Beauvais**, 5801 Gilbert Dr.,
Shreveport, LA (US) 71106

(**) **Term:** **14 Years**

(21) **Appl. No.:** **29/125,538**

(22) **Filed:** **Jun. 23, 2000**

Related U.S. Application Data

(62) Division of application No. 29/113,659, filed on Nov. 9,
1999, now Pat. No. Des. 430,519.

(51) **LOC (7) Cl.** **12-16**

(52) **U.S. Cl.** **D12/162**

(58) **Field of Search** D12/162, 400;
D26/24, 28-36, 138-139, 38; 280/495,
504, 507, 511, 506; 293/122; 138/89-89.4;
362/806, 505-506, 459-460, 484-487,
495-499, 418-419, 275

(56) **References Cited**

U.S. PATENT DOCUMENTS

- D50,930 S * 6/1917 Becker D26/28
- 3,782,761 A 1/1974 Cardin, Sr. 280/507
- 4,800,471 A 1/1989 Lippert 362/80
- D361,147 S * 8/1995 Wedell et al. D26/63
- D368,059 S * 3/1996 Barth D12/162

- 5,603,178 A 2/1997 Morrison 40/591
- D405,744 S * 2/1999 Young et al. D12/162
- D415,457 S * 10/1999 Young et al. D12/162
- D419,505 S * 1/2000 Deerman D12/162
- D430,519 S * 9/2000 Beauvais D12/162

OTHER PUBLICATIONS

JC Whitney Catalog, p. 81, see "Trailer Hitch Light".*

* cited by examiner

Primary Examiner—Stacia Cadmus

(74) *Attorney, Agent, or Firm*—Jones, Walker, Waechter,
Poitevent, Carrere & Denegre, L.L.P.

(57) **CLAIM**

The ornamental design for a trailer hitch cover, as shown and
described.

DESCRIPTION

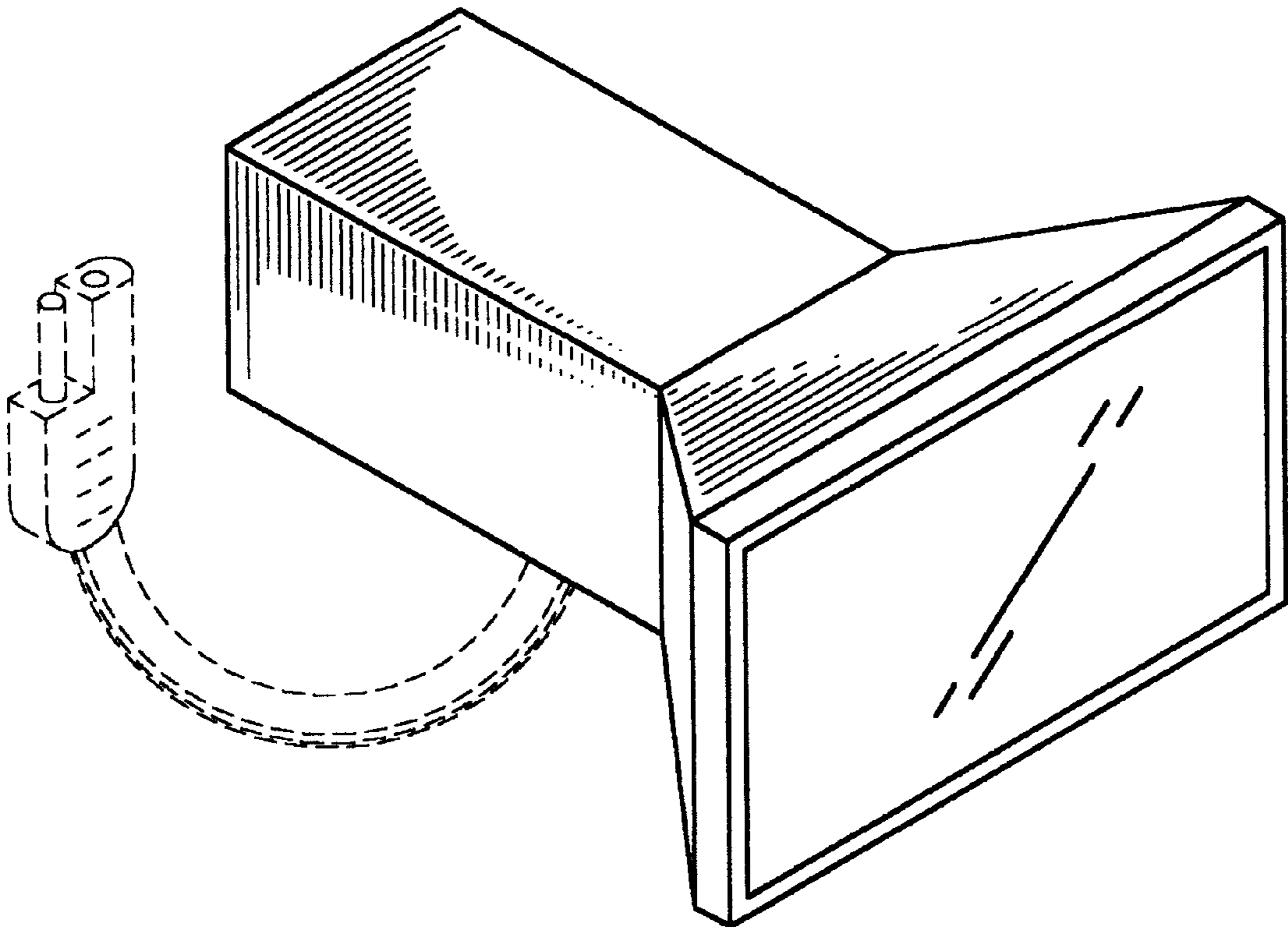
FIG. 1 is a front perspective view of a trailer hitch cover,
showing my new design; and,

FIG. 2 is a rear perspective view thereof.

The surface(s) or portion(s) of the article not shown in the
drawing or described in the specification form(s) no part of
the claimed design.

The broken line showing of environment is for illustrative
purposes only and forms no part of the claimed design.

1 Claim, 1 Drawing Sheet



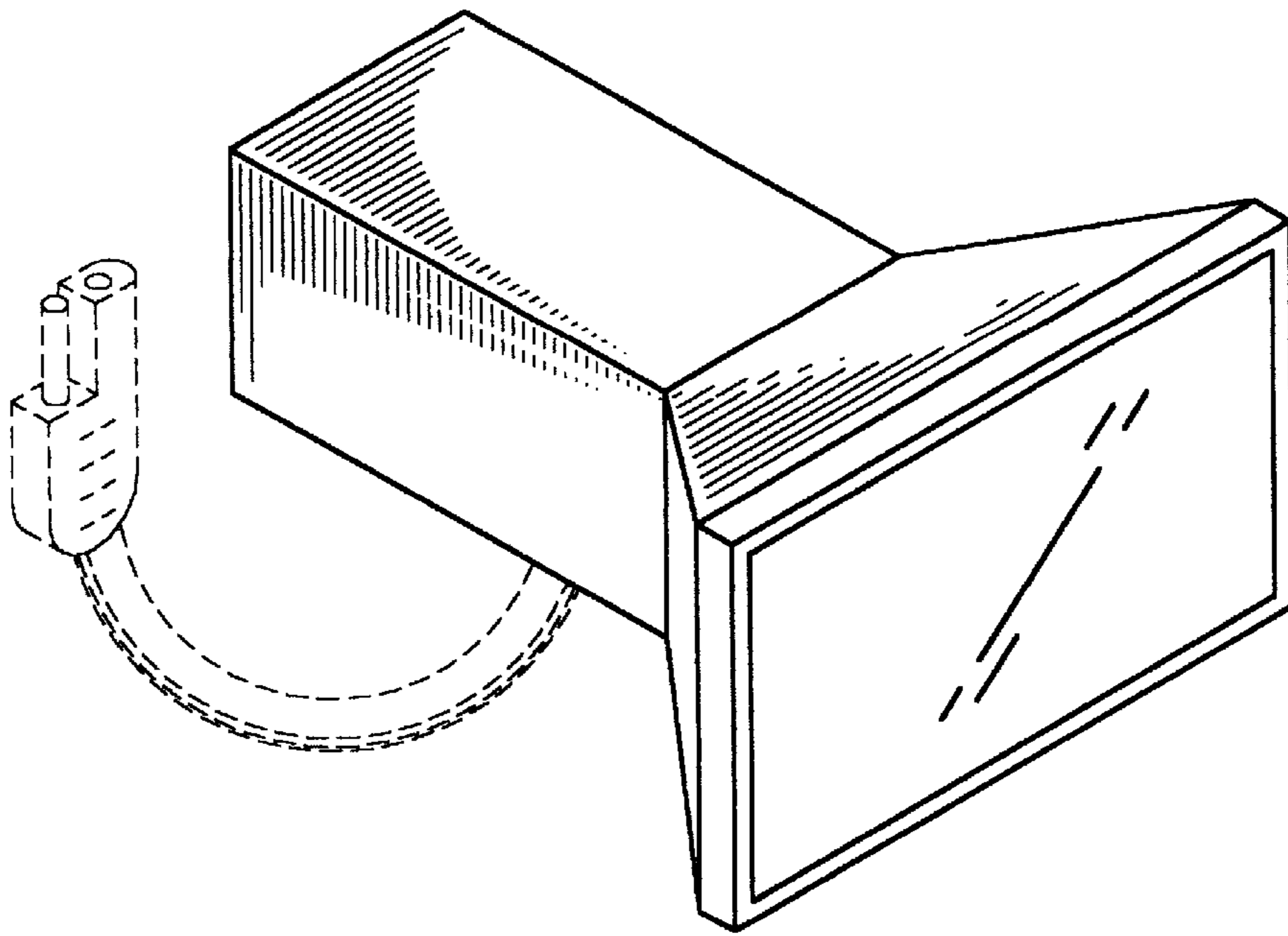


FIGURE 1

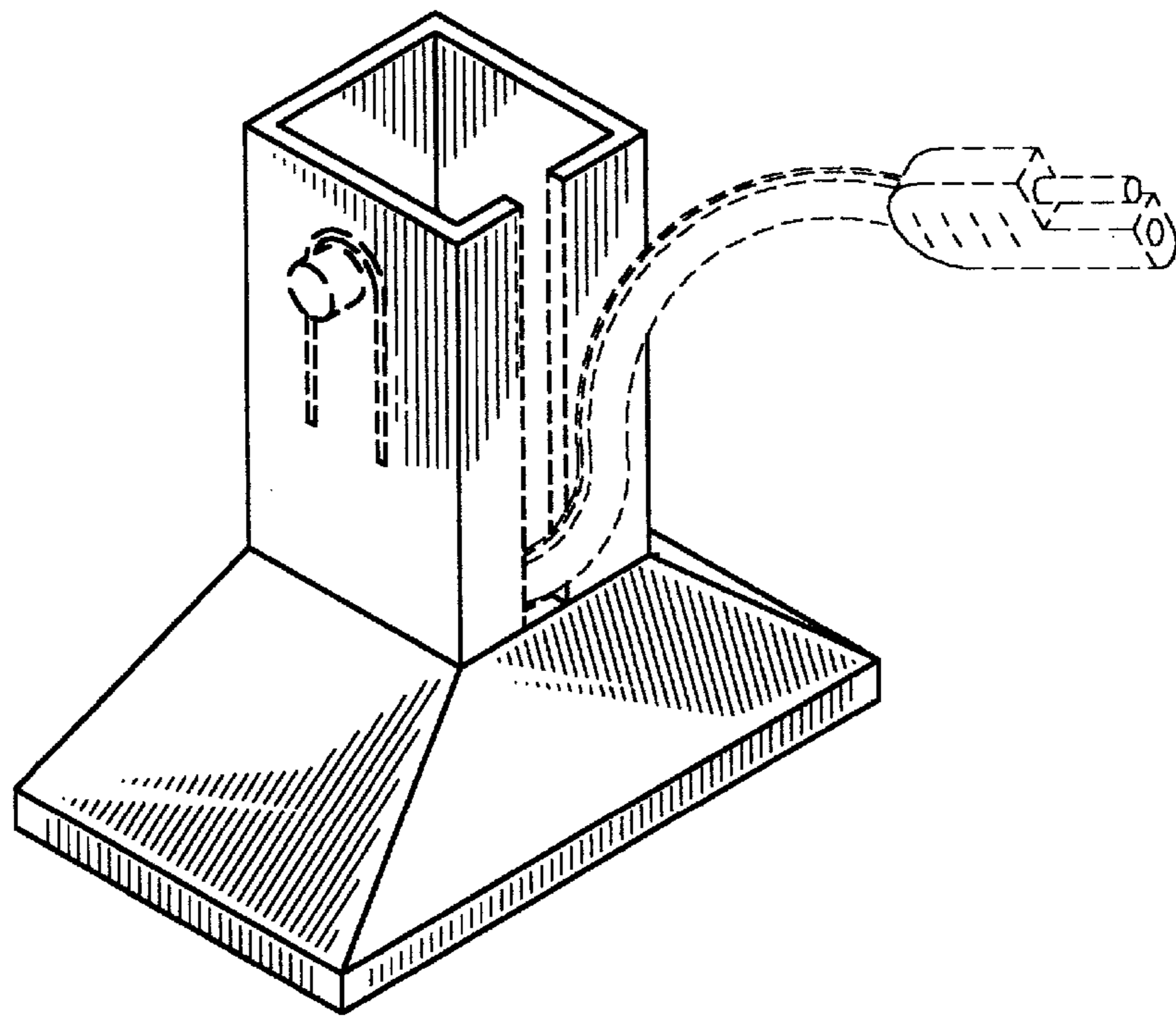


FIGURE 2