



US00D458192S

(12) **United States Design Patent**
Lund

(10) **Patent No.:** **US D458,192 S**

(45) **Date of Patent:** **** Jun. 4, 2002**

(54) **MOTORCYCLE RADIO HOUSING**

(76) **Inventor:** **Eric E. Lund**, 1530 Frances St.,
Appleton, WI (US) 54915

(**) **Term:** **14 Years**

(21) **Appl. No.:** **29/145,103**

(22) **Filed:** **Jul. 17, 2001**

(51) **LOC (7) Cl.** **12-11**

(52) **U.S. Cl.** **D12/114**

(58) **Field of Search** D12/110, 114,
D12/192, 415, 422; D14/157; 296/37.5,
37.6; 312/7.1; 455/345; 280/288.4; 180/219,
90; 224/412, 413, 419, 420, 424, 425, 924

(56) **References Cited**

U.S. PATENT DOCUMENTS

D240,295 S * 6/1976 Dixson D12/114

D242,997 S * 1/1977 Dixson D12/114

D257,967 S * 1/1981 Hoese D12/114

* cited by examiner

Primary Examiner—Alan P. Douglas

Assistant Examiner—Linda Brooks

(74) *Attorney, Agent, or Firm*—Donald W. Margolis

(57) **CLAIM**

The ornamental design for a motorcycle radio housing, as shown and described.

DESCRIPTION

FIG. 1 is a top right side perspective view of a motorcycle radio housing showing my new design;

FIG. 2 is a front elevational view

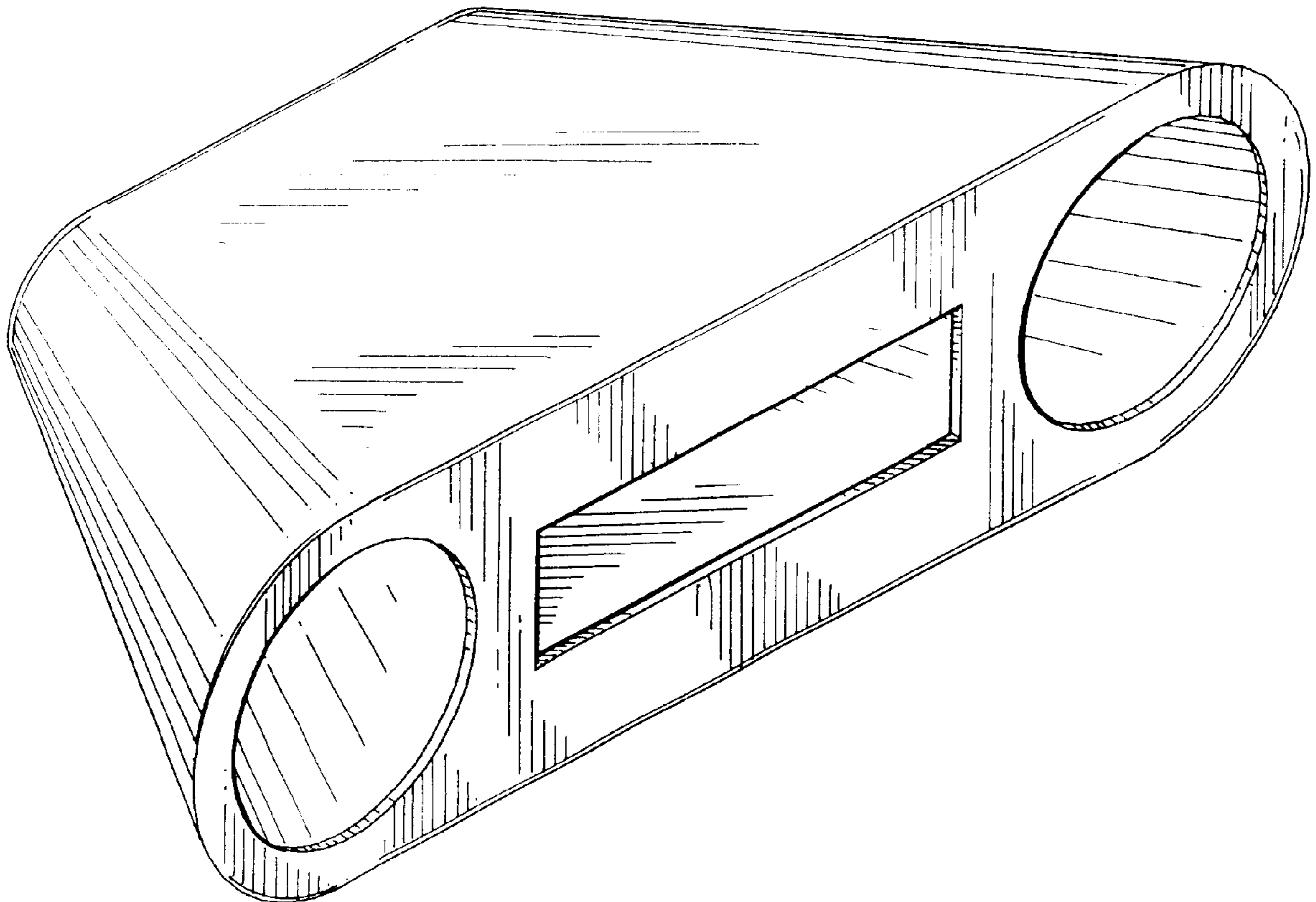
FIG. 3 is a rear elevational view thereof, the slots and circles showing possible connection mechanisms, being for illustrated purposes only and forming no part of the claimed design;

FIG. 4 is a bottom plan view thereof, the slots and circles showing possible connection mechanisms, being for illustrated purposes only and forming no part of the claimed design;

FIG. 5 is a top plan view thereof; and,

FIG. 6 is a right side elevational view thereof, the left side elevational view being a mirror image of the same.

1 Claim, 2 Drawing Sheets



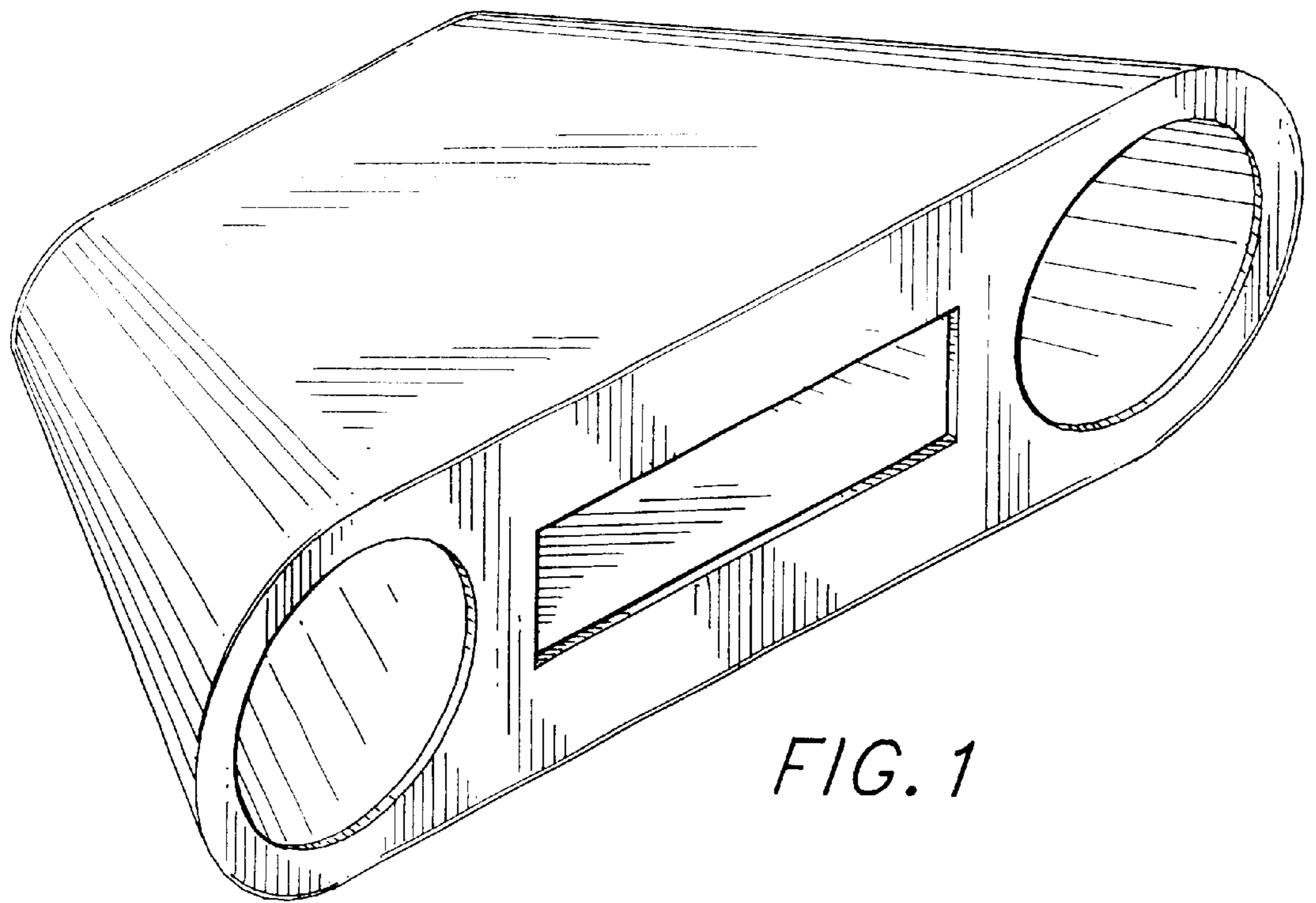


FIG. 1

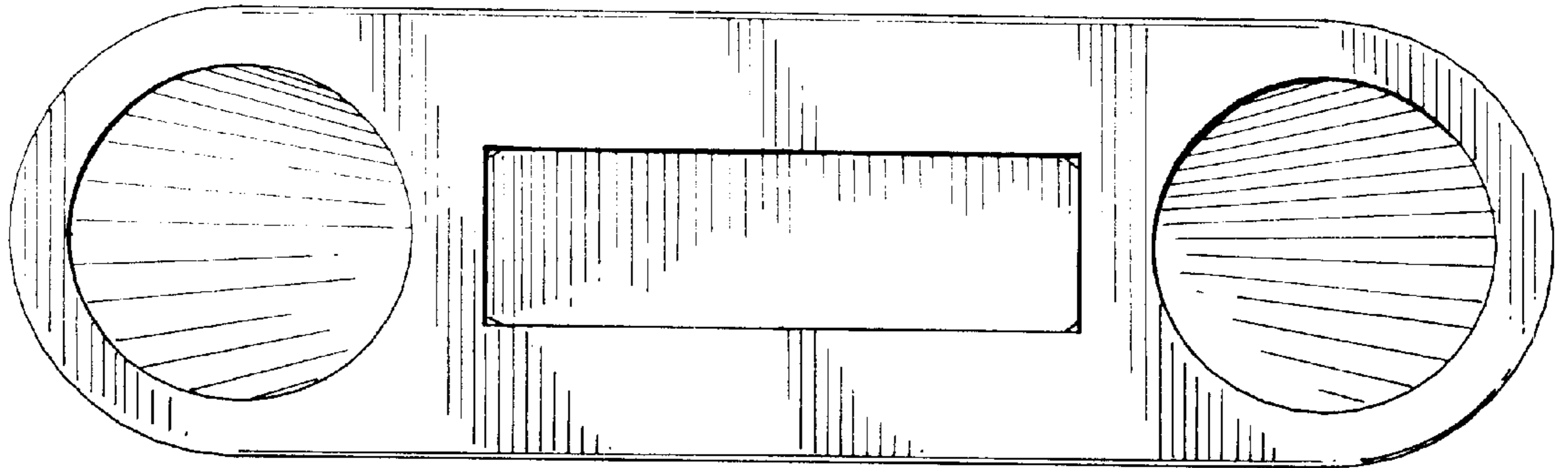


FIG. 2

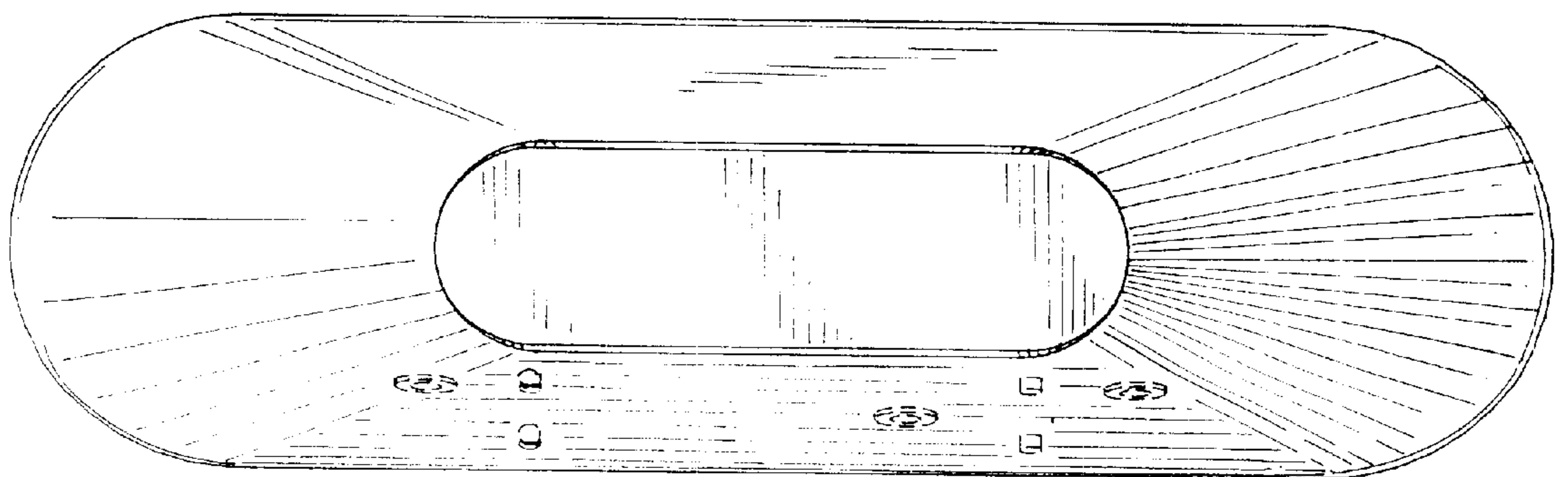


FIG. 3

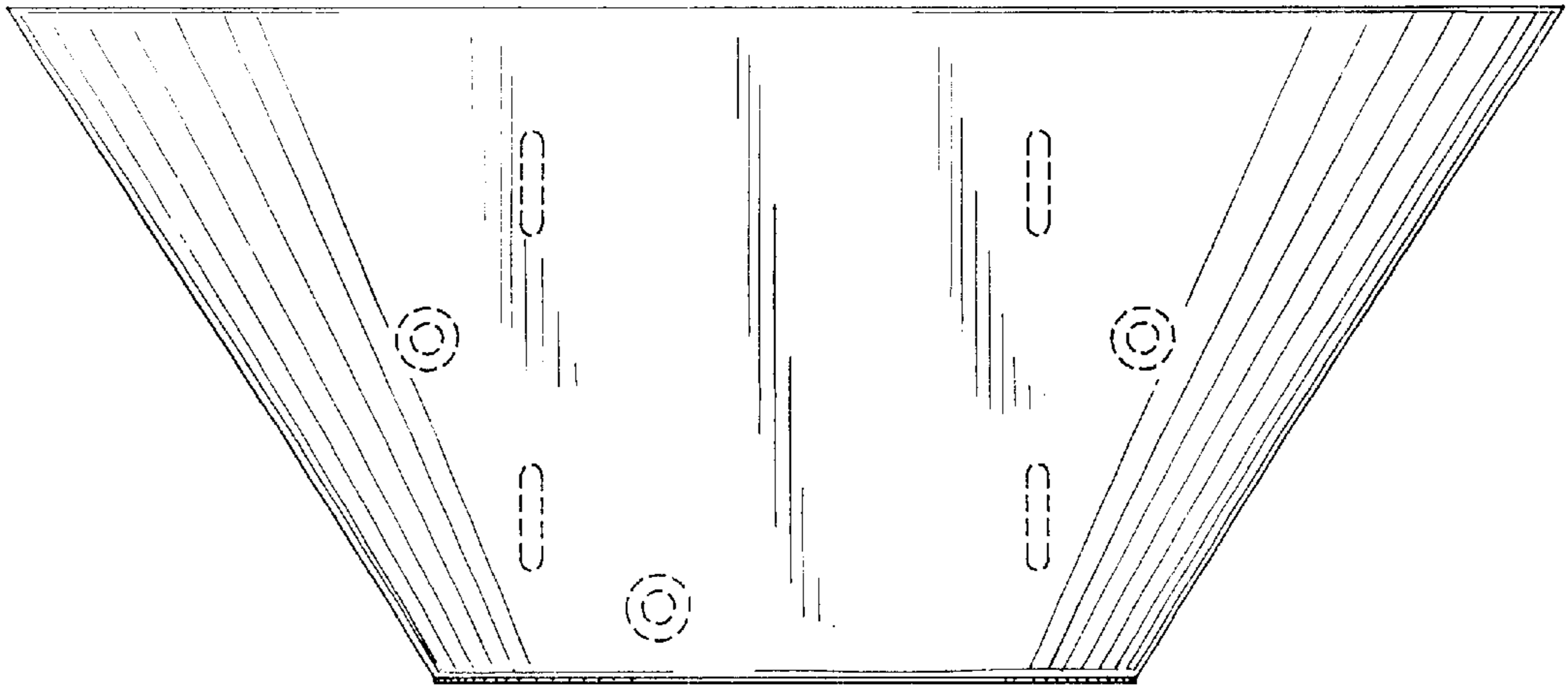


FIG. 4

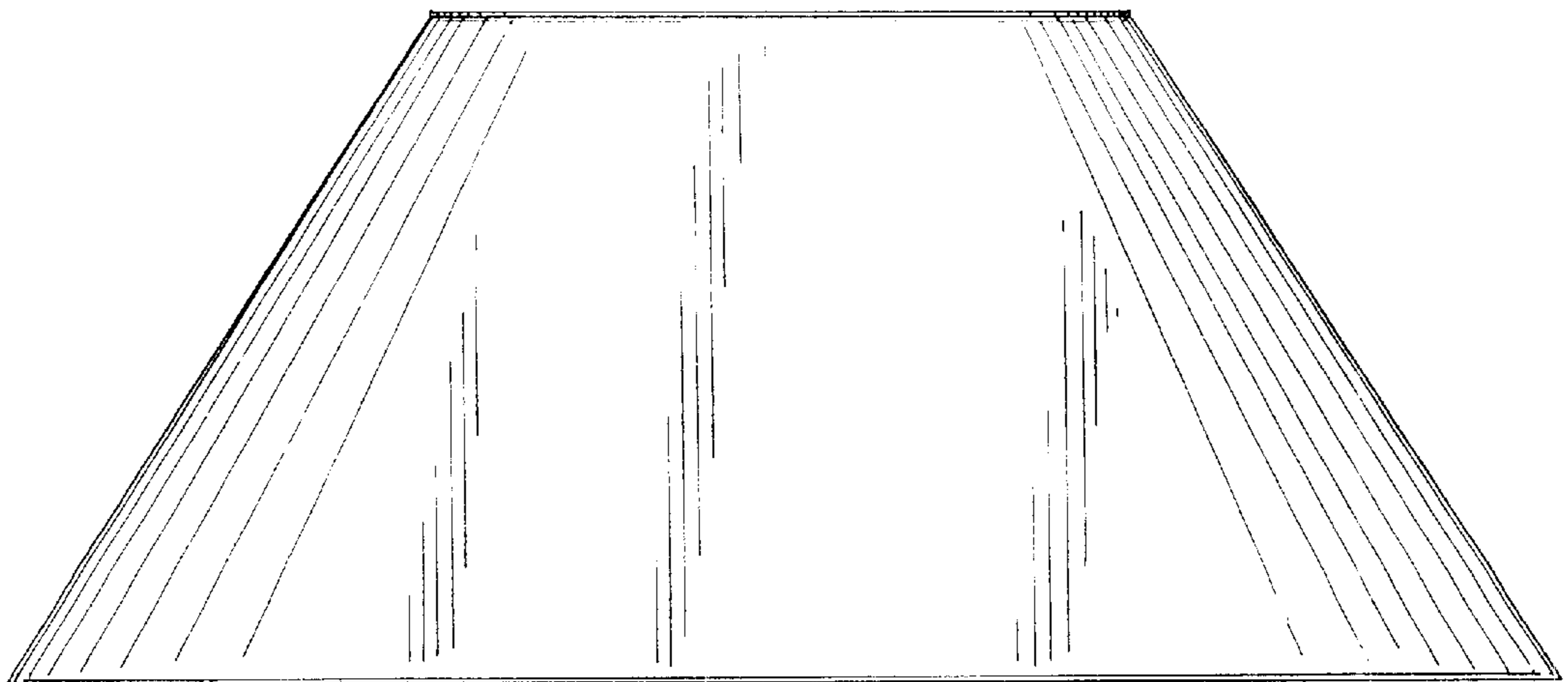


FIG. 5

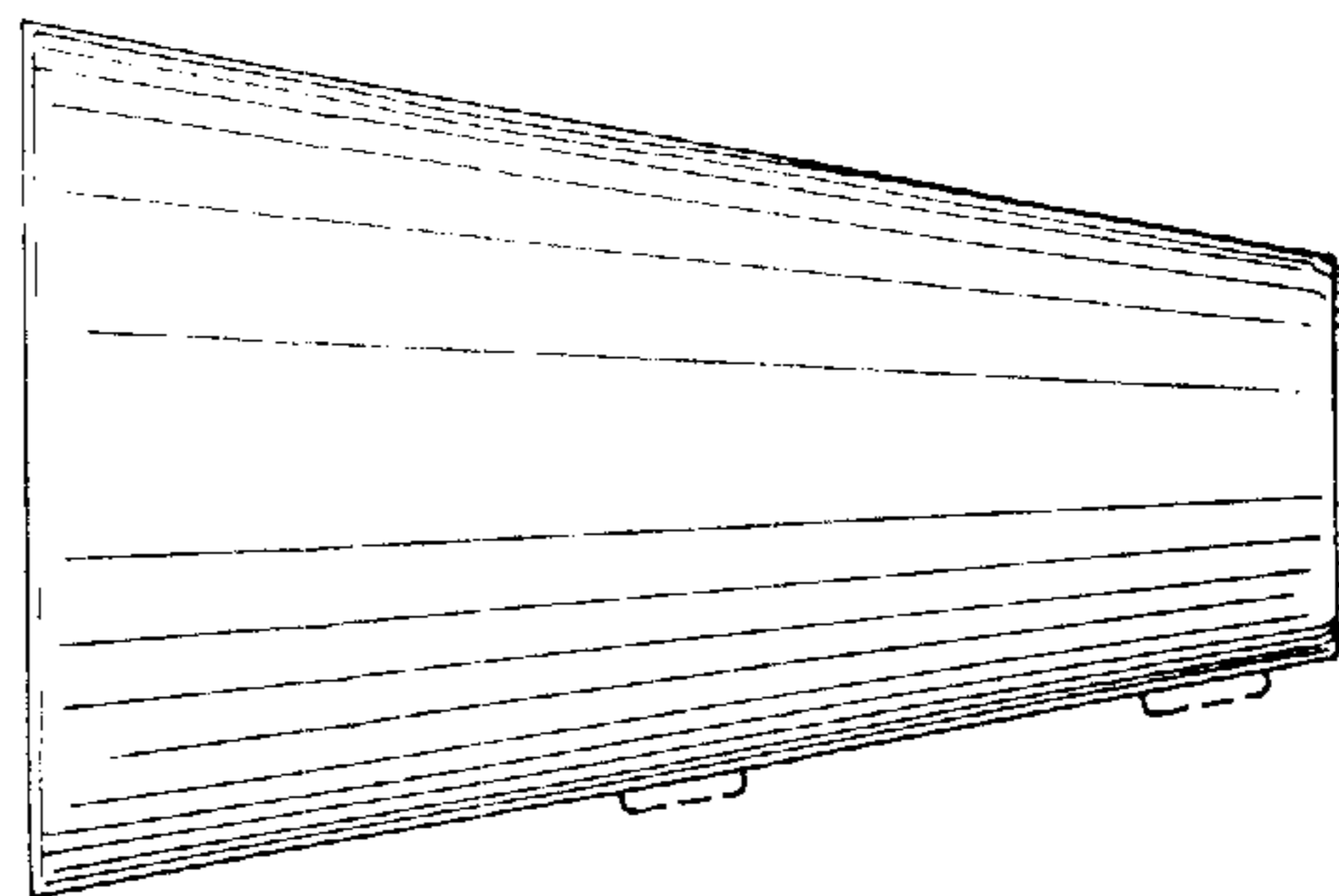


FIG. 6