



US00D458190S

(12) **United States Design Patent**
LeDonne

(10) **Patent No.:** **US D458,190 S**

(45) **Date of Patent:** **** Jun. 4, 2002**

(54) **COMMUNICATION SERVICE TRAILER**

D395,261 S * 6/1998 Puhl D12/102

(75) Inventor: **James P. LeDonne**, Bremen, IN (US)

* cited by examiner

(73) Assignee: **Coachcraft Mfg., LLC**, Mishawaka, IN (US)

Primary Examiner—Melody N. Brown

(74) *Attorney, Agent, or Firm*—James D. Hall; Ken C. Decker

(**) Term: **14 Years**

(57) **CLAIM**

(21) Appl. No.: **29/127,152**

The ornamental design for a communication service trailer, as shown and described.

(22) Filed: **Jul. 31, 2000**

DESCRIPTION

(51) **LOC (7) Cl.** **12-10**

(52) **U.S. Cl.** **D12/102**

(58) **Field of Search** D12/101-104,
D12/197; 296/136, 160; 280/418.6, 475,
204, 656, 763.1

FIG. 1 is a front perspective view of the communication service trailer showing my new design as seen from the front right;

FIG. 2 is a rear perspective view thereof as seen from the left rear;

FIG. 3 is a right side elevational view thereof;

FIG. 4 is a left side elevational view thereof;

FIG. 5 is a front elevational view thereof;

FIG. 6 is a rear elevational view thereof; and,

FIG. 7 is a top plan view thereof.

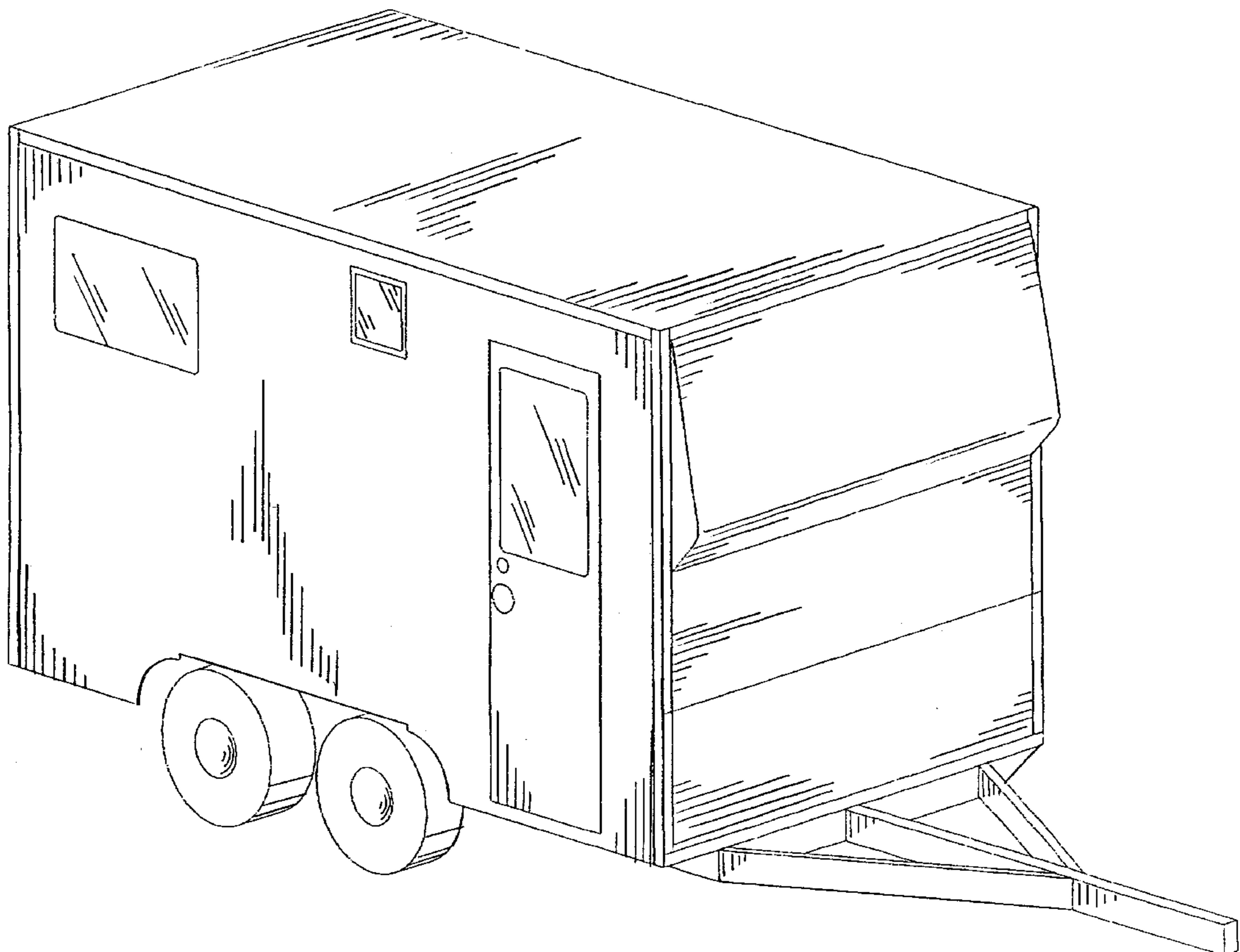
The bottom of the trailer is substantially unornamented.

(56) **References Cited**

U.S. PATENT DOCUMENTS

D219,510 S	*	12/1970	Tofani	D12/105
3,887,226 A	*	6/1975	Hart	296/26
D344,476 S	*	2/1994	Romesburg	D12/102
D352,920 S	*	11/1994	Gerring	D12/106
D354,023 S	*	1/1995	Romesburg	D12/102

1 Claim, 7 Drawing Sheets



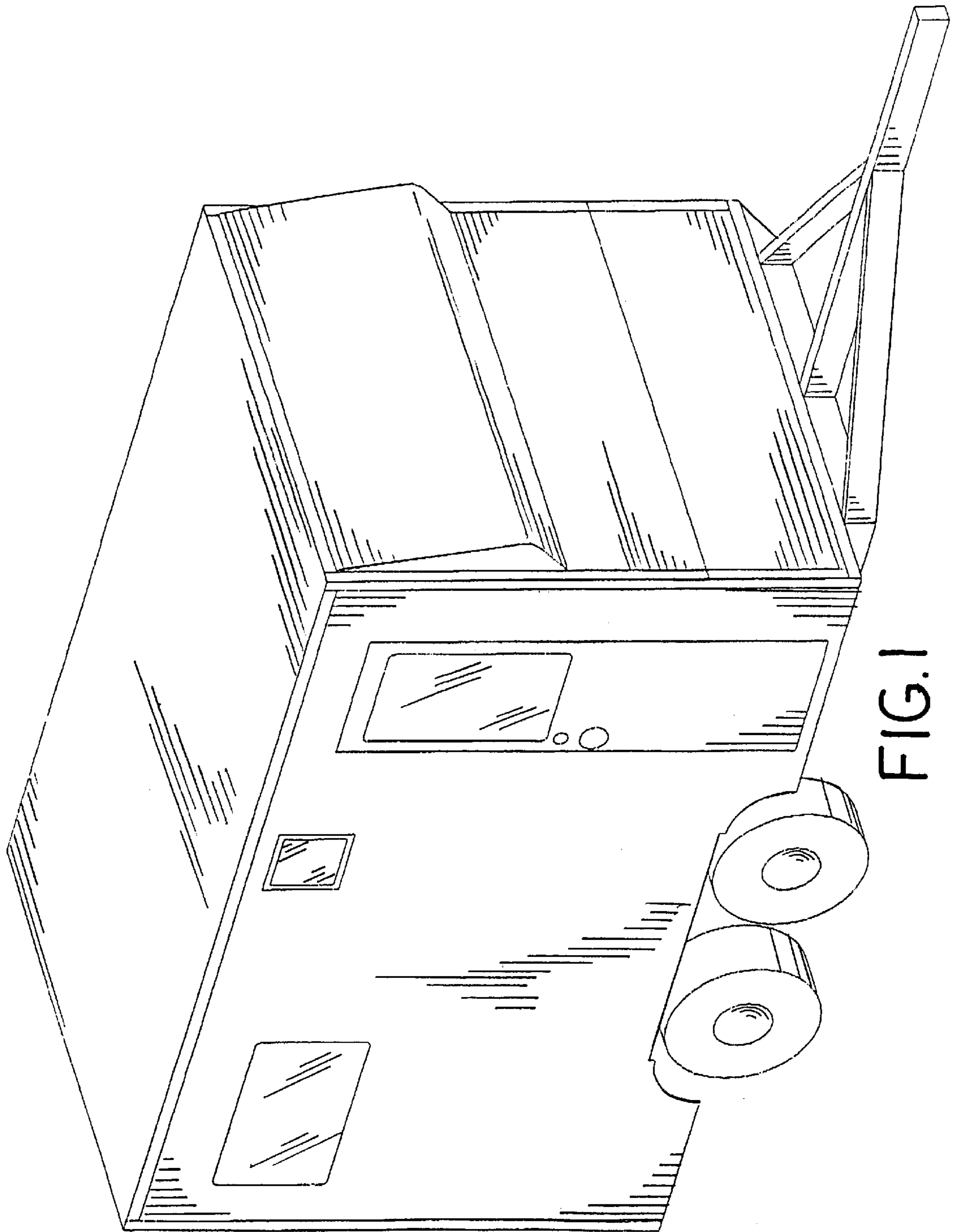


FIG. 1

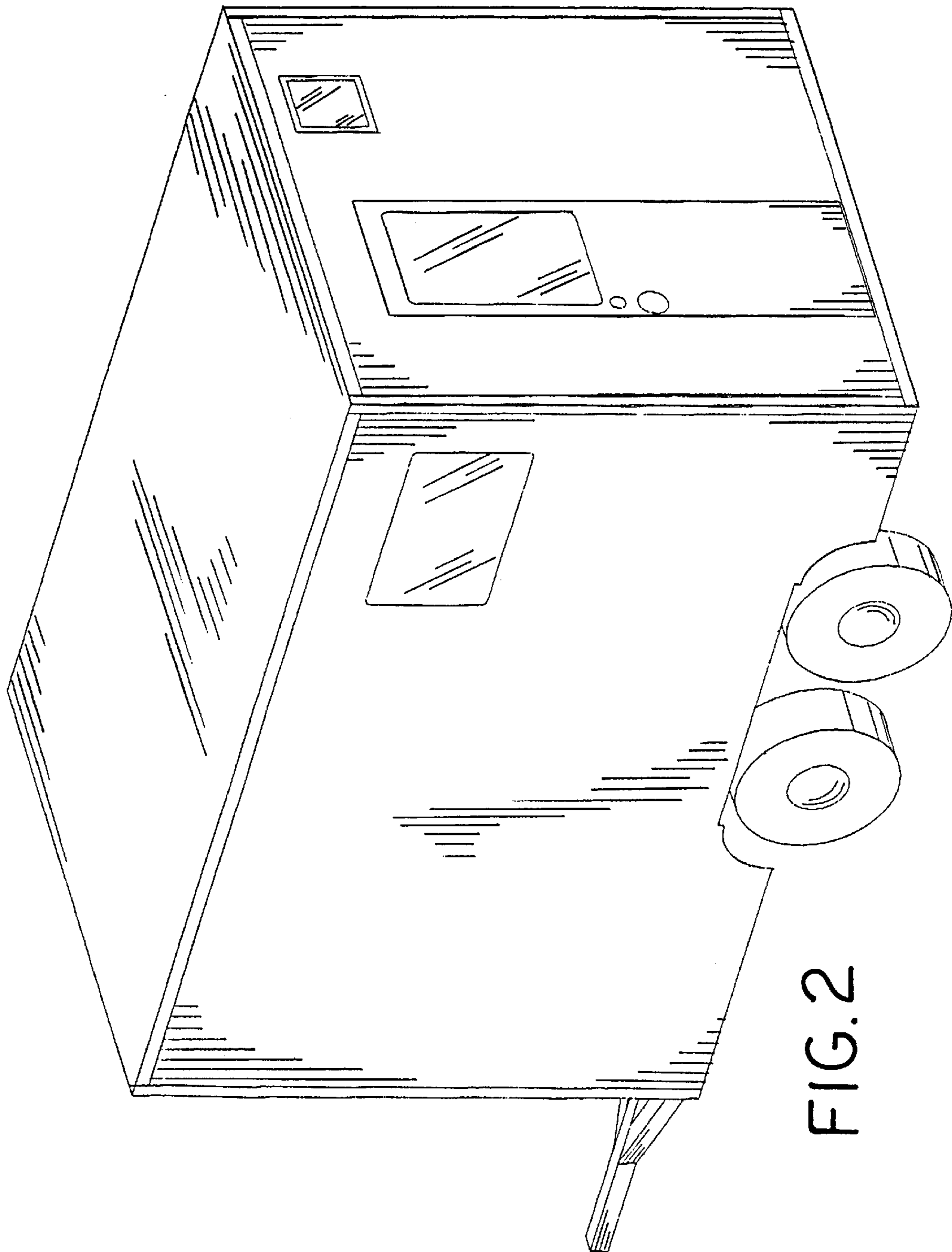


FIG. 2

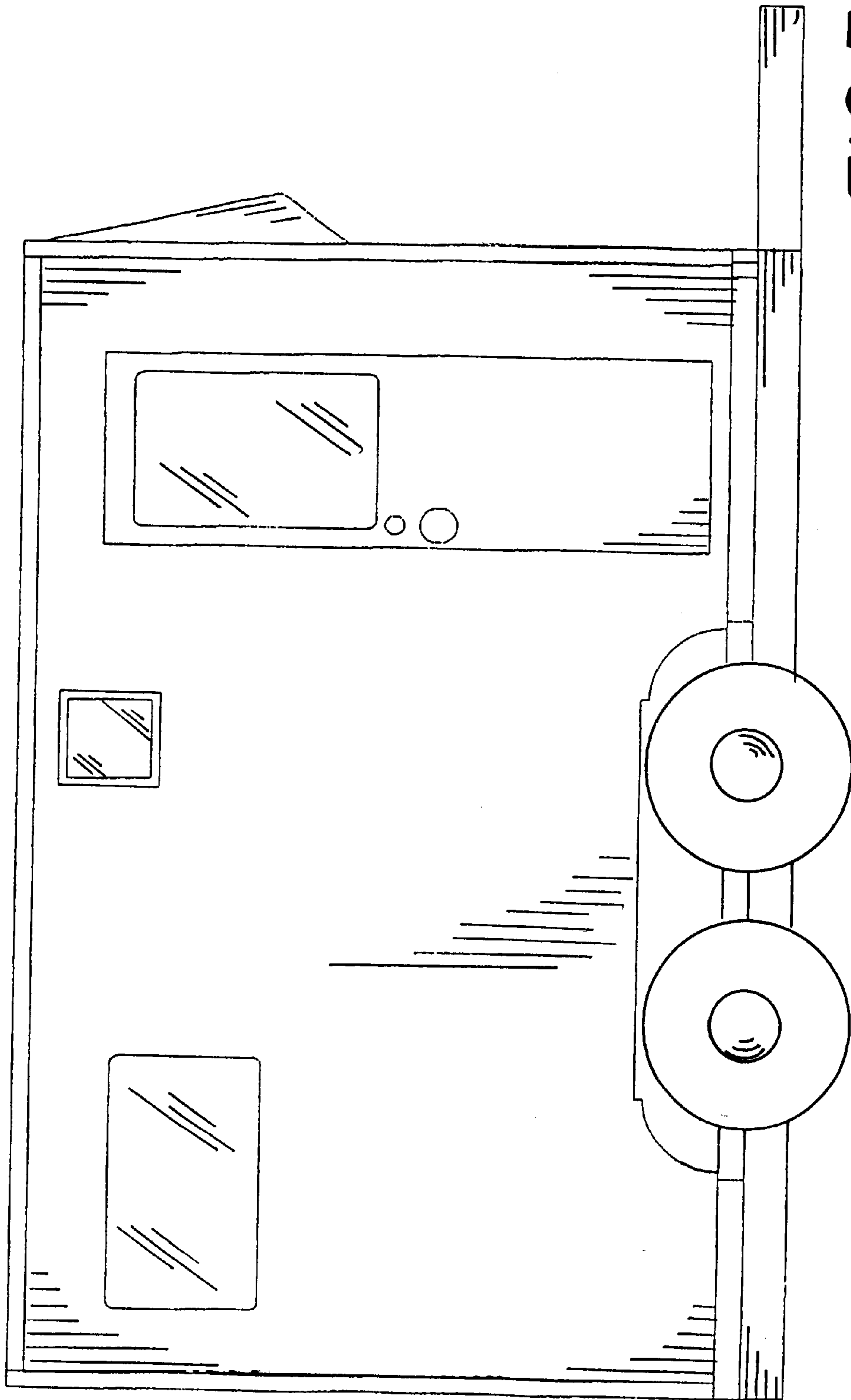


FIG. 3

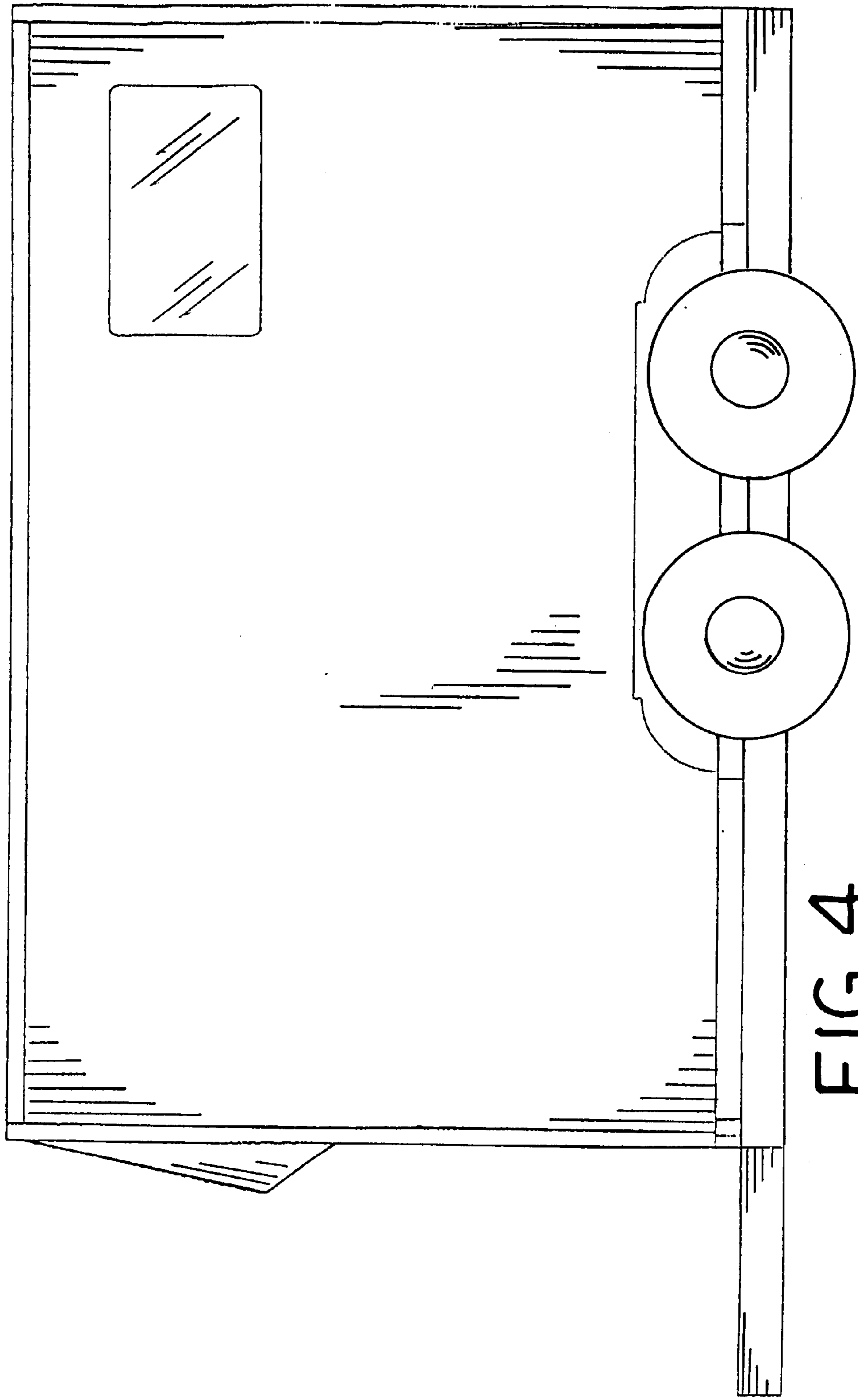


FIG. 4

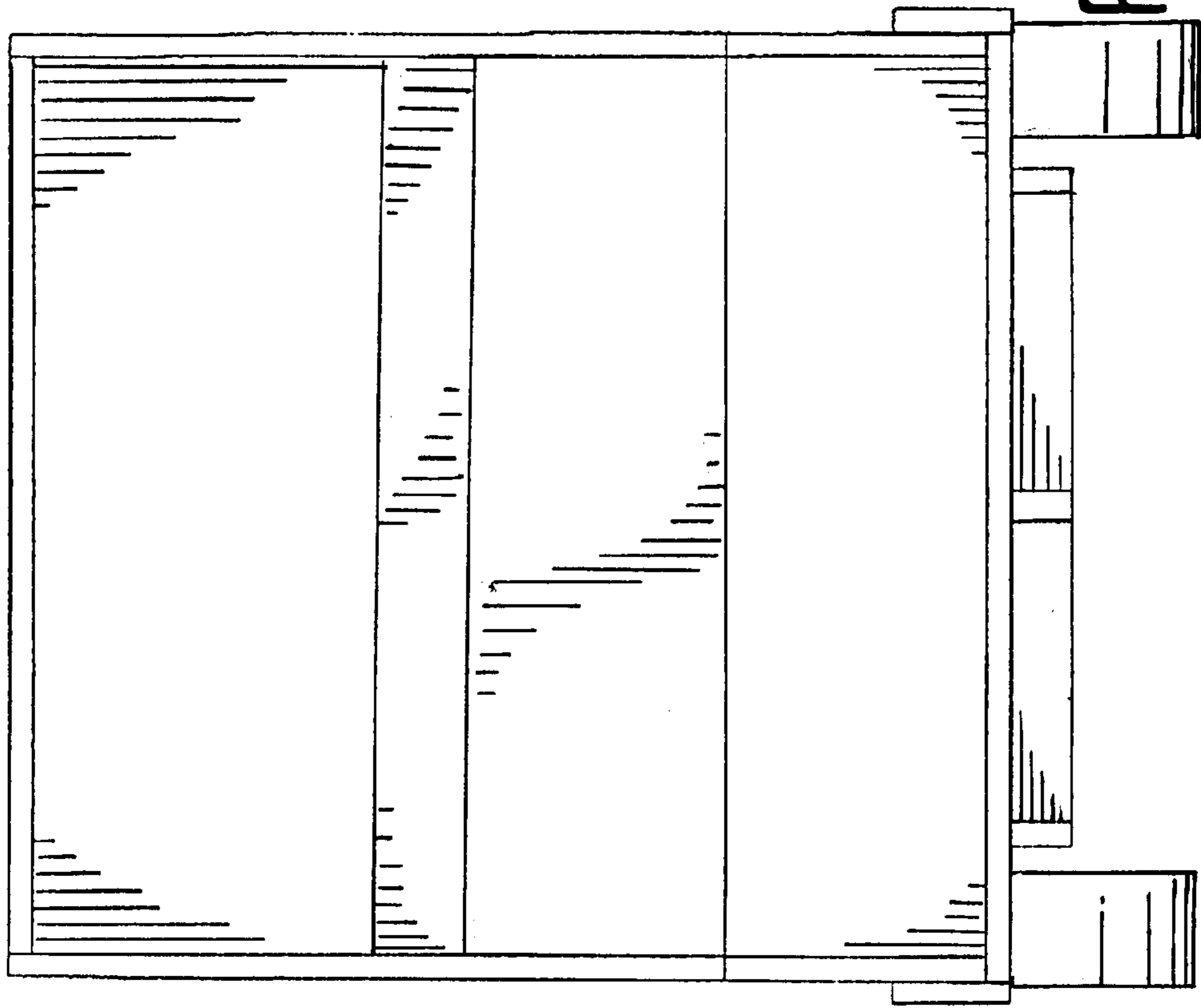


FIG. 5

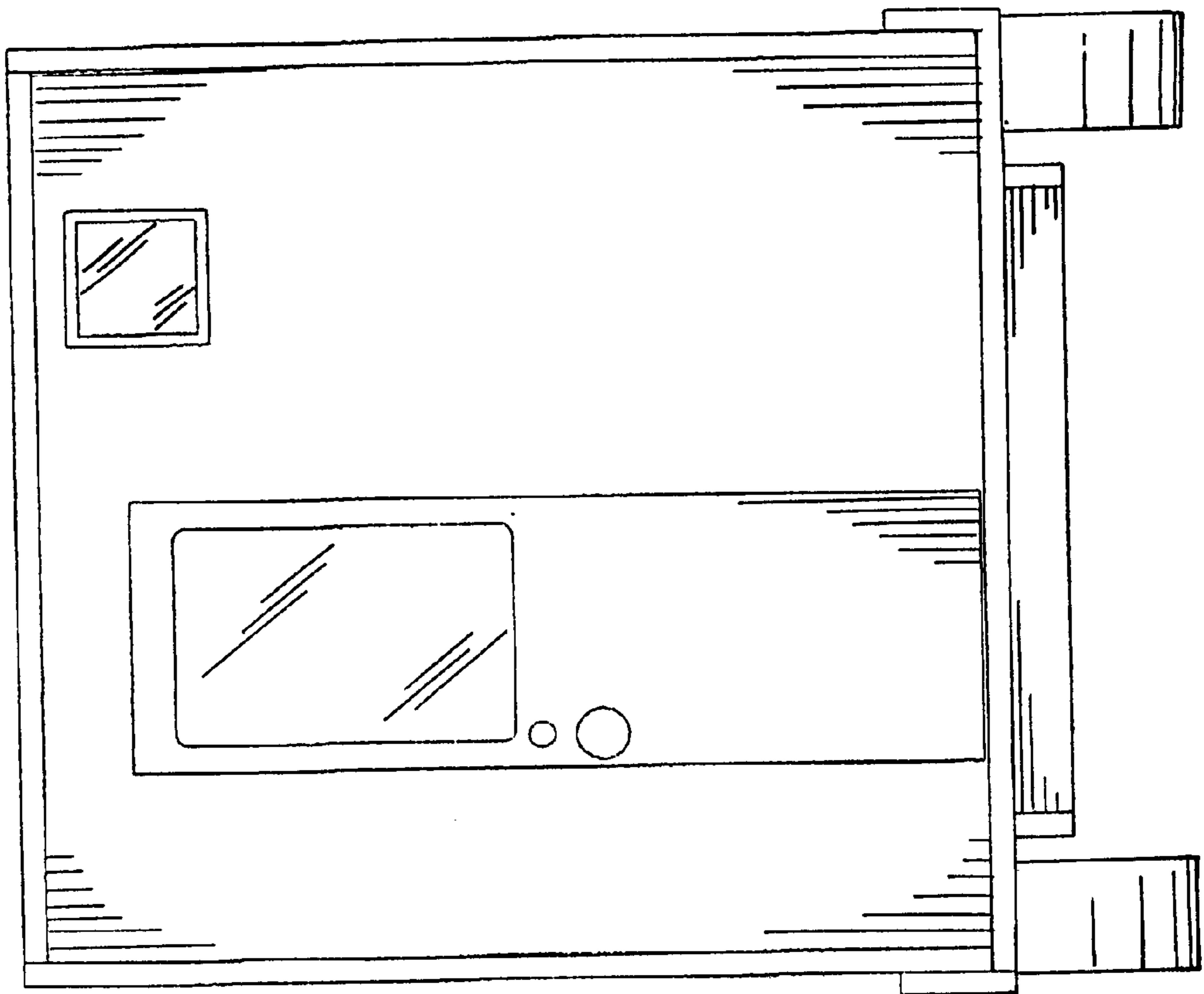


FIG. 6

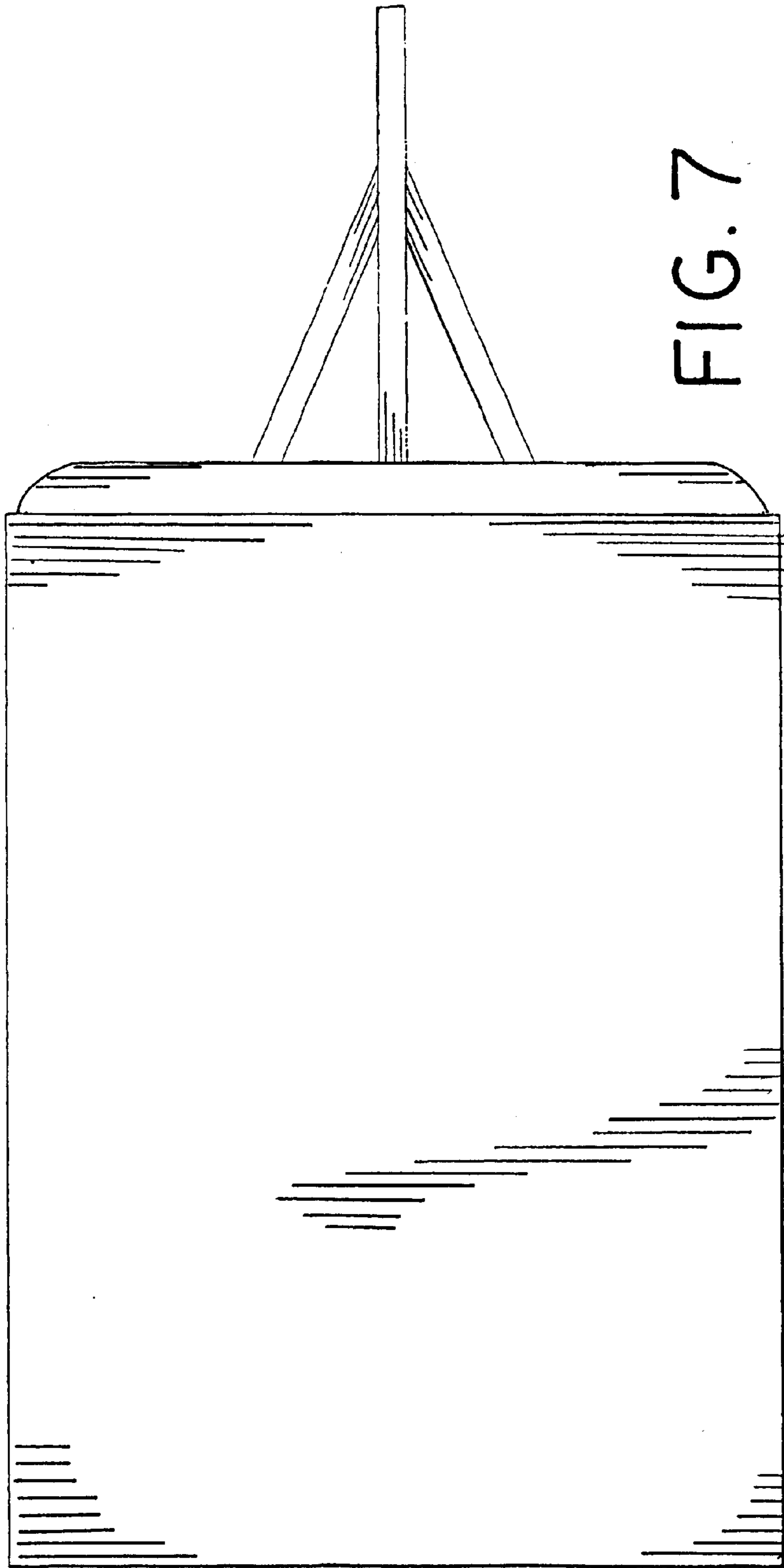


FIG. 7