



US00D458188S

(12) **United States Design Patent**  
**Wyszogrod et al.**

(10) **Patent No.:** **US D458,188 S**  
(45) **Date of Patent:** **\*\* Jun. 4, 2002**

(54) **VEHICLE EXTERIOR**

(75) Inventors: **Jose N. Wyszogrod**, Los Angeles;  
**William Yex**, Redondo Beach; **Bernard G. Lee**, Los Angeles, all of CA (US)

(73) Assignee: **Honda Giken Kogyo Kabushiki Kaisha**, Tokyo (JP)

(\*\*) Term: **14 Years**

(21) Appl. No.: **29/138,541**

(22) Filed: **Mar. 16, 2001**

(51) **LOC (7) Cl.** ..... **12-08**

(52) **U.S. Cl.** ..... **D12/90**

(58) **Field of Search** ..... D12/90-92, 86;  
296/185

(56) **References Cited**

**U.S. PATENT DOCUMENTS**

- D374,415 S \* 10/1996 Thomson ..... D12/91
- D406,794 S \* 3/1999 Minowa et al. .... D12/91
- D416,519 S \* 11/1999 Won et al. .... D12/91
- D440,185 S \* 4/2001 Desmond ..... D12/91

D446,752 S \* 8/2001 Akashi et al. .... D12/91

\* cited by examiner

*Primary Examiner*—Melody N. Brown

(74) *Attorney, Agent, or Firm*—Banner & Witcoff, Ltd.

(57) **CLAIM**

The ornamental design for a vehicle exterior, as shown and described.

**DESCRIPTION**

FIG. 1 is a front perspective view of a vehicle exterior showing our new design;

FIG. 2 is a rear perspective view thereof;

FIG. 3 is a side elevational view, the opposite side being a mirror image thereof;

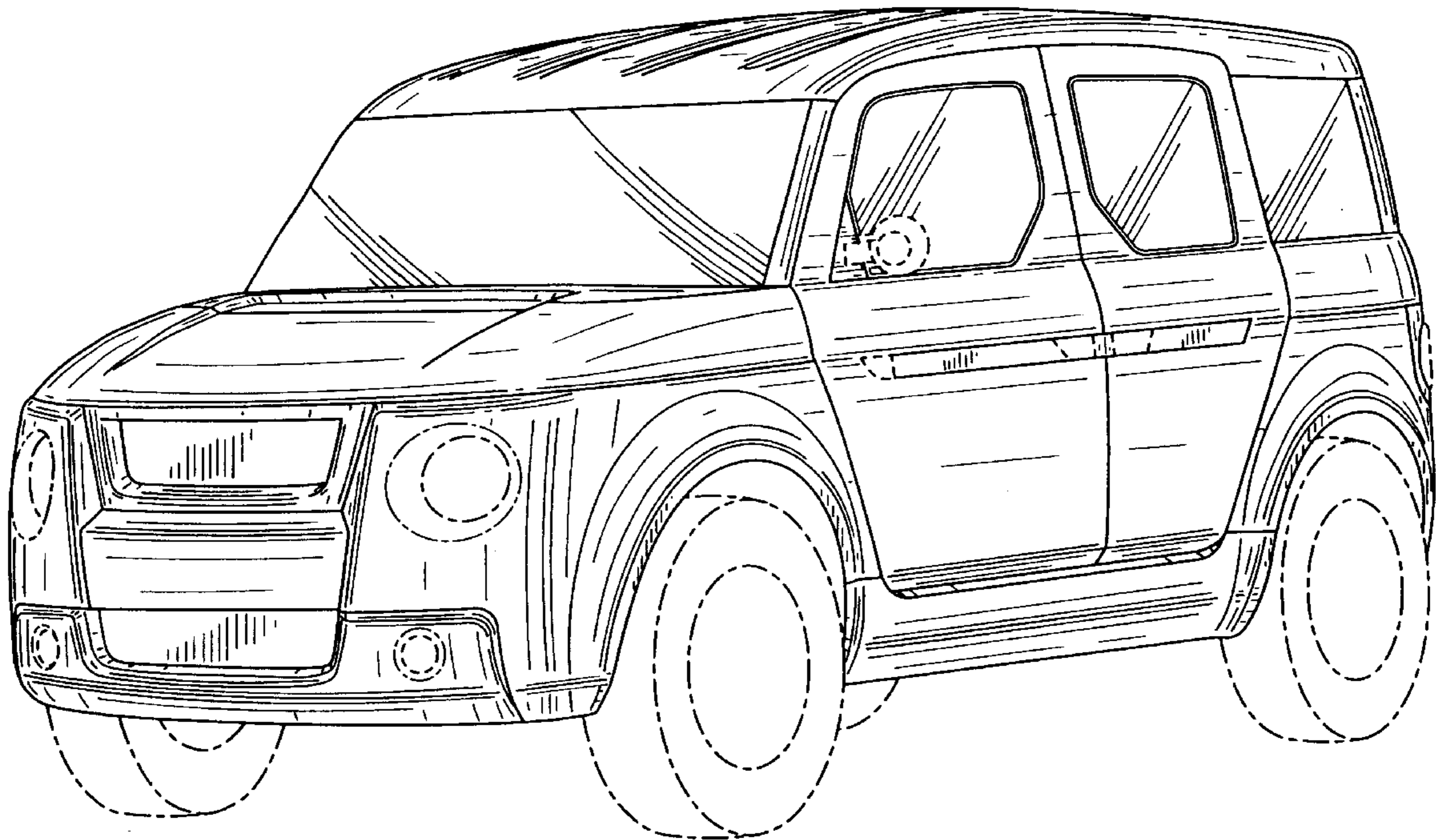
FIG. 4 is a front elevational view thereof;

FIG. 5 is a rear elevational view thereof; and,

FIG. 6 is a top plan view thereof.

The broken line showing of the head lamps, front parking lights, wheels and tires, rear view mirrors, door handles, portions of the door molding, tail lamps, license plate mount and two rear lights and the rear bumper element is for illustrative purposes only and forms no part of the claimed design.

**1 Claim, 6 Drawing Sheets**



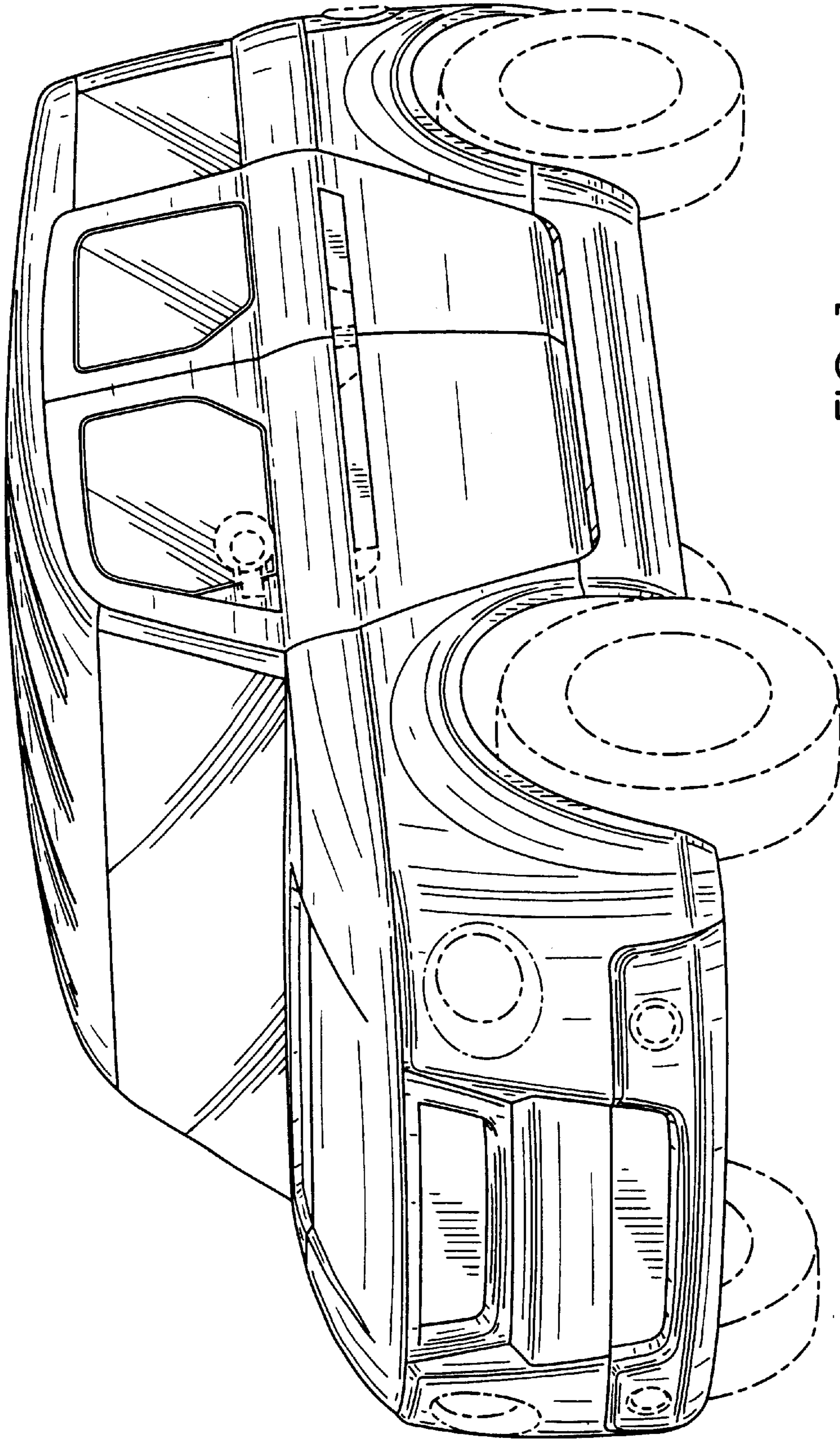


FIG. 1

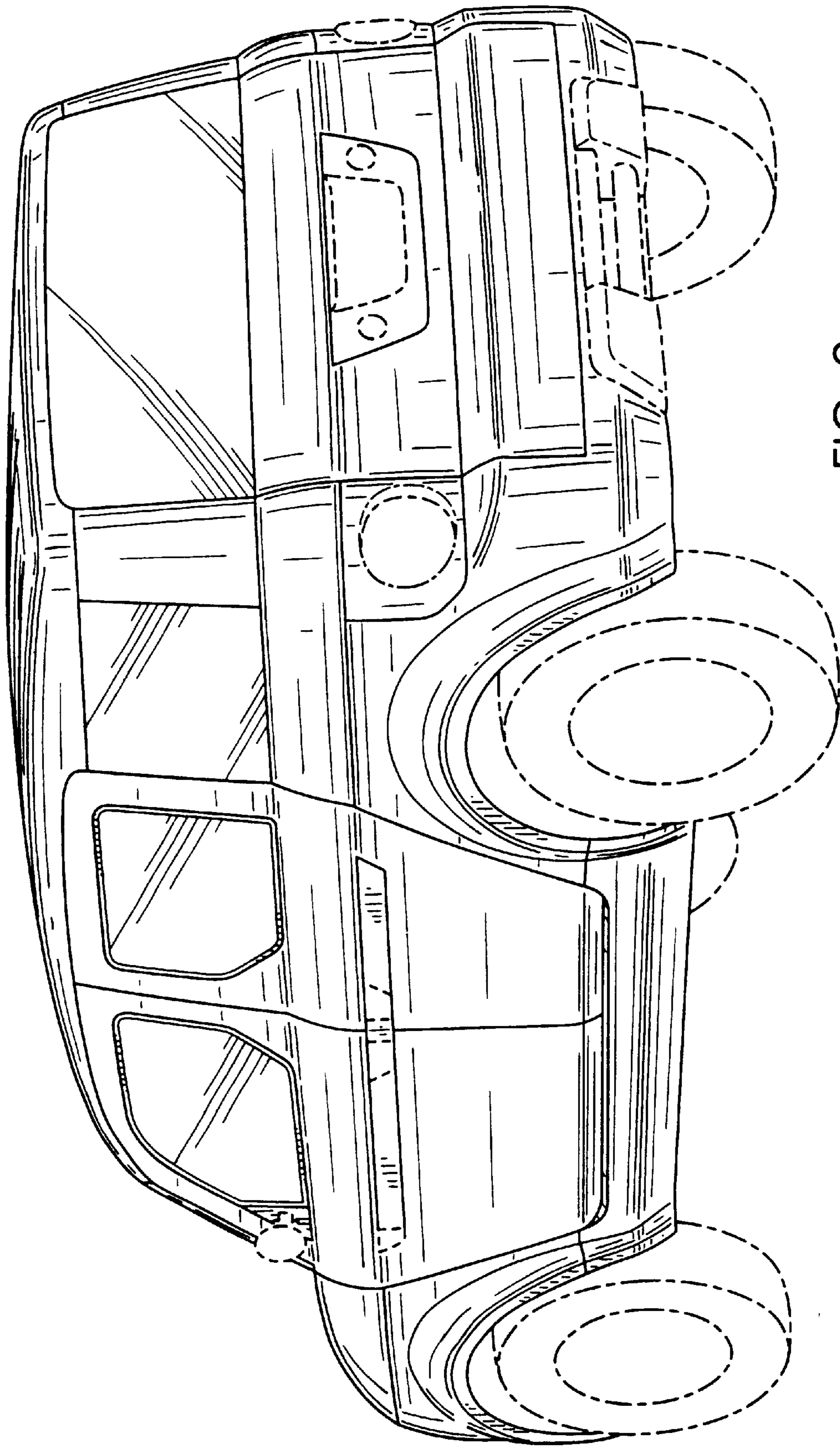


FIG. 2



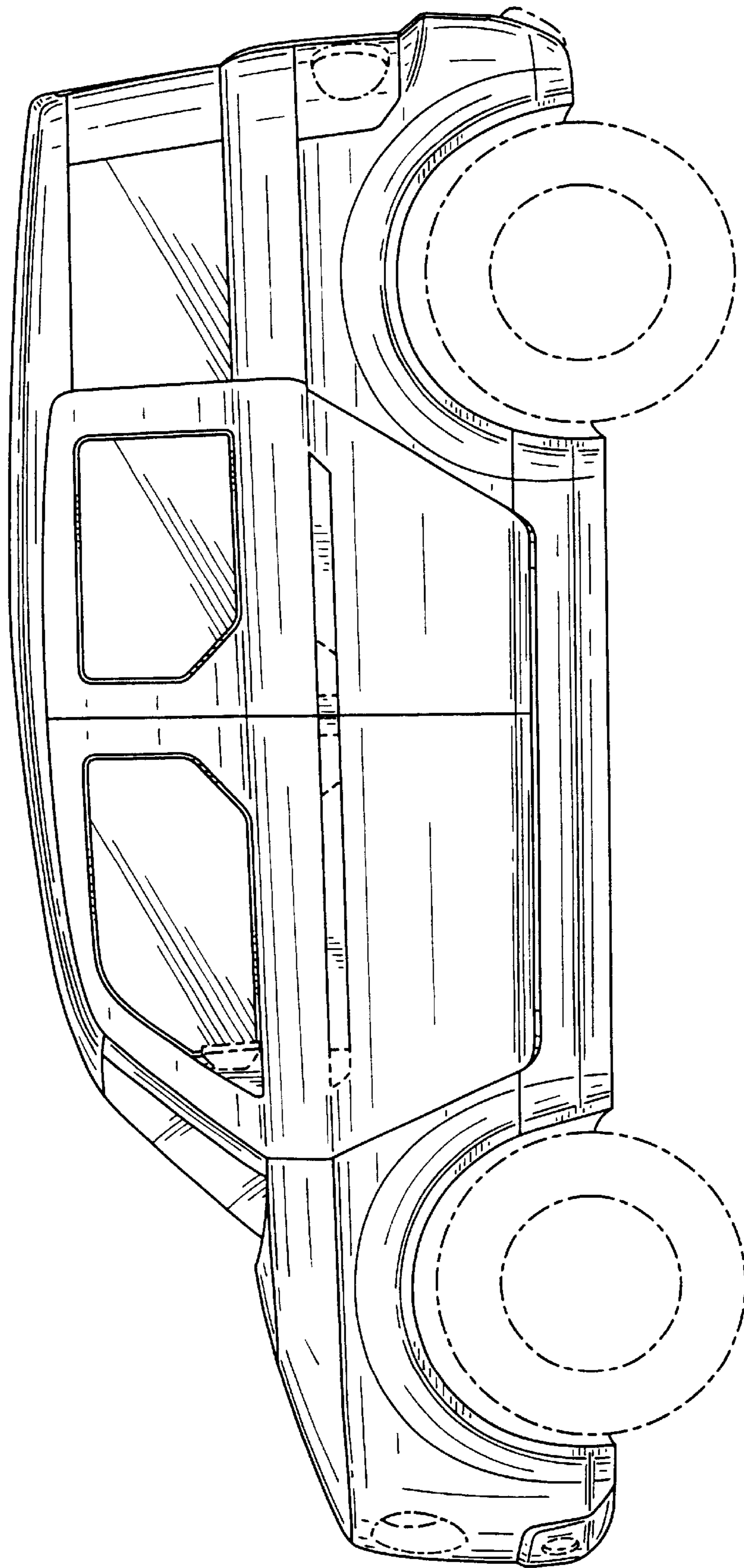


FIG. 3

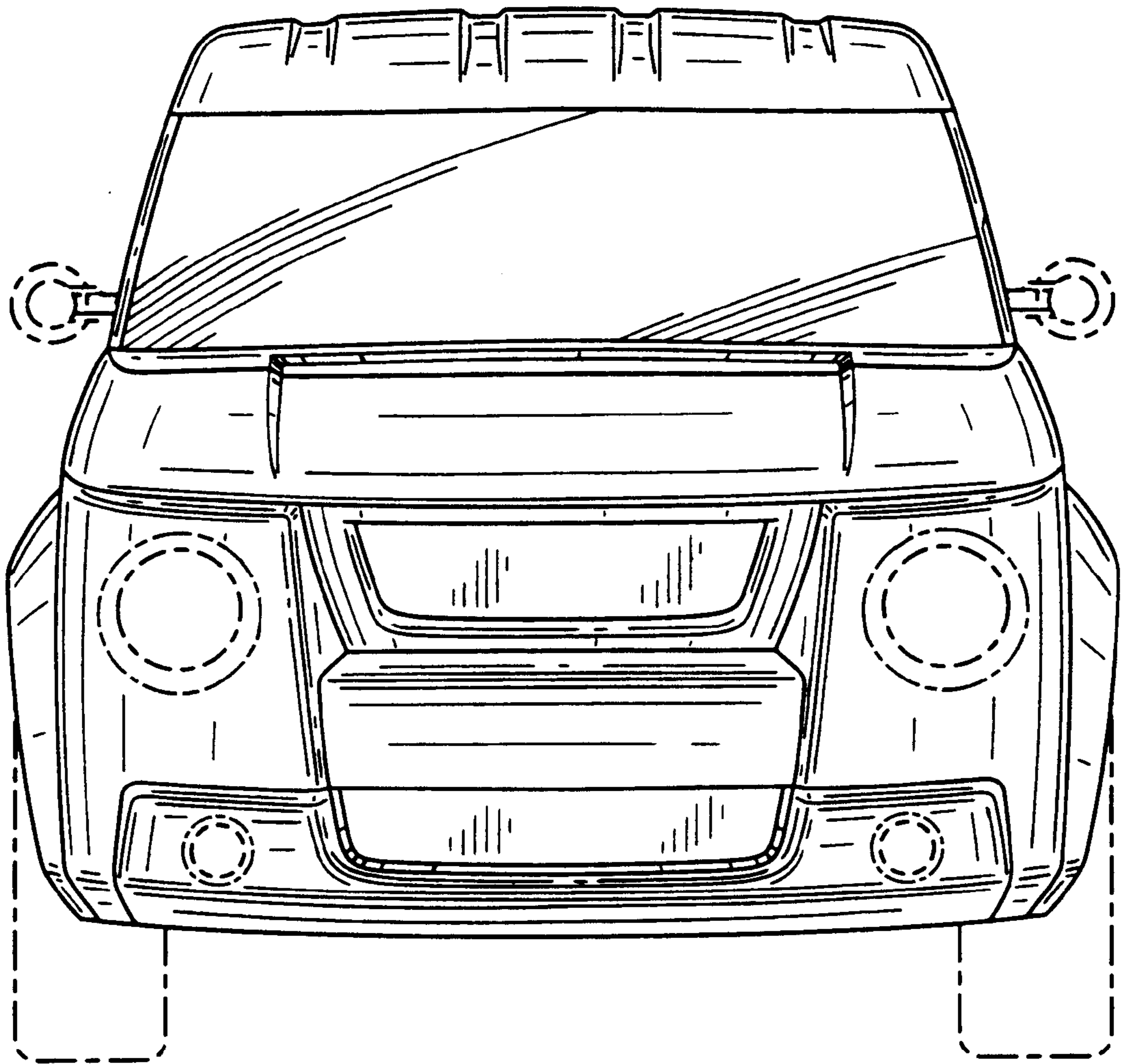


FIG. 4

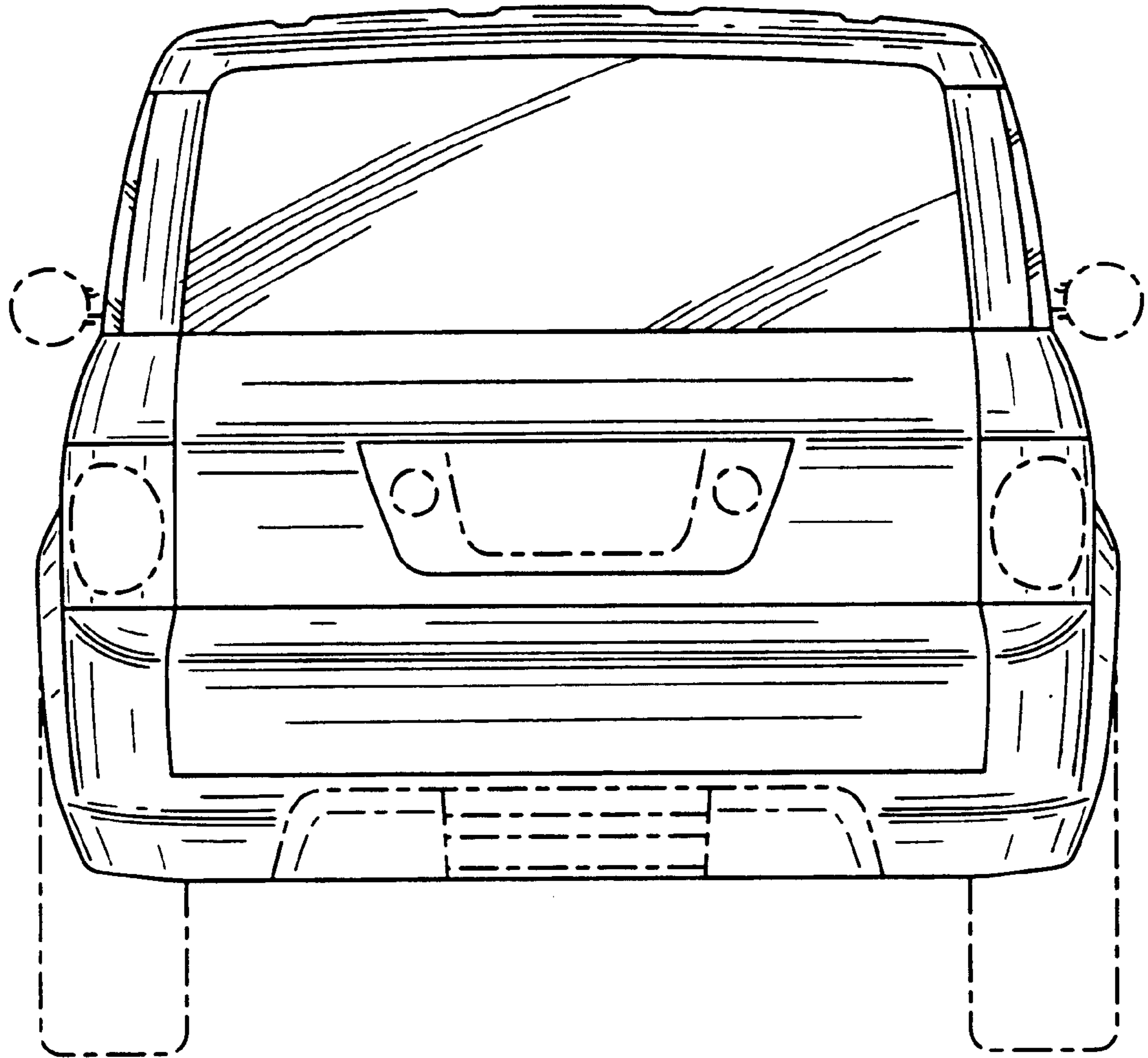


FIG. 5

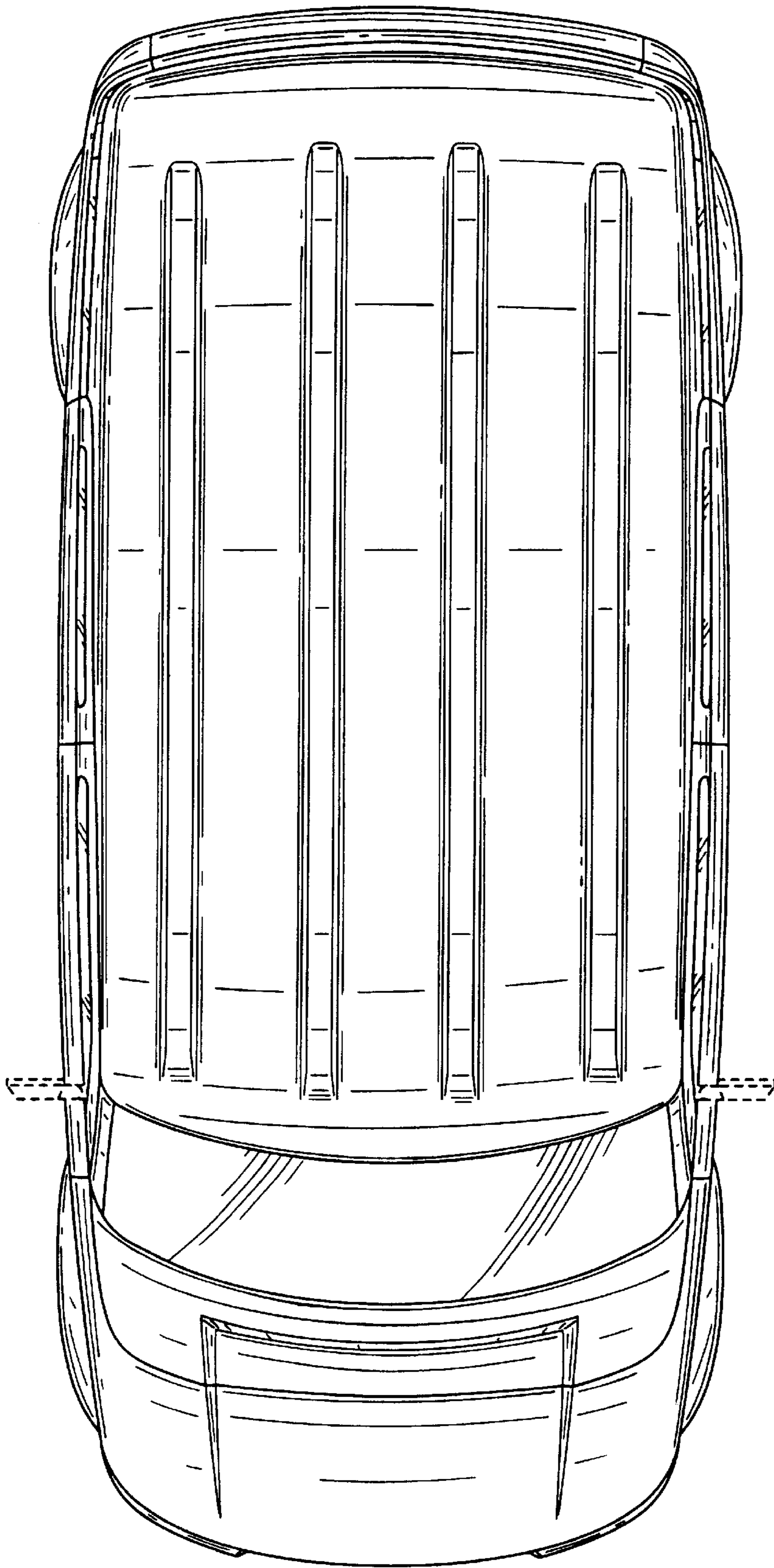


FIG. 6